



US00D960432S

(12) **United States Design Patent** (10) **Patent No.:** **US D960,432 S**
Abboud et al. (45) **Date of Patent:** **** Aug. 9, 2022**

- (54) **HOOKAH**
- (71) Applicants: **Christopher Abboud**, Lake Forest, CA (US); **Wael Elhalwani**, Lake Forest, CA (US)
- (72) Inventors: **Christopher Abboud**, Lake Forest, CA (US); **Wael Elhalwani**, Lake Forest, CA (US)
- (73) Assignee: **Starbuzz® Tobacco, Inc.**, Lake Forest, CA (US)

D742,587 S	11/2015	Masri	
D754,392 S *	4/2016	Helou	D27/162
D754,914 S *	4/2016	Helou	D27/162
D754,915 S *	4/2016	Helou	D27/162
D755,439 S *	5/2016	Helou	D27/162
D757,355 S *	5/2016	al Arja	D27/162
D757,998 S *	5/2016	Elhalwani	D27/162
D758,001 S *	5/2016	Elhalwani	D27/162
D758,002 S *	5/2016	Elhalwani	D27/162
D844,231 S *	3/2019	Klimczyk	D27/162
D854,740 S *	7/2019	Opp	D27/162
2020/0236991 A1 *	7/2020	Hilala	A24F 1/30
2021/0219603 A1 *	7/2021	Jajati	A24F 1/30

- (**) Term: **15 Years**
- (21) Appl. No.: **29/736,036**
- (22) Filed: **May 27, 2020**
- (51) **LOC (13) Cl.** **27-02**
- (52) **U.S. Cl.**
USPC **D27/162**
- (58) **Field of Classification Search**
USPC D27/162, 100, 103, 163–165, 167, 168, D27/169, 180, 183, 194; D23/360; D11/152, 154, 157
CPC A24F 1/30; A24F 1/02; A24F 1/00; A24F 47/008; A24F 47/002; A61M 15/00
See application file for complete search history.

OTHER PUBLICATIONS

Hookah, By: Get Funky found on Amazon Sep. 11, 2021 https://www.amazon.com/Hookah-Get-Funky-Acrylic-Silicone/dp/B08R3C1QSF/ref=sr_ Feb. 28, 2021.*

* cited by examiner

Primary Examiner — Rebecca Tsehaye
(74) *Attorney, Agent, or Firm* — Kirk A. Buhler; Buhler & Associates Patenting

(57) **CLAIM**

The ornamental design for a hookah, as shown and described.

DESCRIPTION

FIG. 1 is a top perspective view of hookah, showing our new design;
FIG. 2 is a front elevation view thereof;
FIG. 3 is a rear elevation view thereof;
FIG. 4 is a left side elevation view thereof;
FIG. 5 is a right-side elevation view thereof;
FIG. 6 is a top plan view thereof; and,
FIG. 7 is a bottom view thereof.
The broken lines depict portions of the hookah that form no part of the claimed design.

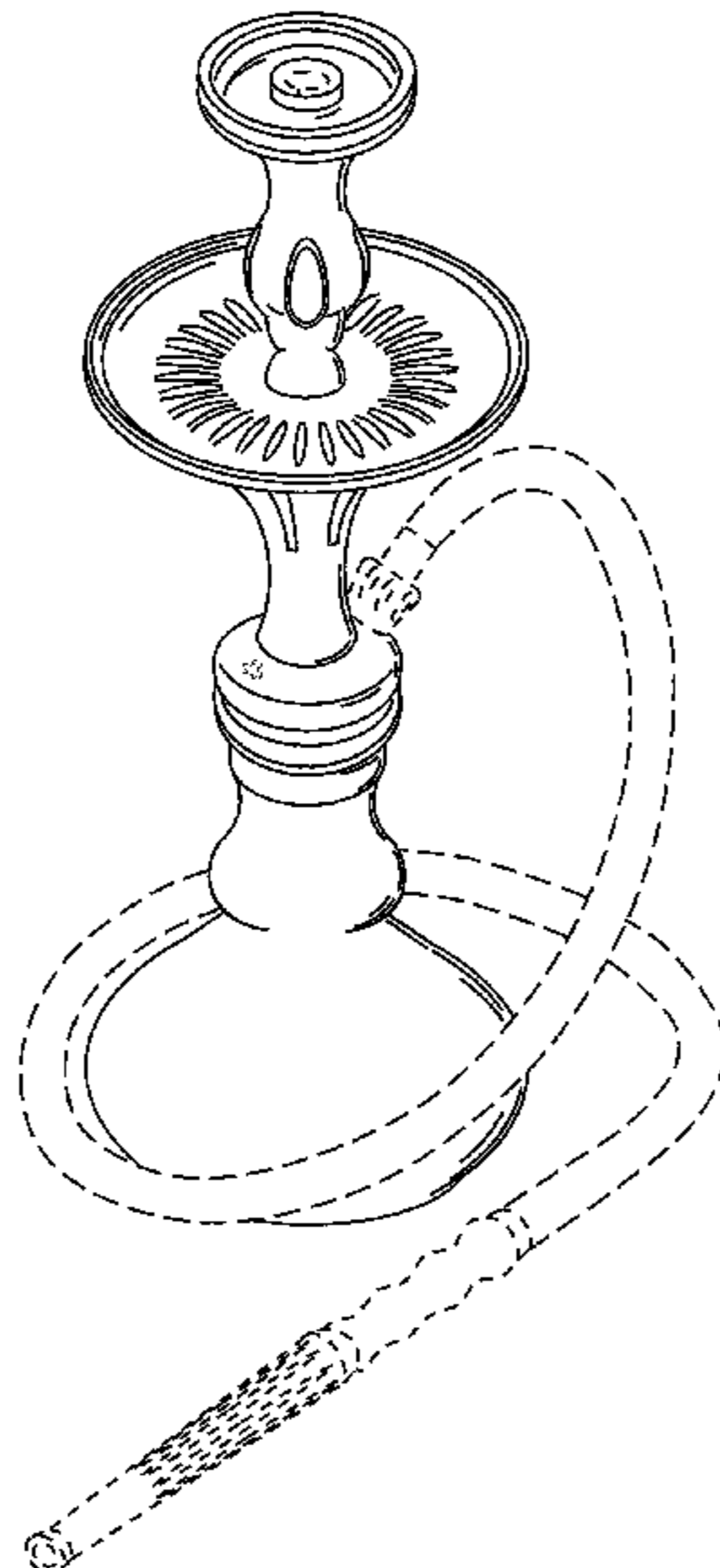
(56) **References Cited**

U.S. PATENT DOCUMENTS

D539,978 S	4/2007	Kassir	
D547,489 S *	7/2007	Kassir	D27/162
D547,902 S *	7/2007	Kassir	D27/162
D548,398 S	8/2007	Chaoui	
D554,797 S *	11/2007	Kassir	D27/162
D558,919 S	1/2008	Kassir	
D561,388 S	2/2008	Kassir	
D584,853 S	1/2009	Kassir	
8,479,746 B1 *	7/2013	Tannous	A24F 1/30

131/243

1 Claim, 7 Drawing Sheets



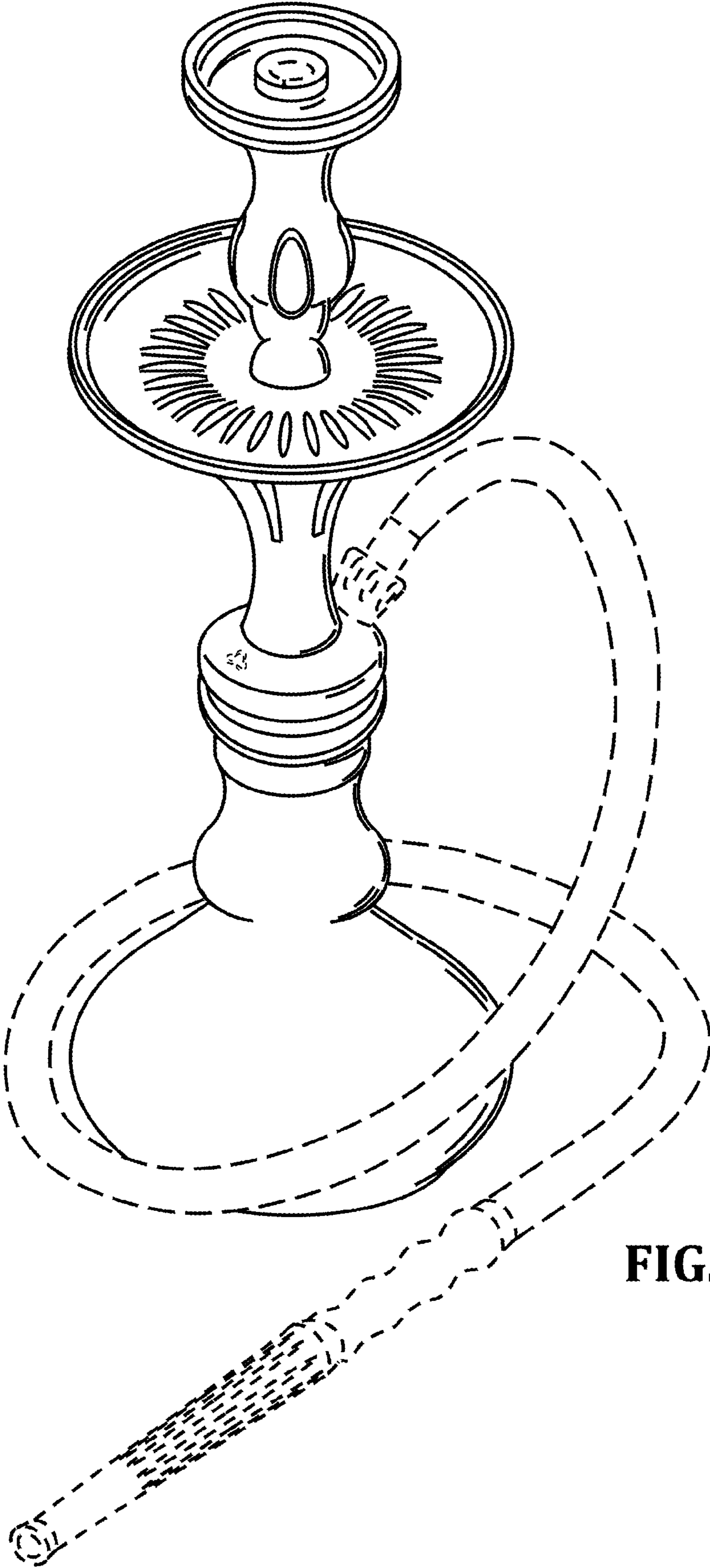


FIG. 1

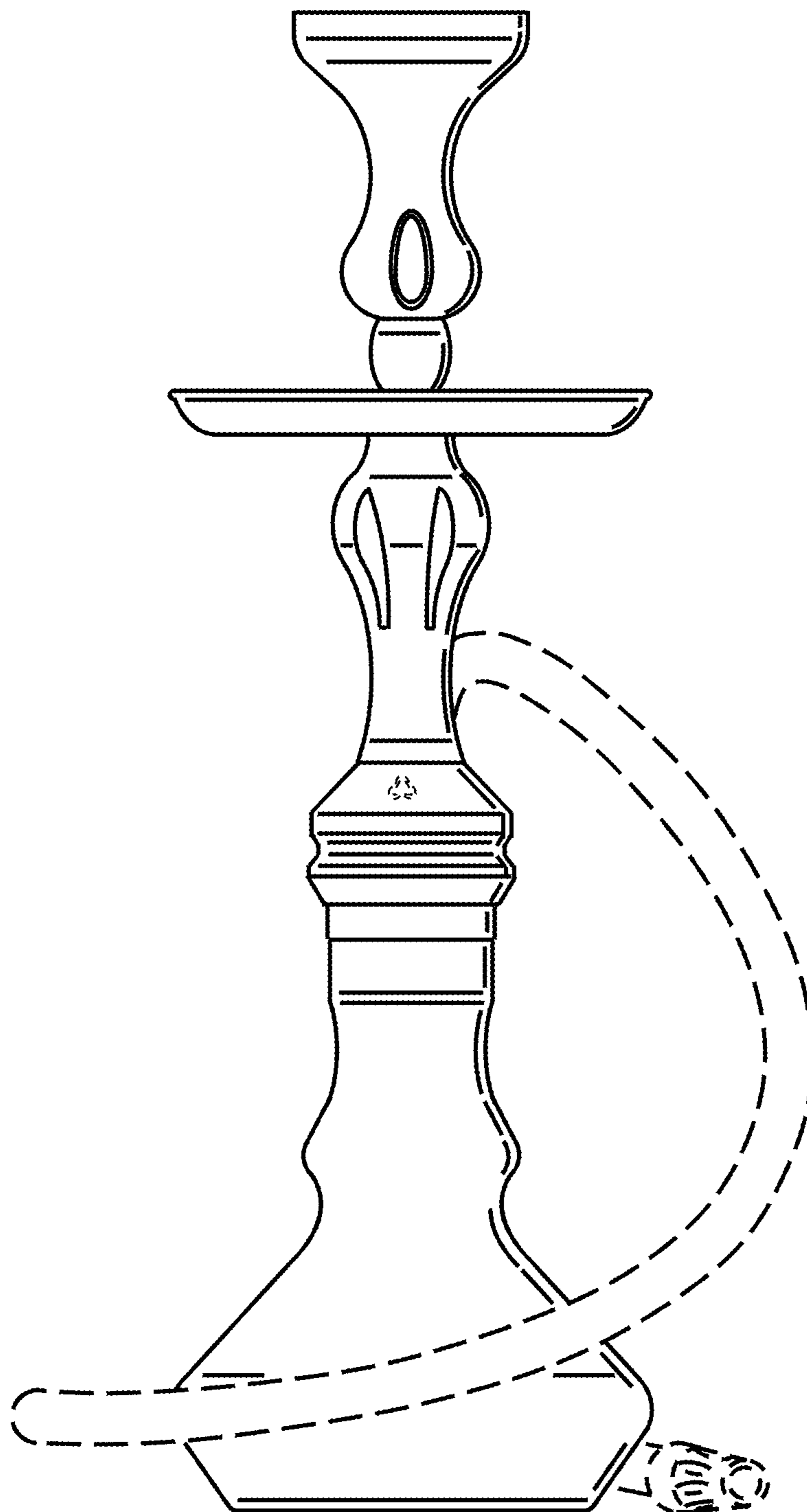


FIG. 2

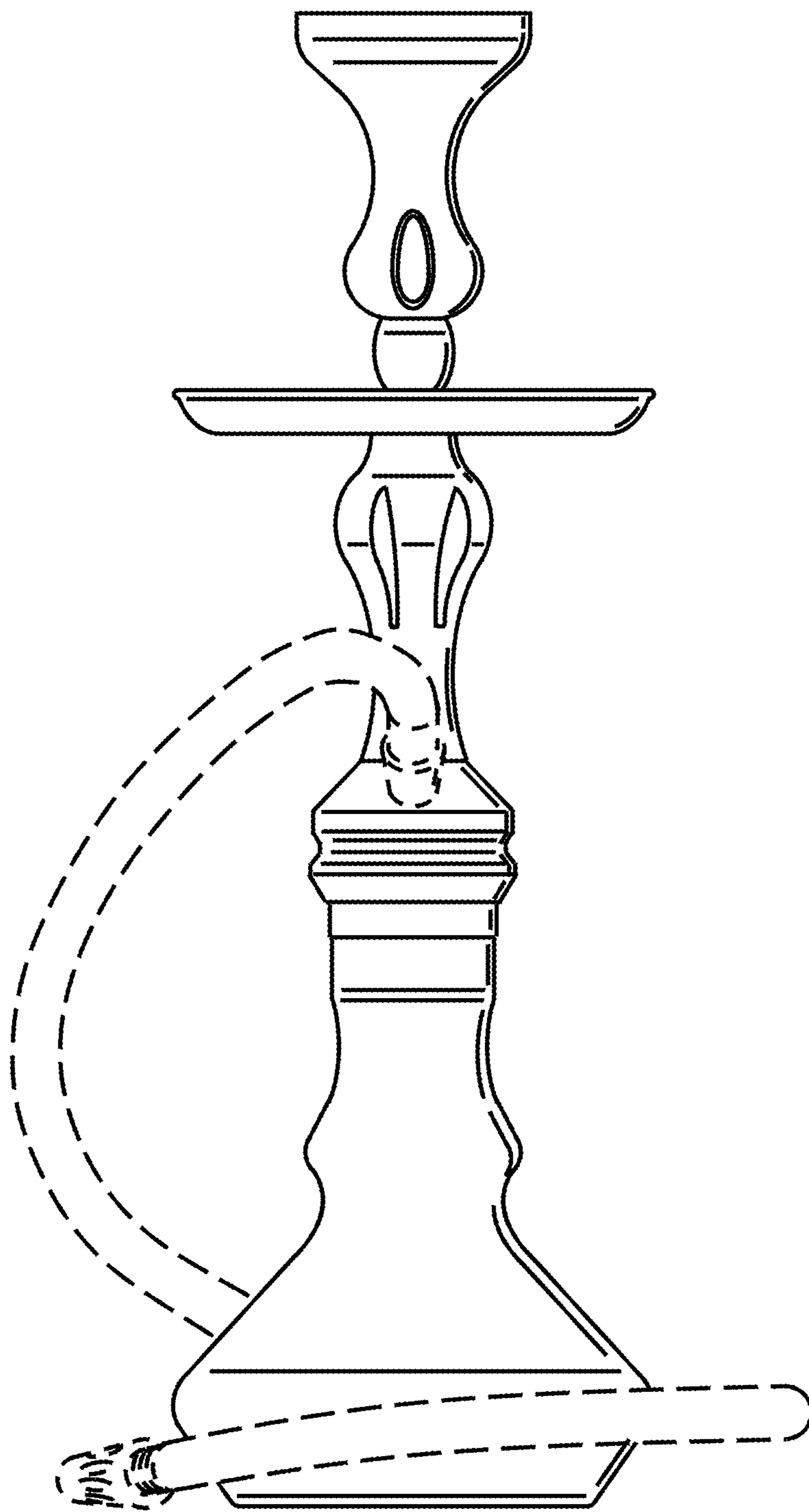


FIG. 3

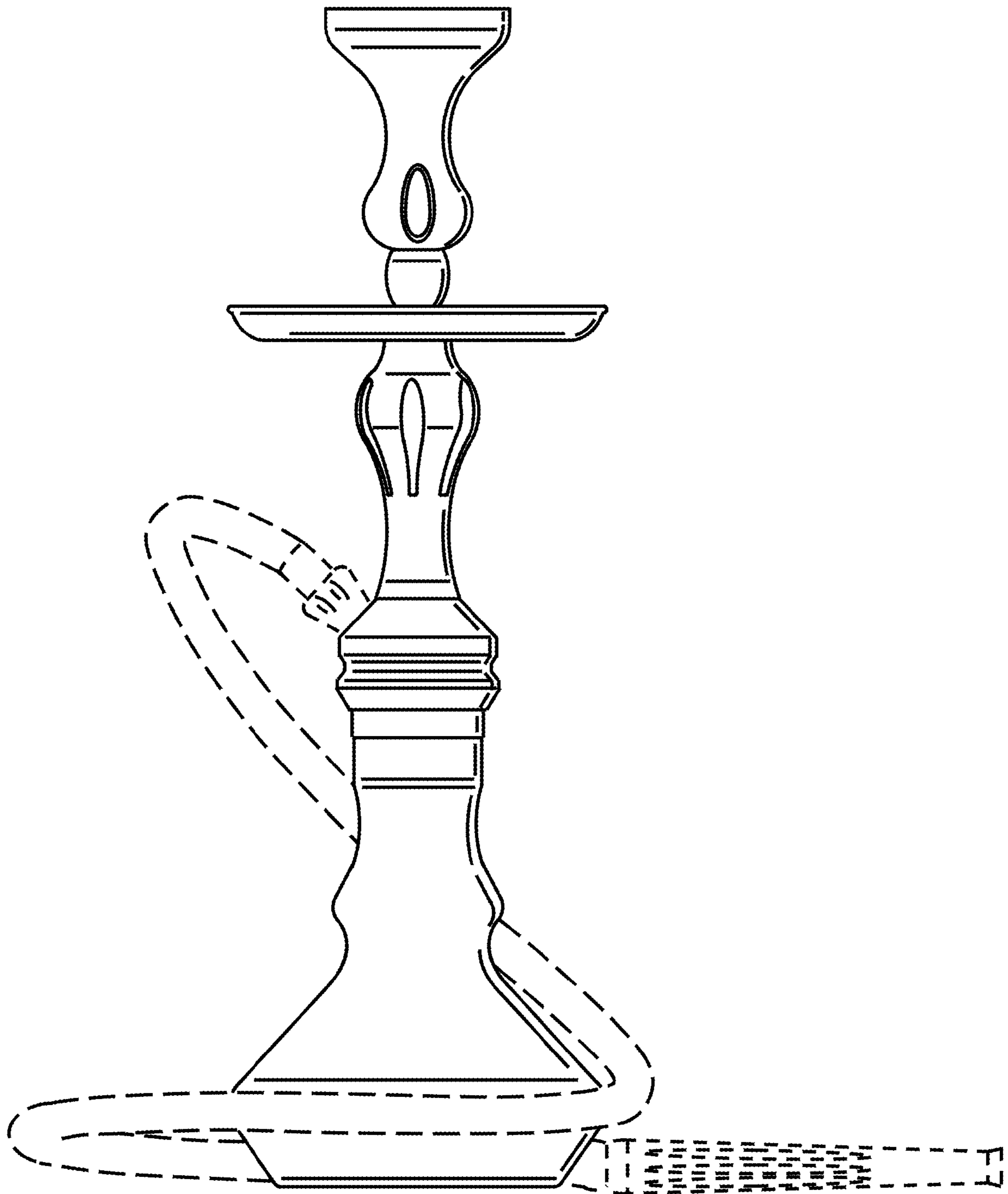


FIG. 4

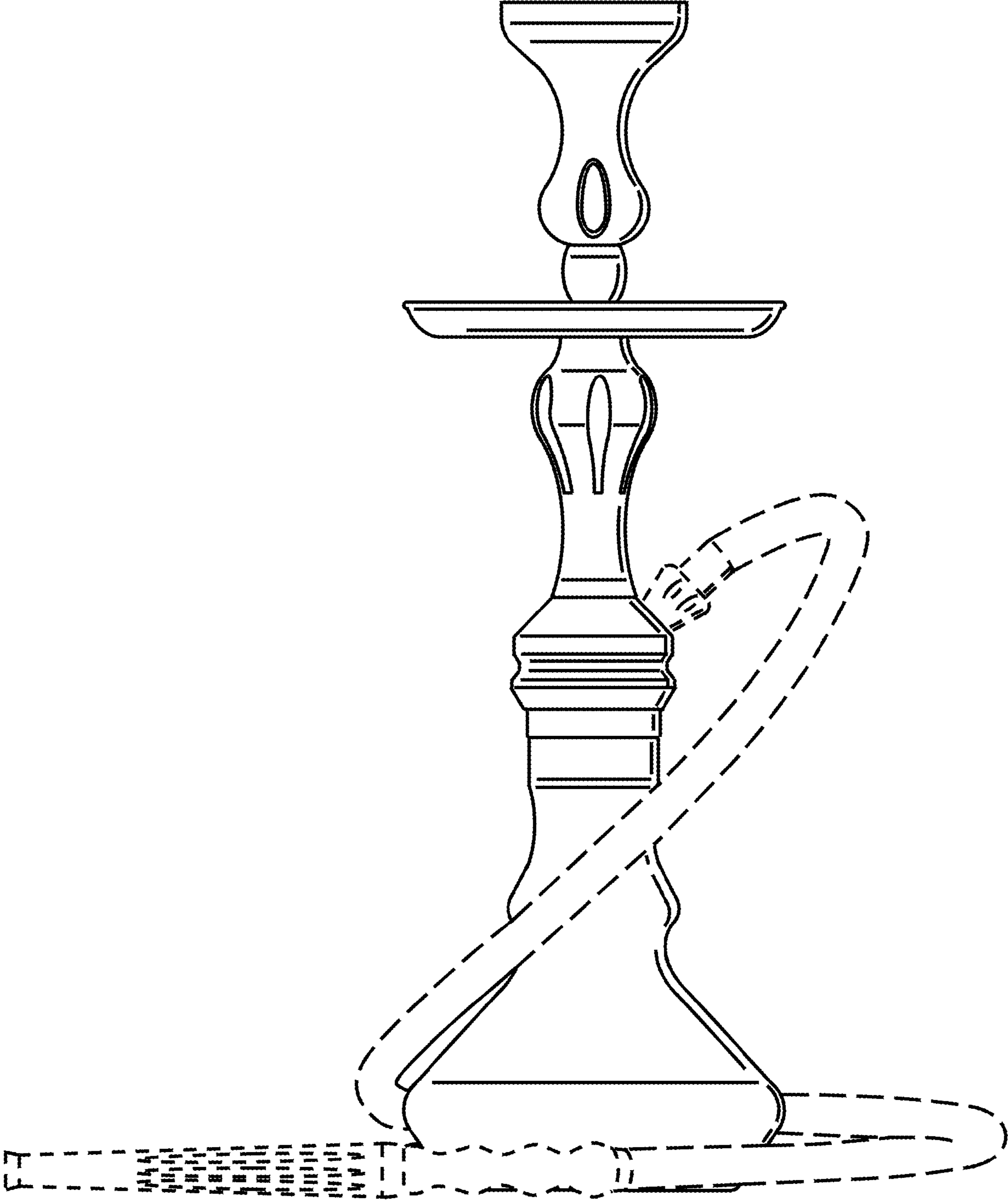


FIG. 5

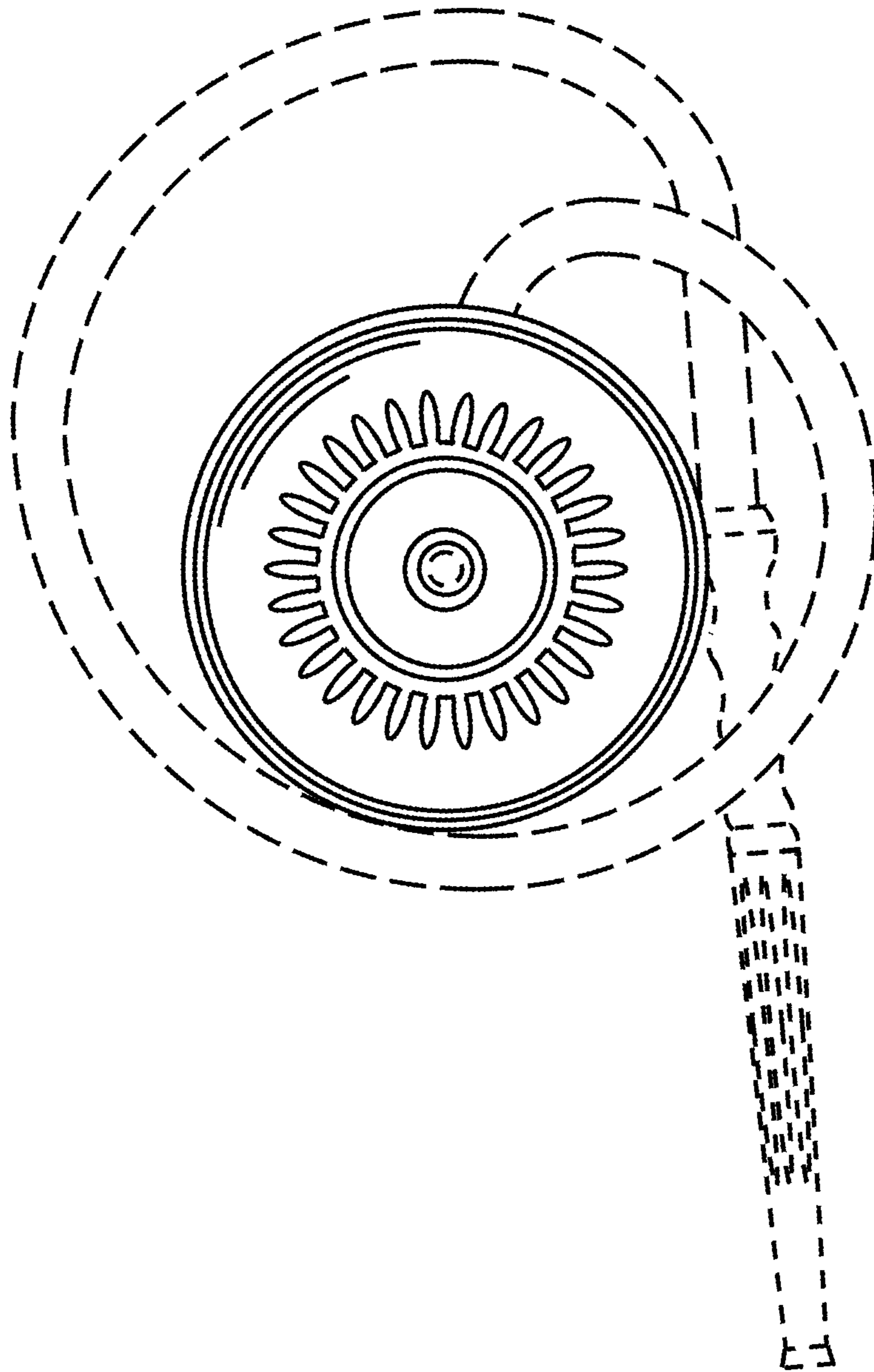


FIG. 6

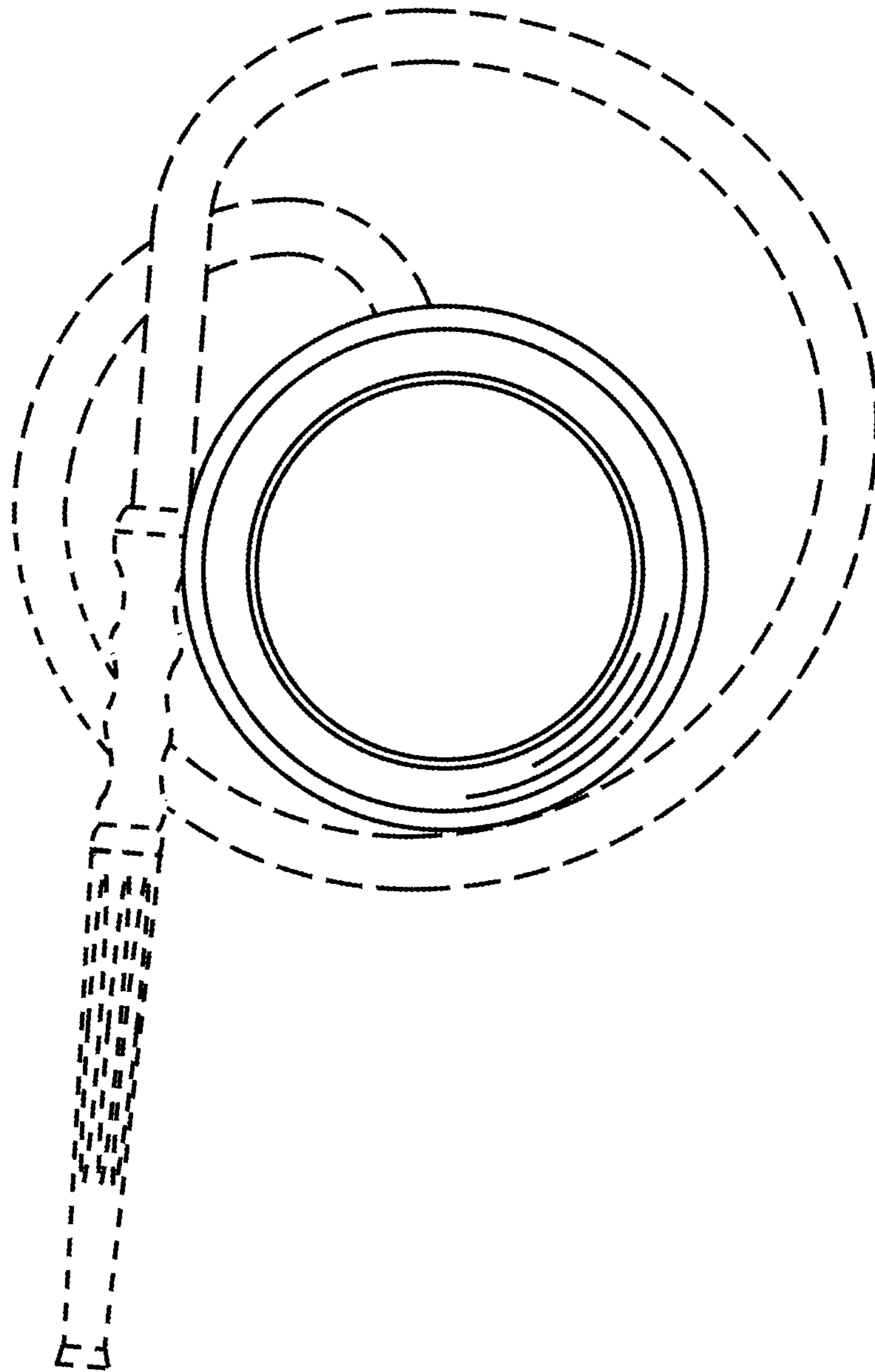


FIG. 7