



US00D960431S

(12) **United States Design Patent** (10) **Patent No.:** **US D960,431 S**
Chang et al. (45) **Date of Patent:** **** Aug. 9, 2022**

- (54) **VAPORIZER ACCESSORY**
- (71) Applicant: **JUUL Labs, Inc.**, San Francisco, CA (US)
- (72) Inventors: **Wei-Ling Chang**, San Francisco, CA (US); **Kevin Lomeli**, San Francisco, CA (US); **Bryan White**, Pleasanton, CA (US)
- (73) Assignee: **JUUL Labs, Inc.**, San Francisco, CA (US)
- (**) Term: **15 Years**
- (21) Appl. No.: **29/651,959**
- (22) Filed: **Nov. 20, 2020**

D844,235 S *	3/2019	Cividi	D27/167
D858,868 S *	9/2019	Bowen	D27/162
D903,192 S *	11/2020	Chang	D27/162
D912,309 S *	3/2021	Bowen	D27/162
D914,963 S *	3/2021	Kashani	D27/194
D921,284 S *	6/2021	Belisle	D27/162
D921,973 S *	6/2021	Rahbar	D27/162
D925,114 S *	7/2021	Kim	D27/162
D928,712 S *	8/2021	Cheung	D13/137.2
D943,158 S *	2/2022	Belisle	D27/162
D943,159 S *	2/2022	Belisle	D27/162

* cited by examiner

Primary Examiner — Rebecca Tsehaye
(74) *Attorney, Agent, or Firm* — Mintz, Levin, Cohn, Ferris, Glovsky and Popeo, P.C.

(57) **CLAIM**

The ornamental design for a vaporizer accessory, as shown and described.

DESCRIPTION

FIG. 1 is a top, front, and right side perspective view of a vaporizer accessory of our design; FIG. 2 is a bottom, rear, and left perspective view thereof; FIG. 3 is a top, front, and left perspective view thereof; FIG. 4 is a bottom, rear, and right perspective view thereof; FIG. 5 is a front view thereof; FIG. 6 is a rear view thereof; FIG. 7 is a left side view thereof; FIG. 8 is a right side view thereof; FIG. 9 is a top view thereof; and, FIG. 10 is a bottom view thereof.

The dash-dash broken lines illustrate portions of the vaporizer accessory that form no part of the claimed design. The dash-dot broken lines illustrate boundary lines that form no part of the claimed design.

1 Claim, 9 Drawing Sheets

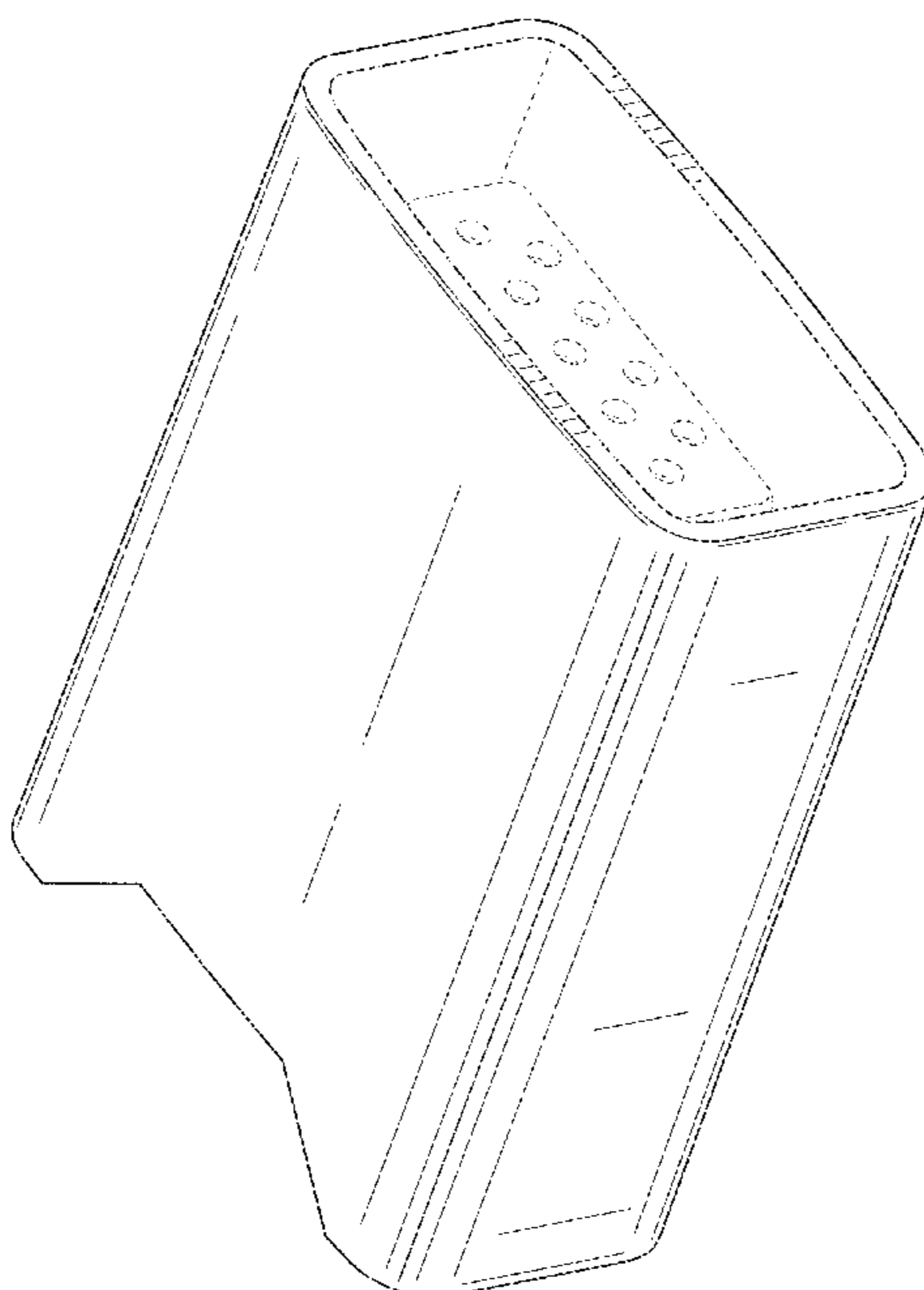
Related U.S. Application Data

- (63) Continuation of application No. 29/681,020, filed on Feb. 21, 2019, now Pat. No. Des. 903,192.
- (51) **LOC (13) Cl.** **27-02**
- (52) **U.S. Cl.**
USPC **D27/162**
- (58) **Field of Classification Search**
USPC D27/100, 101, 163–165, 172, 174, 183, D27/185–194; D24/110, 110.5; D23/366
CPC A24F 47/002; A24F 47/006; A24F 47/008; A61M 15/00; A61M 15/06
See application file for complete search history.

References Cited

U.S. PATENT DOCUMENTS

D520,182 S *	5/2006	Bray	D27/189
D708,727 S *	7/2014	Postma	D23/360
D842,536 S *	3/2019	Bowen	D27/167



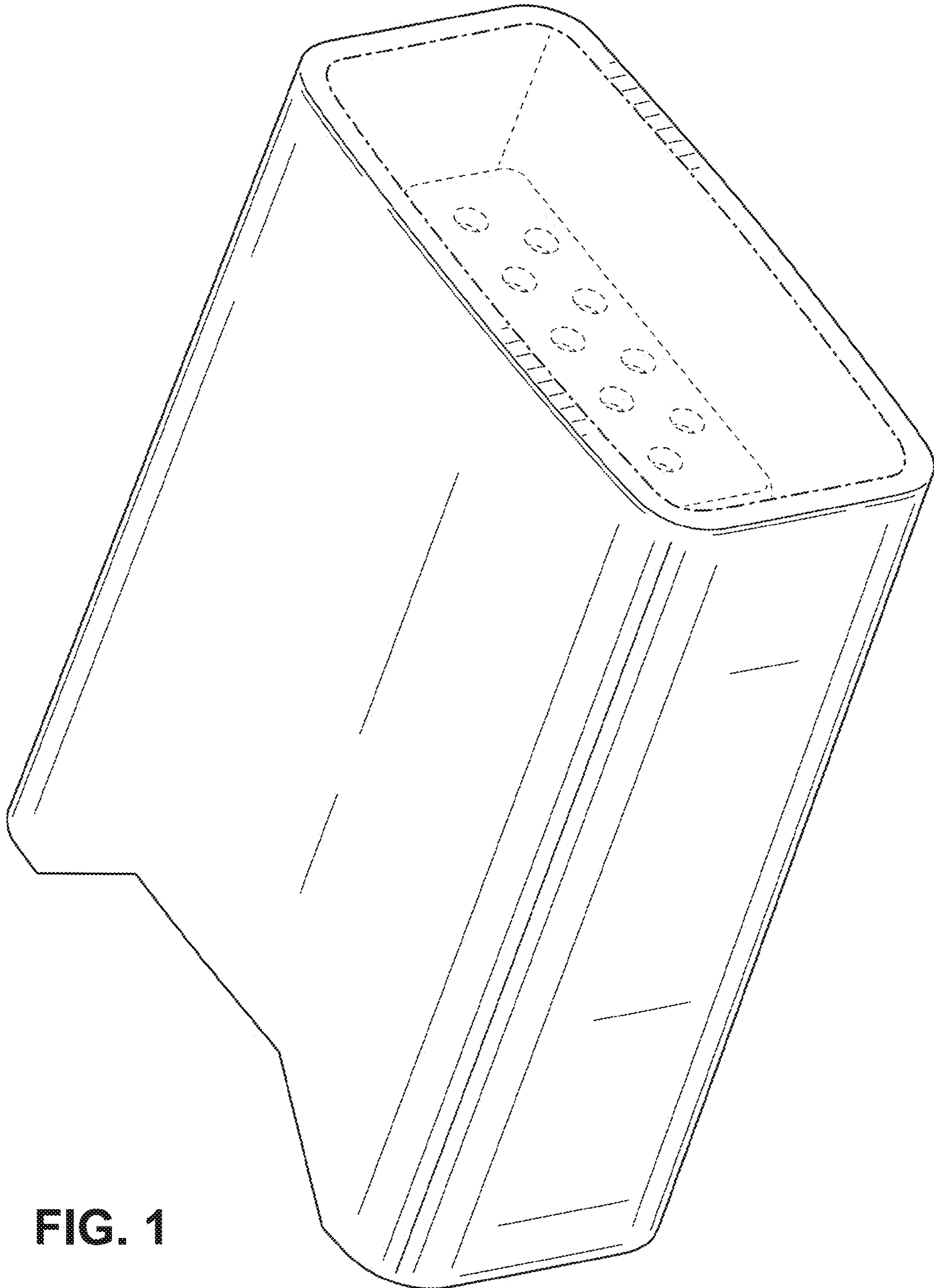


FIG. 1

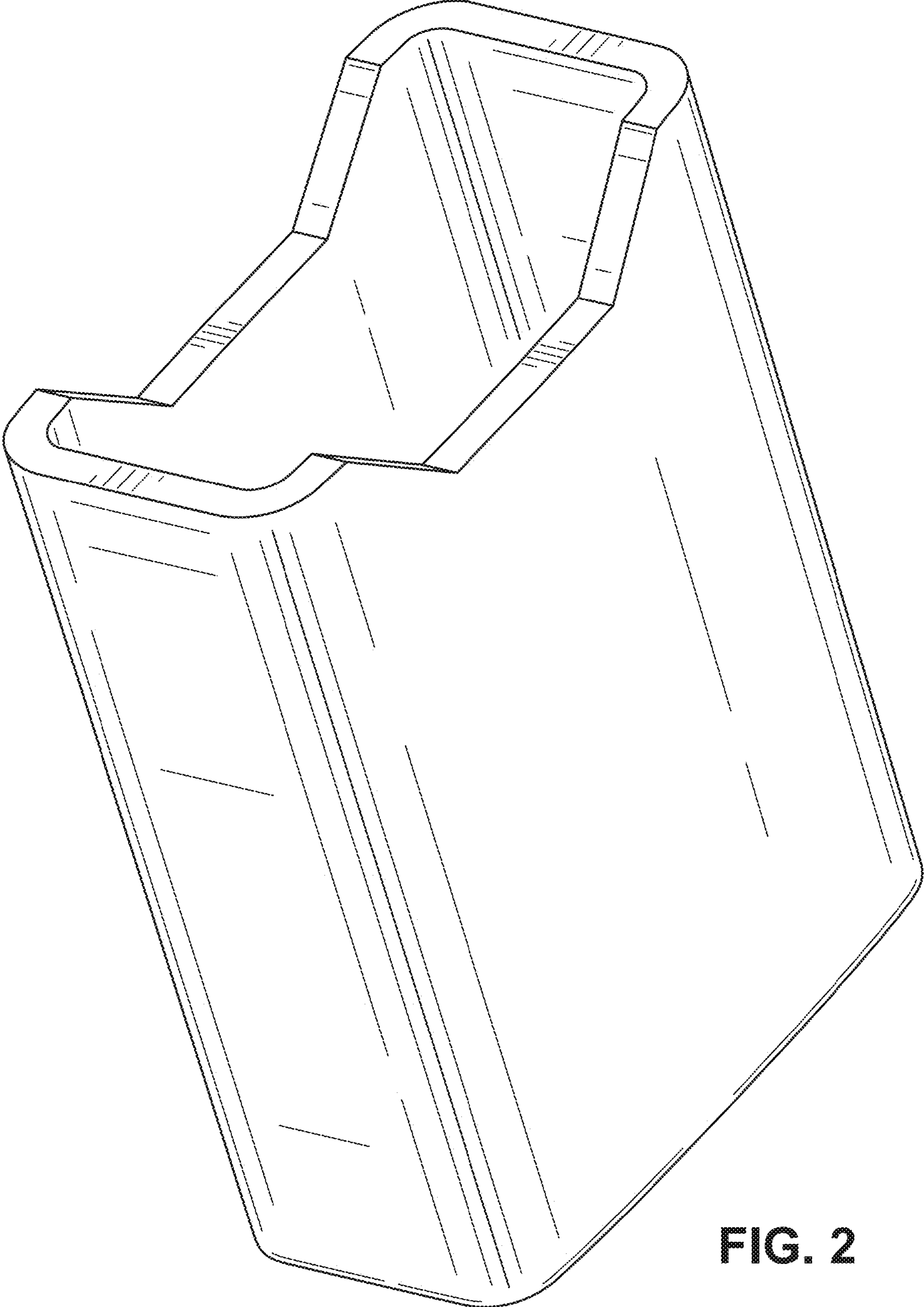


FIG. 2

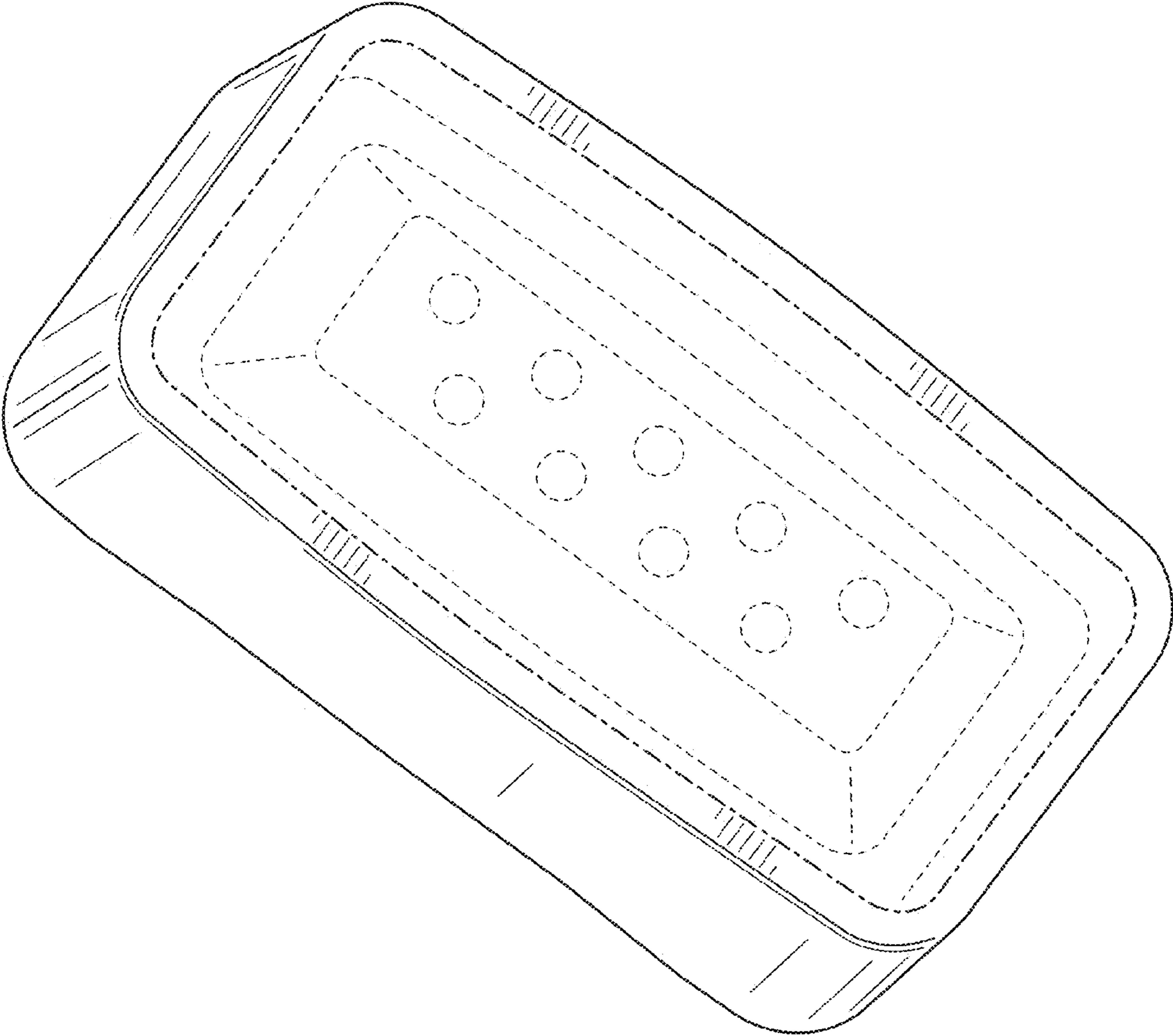


FIG. 3

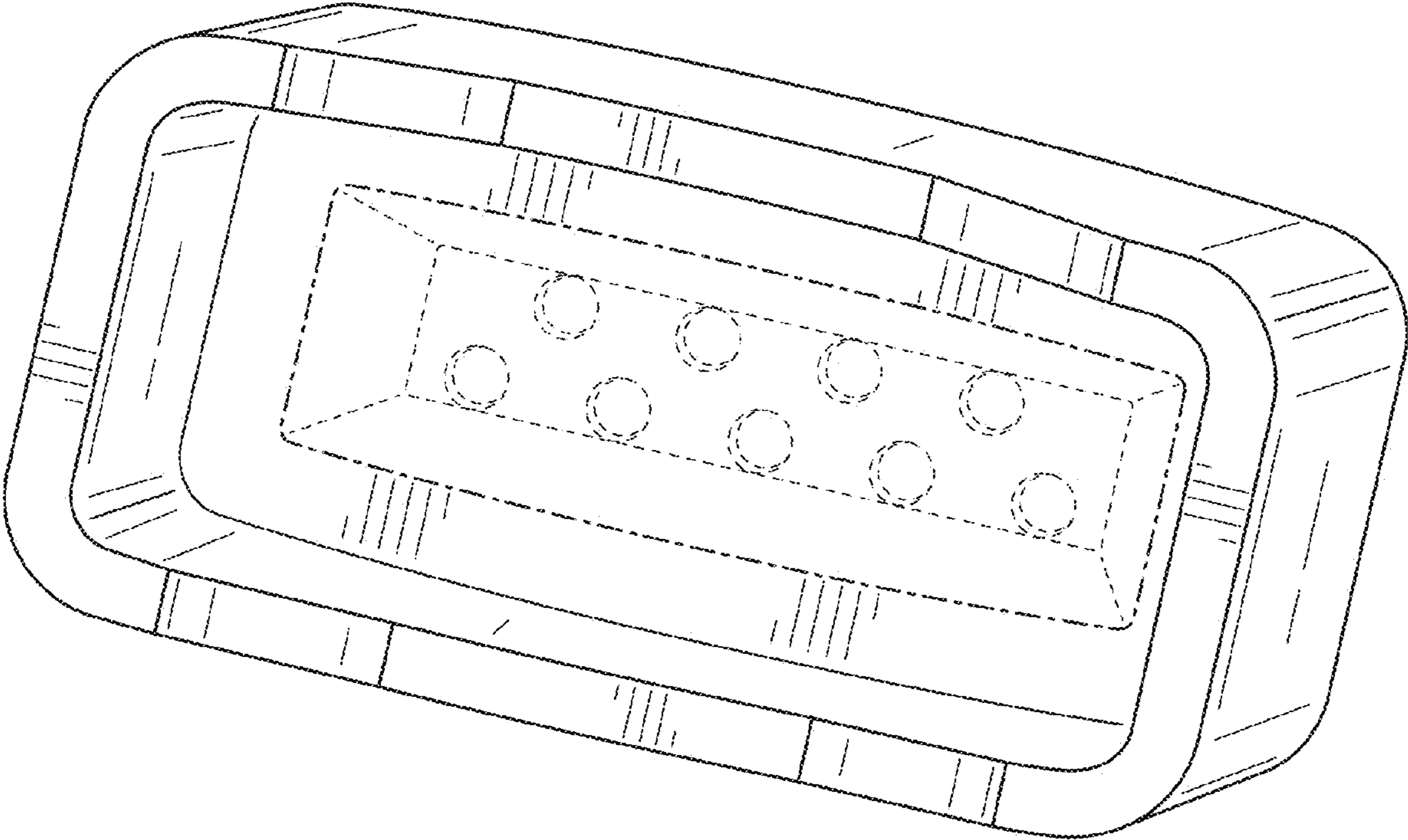


FIG. 4

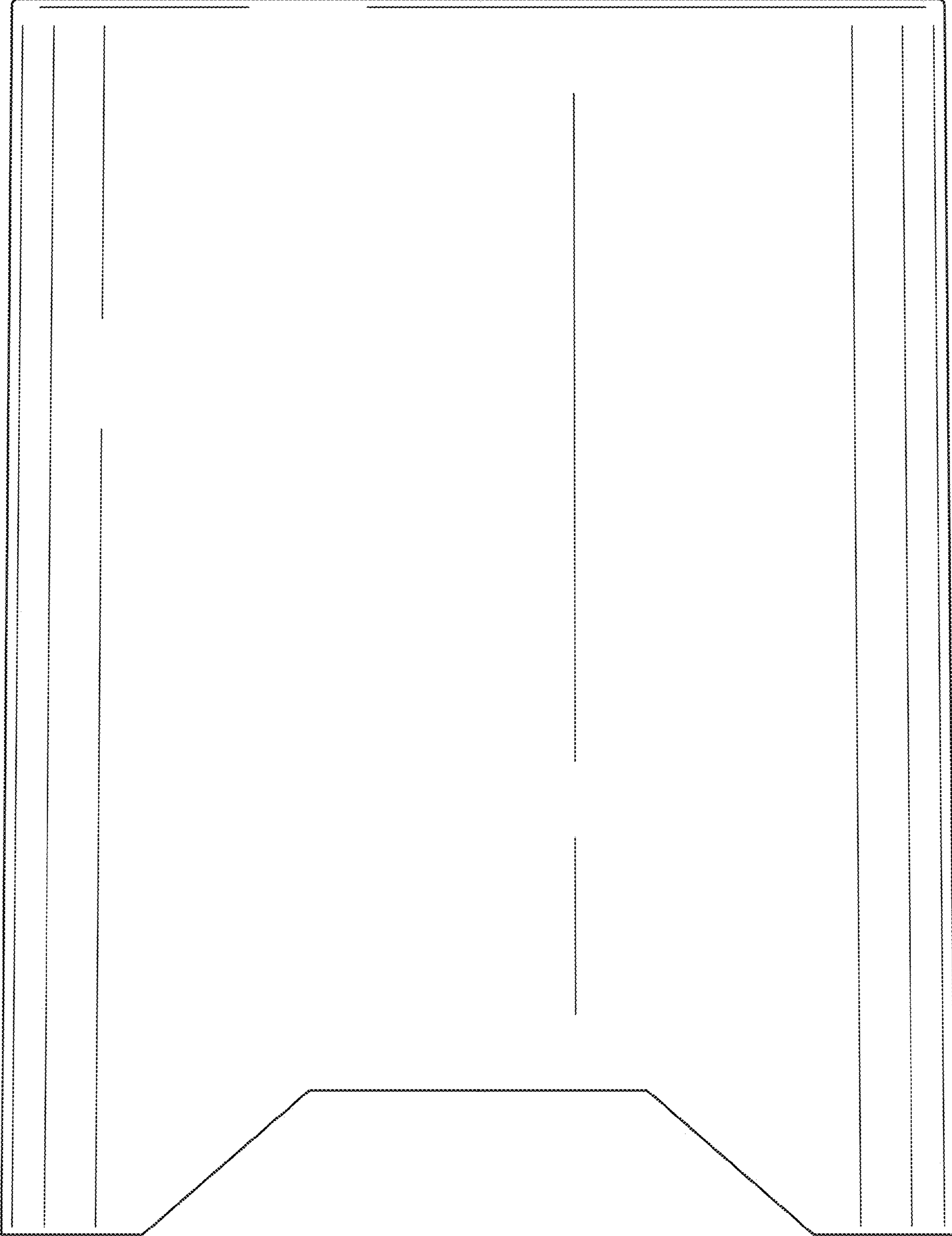


FIG. 5

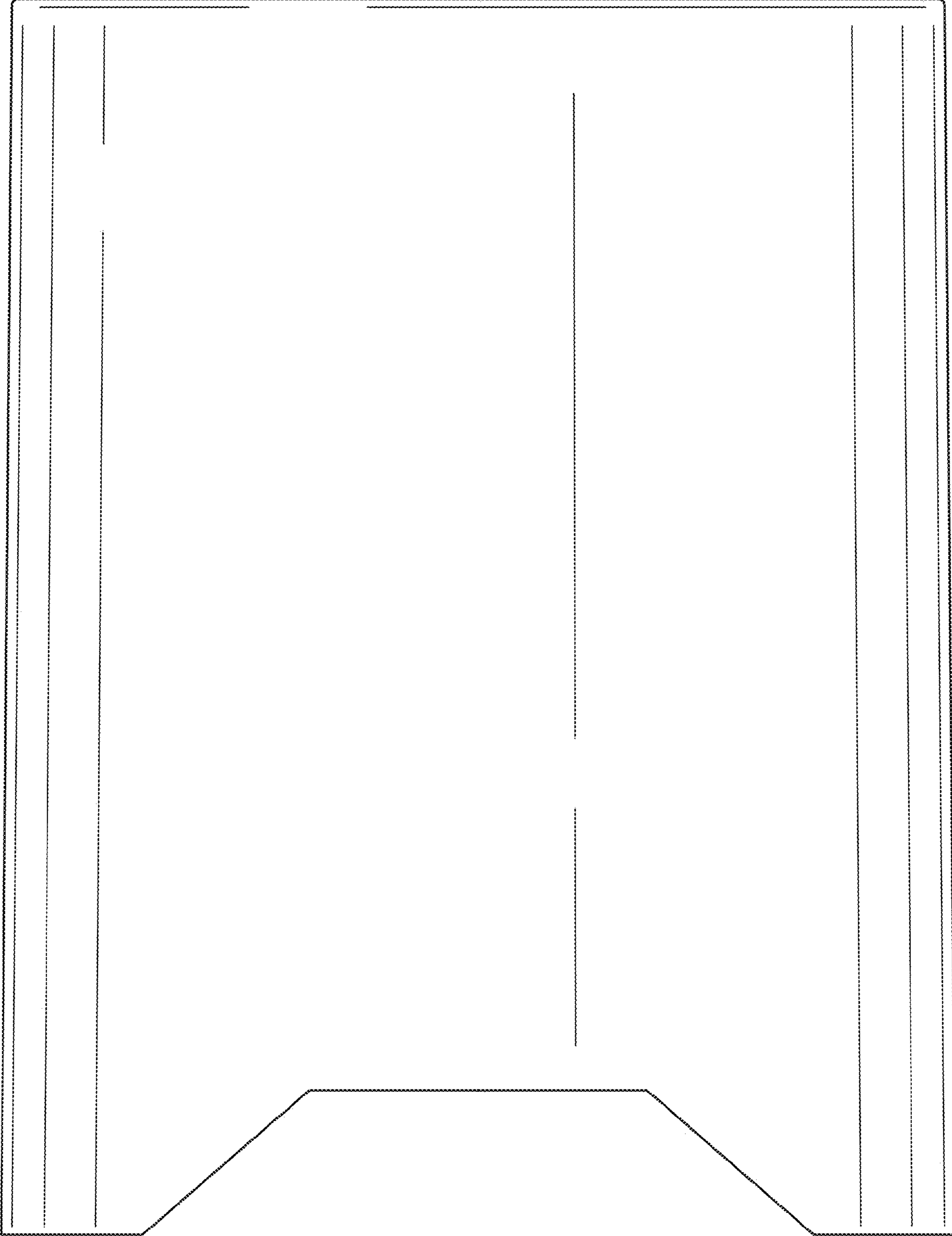


FIG. 6

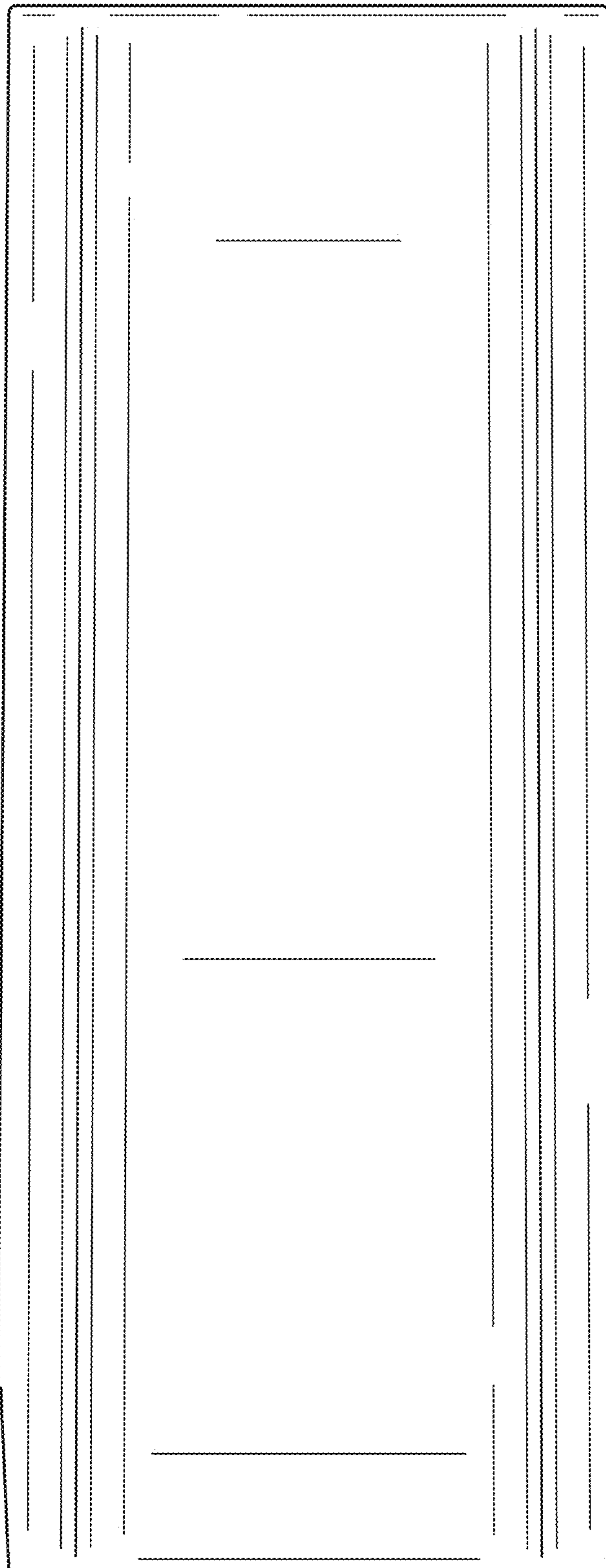


FIG. 7

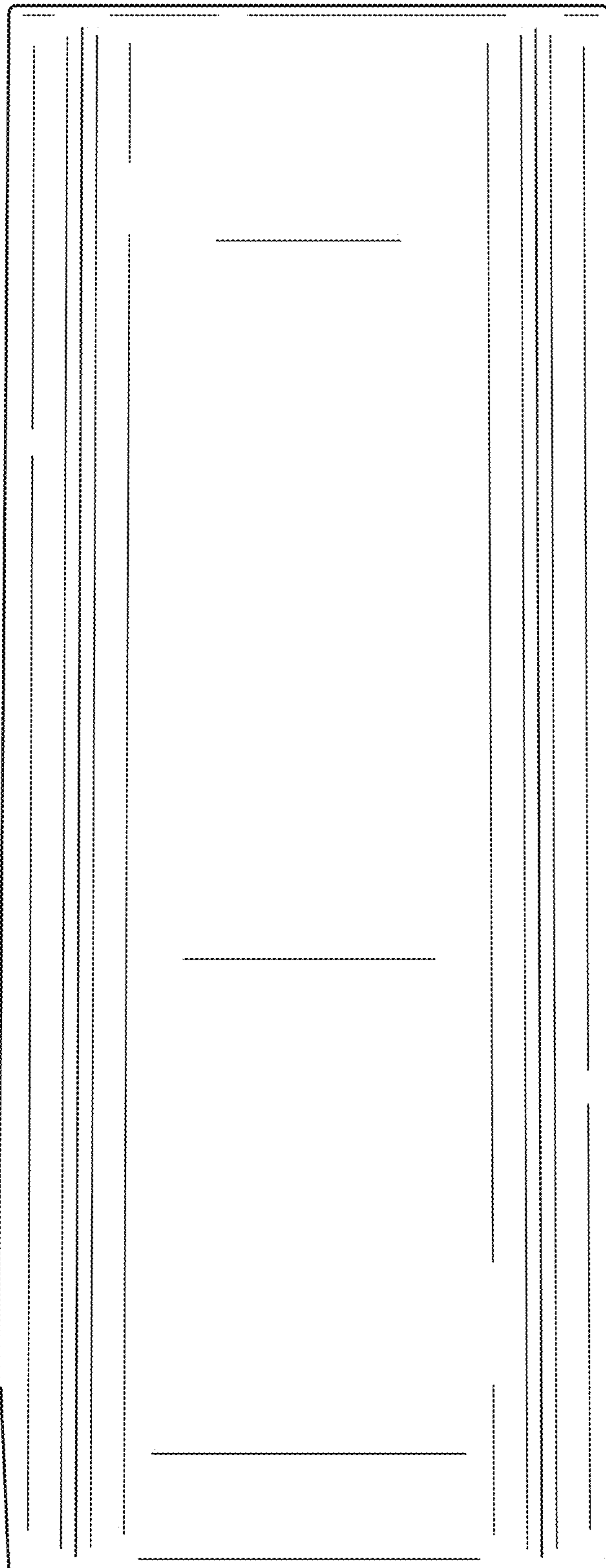


FIG. 8

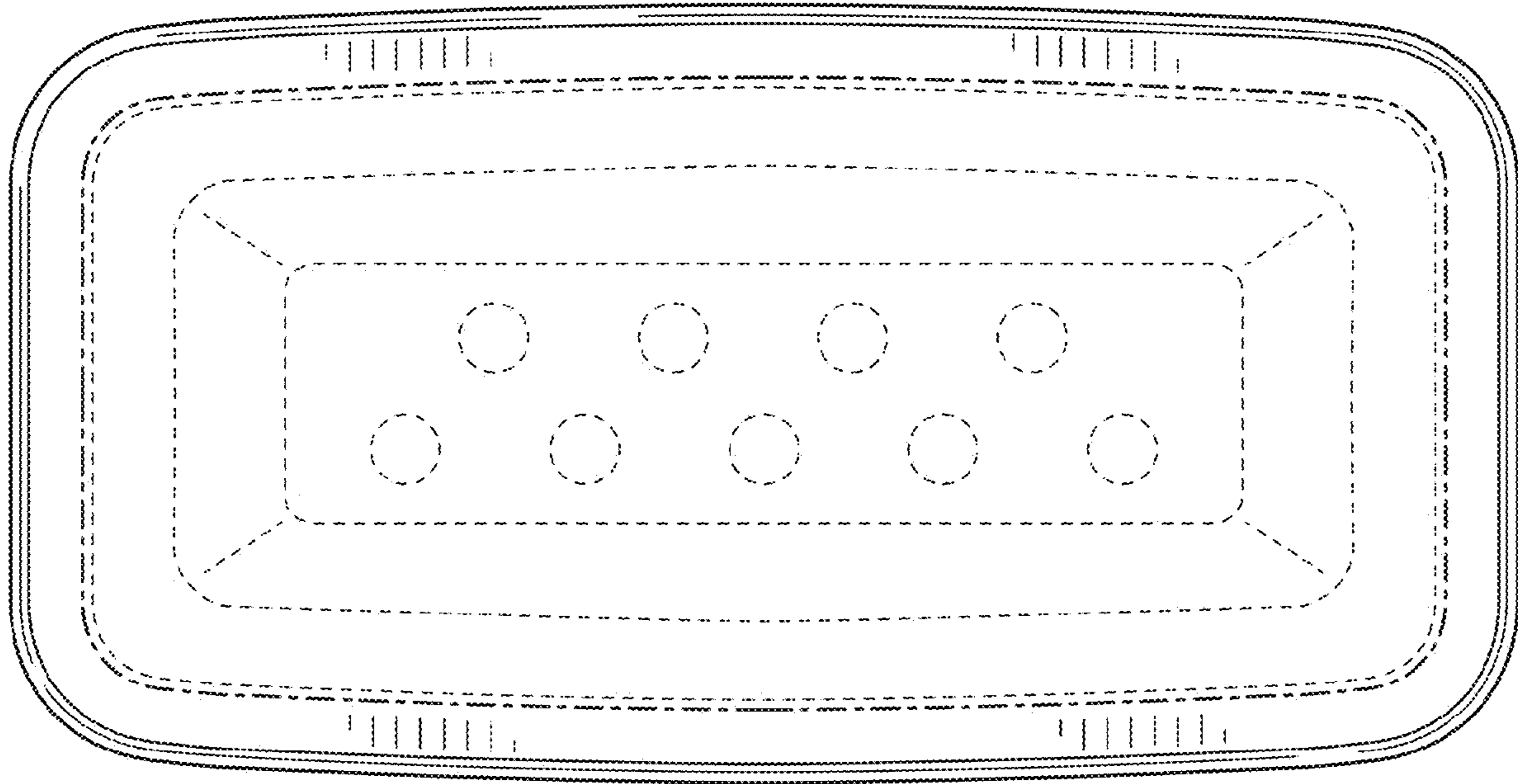


FIG. 9

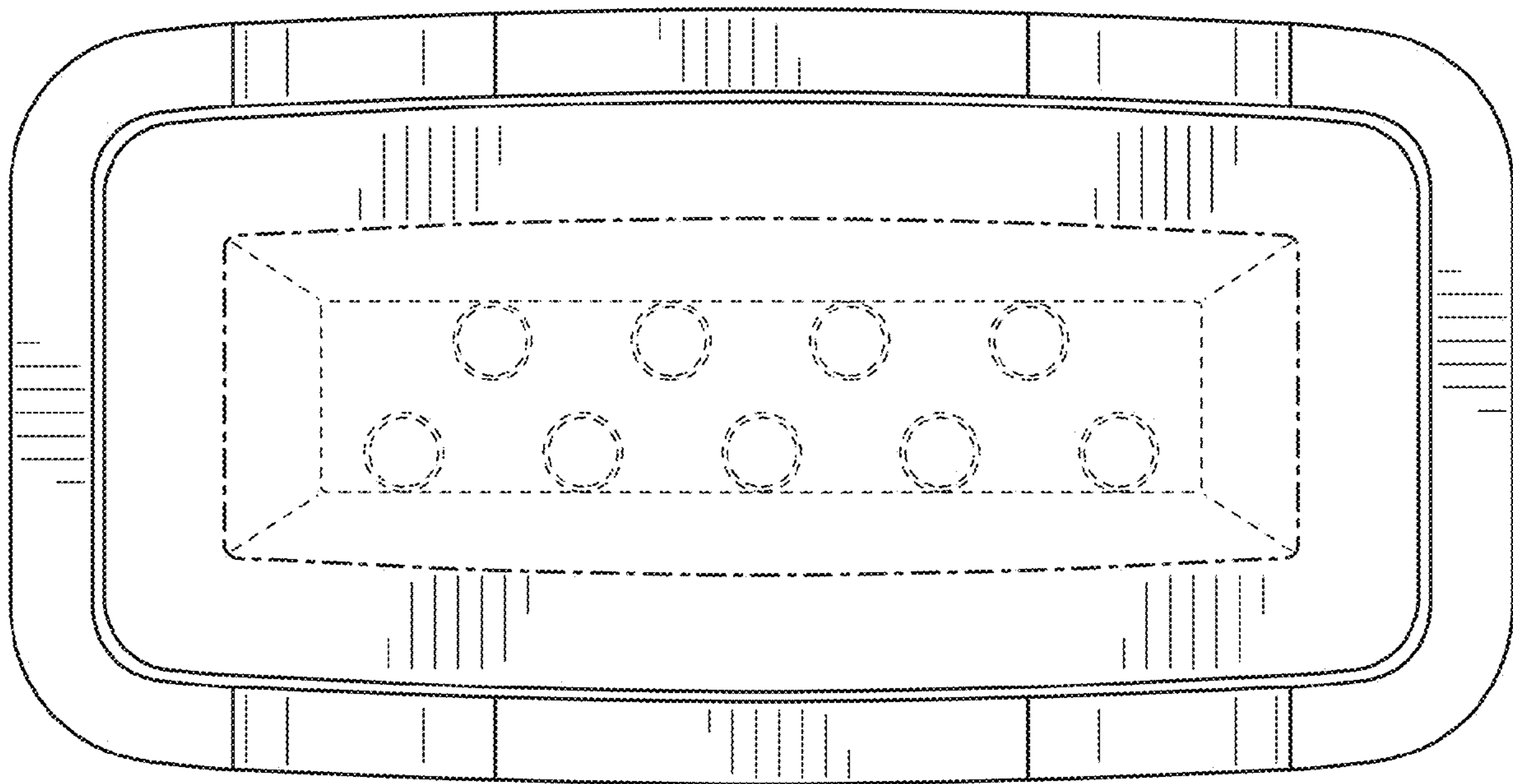


FIG. 10