

US00D960430S

(12) **United States Design Patent**  
**Guo**

(10) **Patent No.:** **US D960,430 S**

(45) **Date of Patent:** **\*\* Aug. 9, 2022**

(54) **PLANT GROW LIGHT**

(71) Applicant: **Hui Guo**, Guangdong (CN)

(72) Inventor: **Hui Guo**, Guangdong (CN)

(\*\*) Term: **15 Years**

(21) Appl. No.: **29/783,877**

(22) Filed: **May 17, 2021**

(51) **LOC (13) Cl.** ..... **26-05**

(52) **U.S. Cl.**  
USPC ..... **D26/118; D26/125**

(58) **Field of Classification Search**  
USPC ..... D26/4, 7, 16, 24, 25, 34, 42, 60, 61, 62,  
D26/63, 73, 80, 86, 93, 102, 110, 118,  
D26/125, 150, 151; D16/237, 239, 244,  
D16/245, 250  
CPC .. F21S 8/036; F21S 8/043; F21S 8/081; F21S  
8/083; F21S 8/088; F21S 6/003; F21S  
6/004; F21S 6/005; F21Y 2103/00; F21Y  
2103/10; F21Y 2103/20; F21Y 2107/30;  
F21V 19/0095

See application file for complete search history.

(56) **References Cited**

**U.S. PATENT DOCUMENTS**

D493,563 S \* 7/2004 Sehl ..... D26/98  
D640,810 S \* 6/2011 Weiser ..... D26/26  
D695,940 S \* 12/2013 Desai ..... D26/68

D748,851 S \* 2/2016 Soofer ..... D26/138  
D869,719 S \* 12/2019 Liu ..... D26/94  
D870,346 S 12/2019 Deng  
D896,692 S \* 9/2020 Yuan ..... D11/162  
D911,216 S \* 2/2021 Yuan ..... D11/162  
D938,085 S \* 12/2021 Hollinger ..... D26/73  
D938,088 S \* 12/2021 Pei ..... D20/23

\* cited by examiner

*Primary Examiner* — Wan Laymon  
*Assistant Examiner* — Clint A Samuel

(57) **CLAIM**

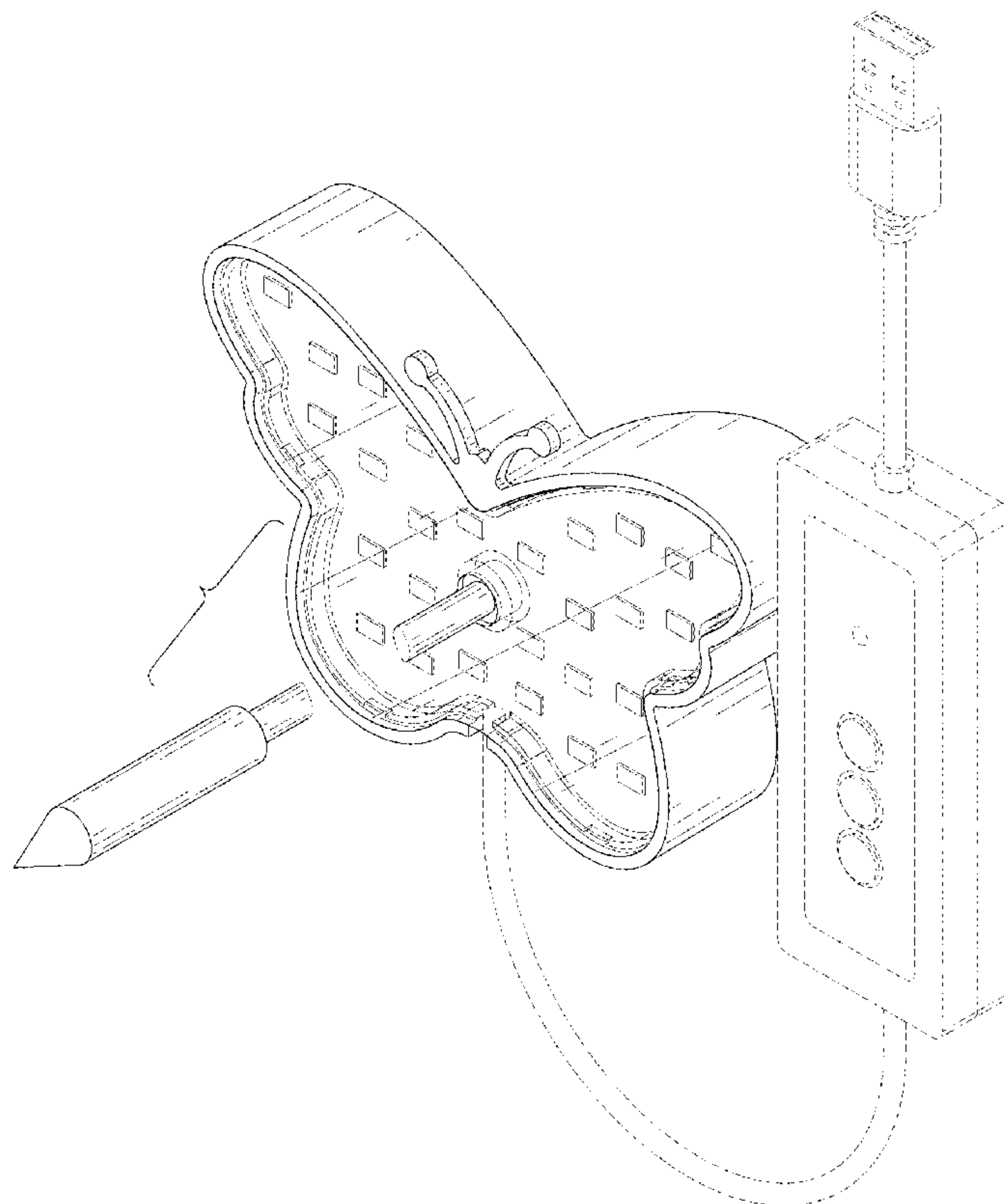
The ornamental design for a plant grow light, as shown and described.

**DESCRIPTION**

FIG. 1 is a front and top perspective view of a plant grow light, showing my new design;  
FIG. 2 is a rear and bottom perspective view thereof;  
FIG. 3 is a front elevation view thereof;  
FIG. 4 is a rear elevation view thereof;  
FIG. 5 is a left side elevation view thereof;  
FIG. 6 is a right side elevation view thereof;  
FIG. 7 is a top plan view thereof; and,  
FIG. 8 is a bottom plan view thereof.

The broken lines in the figures illustrate portions of the plant grow light that form no part of the claimed design. The plant grow light is shown with a symbolic break in its length. The appearance of any portion of the article between the break lines forms no part of the claimed design.

**1 Claim, 8 Drawing Sheets**



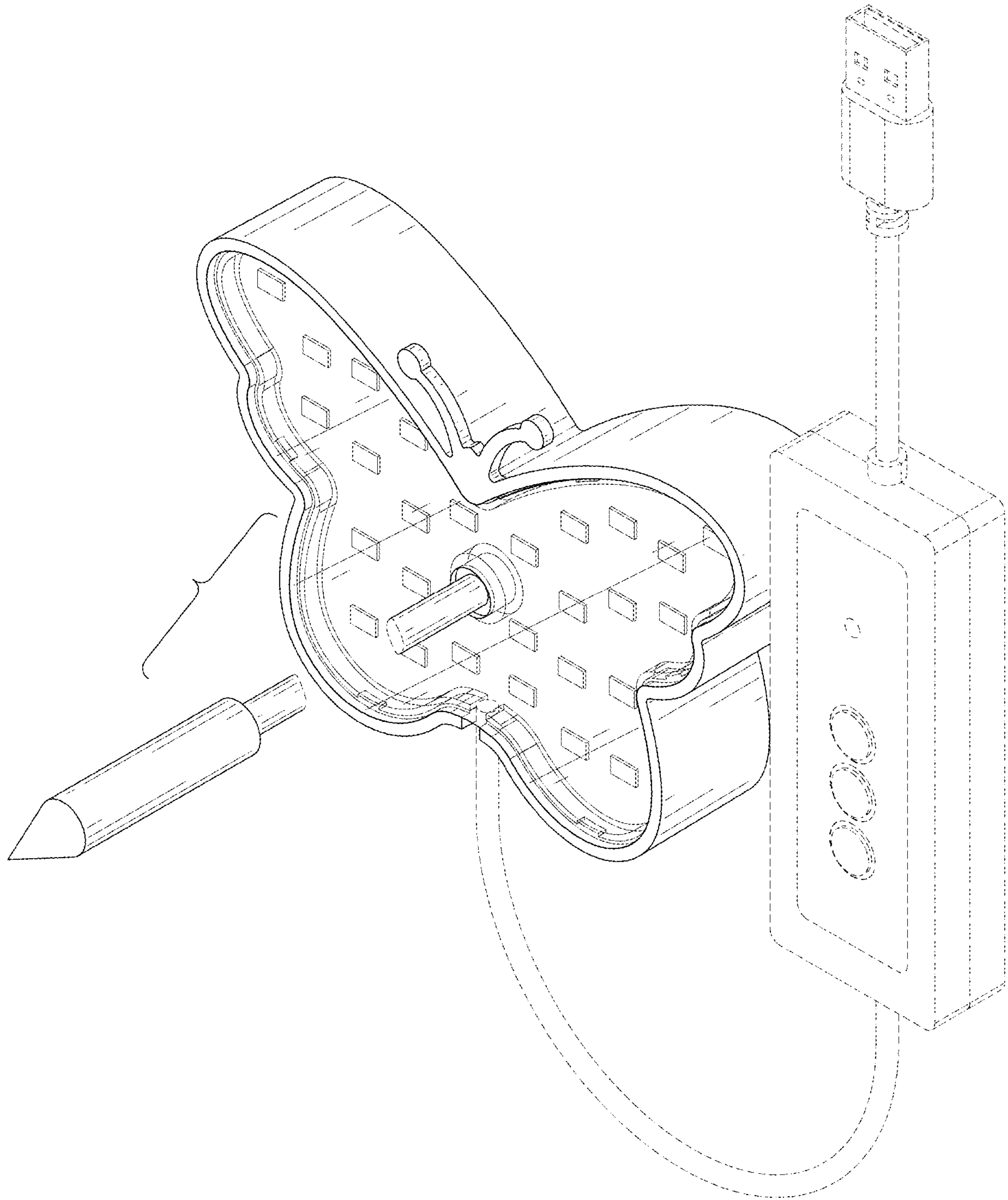


FIG. 1

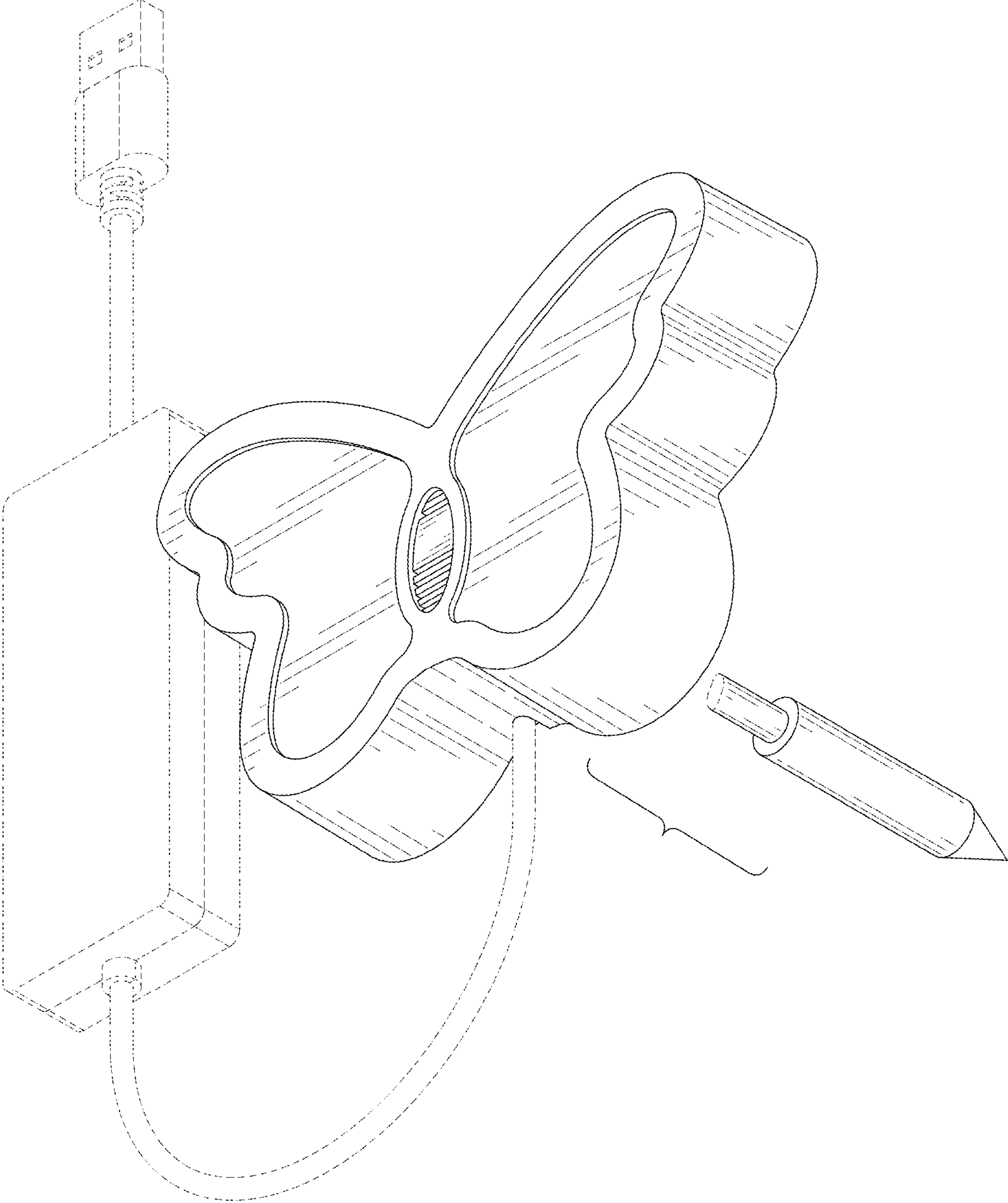


FIG. 2

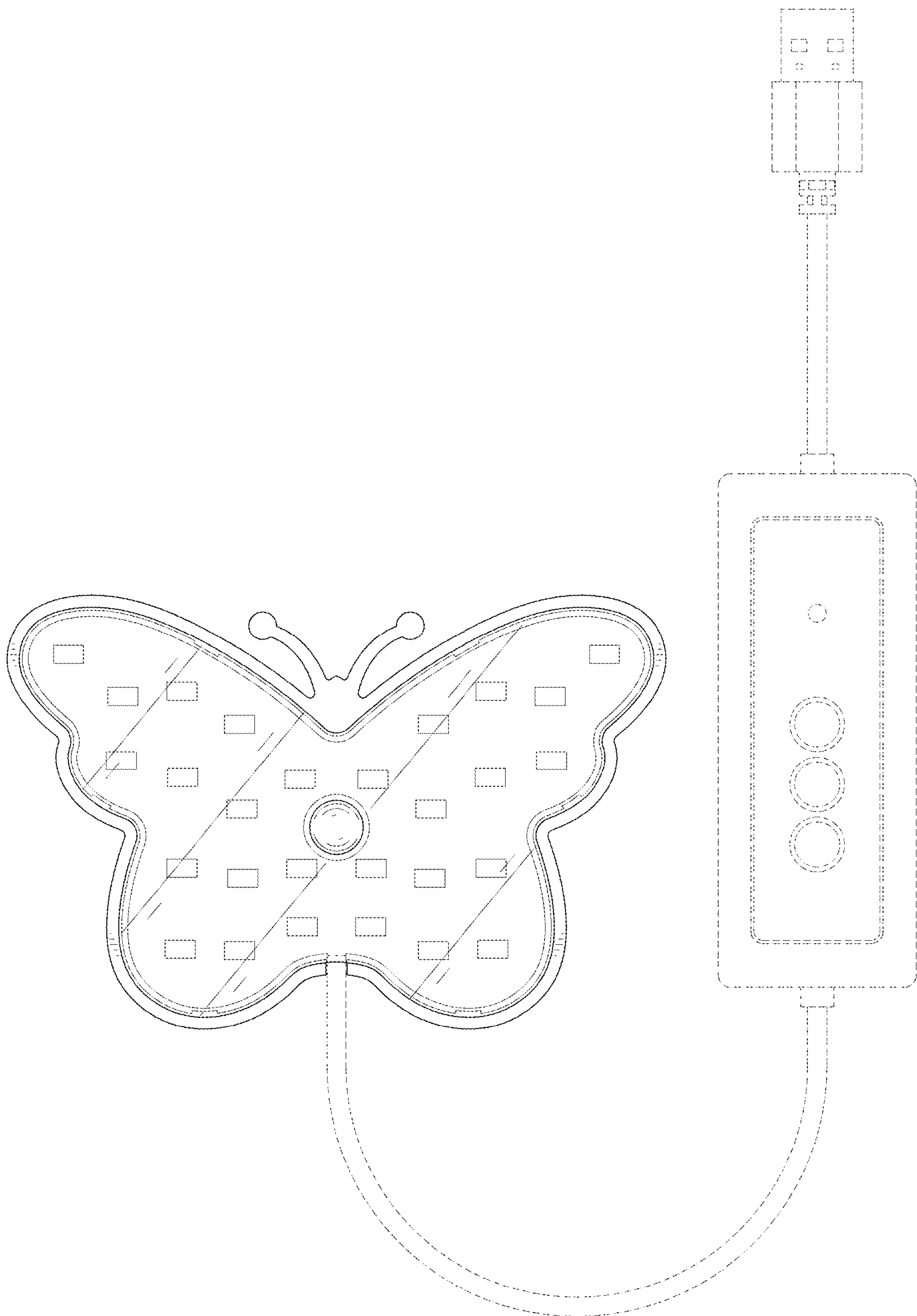


FIG. 3



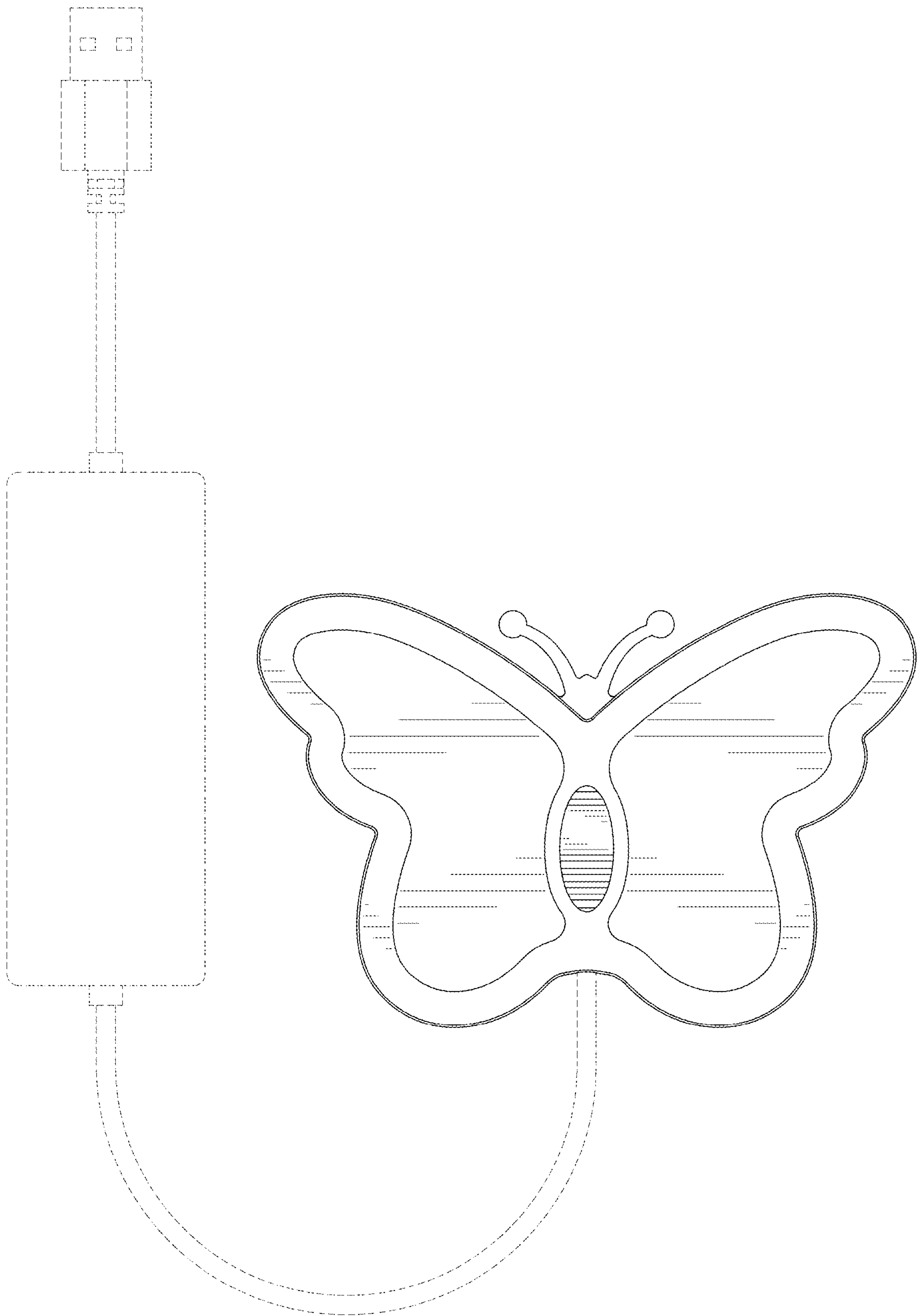


FIG. 4

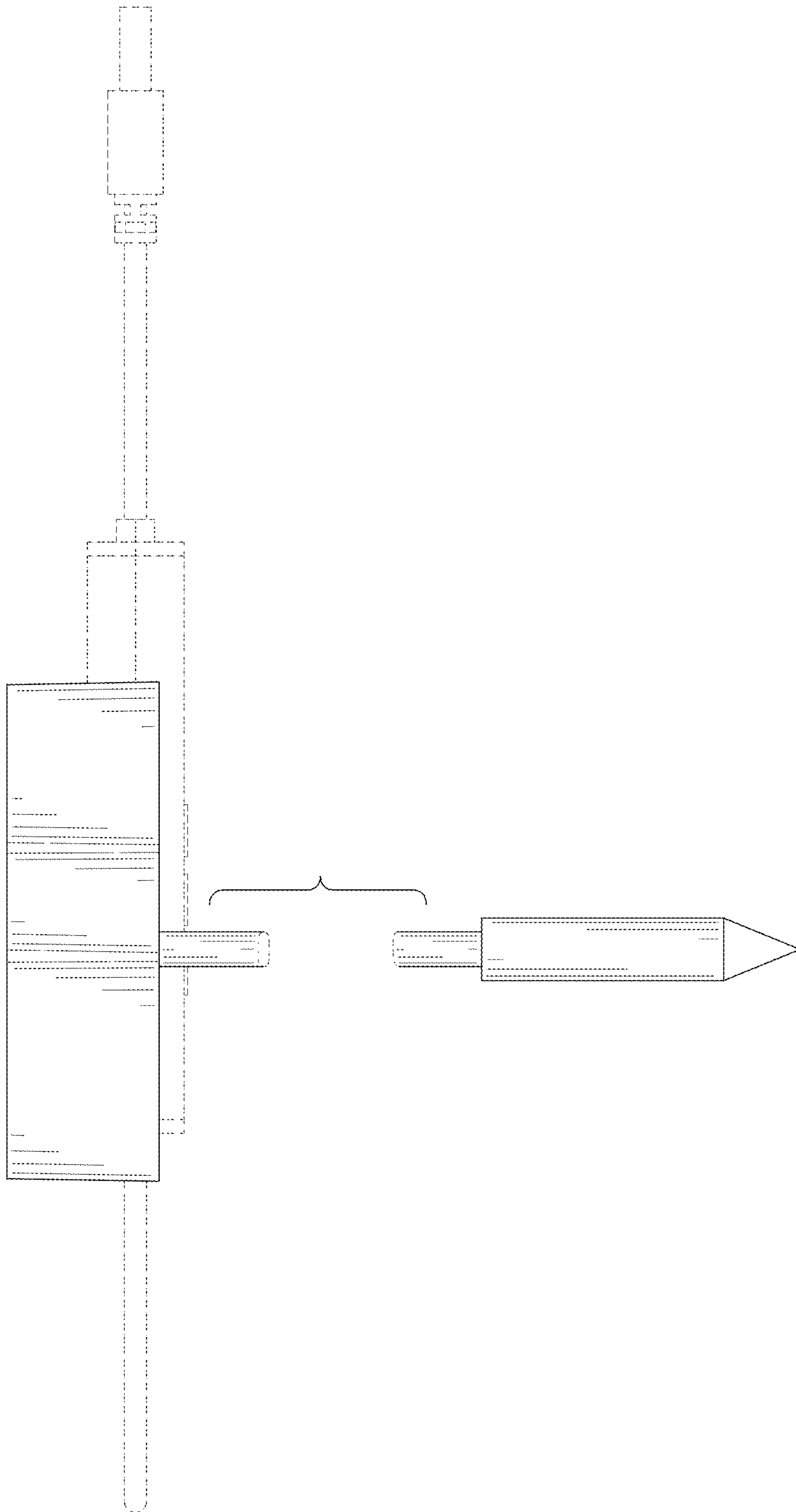


FIG. 5

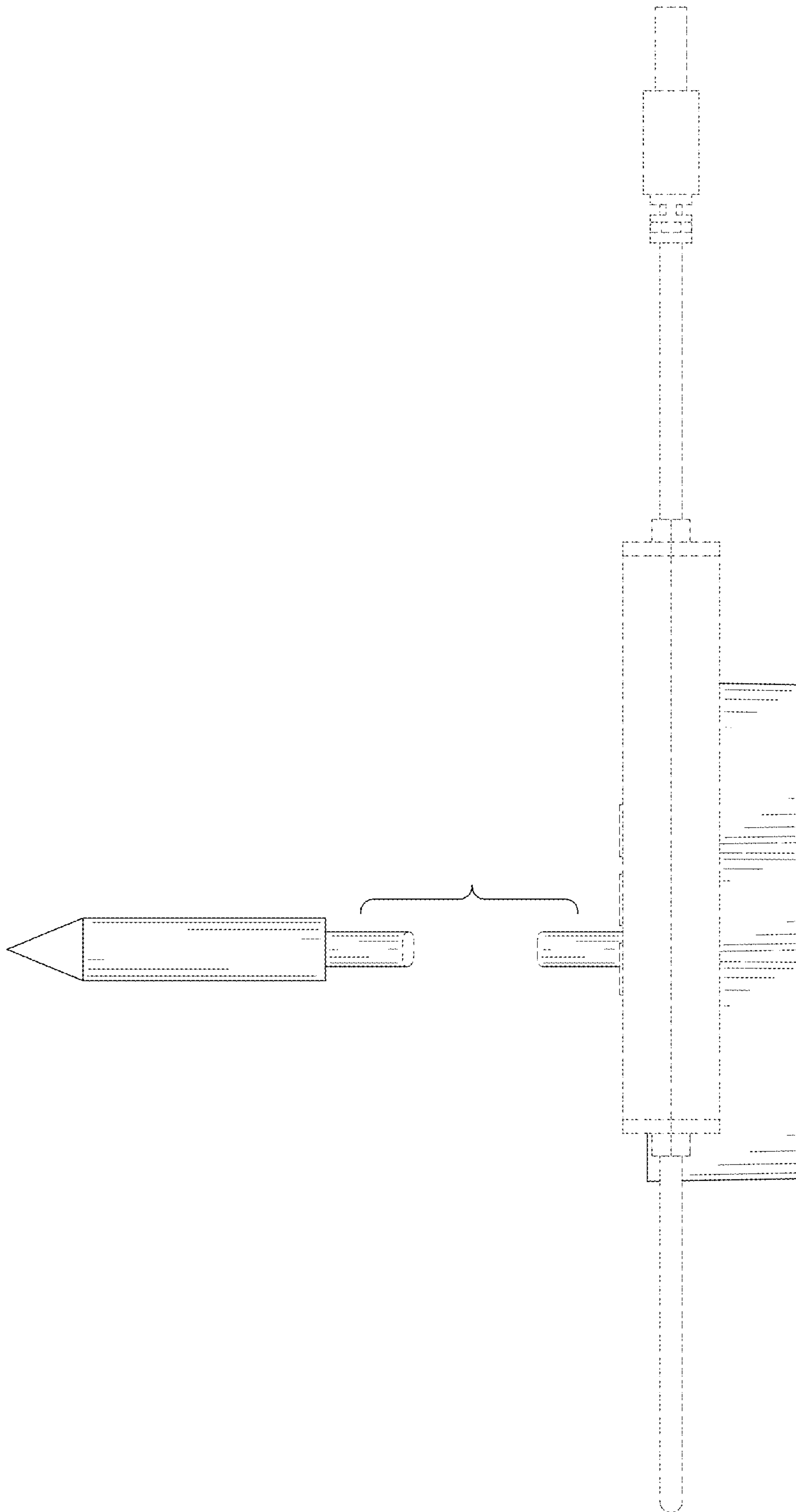


FIG. 6

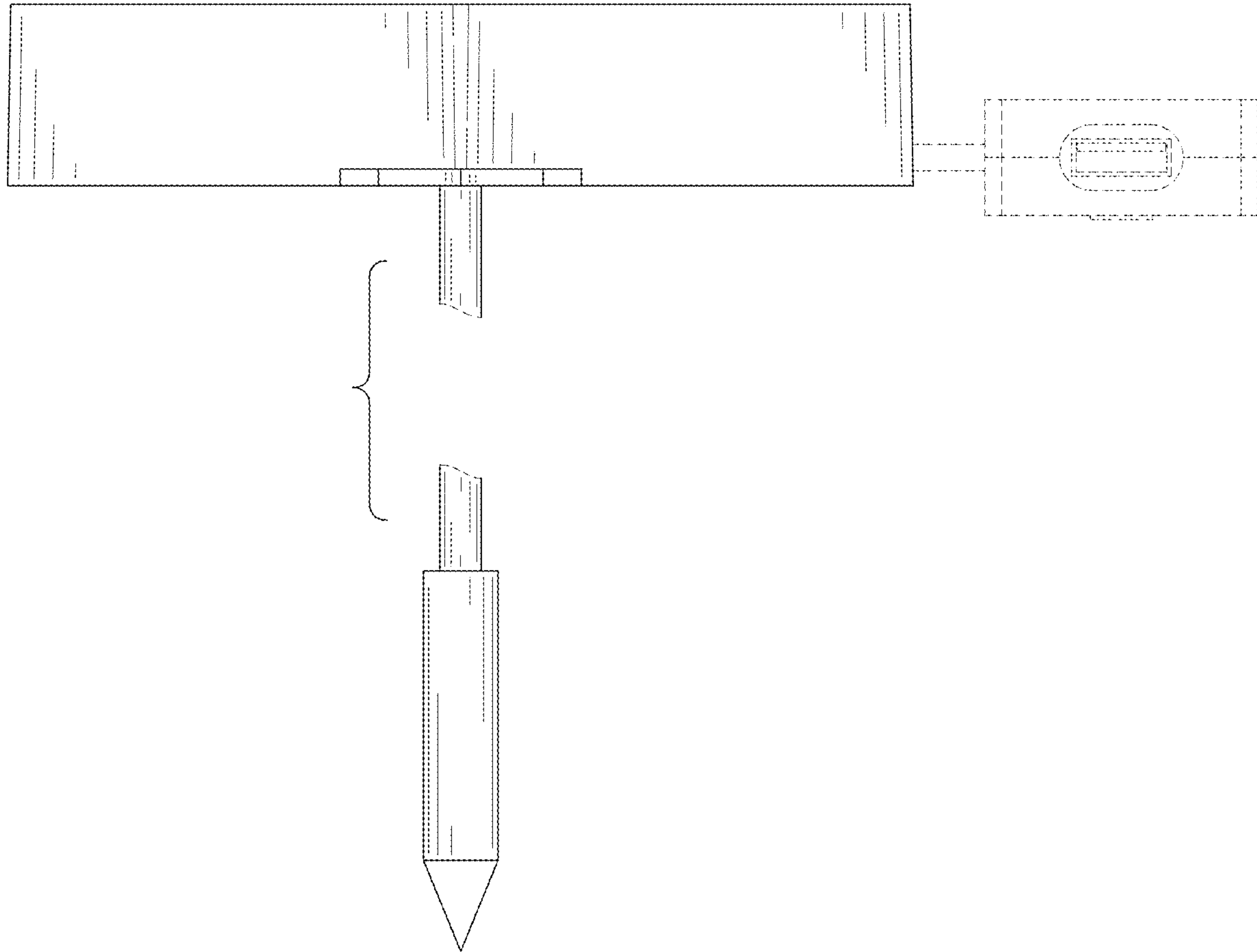


FIG. 7



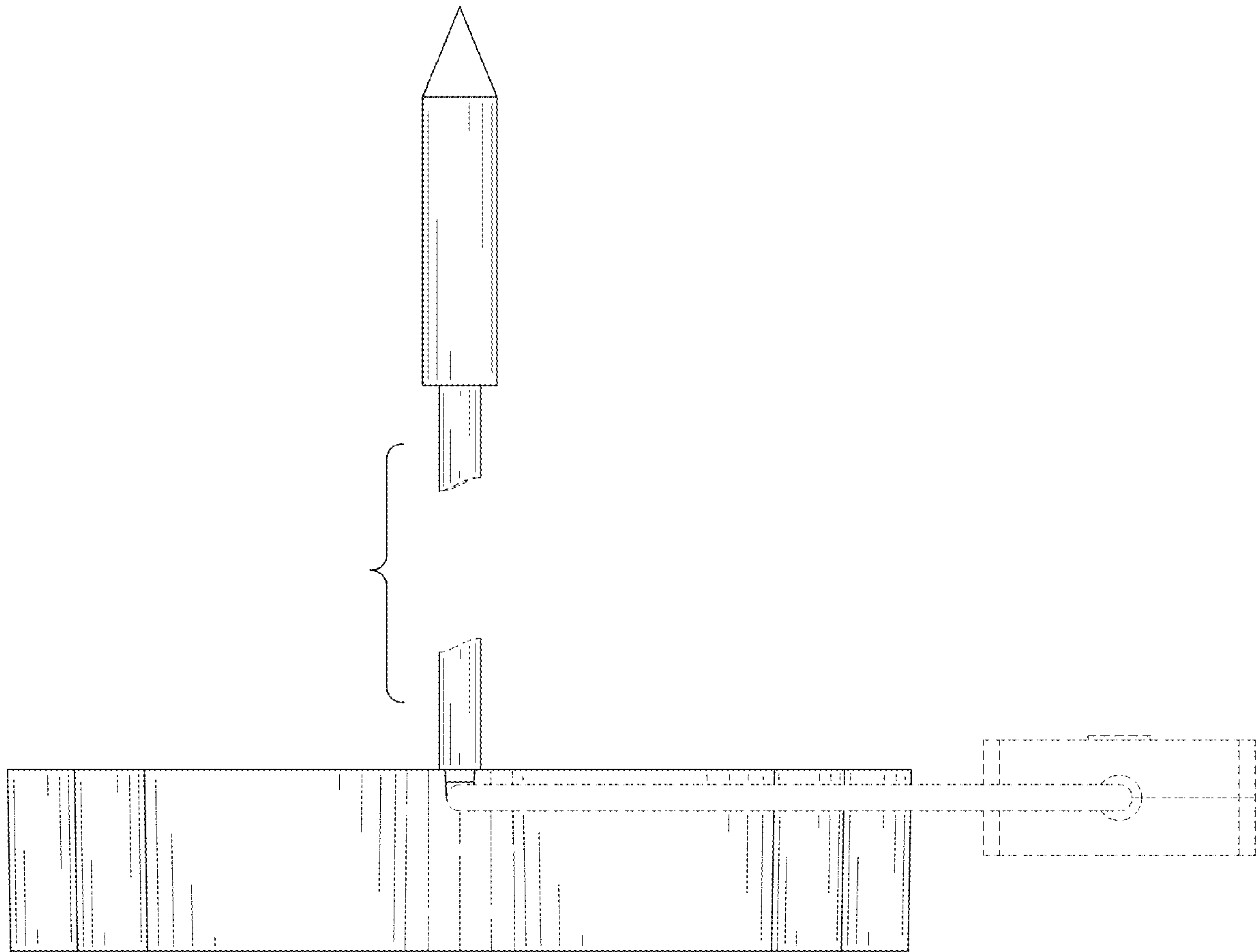


FIG. 8