



US00D960429S

(12) **United States Design Patent** (10) **Patent No.:** **US D960,429 S**
LaMarche et al. (45) **Date of Patent:** **** *Aug. 9, 2022**

(54) **REFLECTOR**

D717,487 S * 11/2014 Guzzini D26/118
D830,618 S * 10/2018 Zhao D26/118

(71) Applicant: **JST Performance, LLC**, Gilbert, AZ
(US)

* cited by examiner

(72) Inventors: **Bradley J. LaMarche**, Gilbert, AZ
(US); **Pete D. Sibitzky**, Lakeside, CA
(US)

Primary Examiner — Brian N. Vinson
(74) *Attorney, Agent, or Firm* — Calfee, Halter &
Griswold LLP

(73) Assignee: **JST Performance, LLC**, Gilbert, AZ
(US)

(57) **CLAIM**

The ornamental design for a reflector, as shown and described.

(*) Notice: This patent is subject to a terminal disclaimer.

DESCRIPTION

(**) Term: **15 Years**

FIG. 1 is a front, top, right, perspective view of a reflector showing our new design;
FIG. 2 is a front, top, left, perspective view thereof;
FIG. 3 is a front, bottom, right, perspective view thereof;
FIG. 4 is a front, bottom, left, perspective view thereof;
FIG. 5 is a back, top, right, perspective view thereof;
FIG. 6 is a back, top, left, perspective view thereof;
FIG. 7 is a back, bottom, right, perspective view thereof;
FIG. 8 is a back, bottom, left perspective view thereof;
FIG. 9 is a front side view thereof;
FIG. 10 is a back side view thereof;
FIG. 11 is a right side view thereof;
FIG. 12 is a left side view thereof;
FIG. 13 is a top view thereof;
FIG. 14 is a bottom view thereof;
FIG. 15 is a front, top, right, perspective view of the reflector disposed within an unclaimed lighting fixture;
FIG. 16 is a front, top, left, perspective view thereof;
FIG. 17 is a front, bottom, right, perspective view thereof;
FIG. 18 is a front, bottom, left, perspective view thereof;
and,
FIG. 19 is a front side view thereof.

(21) Appl. No.: **29/649,985**

(22) Filed: **Jun. 4, 2018**

(51) **LOC (13) Cl.** **26-99**

(52) **U.S. Cl.**
USPC **D26/118**

(58) **Field of Classification Search**
USPC D26/113, 118, 119, 120, 121, 122, 145,
D26/142, 143, 128, 134, 72, 88
CPC F21S 8/00; F21S 8/03; F21S 8/04; F21S
8/06; F21S 8/043; F21S 8/026; F21S
8/063; F21S 8/02

See application file for complete search history.

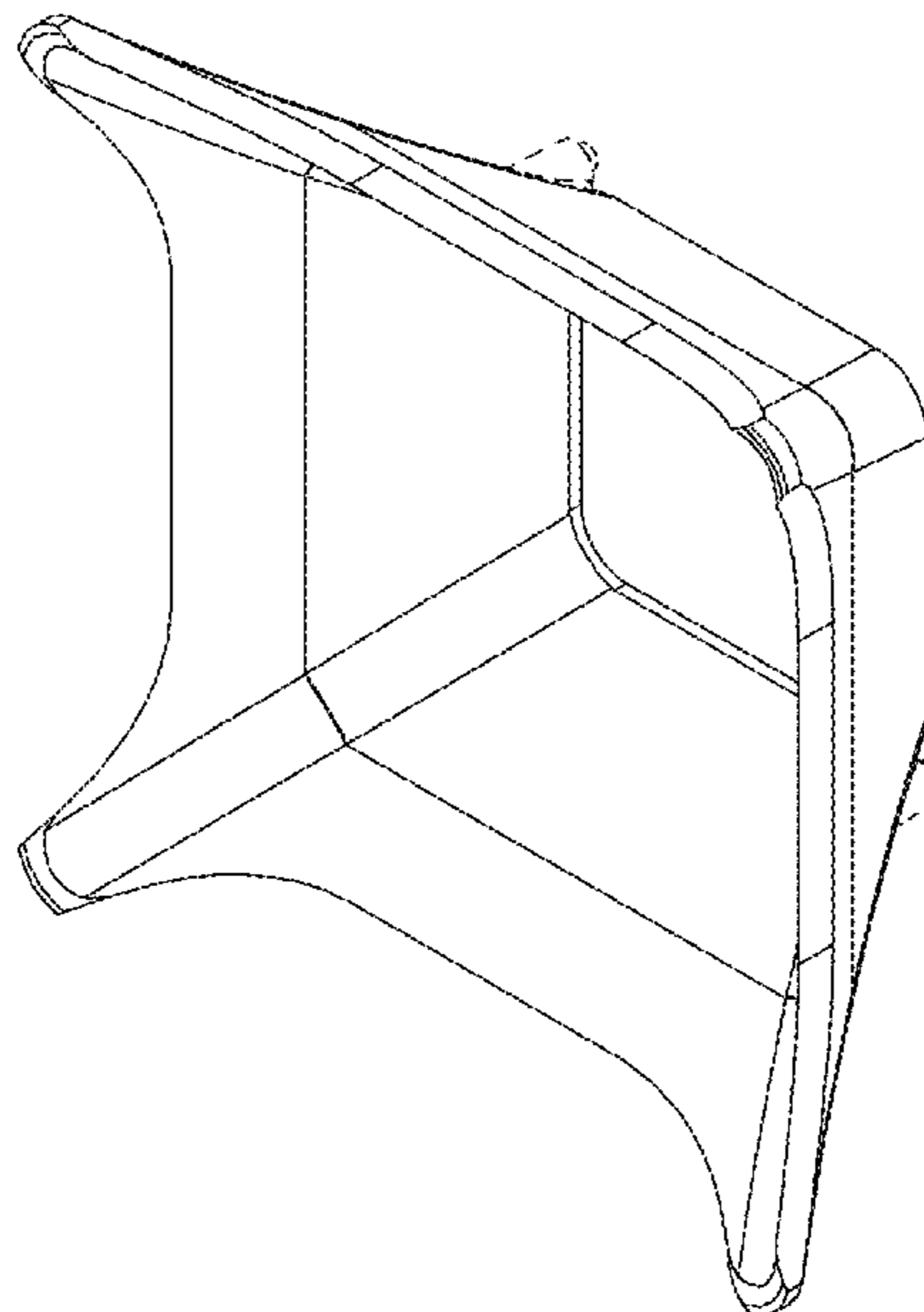
(56) **References Cited**

U.S. PATENT DOCUMENTS

D339,647 S * 9/1993 Kawashima D26/118
D439,008 S * 3/2001 Kim D26/118
D690,875 S * 10/2013 McKenzie D26/118
D707,872 S * 6/2014 Piano D26/118

The broken lines in the drawings illustrate portions of the reflector which form no part of the claimed design and environmental structure which also forms no part of the claimed design.

1 Claim, 19 Drawing Sheets



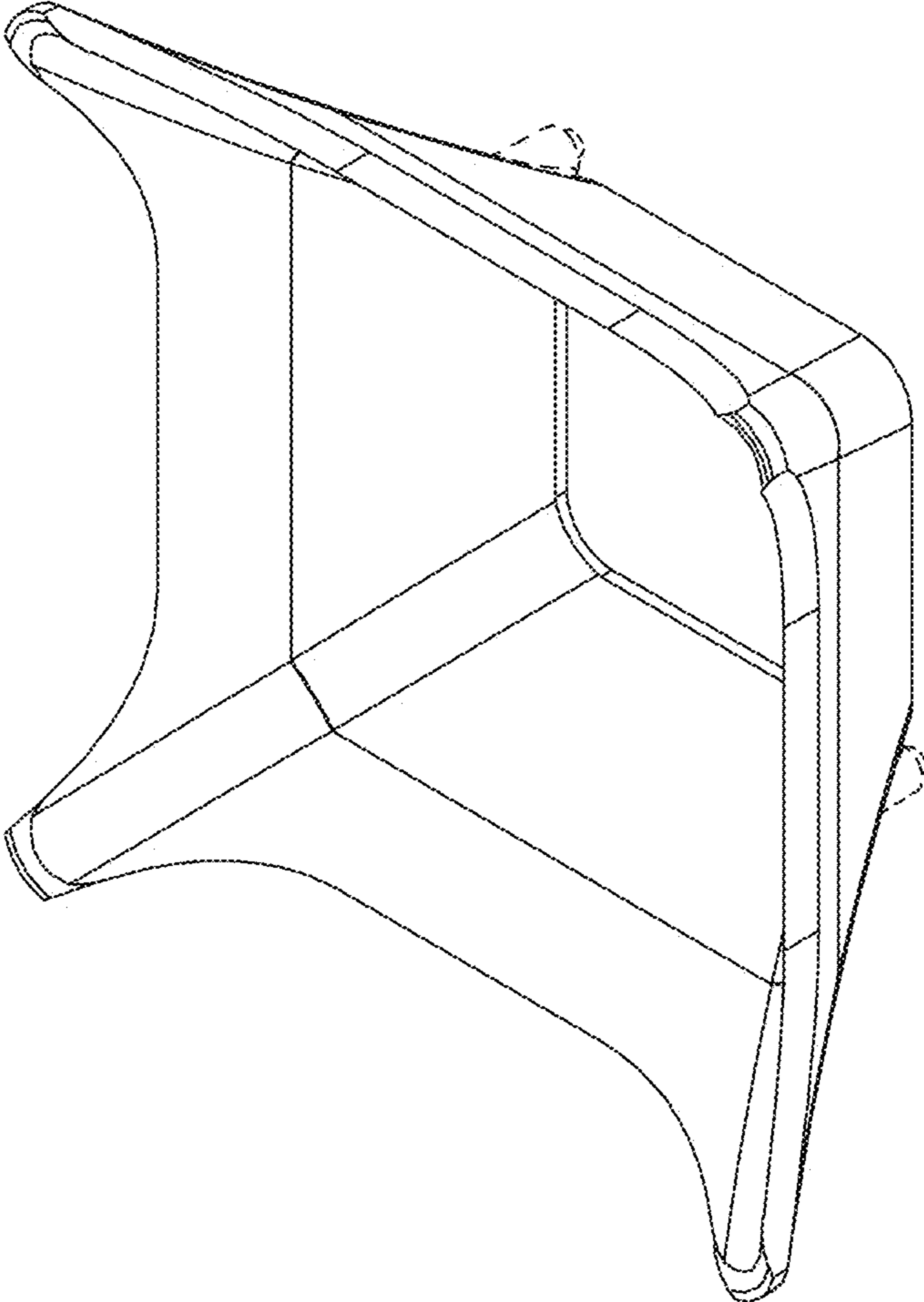


FIG. 1

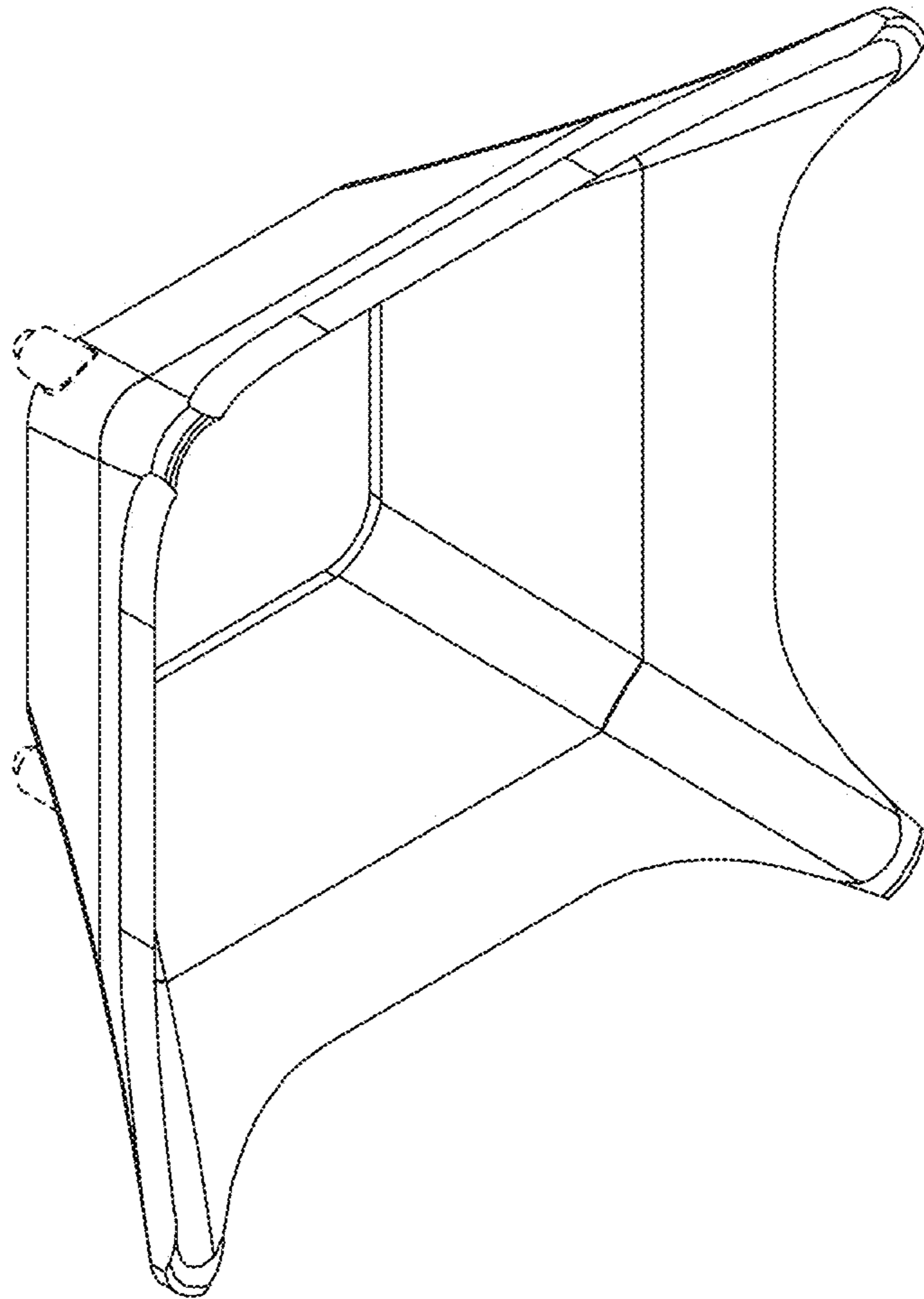


FIG. 2

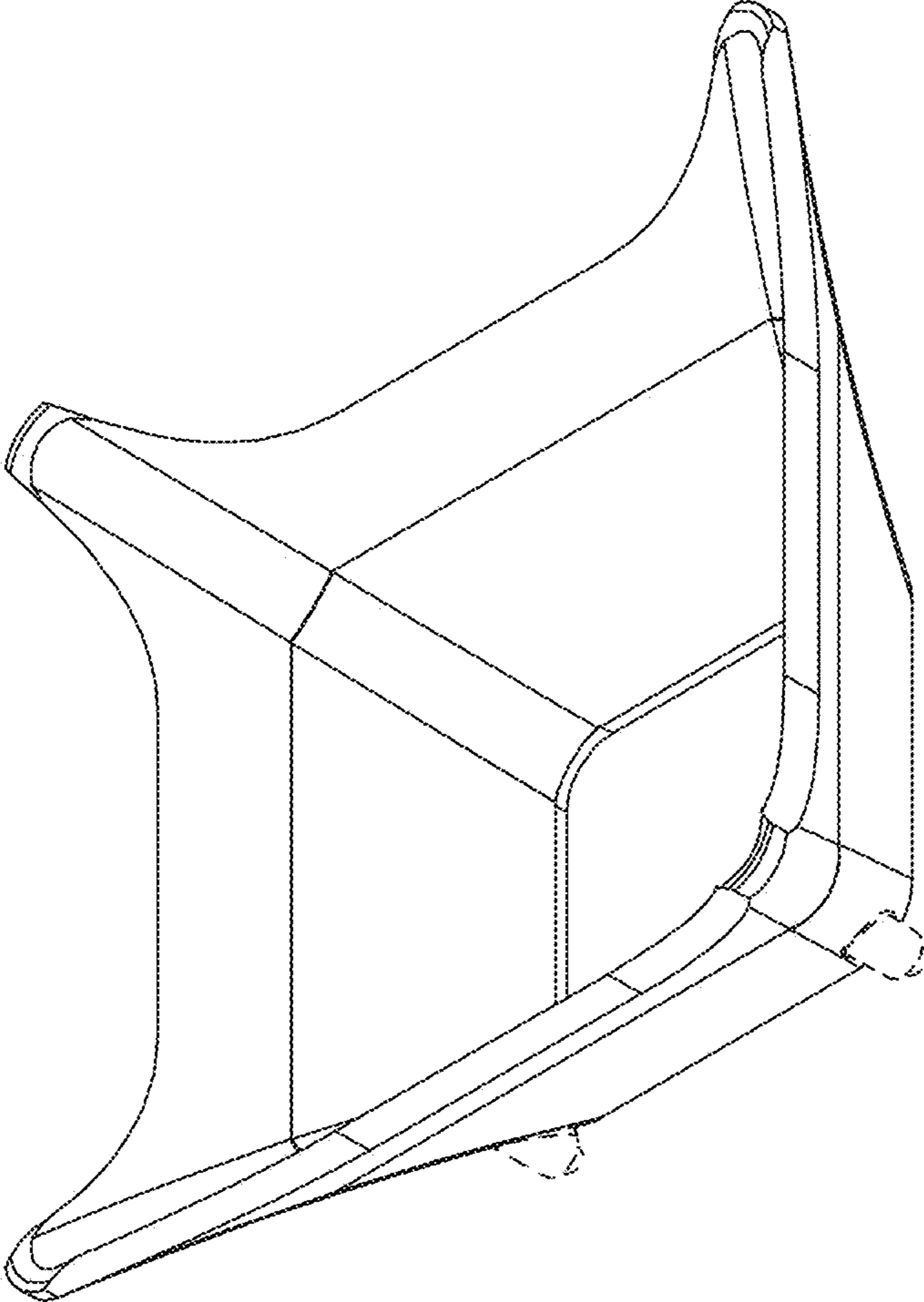


FIG. 3

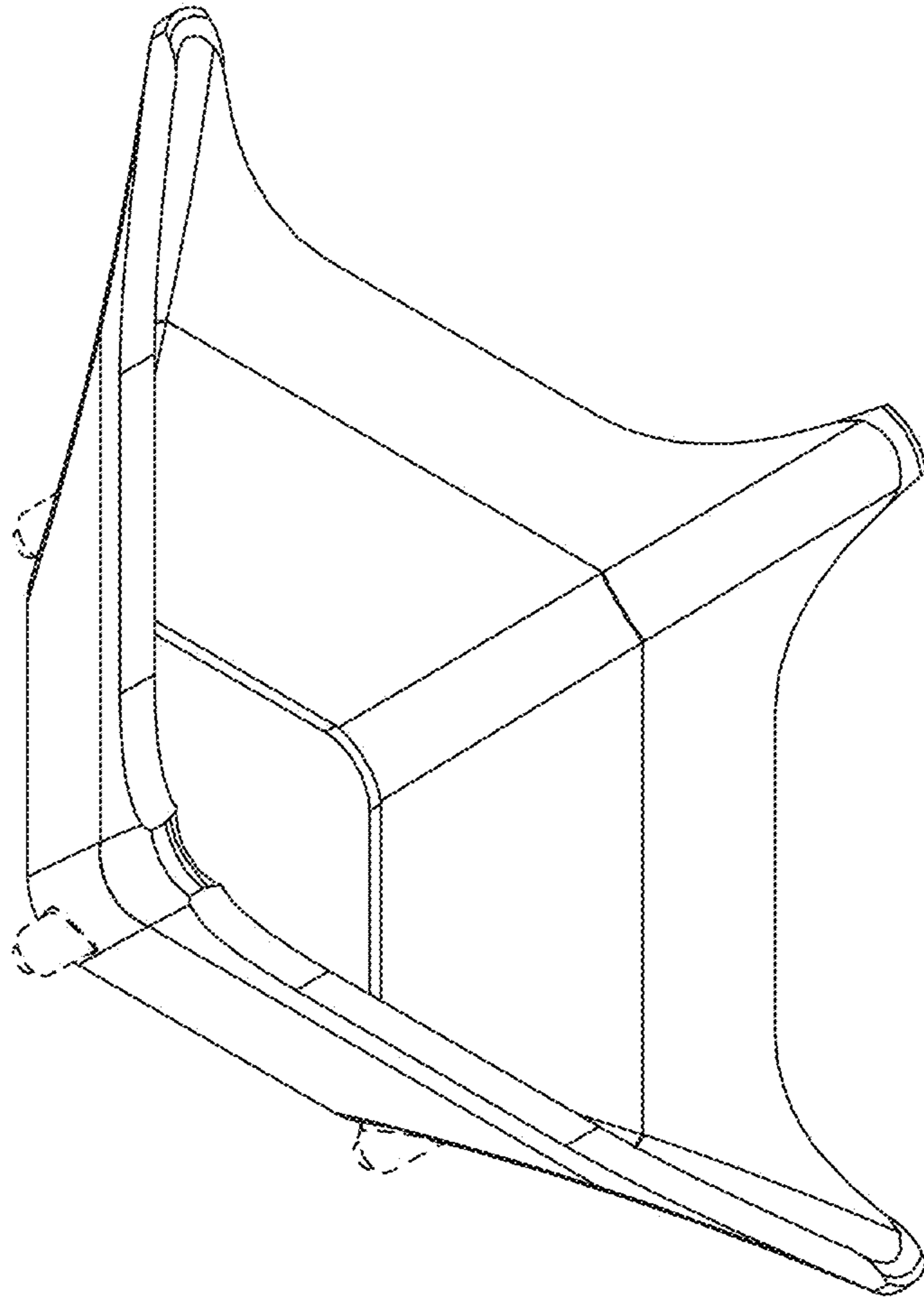


FIG. 4

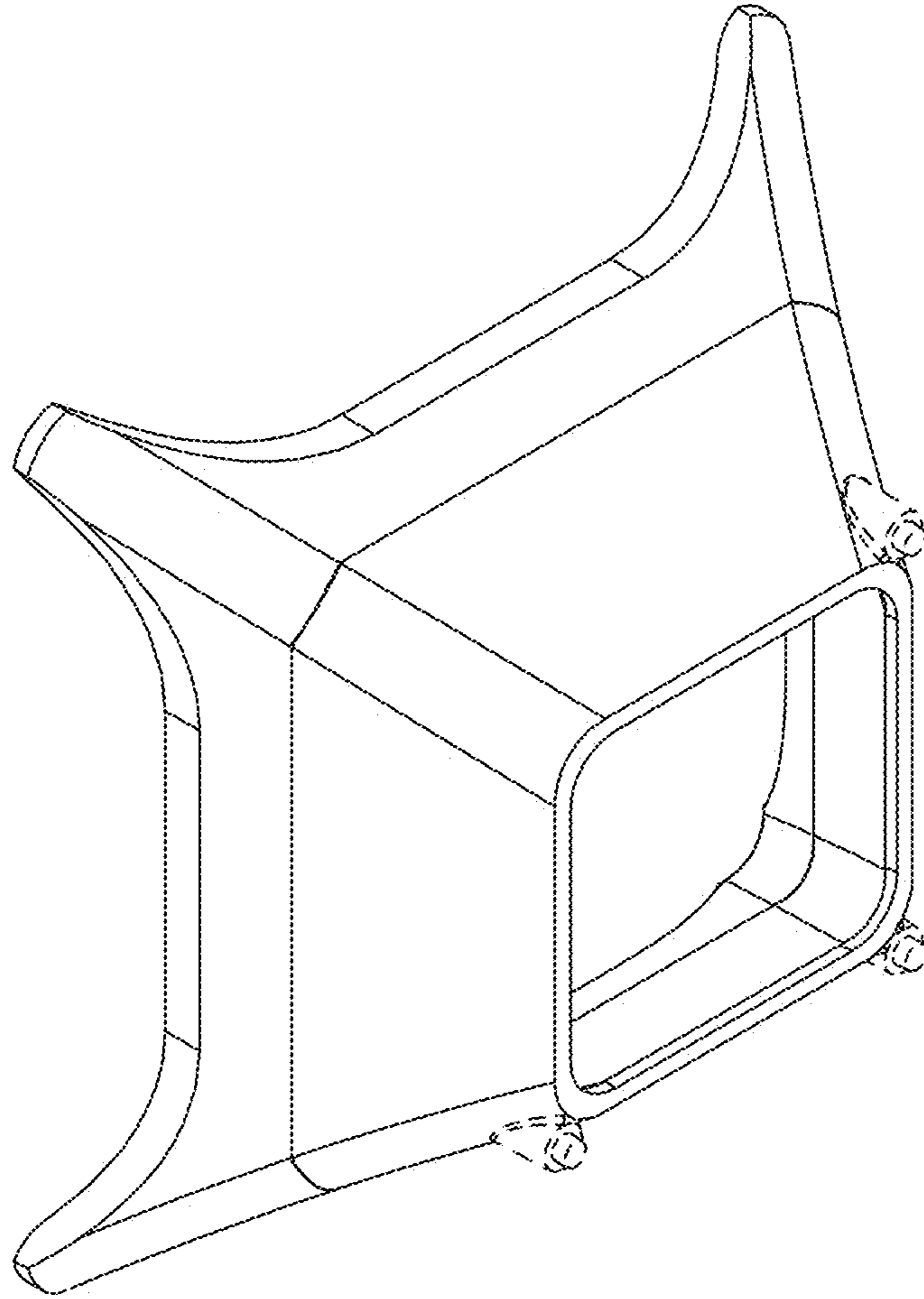


FIG. 5

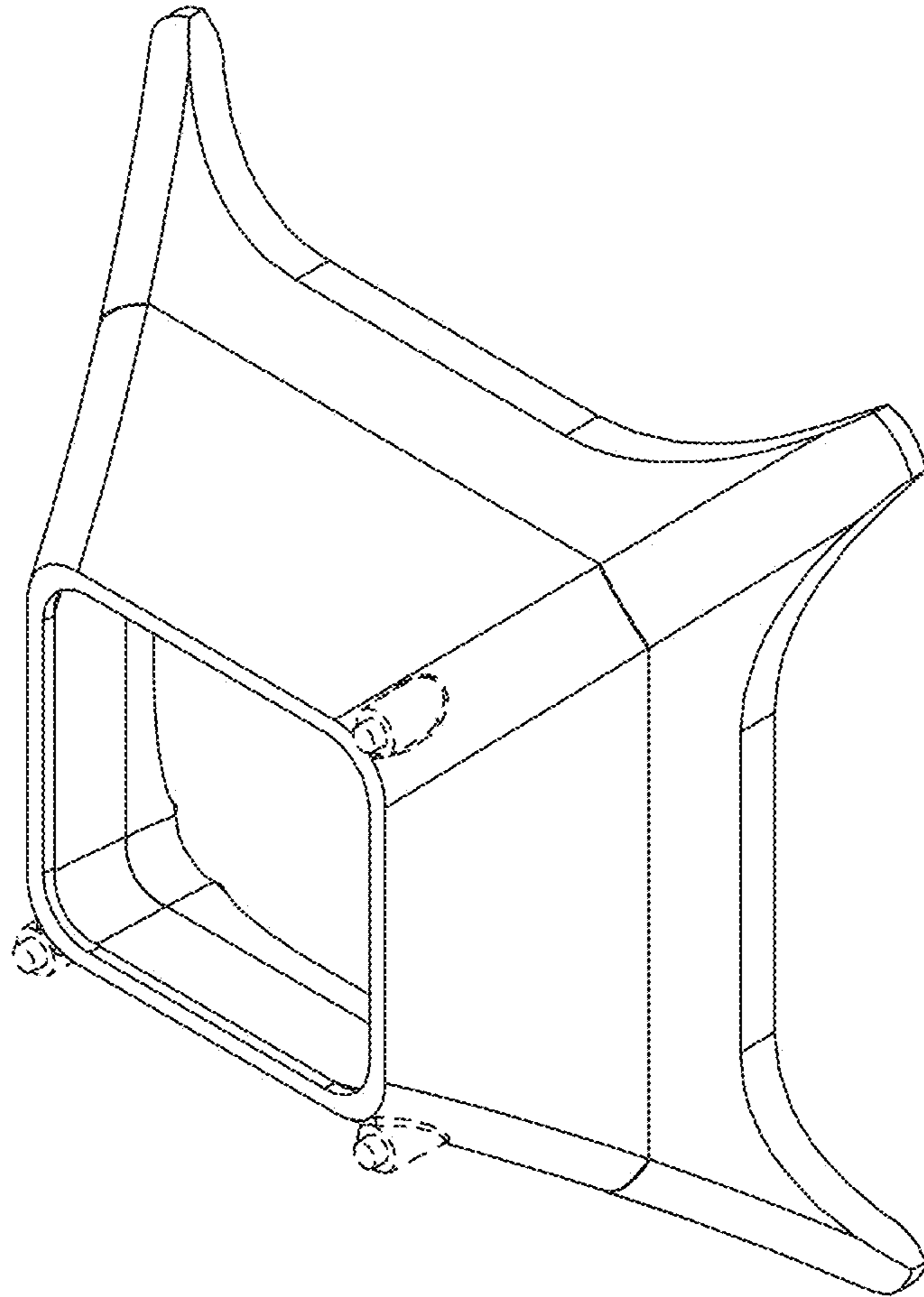


FIG. 6

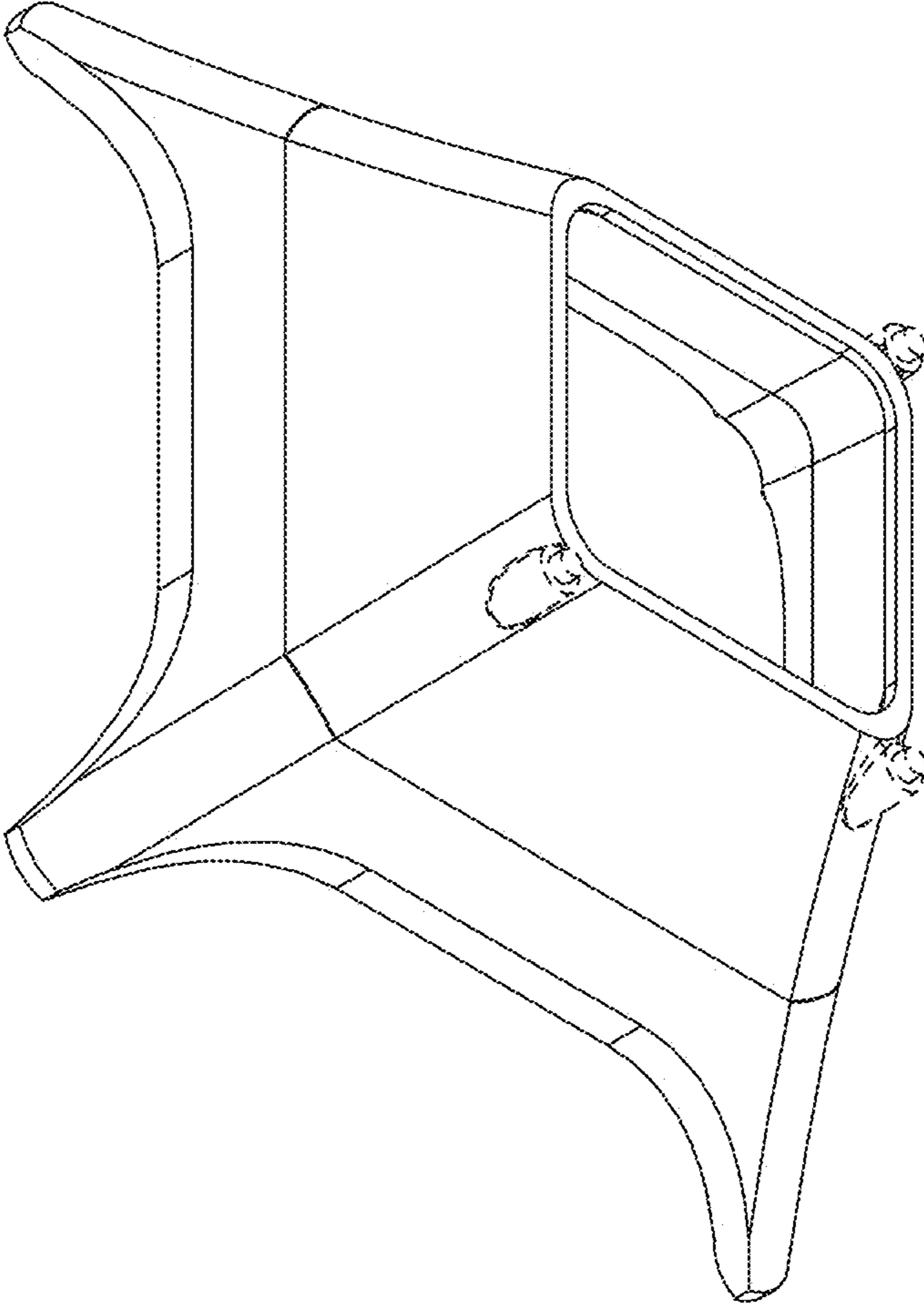


FIG. 7

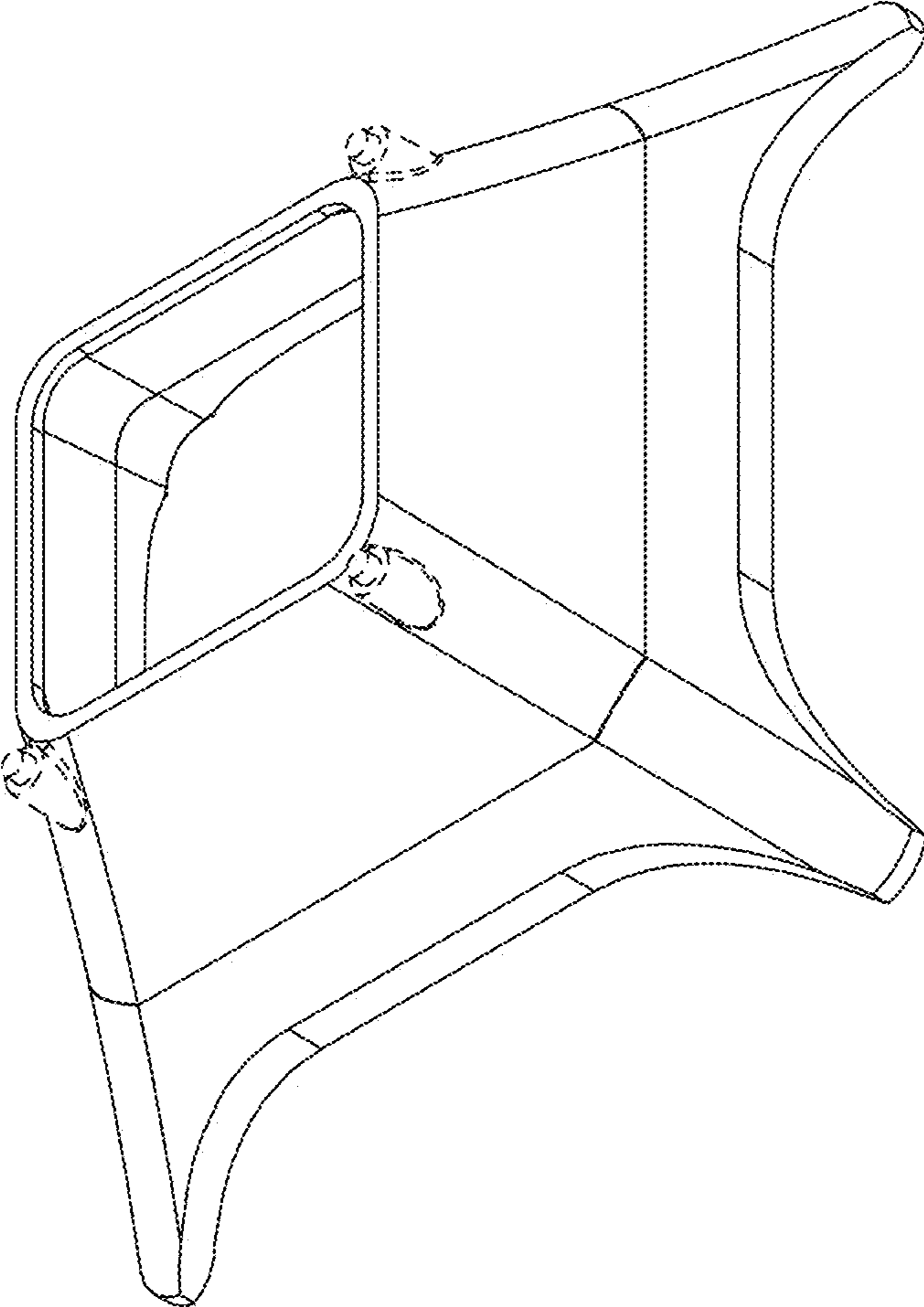


FIG. 8

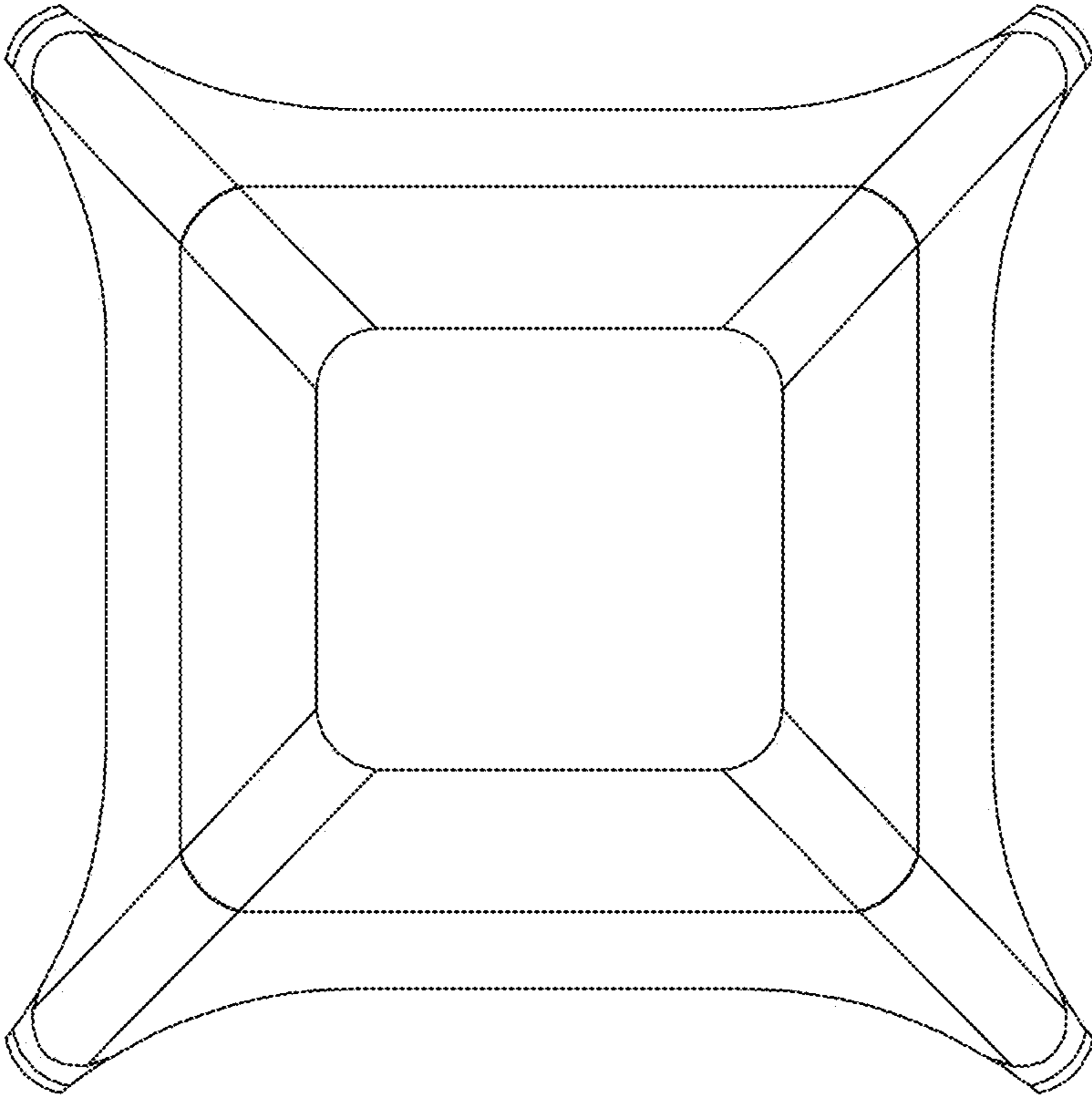


FIG. 9

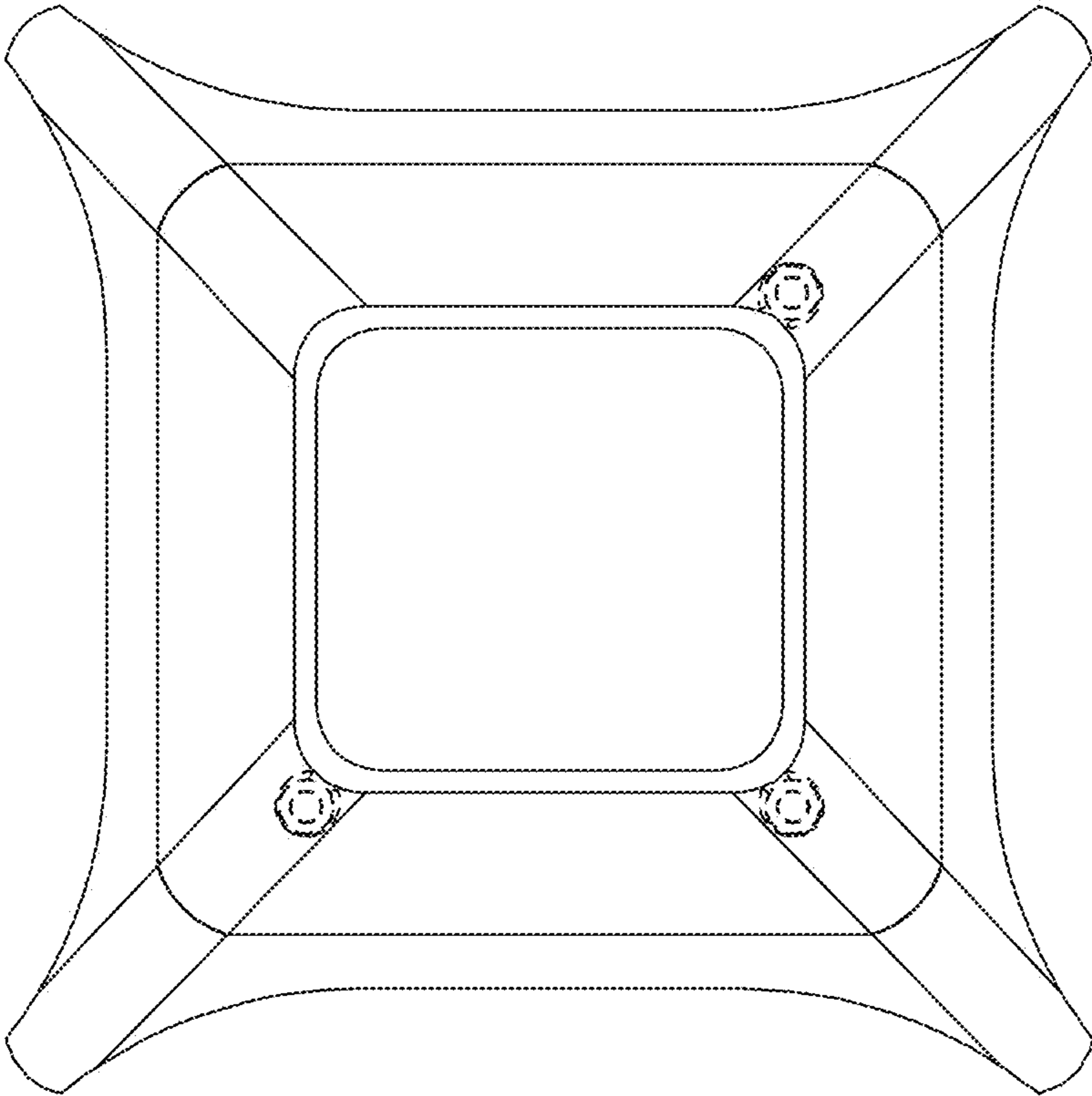


FIG. 10

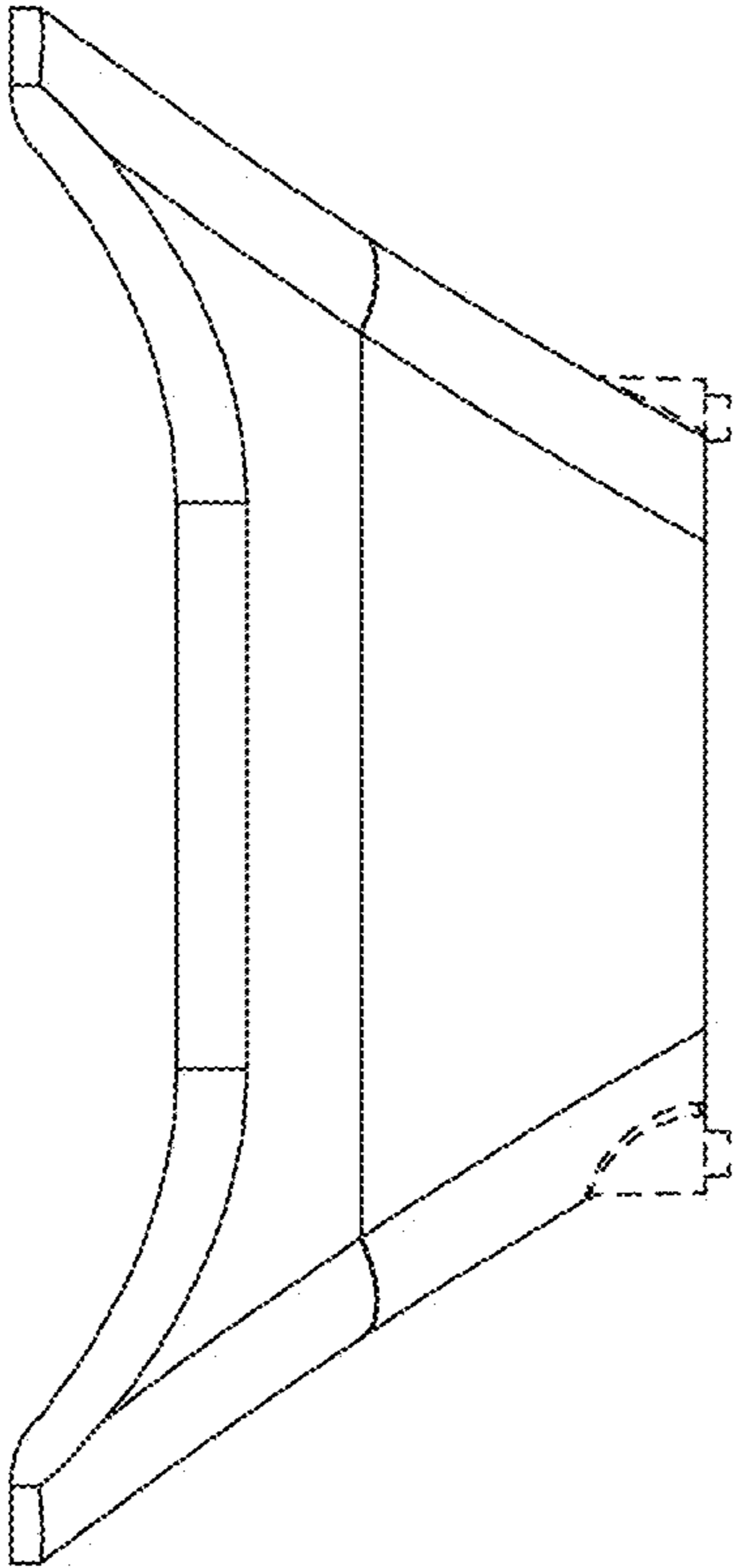


FIG. 11

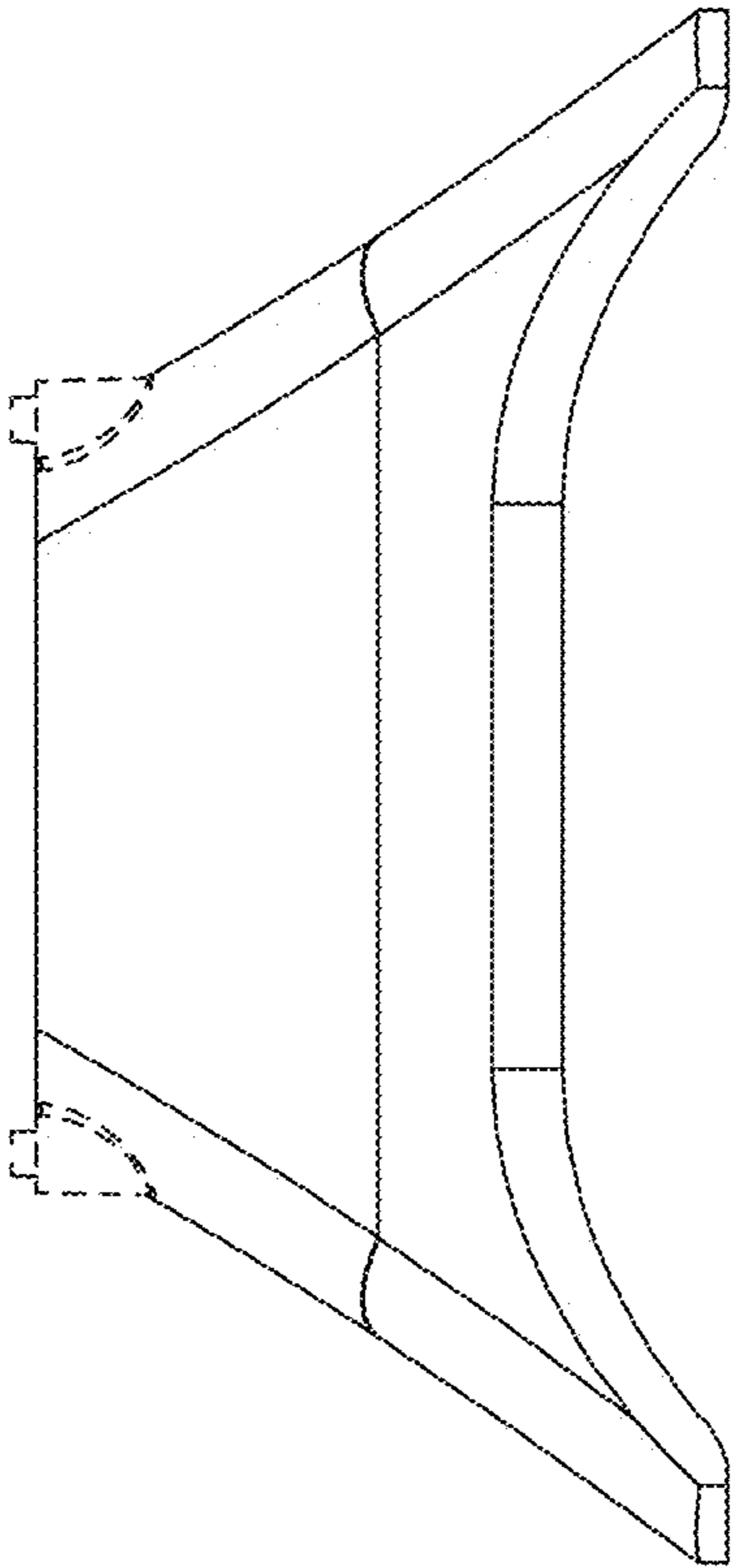


FIG. 12

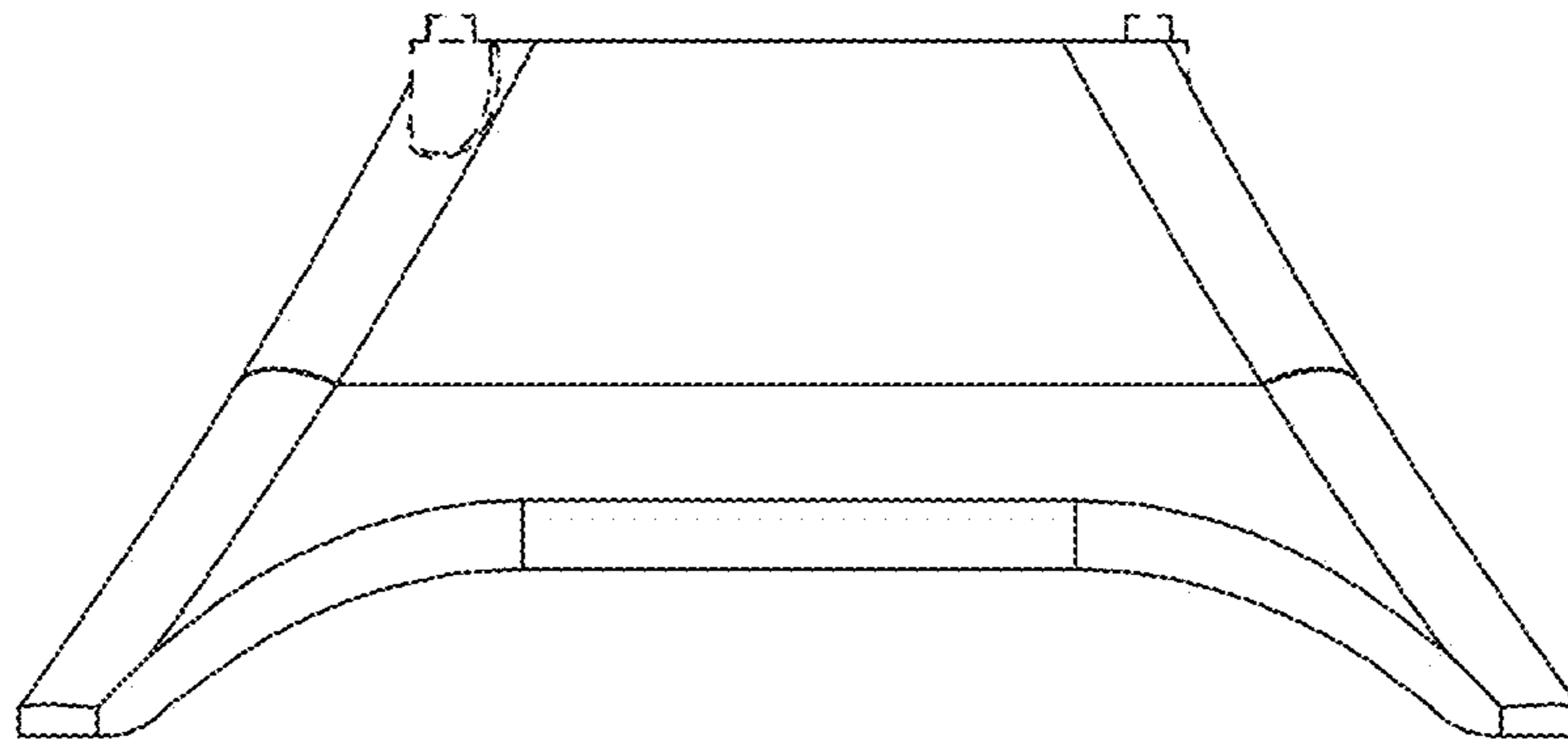


FIG. 13

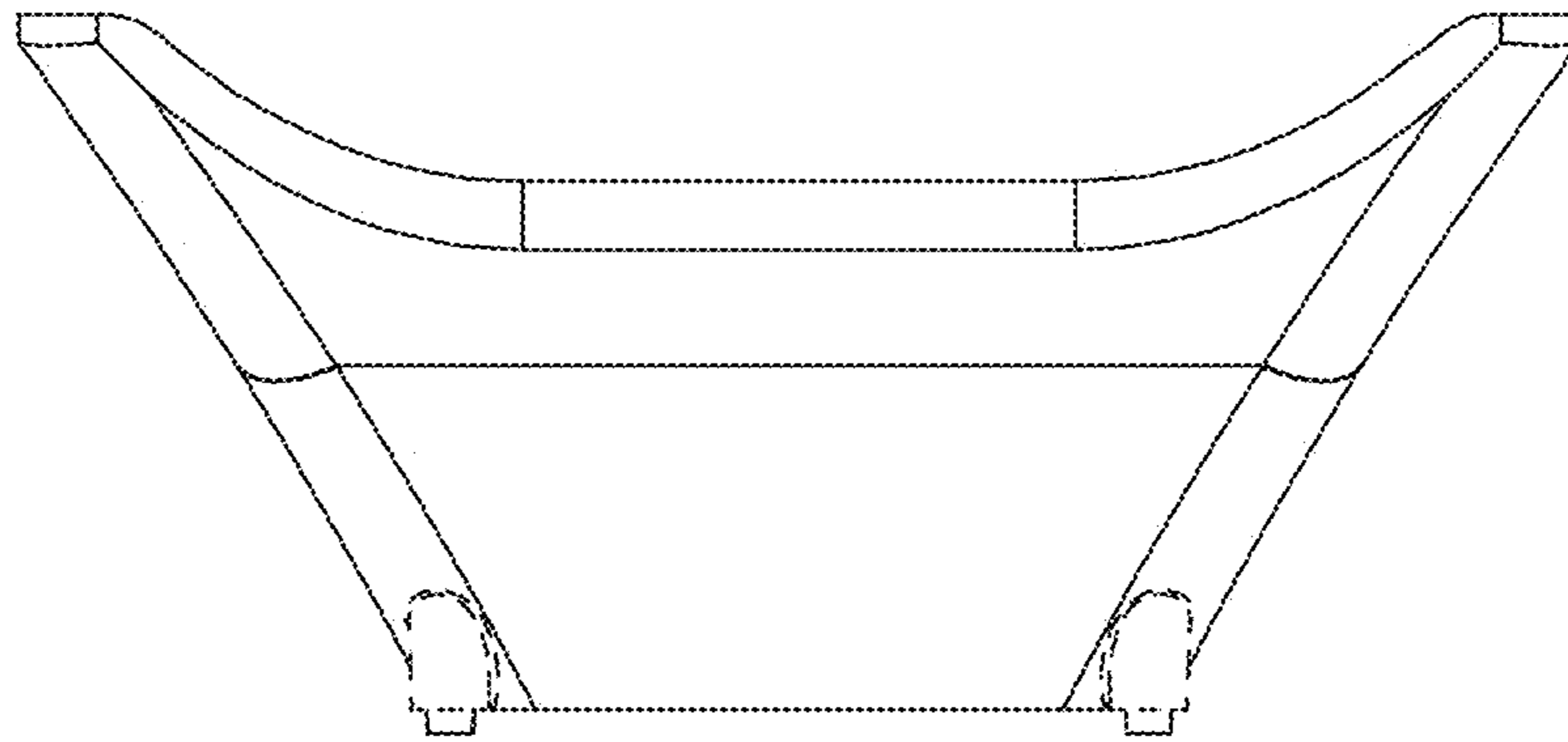


FIG. 14

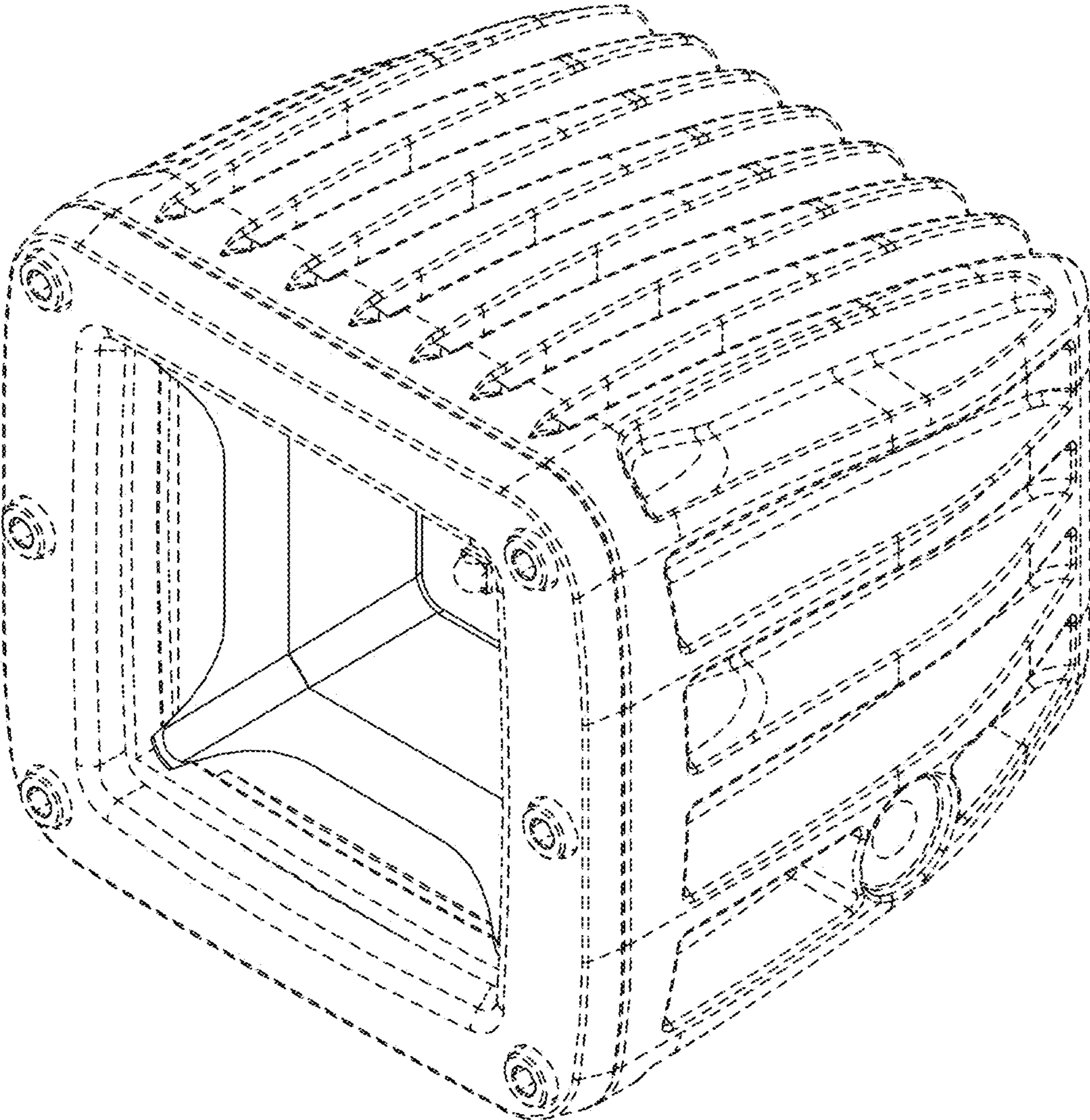


FIG. 15

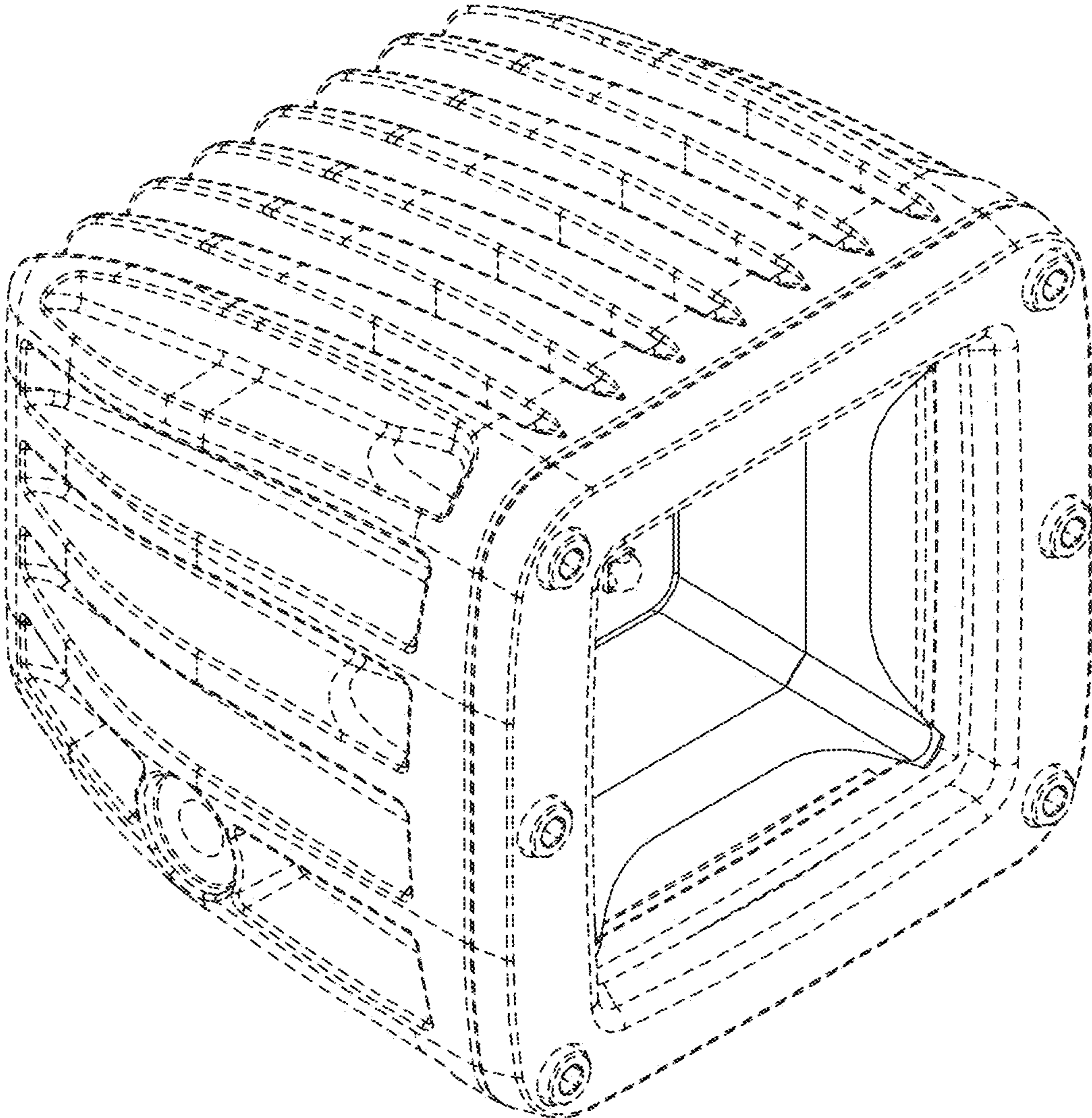


FIG. 16

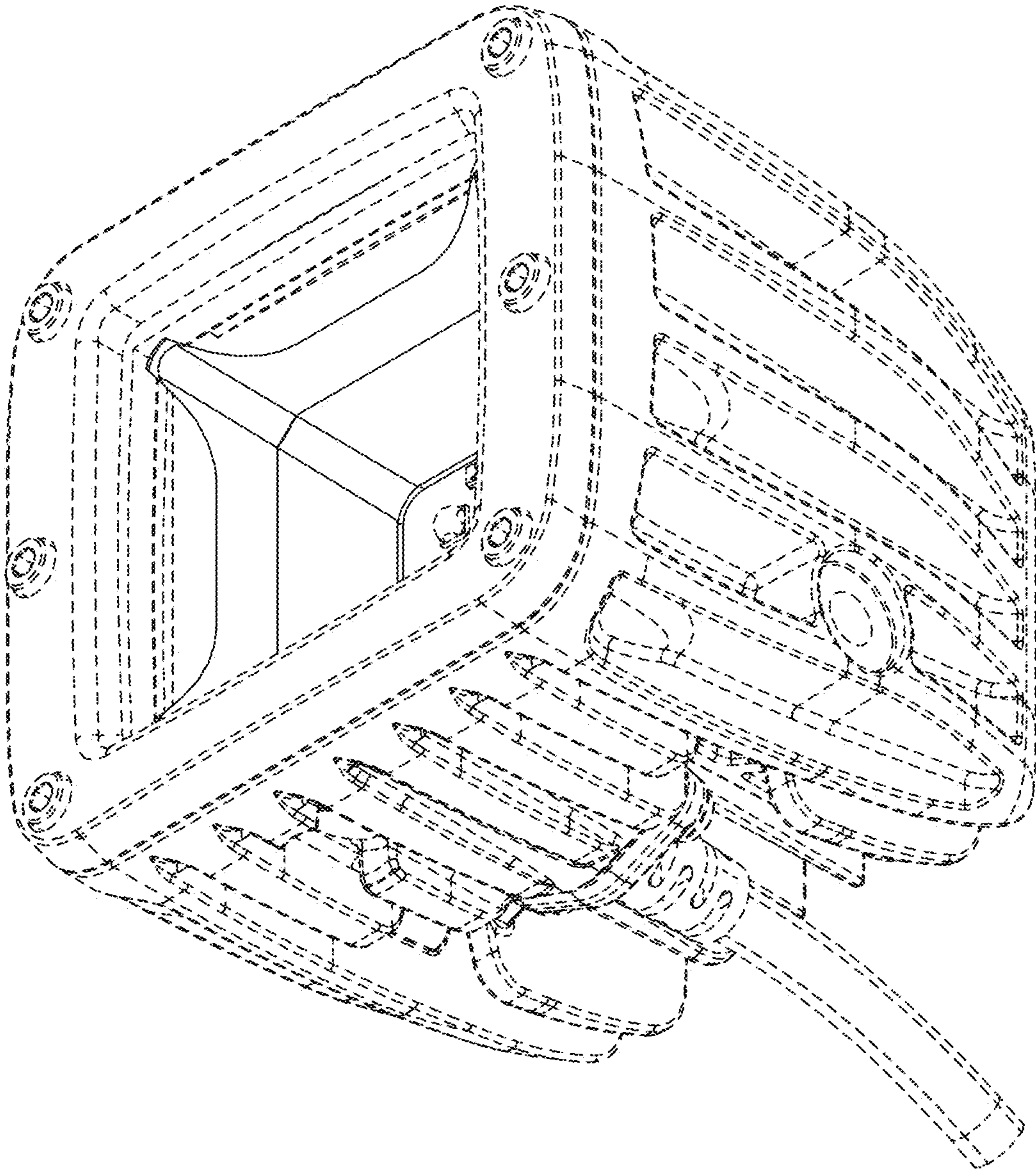


FIG. 17

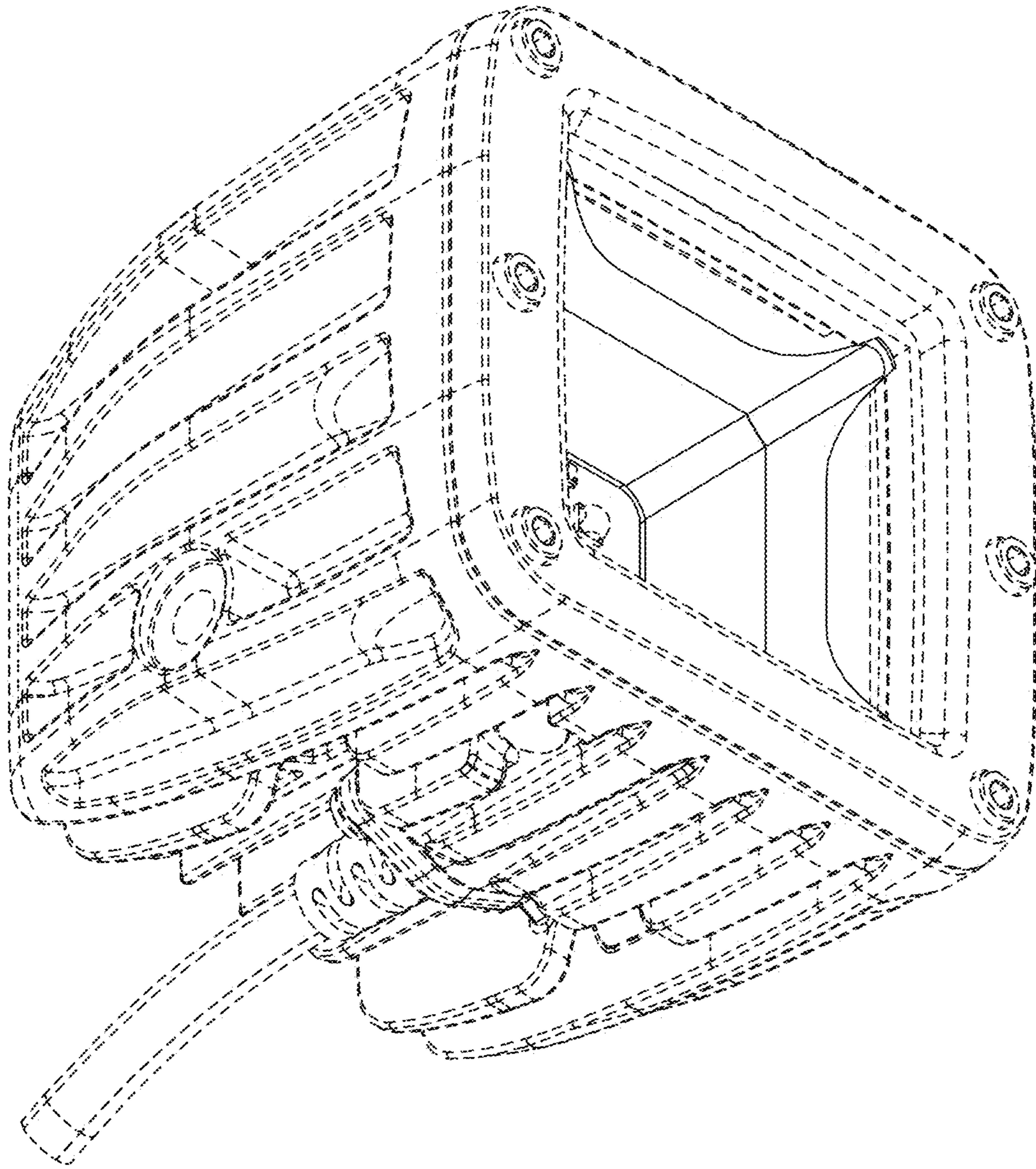


FIG. 18

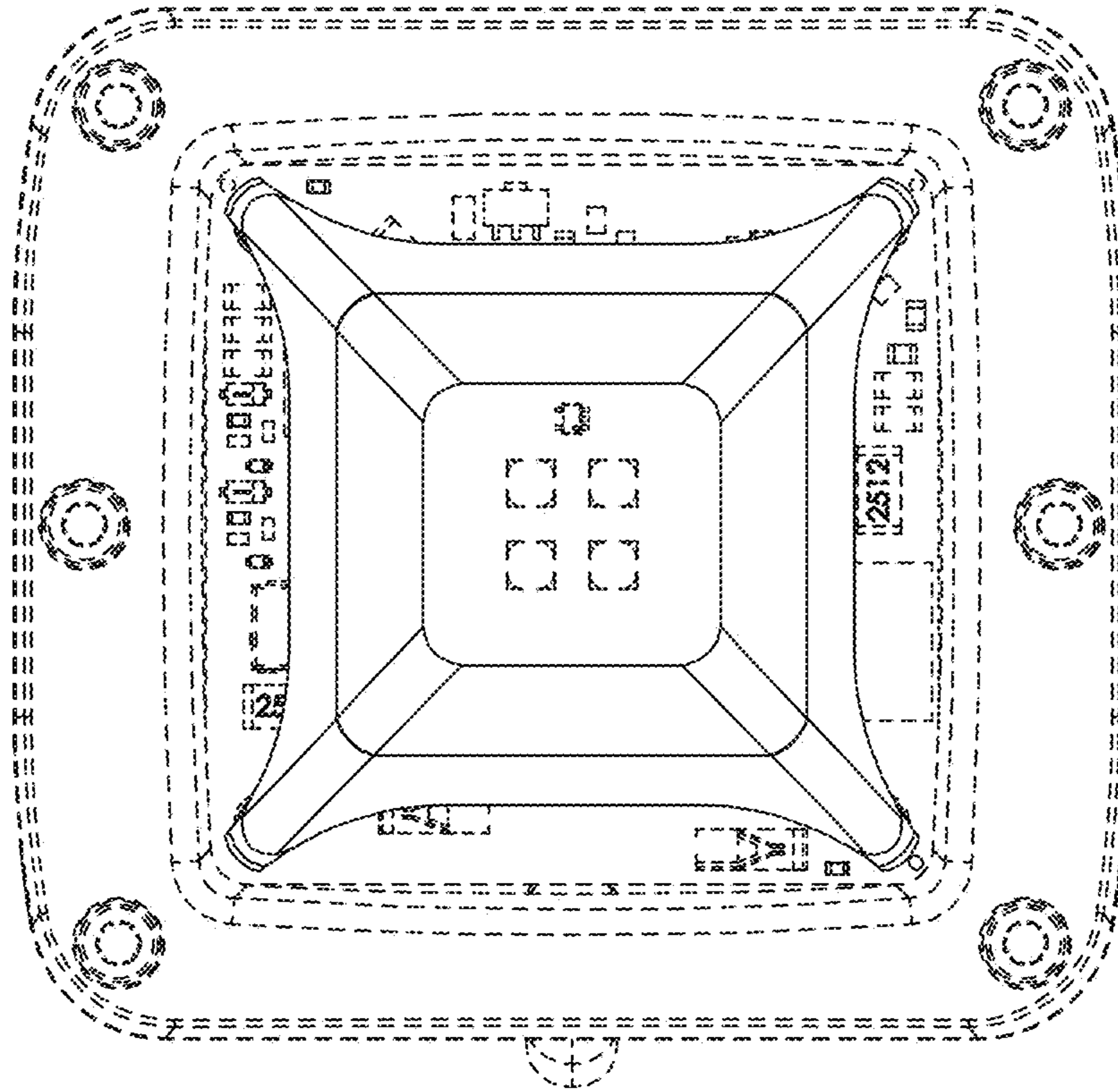


FIG. 19