



US00D960424S

(12) **United States Design Patent**
Zheng et al.

(10) **Patent No.:** **US D960,424 S**

(45) **Date of Patent:** **** Aug. 9, 2022**

(54) **LED GROW LIGHT**

(71) Applicant: **Guangzhou Natural Light Intelligent Lighting Appliance Co., Ltd.**,
Guangdong (CN)

(72) Inventors: **Zexin Zheng**, Guangdong (CN); **Xibiao Xu**, Guangdong (CN); **Hua Zheng**,
Guangdong (CN); **Xiaojun Zheng**,
Guangdong (CN); **Hailiang Zheng**,
Guangdong (CN)

(**) Term: **15 Years**

(21) Appl. No.: **29/677,495**

(22) Filed: **Jan. 22, 2019**

(30) **Foreign Application Priority Data**

Nov. 15, 2018 (CN) 201830649401.9

(51) **LOC (13) Cl.** **26-04**

(52) **U.S. Cl.**
USPC **D26/76**

(58) **Field of Classification Search**
USPC D26/72, 74, 76, 78-83, 85, 86, 88, 90,
D26/93, 111, 113, 118-122, 138, 139,
D26/140, 141, 142, 152
CPC F21S 2/00; F21S 4/00; F21S 4/003; F21S
4/005; F21S 4/006; F21S 4/007; F21S
4/008; F21S 6/00; F21S 8/00; F21S
8/024; F21S 8/026; F21S 8/031; F21S
8/033; F21S 8/035-037; F21S 8/04; F21S
8/043; F21S 8/063

See application file for complete search history.

(56) **References Cited**

U.S. PATENT DOCUMENTS

D463,059 S * 9/2002 Verfuert D26/78
D653,791 S * 2/2012 Toyohisa D26/80
D804,077 S * 11/2017 Ma D26/76

D807,567 S * 1/2018 Tweel D26/118
D822,885 S * 7/2018 Tweel D26/118
D822,886 S * 7/2018 Tweel D26/118

(Continued)

Primary Examiner — Natasha Vujcic

(74) *Attorney, Agent, or Firm* — Rumit Ranjit Kanakia

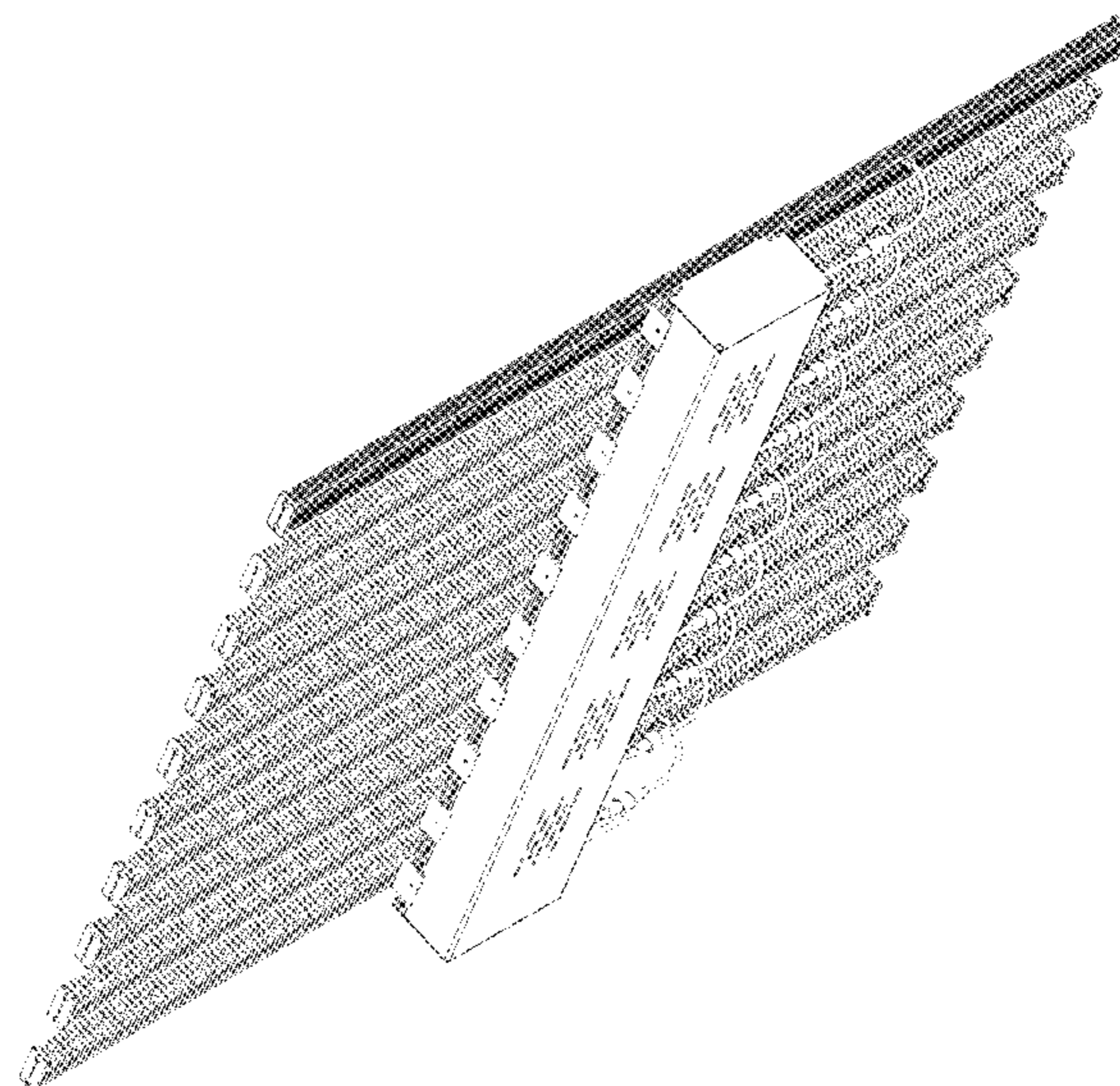
(57) **CLAIM**

The ornamental design for a LED grow light, as shown and described.

DESCRIPTION

FIG. 1 is a front elevational view of a LED grow light showing our new design;
FIG. 2 is a rear elevational view thereof;
FIG. 3 is a left side view thereof;
FIG. 4 is a right side view thereof;
FIG. 5 is an enlarged top plan view thereof;
FIG. 6 is an enlarged bottom plan view thereof;
FIG. 7 is a front, left side perspective view of the first component, illustrated separately for clarity purpose;
FIG. 8 is an enlarged rear, left side perspective view of the first component, illustrated separately for clarity purpose;
FIG. 9 is a front, right side perspective view of the first component, illustrated separately for clarity purpose;
FIG. 10 is another front, right side perspective view of the first component, illustrated separately for clarity purpose;
FIG. 11 is a first perspective view of the second component, illustrated separately for clarity purpose;
FIG. 12 is a second perspective view of the second component, illustrated separately for clarity purpose;
FIG. 13 is a perspective view showing the first and second components connected illustrating a condition of use of the LED grow light;
FIG. 14 is another perspective view of FIG. 13; and,
FIG. 15 is still another perspective view of FIG. 13.
The broken lines shown in LED grow light form no part of the claimed design.

1 Claim, 15 Drawing Sheets



(56)

References Cited

U.S. PATENT DOCUMENTS

D824,570	S	*	7/2018	Bobel	D26/76
D863,656	S	*	10/2019	Klase	D26/113
D868,337	S	*	11/2019	Deng	D26/76
D870,346	S	*	12/2019	Deng	D26/76
D910,898	S	*	2/2021	Chen	D26/76
D923,850	S	*	6/2021	Liu	D26/76
D928,381	S	*	8/2021	Xia	D26/76
2019/0056073	A1	*	2/2019	Ulloa	F21S 8/026
2020/0053967	A1	*	2/2020	Murphy	F21S 2/005

* cited by examiner

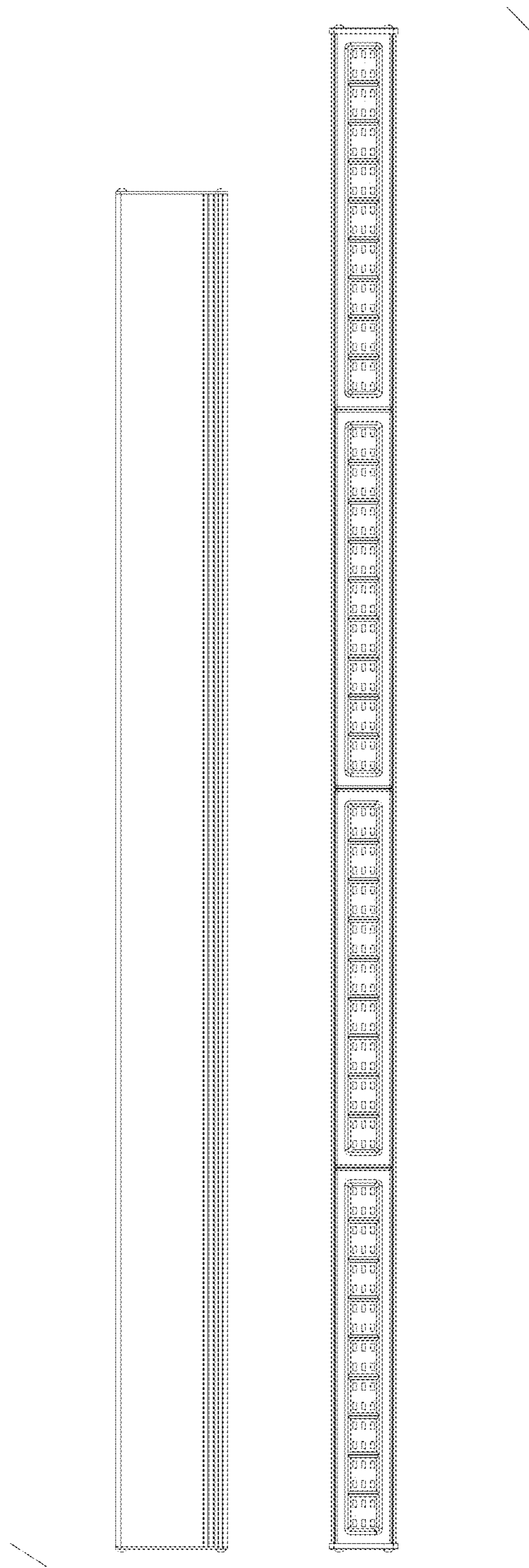


FIG. 1

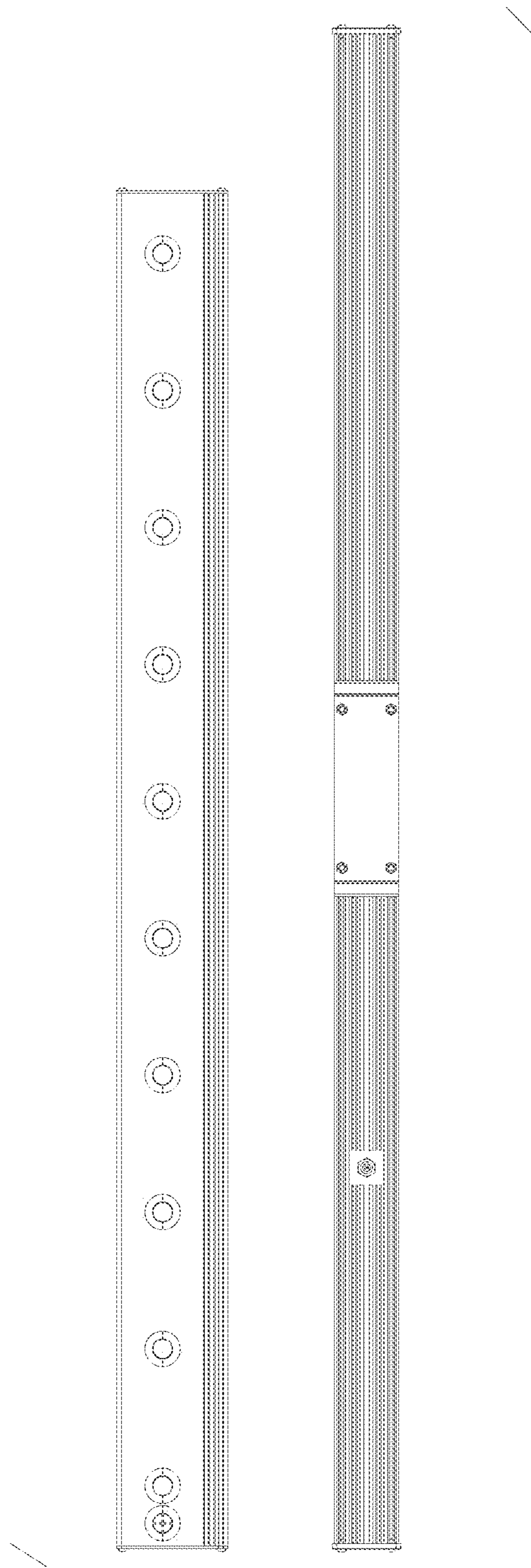


FIG. 2

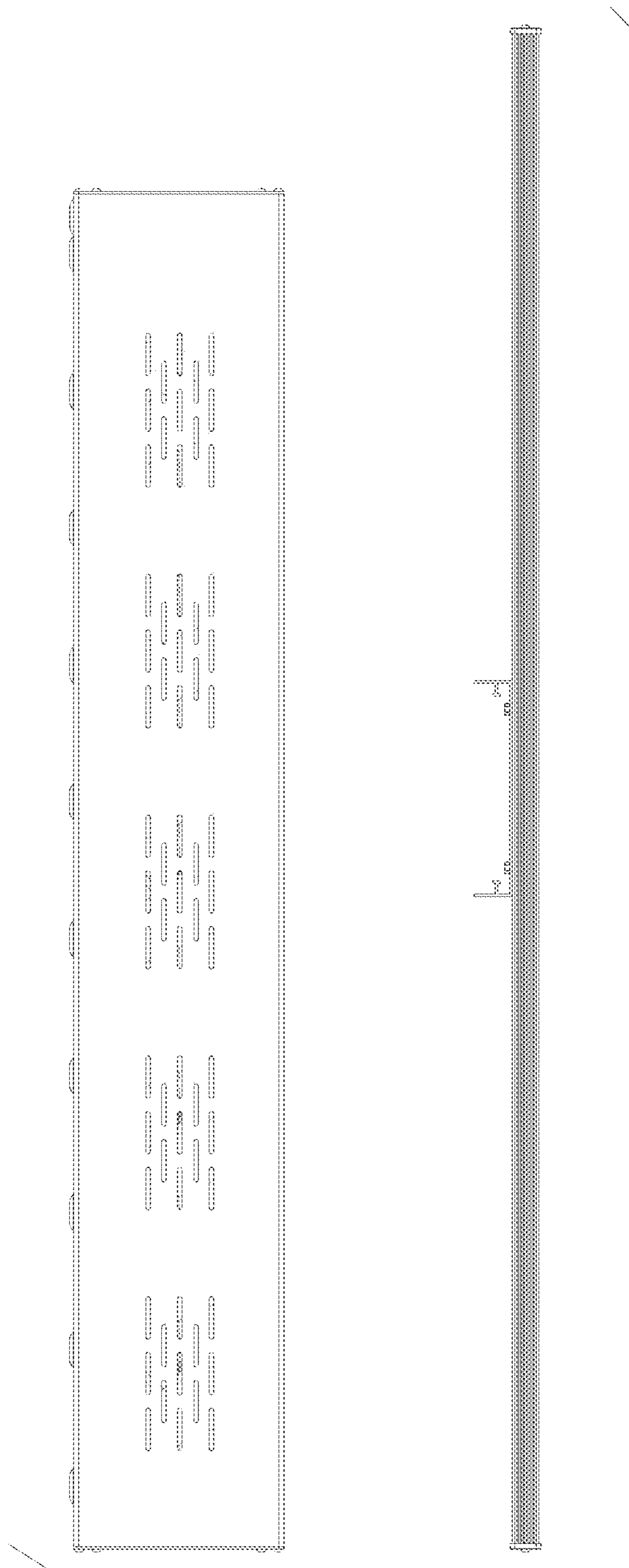


FIG. 3

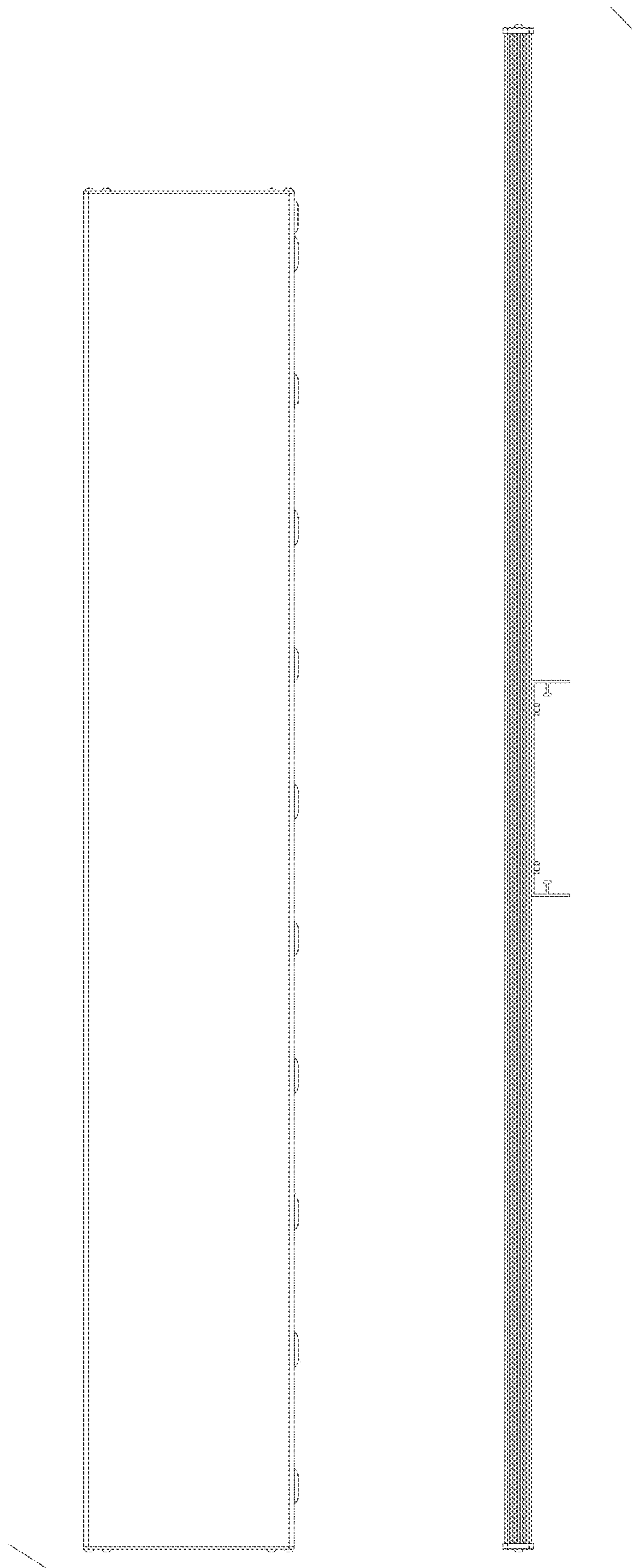


FIG. 4

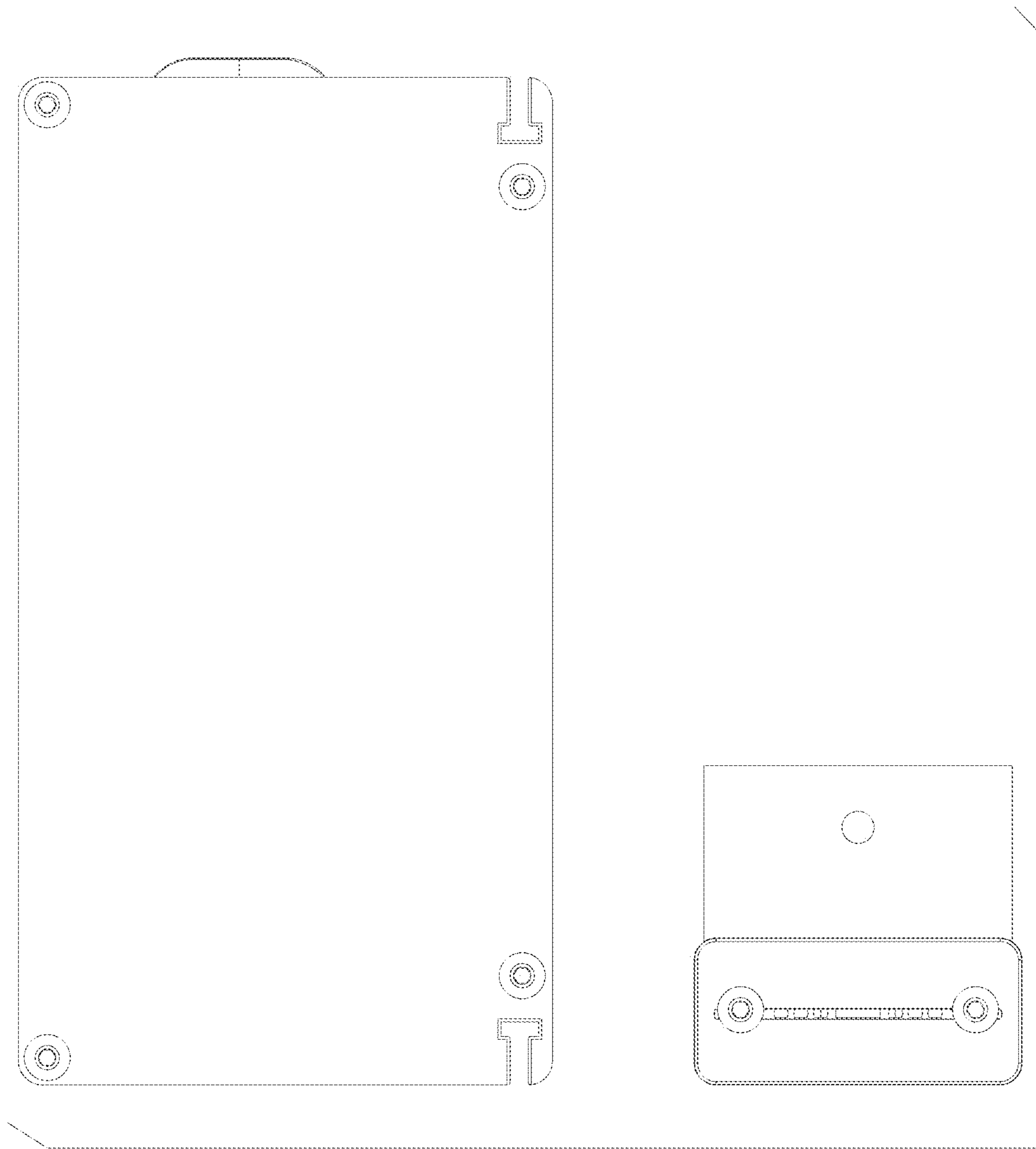


FIG. 5

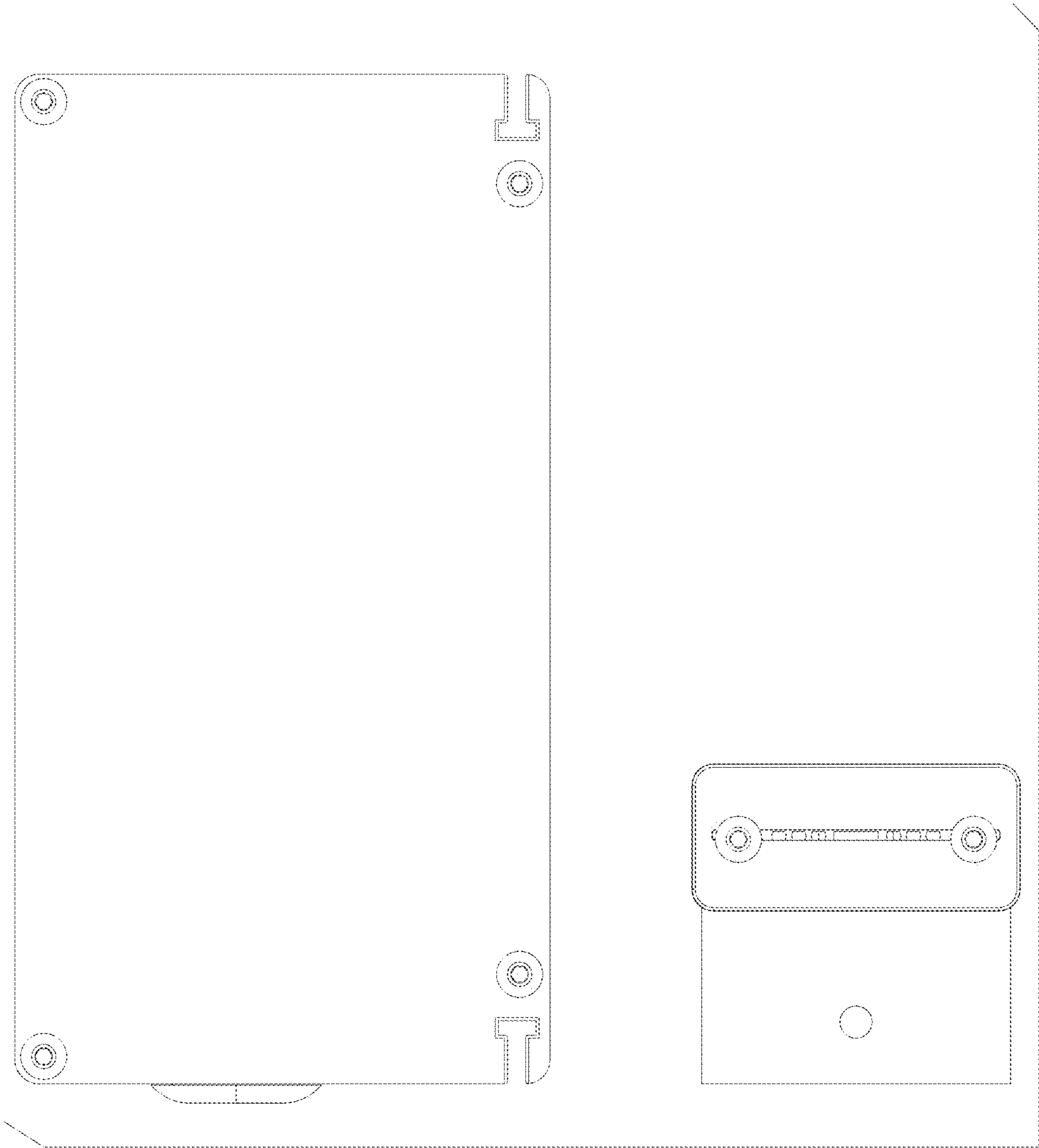


FIG. 6

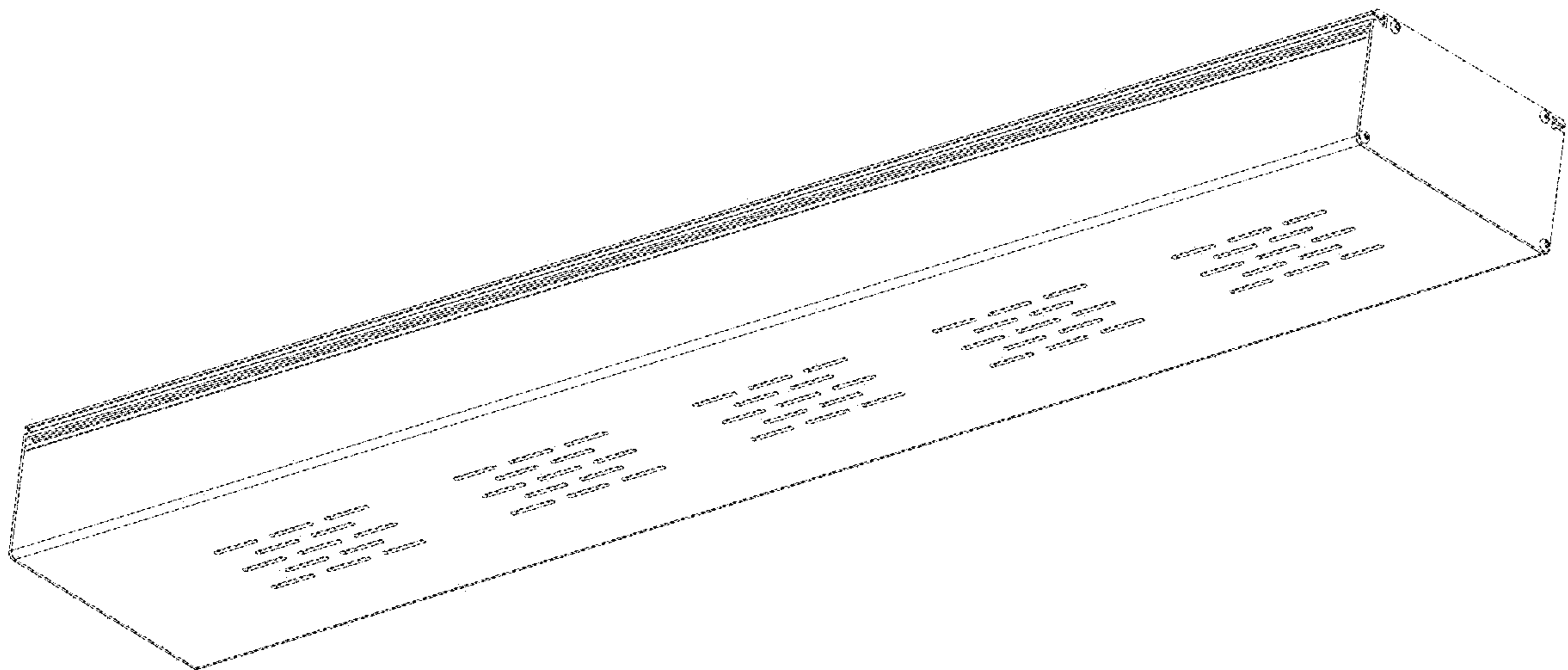


FIG. 7

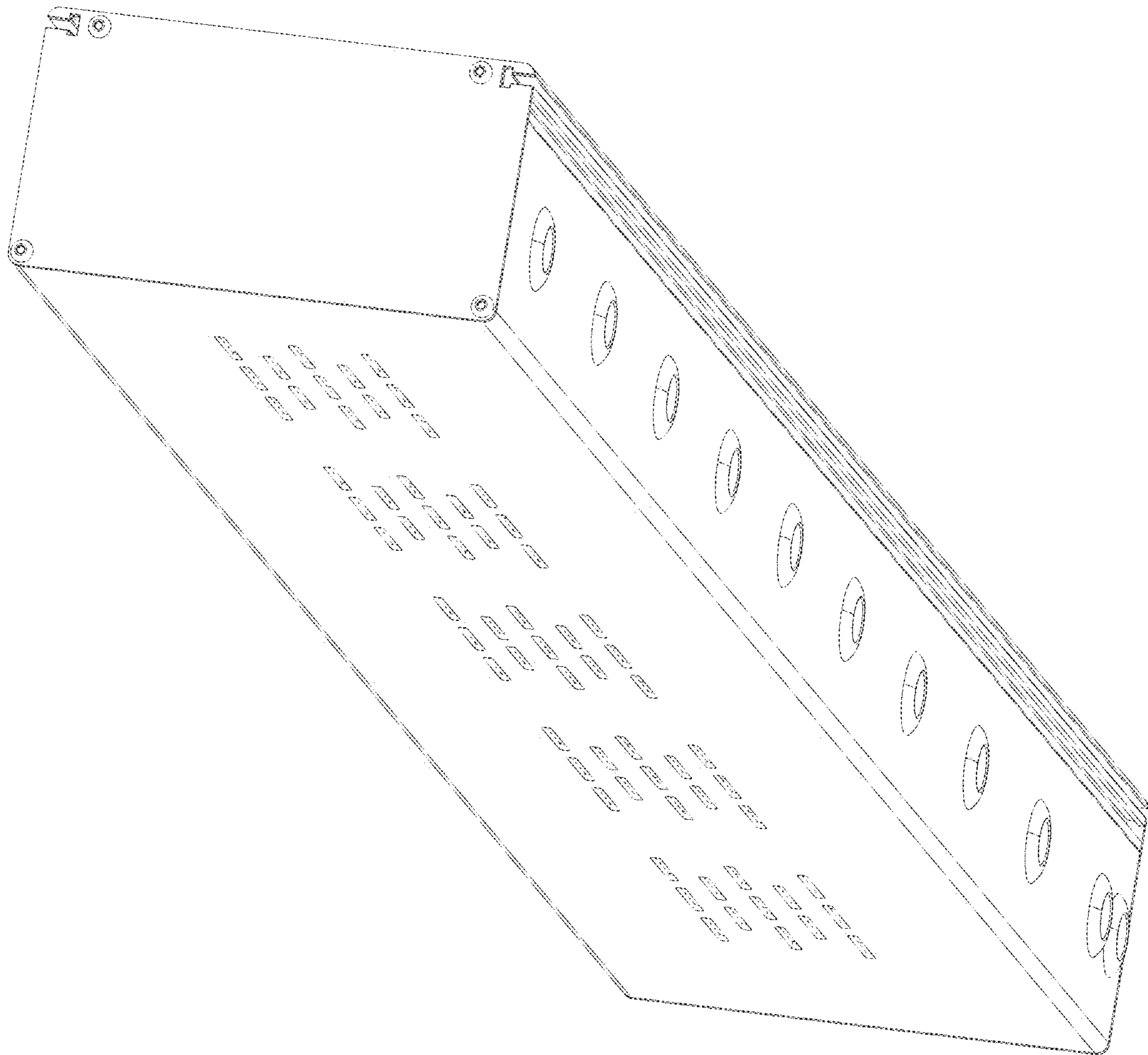


FIG. 8

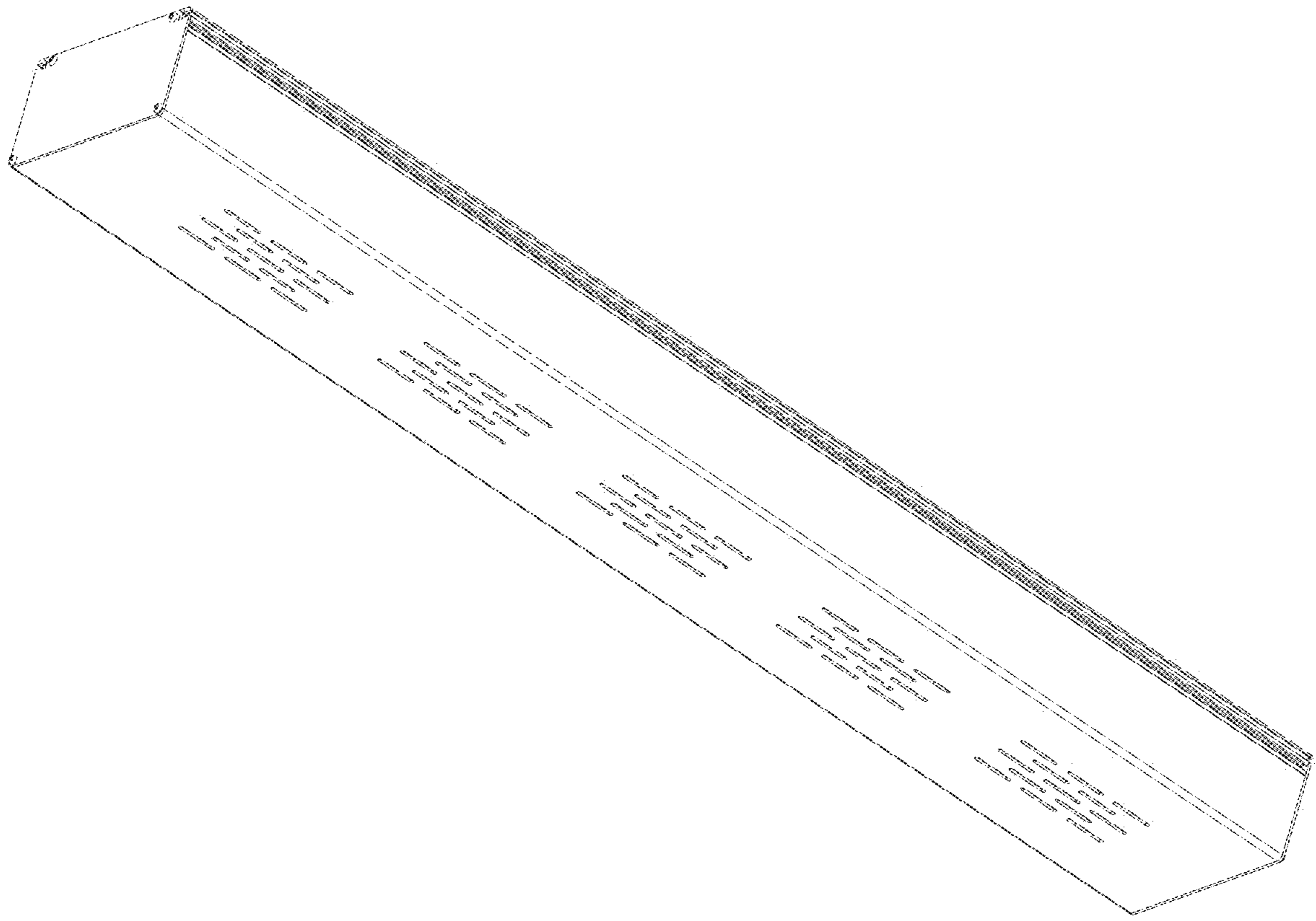


FIG. 9

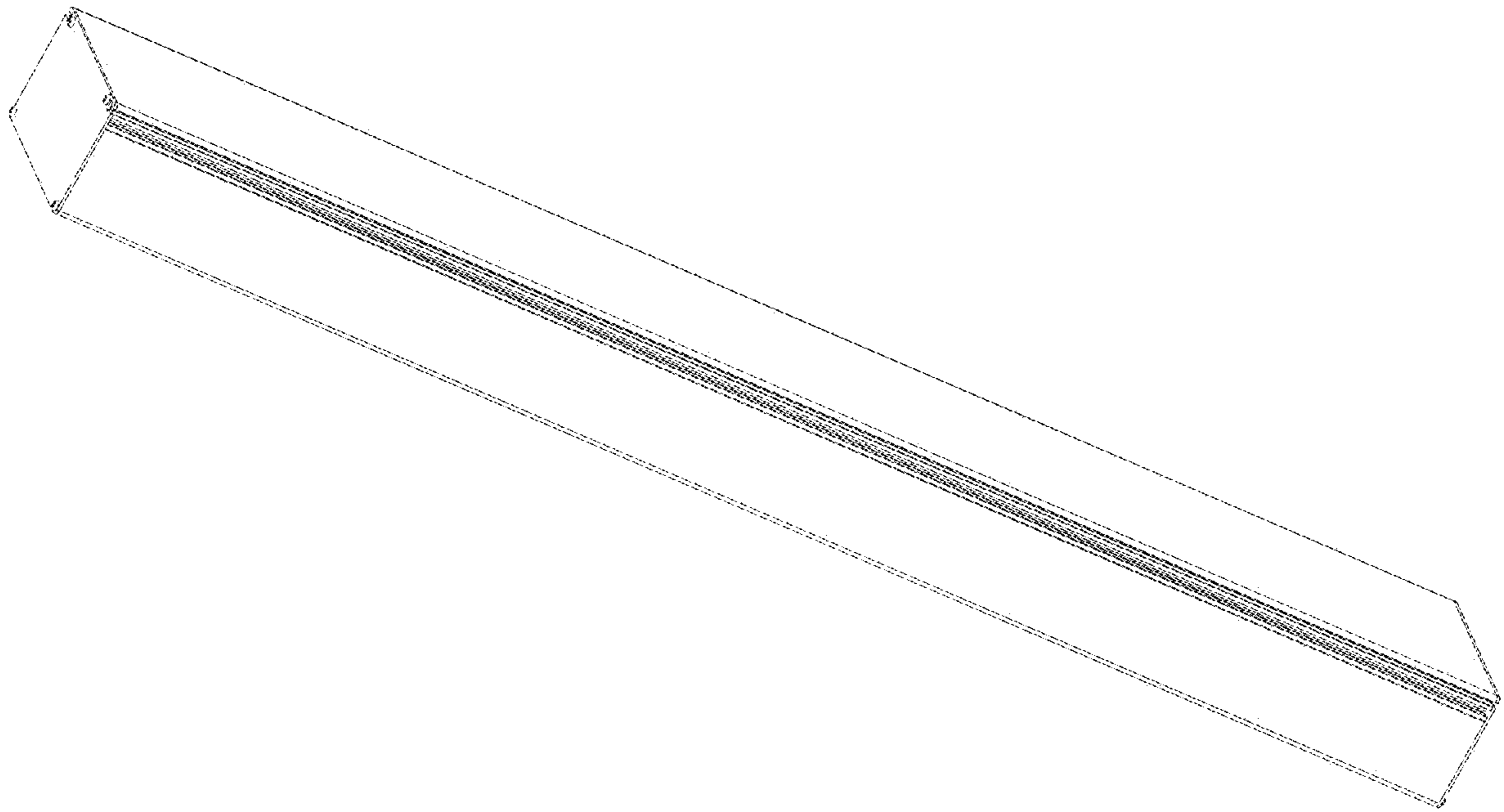


FIG. 10

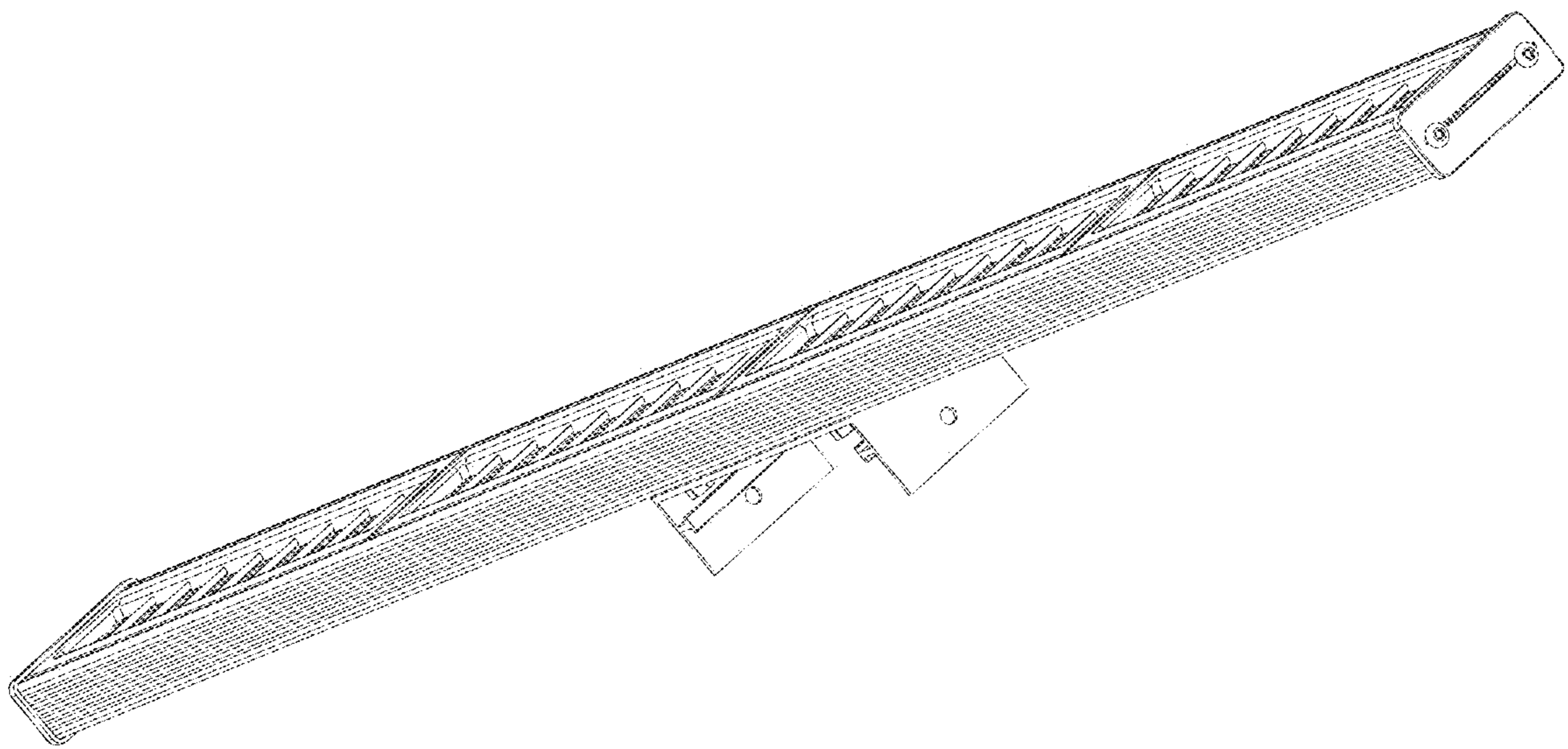


FIG. 11

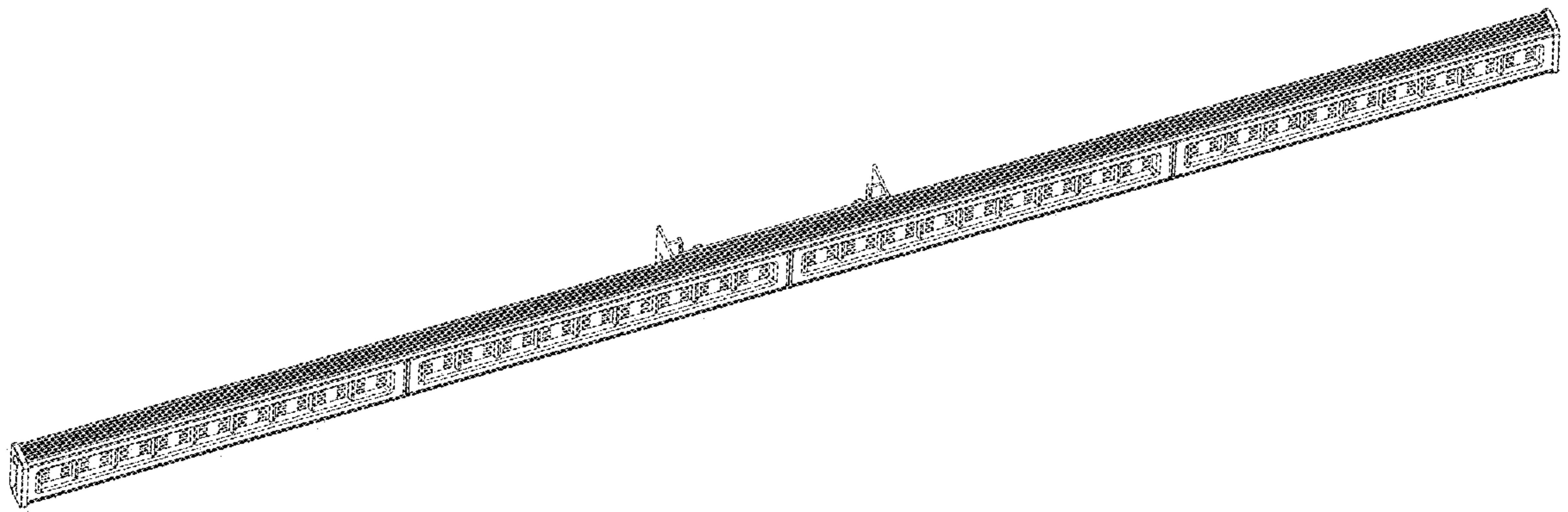


FIG. 12

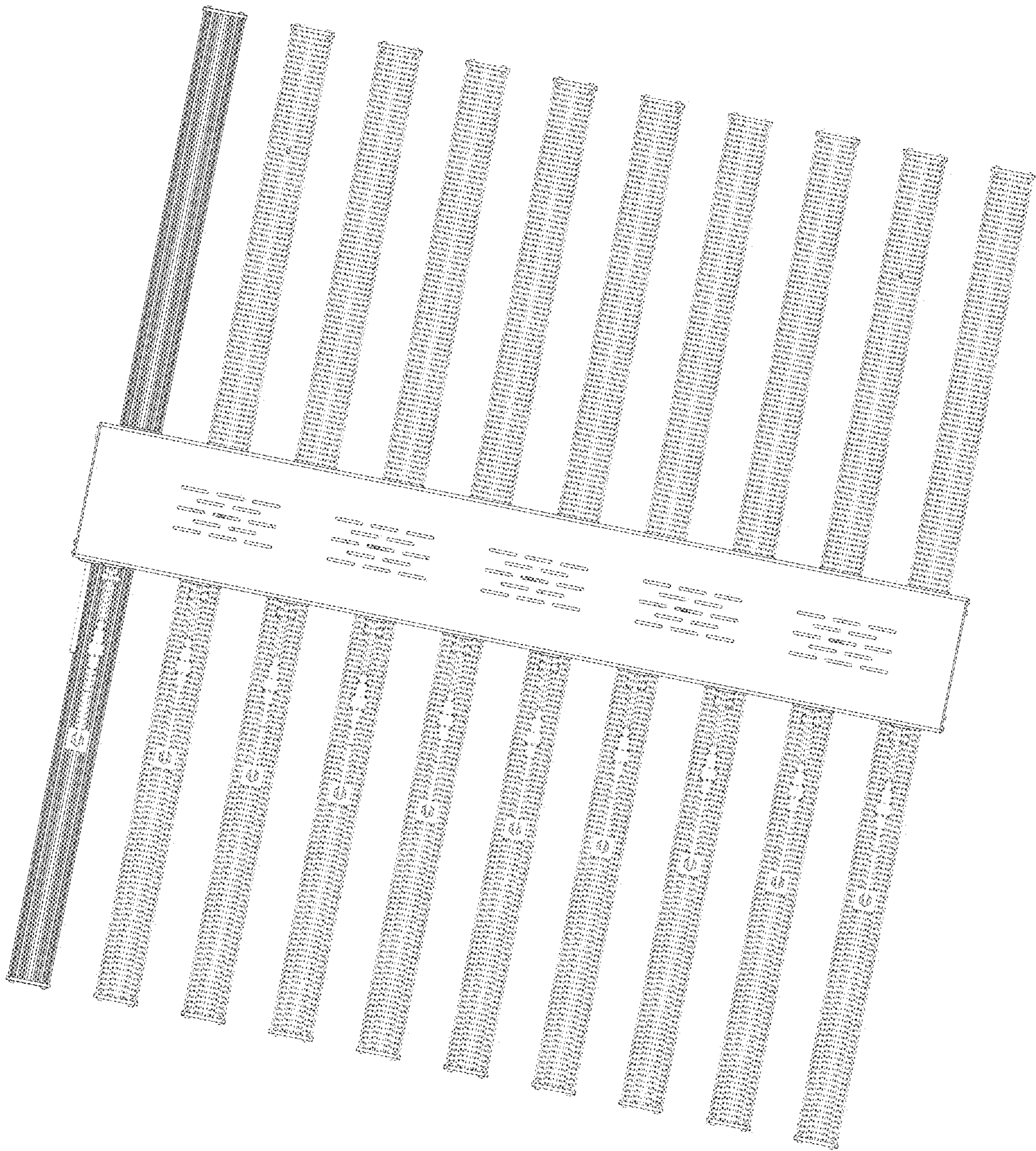


FIG. 13

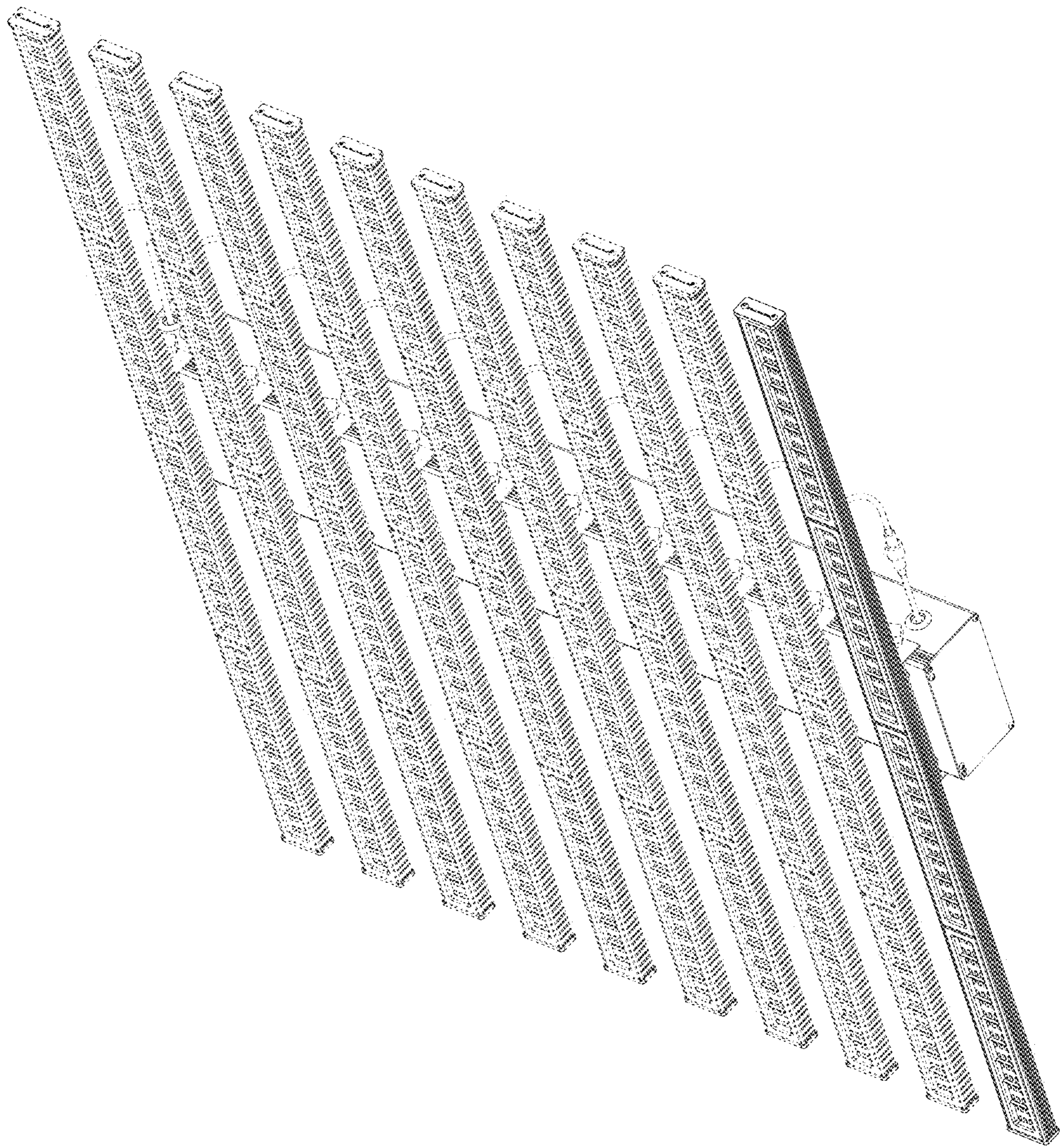


FIG. 14

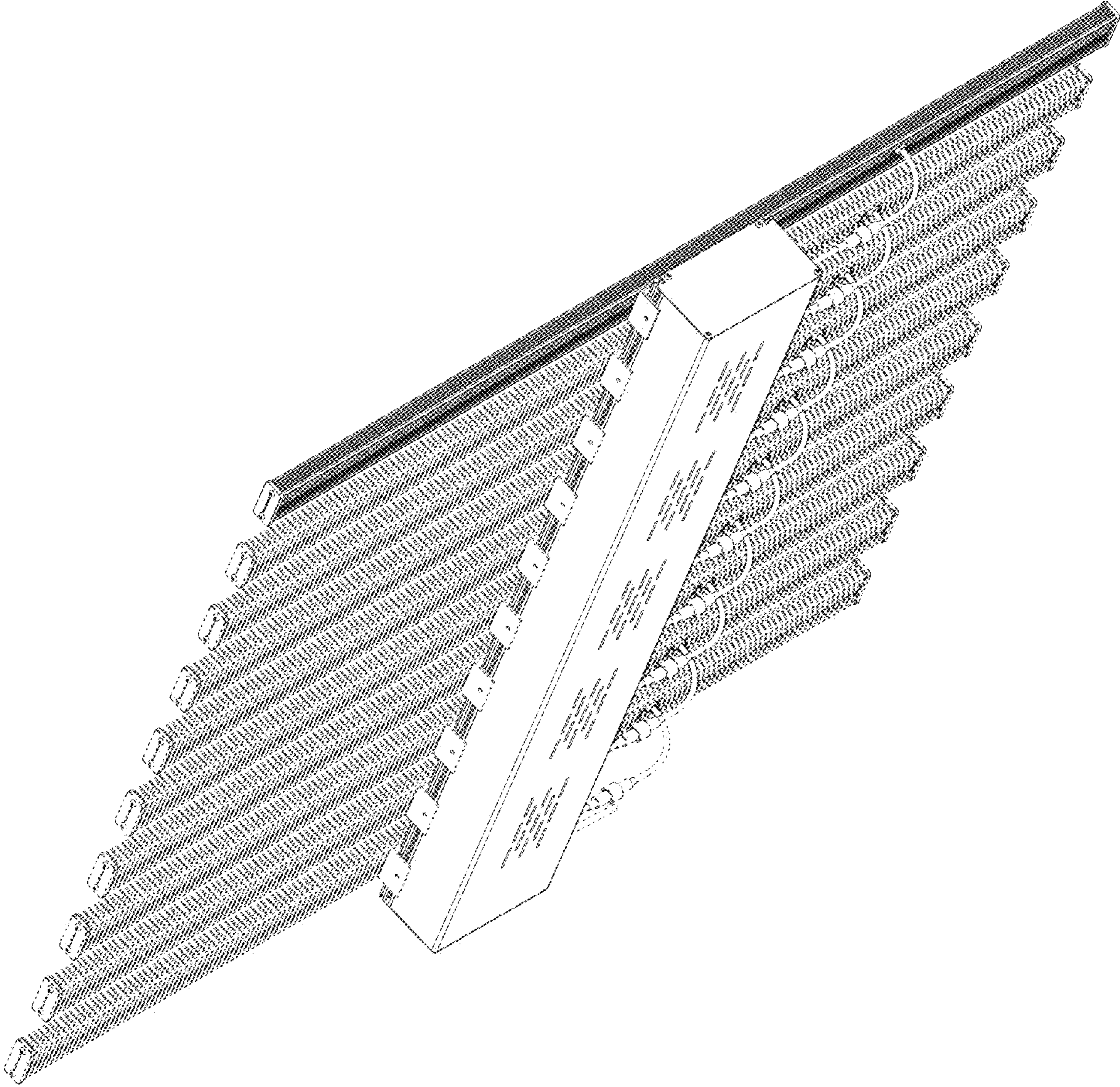


FIG. 15