



US00D960423S

(12) **United States Design Patent** (10) **Patent No.:** **US D960,423 S**  
**Ambrozus** (45) **Date of Patent:** **\*\* Aug. 9, 2022**

(54) **LUMINAIRE**

(71) Applicant: **ZUMTOBEL LIGHTING GMBH**,  
Dornbirn (AT)

(72) Inventor: **Stefan Ambrozus**, Cologne (DE)

(73) Assignee: **ZUMTOBEL LIGHTING GMBH**,  
Dornbirn (AT)

(\*\*) Term: **15 Years**

(21) Appl. No.: **29/768,260**

(22) Filed: **Jan. 28, 2021**

**Related U.S. Application Data**

(62) Division of application No. 35/508,224, filed on Oct. 30, 2019 (U.S. filing date under 35 U.S.C. 384), and having an international filing date of Oct. 30, 2019, now Pat. No. Des. 945,678.

(30) **Foreign Application Priority Data**

May 6, 2019 (EM) ..... 006427209

(51) **LOC (13) Cl.** ..... **26-05**

(52) **U.S. Cl.**  
USPC ..... **D26/74; D26/118**

(58) **Field of Classification Search**

USPC ..... D26/24, 25, 28, 60, 61, 72, 74, 75, 76,  
D26/78, 80, 82, 88, 85, 87, 89, 90,  
D26/106-109, 113, 118, 128  
CPC ..... F21S 8/00; F21S 8/02; F21S 8/026; F21S  
8/033; F21S 8/038; F21S 8/04; F21S  
8/06; F21S 8/061; F21S 8/062; F21S  
8/063; F21S 8/066; F21S 4/00; F21S  
4/10; F21S 4/15; F21S 4/20; F21S 4/24;  
F21S 4/26

See application file for complete search history.

(56) **References Cited**

U.S. PATENT DOCUMENTS

3,253,176	A *	5/1966	Pate	.....	H01J 61/42 313/493
5,276,378	A *	1/1994	Gothard	.....	H01J 61/103 313/493
D348,533	S *	7/1994	Herst	.....	D26/85
D572,387	S *	7/2008	Uemoto	.....	D26/1
D641,915	S *	7/2011	Waldmann	.....	D26/90
D677,821	S *	3/2013	Jeon	.....	D26/74
D705,471	S *	5/2014	Kim	.....	D26/89
D710,532	S *	8/2014	Fletcher	.....	D26/118
D710,534	S *	8/2014	Fletcher	.....	D26/118
D862,765	S *	10/2019	Leahy	.....	D26/74
D910,222	S *	2/2021	Zhang	.....	D26/72
D917,762	S *	4/2021	Zhou	.....	D26/76
D945,678	S *	3/2022	Ambrozus	.....	D26/118
2011/0205738	A1 *	8/2011	Peifer	.....	F21V 19/04 362/249.02
2013/0010467	A1 *	1/2013	Kim	.....	F21S 8/04 362/294
2013/0258660	A1 *	10/2013	Kim	.....	F21V 21/00 362/235

\* cited by examiner

*Primary Examiner* — Richard Kearney

(74) *Attorney, Agent, or Firm* — Scully, Scott, Murphy & Presser, P.C.

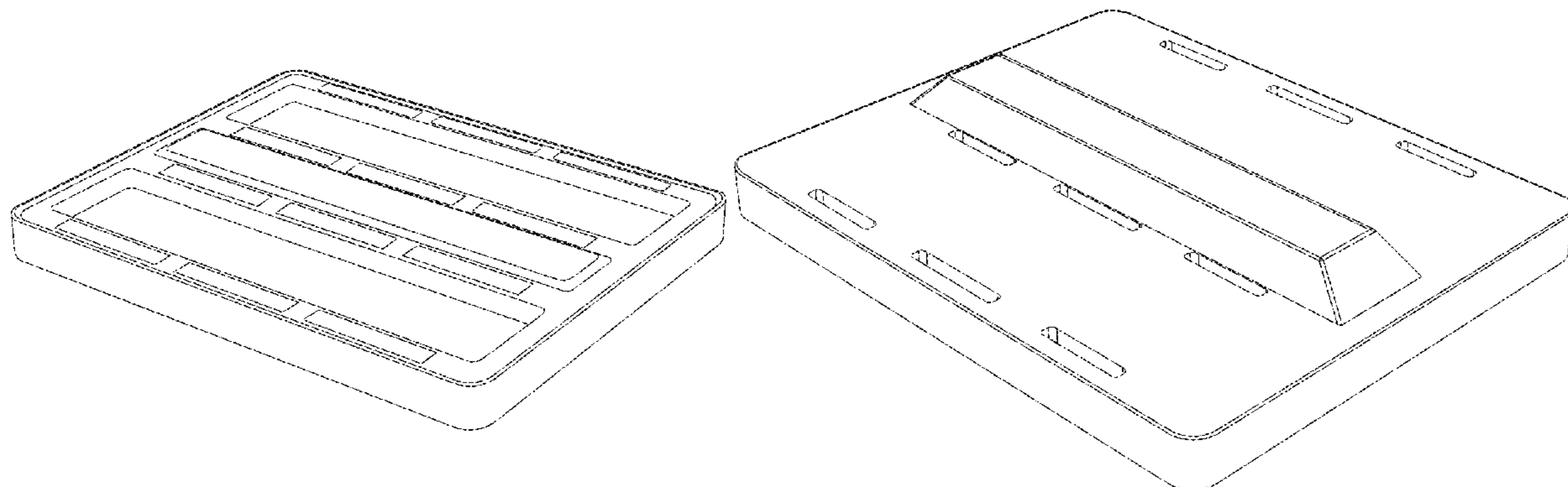
(57) **CLAIM**

I claim, the ornamental design for a luminaire, as shown and described.

**DESCRIPTION**

FIG. 1 illustrates a top perspective view of a luminaire, showing new and ornamental design; FIG. 2 illustrates a side elevation view thereof; FIG. 3 illustrates a front elevation view thereof; FIG. 4 illustrates a top plan view thereof; FIG. 5 illustrates a bottom plan view thereof; and, FIG. 6 illustrates a bottom perspective view thereof. The opposite side elevation view is a mirror image of the shown side elevation view, and the rear elevation view is a mirror image of the front elevation view.

**1 Claim, 6 Drawing Sheets**



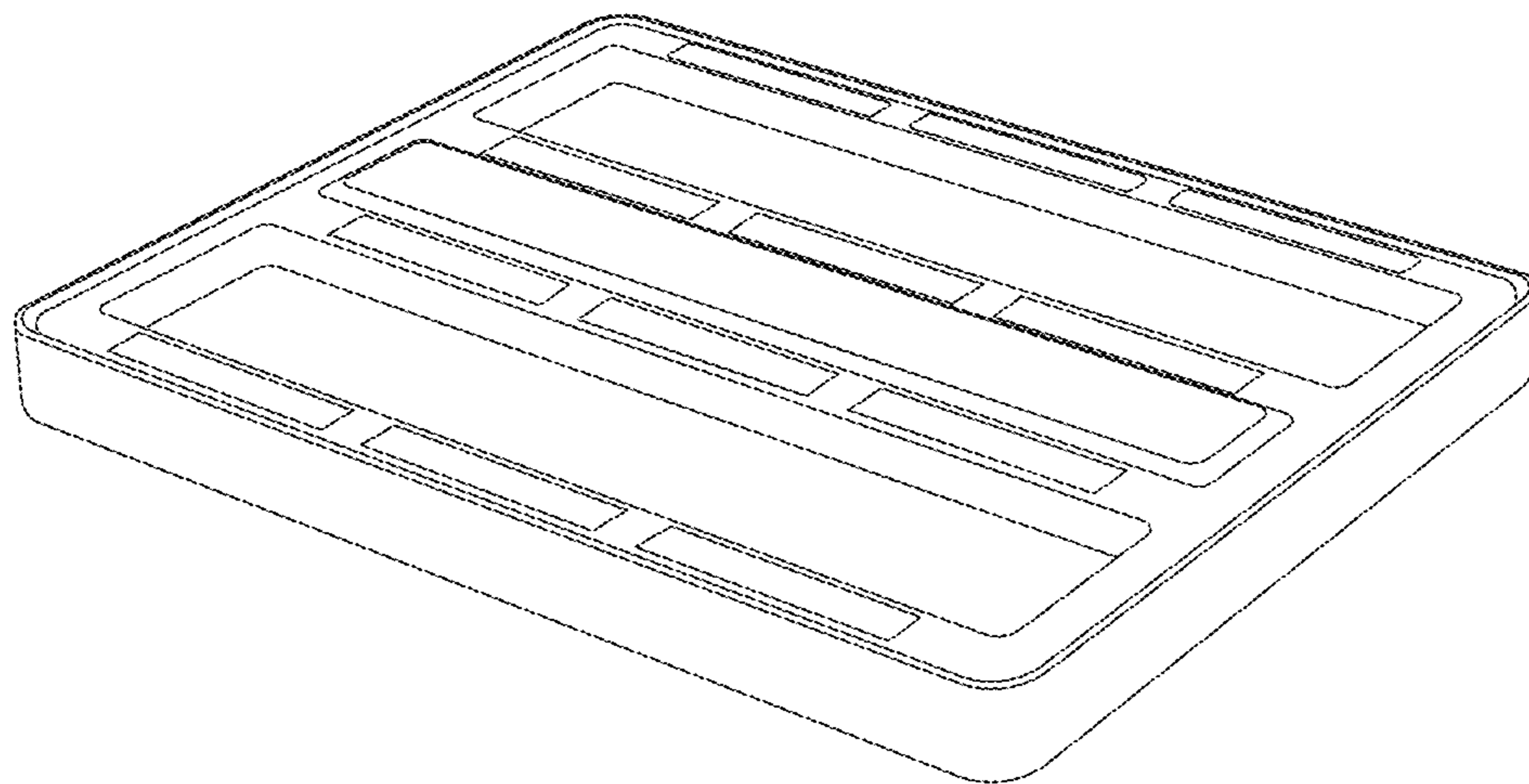


FIG. 1

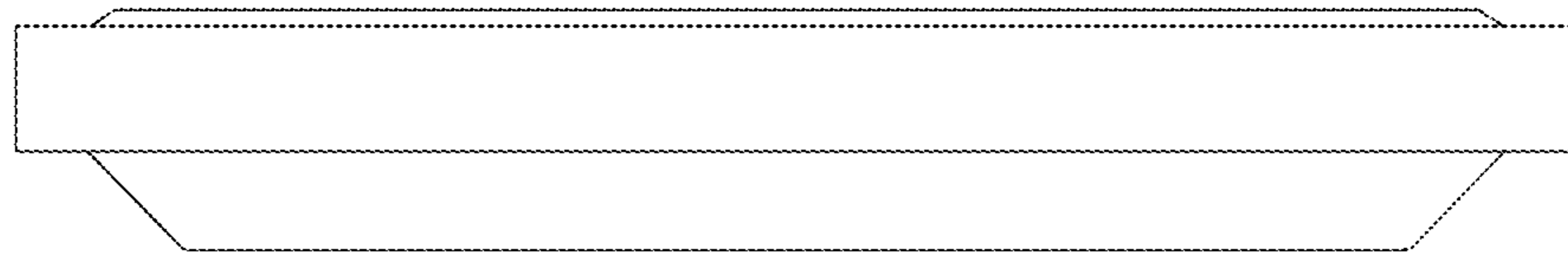


FIG. 2

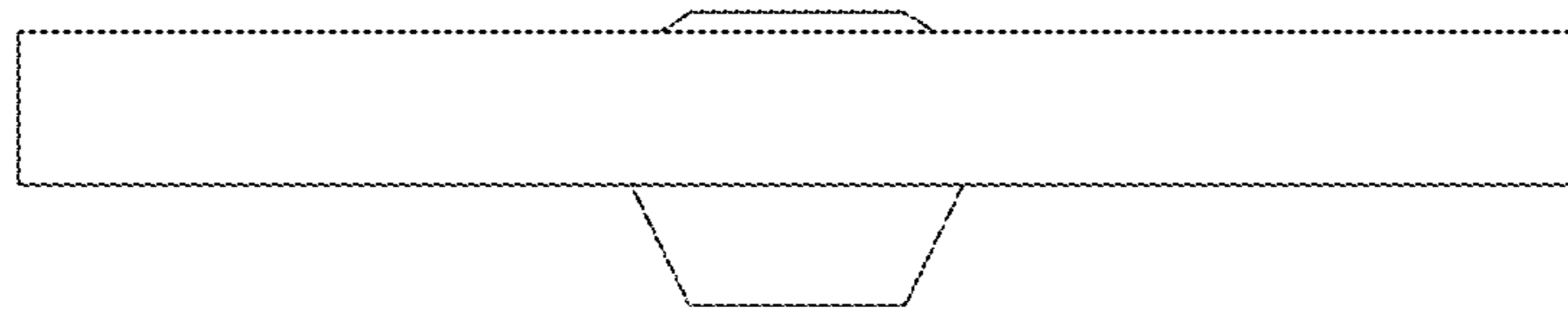


FIG. 3

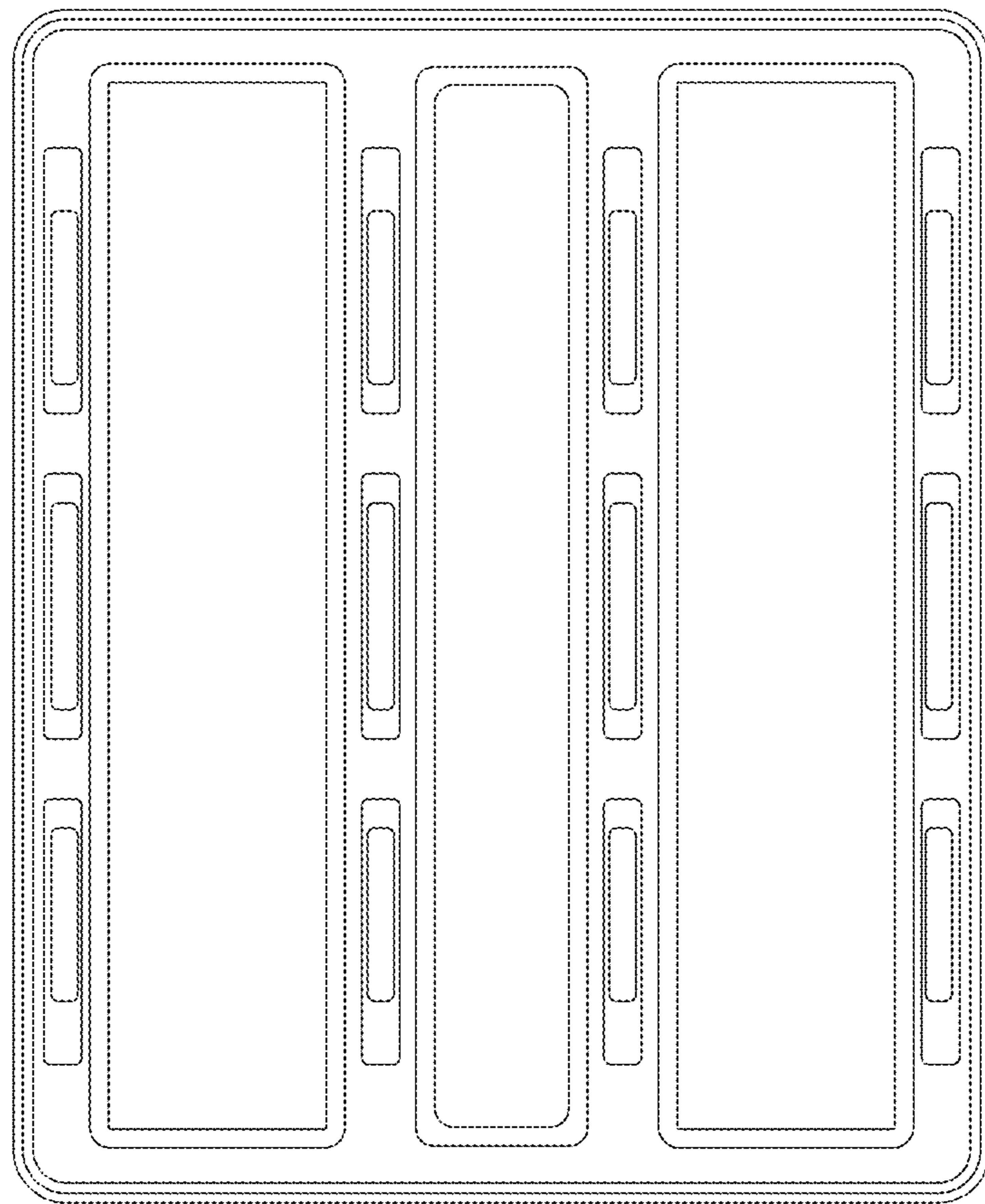


FIG. 4

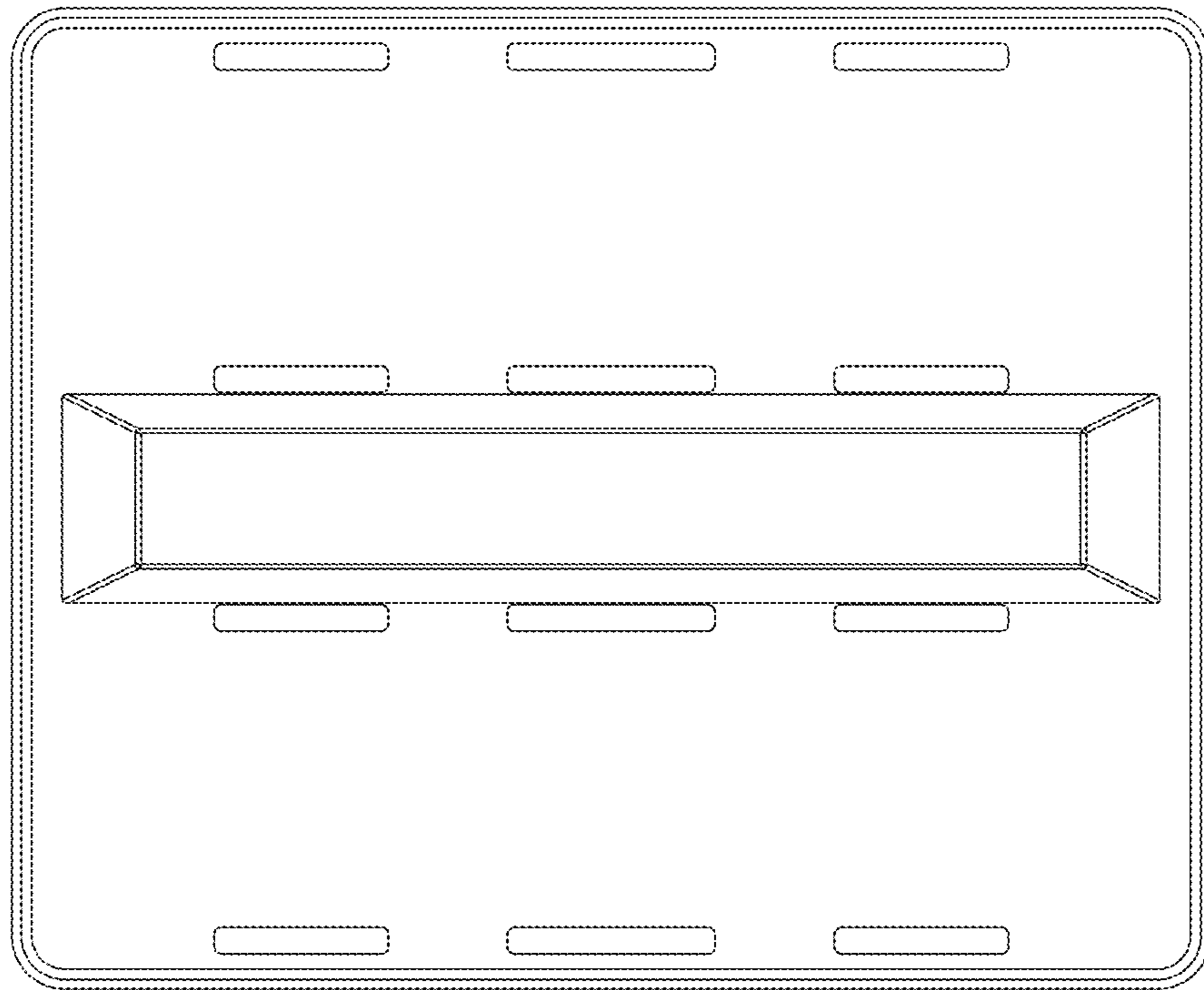


FIG. 5

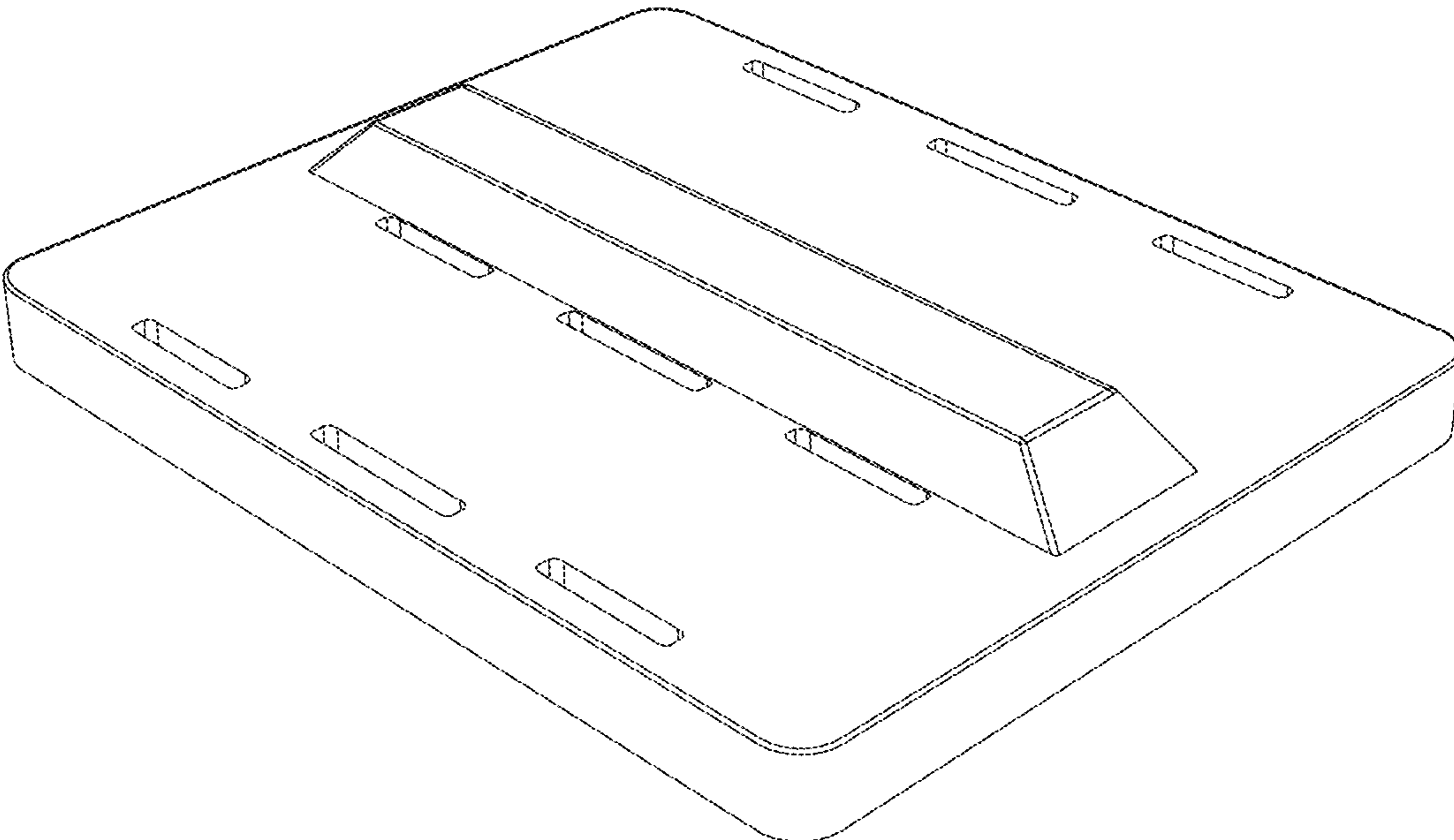


FIG. 6