

US00D960419S

(12) **United States Design Patent** (10) **Patent No.:** **US D960,419 S**
Mai (45) **Date of Patent:** **** Aug. 9, 2022**

(54) **SOLAR LIGHT**

(71) Applicant: **Quanhua Mai**, Zhongshan (CN)

(72) Inventor: **Quanhua Mai**, Zhongshan (CN)

(**) Term: **15 Years**

(21) Appl. No.: **29/712,458**

(22) Filed: **Nov. 8, 2019**

(51) **LOC (13) Cl.** **26-05**

(52) **U.S. Cl.**
USPC **D26/67; D26/41**

(58) **Field of Classification Search**
USPC D26/40, 41, 67, 68, 85, 92
CPC F21S 8/03; F21S 8/033; F21S 8/036; F21S
8/081; F21S 9/037; F21W 2111/02;
F21W 2111/023; F21W 2132/109
See application file for complete search history.

(56) **References Cited**

U.S. PATENT DOCUMENTS

D639,992 S *	6/2011	Chen	D26/68
D699,339 S *	2/2014	Wang	D23/385
D827,891 S *	9/2018	Kawabata	D26/40
D886,344 S *	6/2020	Ho	D26/41
D906,564 S *	12/2020	Wu	D26/67
D921,249 S *	6/2021	Peng	D26/41
D923,229 S *	6/2021	Liao	D26/67
D935,661 S *	11/2021	Hu	D26/41
D945,041 S *	3/2022	Zhang	D26/40

D946,193 S *	3/2022	Zhang	D26/67
D953,593 S *	5/2022	Chen	D26/41
2012/0069581 A1 *	3/2012	Chen	F21V 3/04 156/299

OTHER PUBLICATIONS

Yavunz Cracked Glass Jar Garden Light, ASIN: B08CDWTNZW. Date first available from amazon.com: Jul. 6, 2020. (Year: 2020).*
Bojim Solar Garden Lights, ASIN: B091L7BXWV. Date first available from amazon.com: Jul. 1, 2021. (Year: 2021).*
Uonlytech Solar Powered Crack Glass Ball Lights with Jute Handle, ASIN: B083DCB317. Date first available from amazon.com: Dec. 31, 2019. (Year: 2019).*

* cited by examiner

Primary Examiner — Clare E Heflin
(74) *Attorney, Agent, or Firm* — ScienBiziP, P.C.

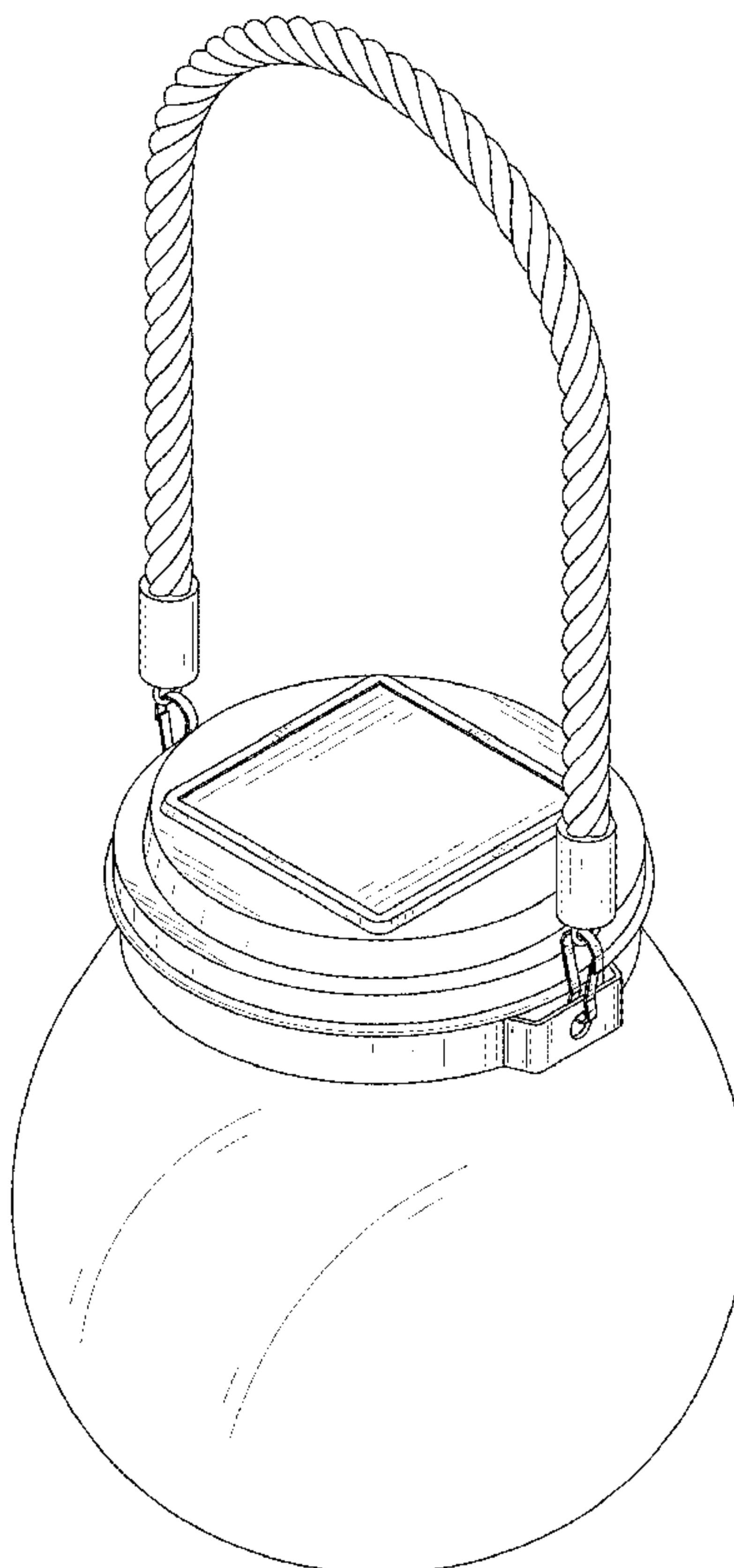
(57) **CLAIM**

The ornamental design for a solar light, as shown and described.

DESCRIPTION

FIG. 1 is a top, front perspective view of a solar light, showing my design.
FIG. 2 is a front elevation view thereof.
FIG. 3 is a rear elevation view thereof.
FIG. 4 is a left side elevation view thereof.
FIG. 5 is a right side elevation view thereof.
FIG. 6 is a top plan view thereof; and,
FIG. 7 is a bottom plan view thereof.

1 Claim, 7 Drawing Sheets



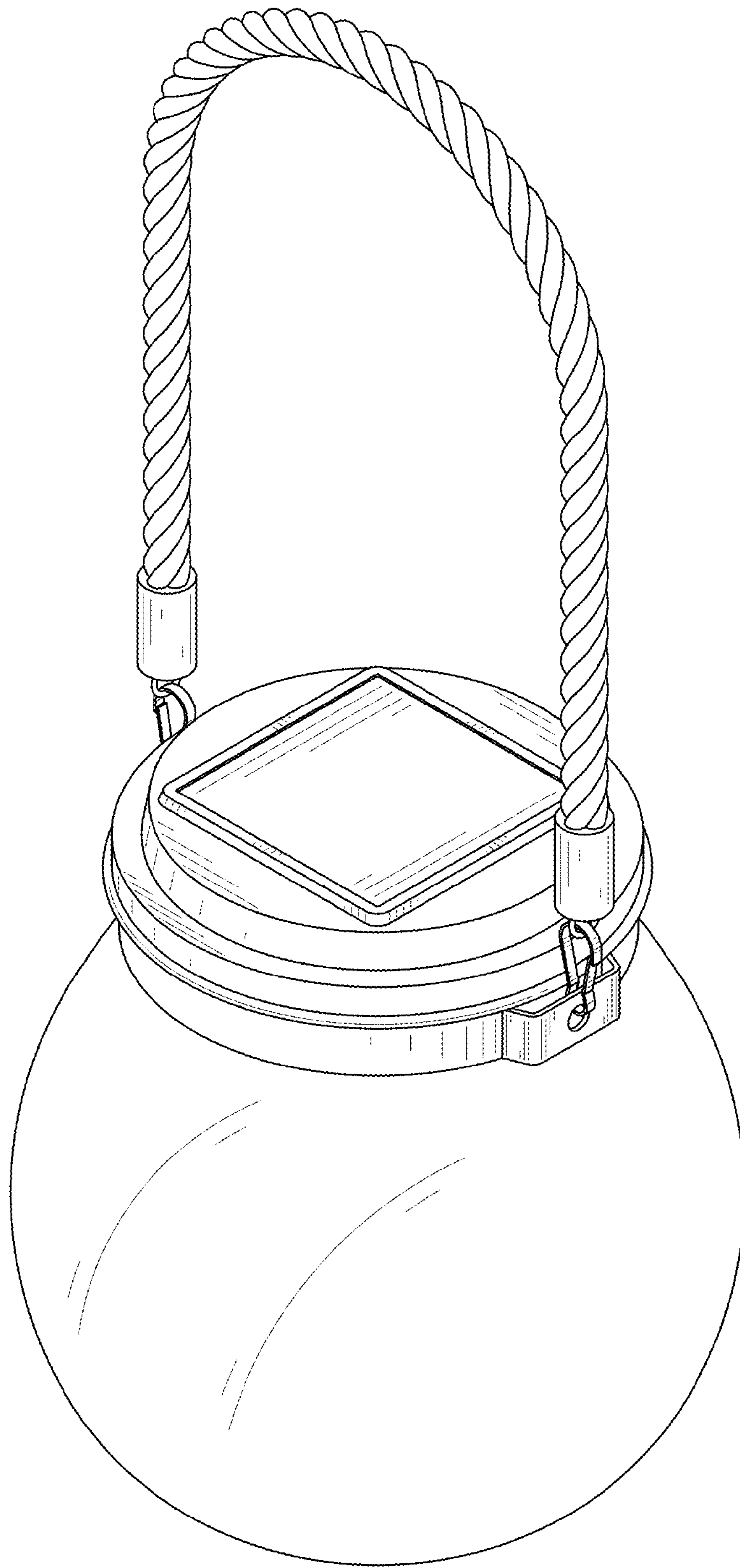


FIG. 1

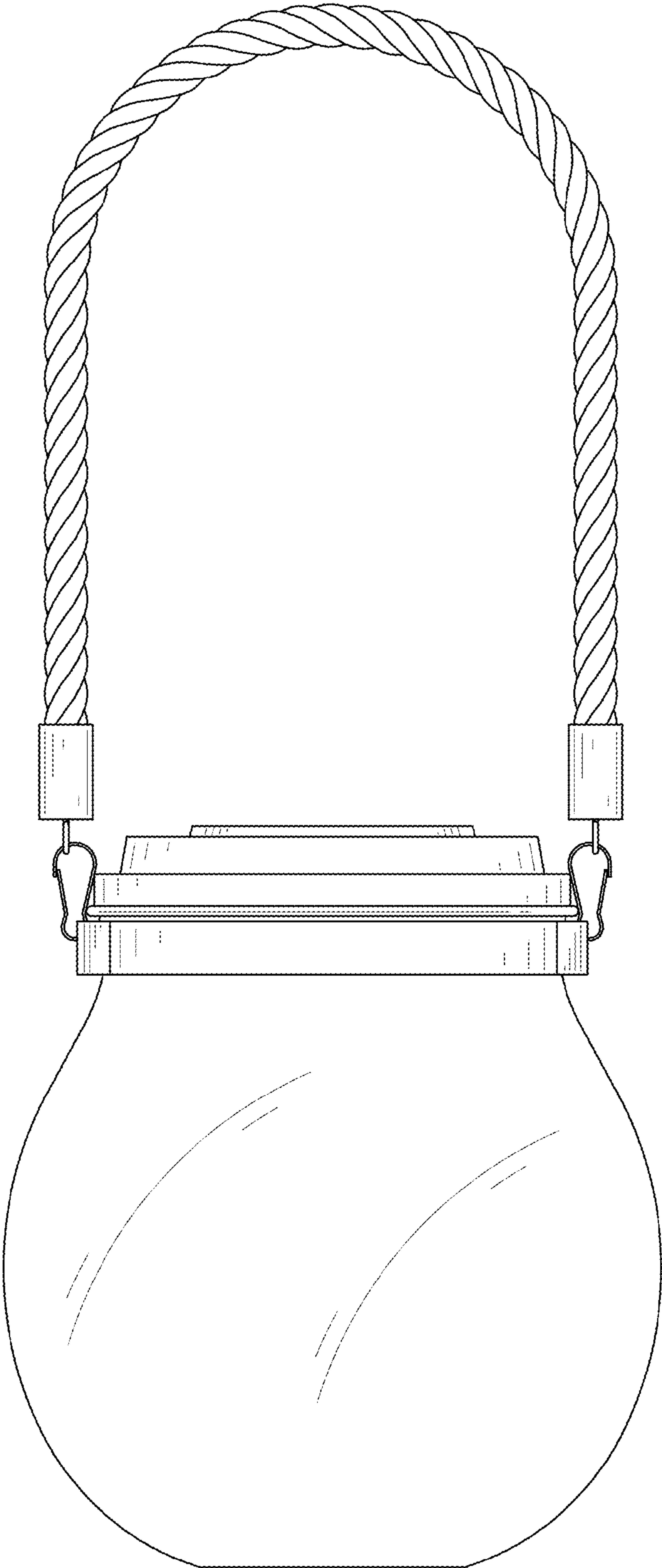


FIG. 2

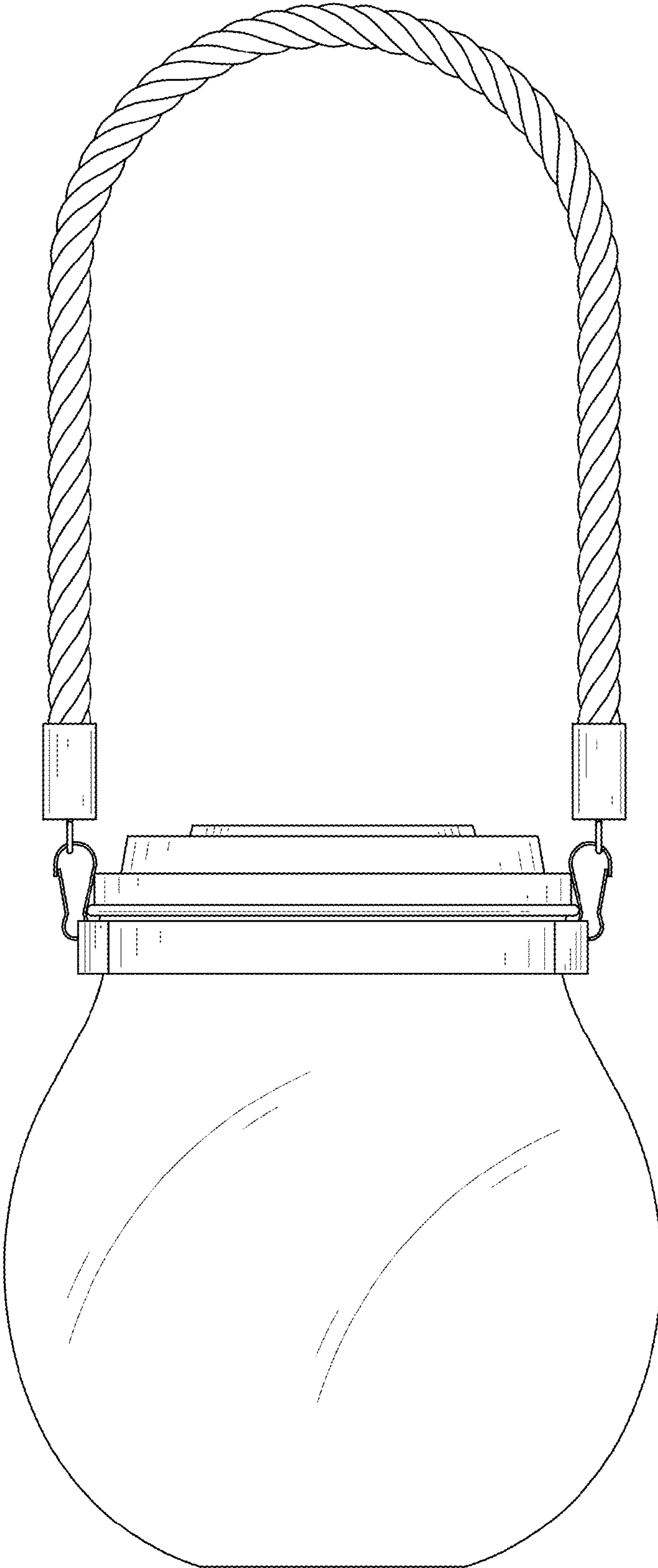


FIG. 3

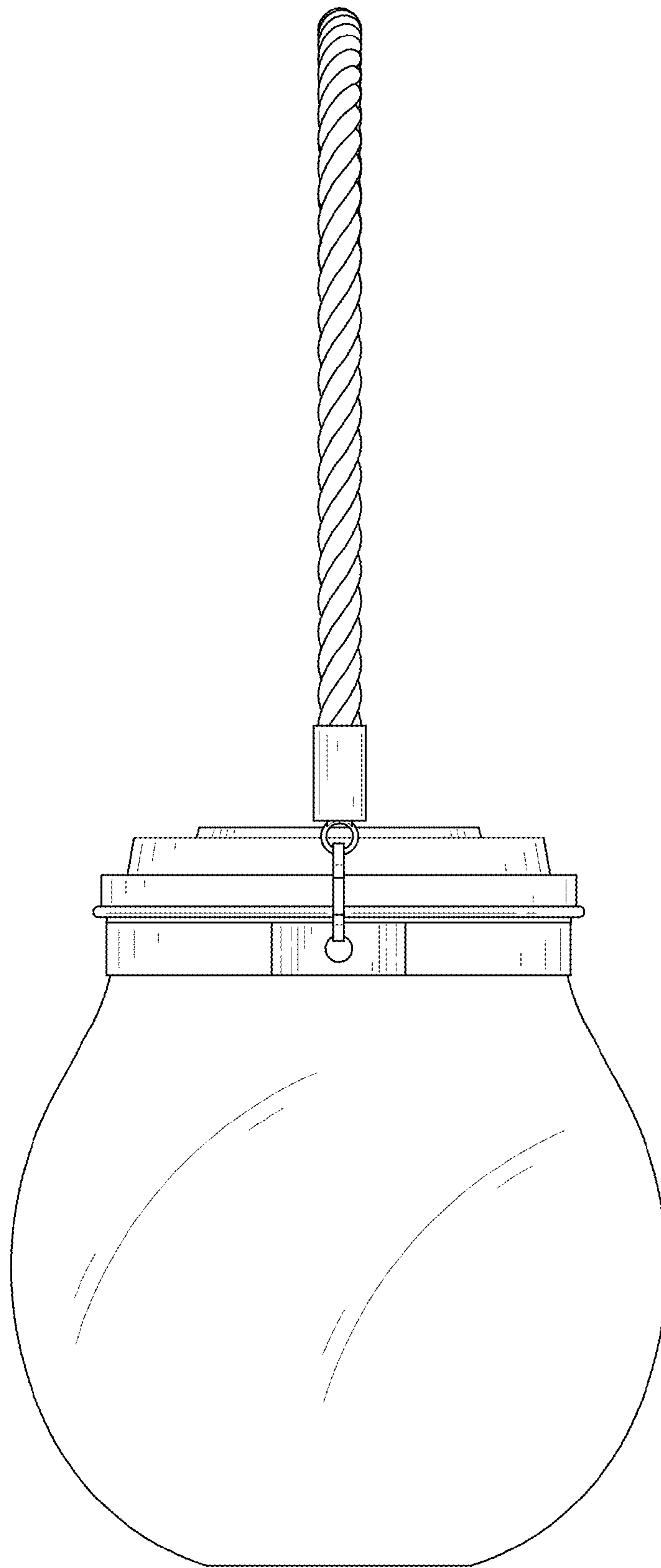


FIG. 4

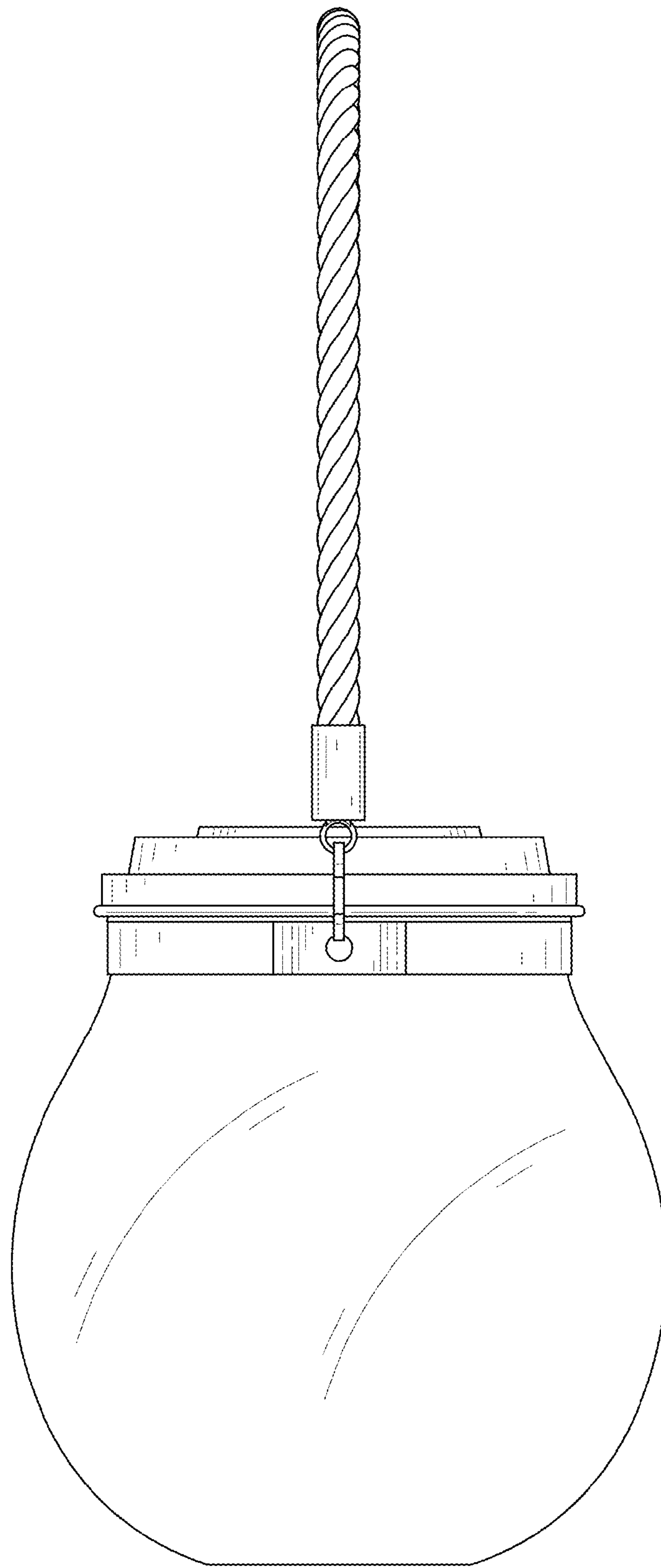


FIG. 5

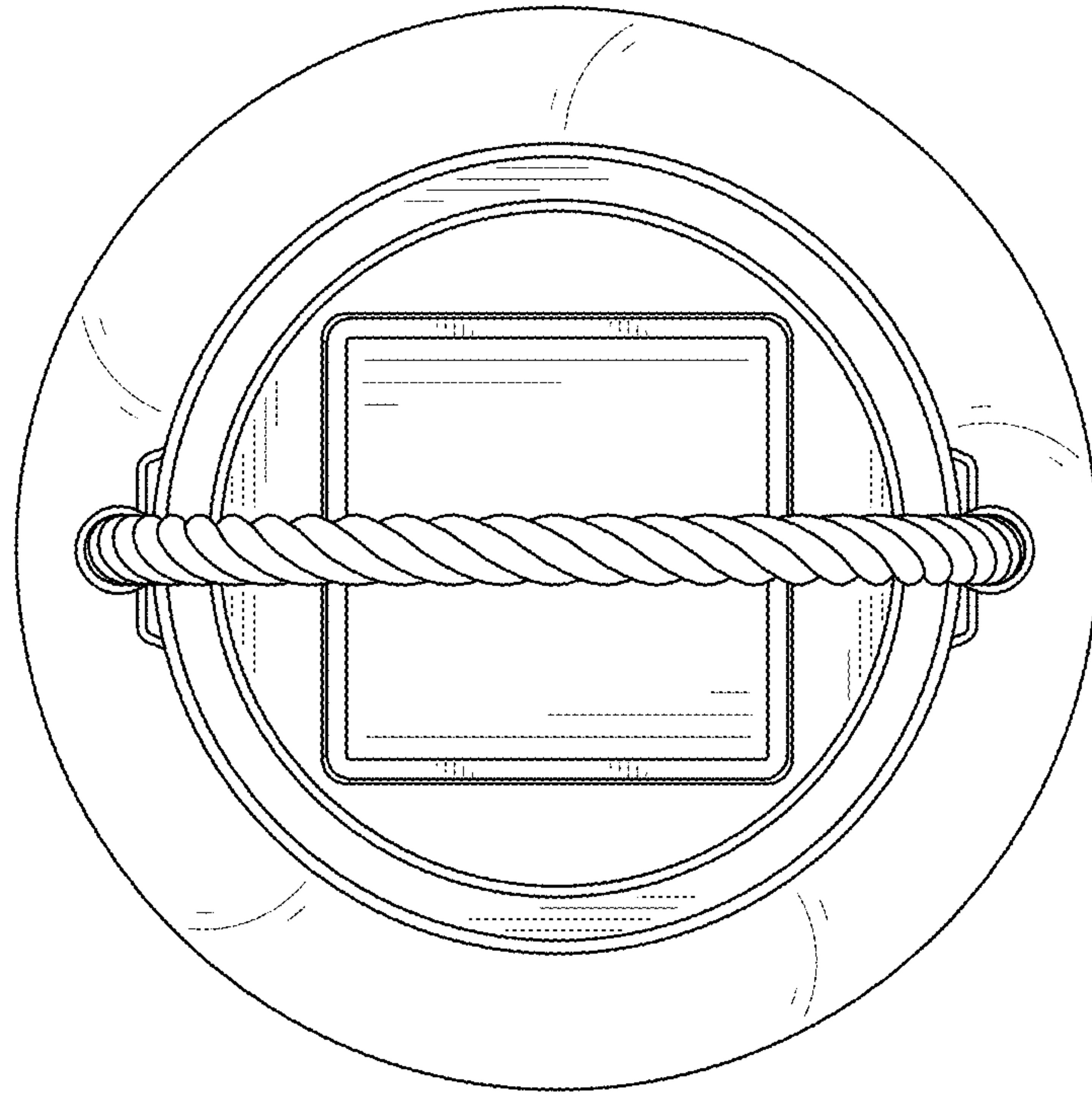


FIG. 6

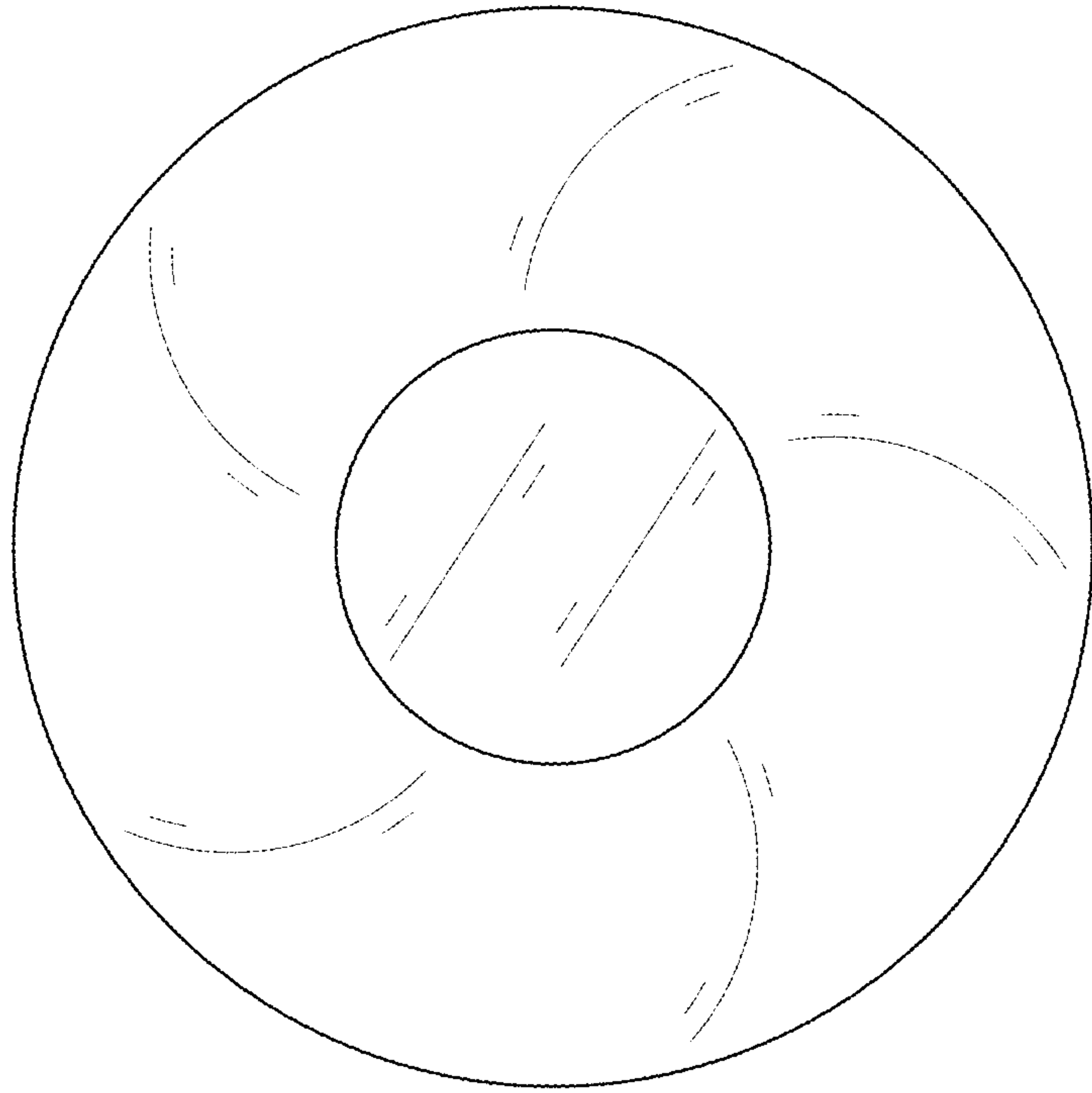


FIG. 7