



US00D960417S

(12) **United States Design Patent**  
**Liu**

(10) **Patent No.:** **US D960,417 S**

(45) **Date of Patent:** **\*\* Aug. 9, 2022**

(54) **LED PHOTO SUPPLEMENT LAMP**

(71) Applicant: **Zhangxi Liu, Jiujiang (CN)**

(72) Inventor: **Zhangxi Liu, Jiujiang (CN)**

(\*\*) Term: **15 Years**

(21) Appl. No.: **29/798,625**

(22) Filed: **Jul. 9, 2021**

(51) **LOC (13) Cl.** ..... **16-05**

(52) **U.S. Cl.**  
USPC ..... **D26/63; D16/239; D16/237**

(58) **Field of Classification Search**  
USPC ..... D26/44, 63, 72; D16/208–209, 219,  
D16/237–250  
CPC ..... G02B 7/00–002; G03B 17/56; G03B  
17/561–566

See application file for complete search history.

(56) **References Cited**

**U.S. PATENT DOCUMENTS**

D247,782 S *	4/1978	Blumberg	.....	D16/136
D257,890 S *	1/1981	Aron	.....	D26/63
D426,335 S *	6/2000	Kulterer	.....	D26/63
D428,661 S *	7/2000	Norman	.....	D26/63
D548,261 S *	8/2007	Nakamura	.....	D16/134
D584,837 S *	1/2009	Mazzochette	.....	D26/2
D598,039 S *	8/2009	Owada	.....	D16/134

D598,582 S *	8/2009	Pei	.....	D26/2
D698,844 S *	2/2014	Hasuda	.....	D16/219
D729,965 S *	5/2015	Recker	.....	D26/63
D855,680 S *	8/2019	Ruff	.....	D16/219
D881,260 S *	4/2020	Ikegame	.....	D16/219
D892,199 S	8/2020	Peng		
D895,186 S *	9/2020	Merovitz	.....	D26/63
D898,256 S	10/2020	Peng		

\* cited by examiner

*Primary Examiner* — Nathan M Johnston

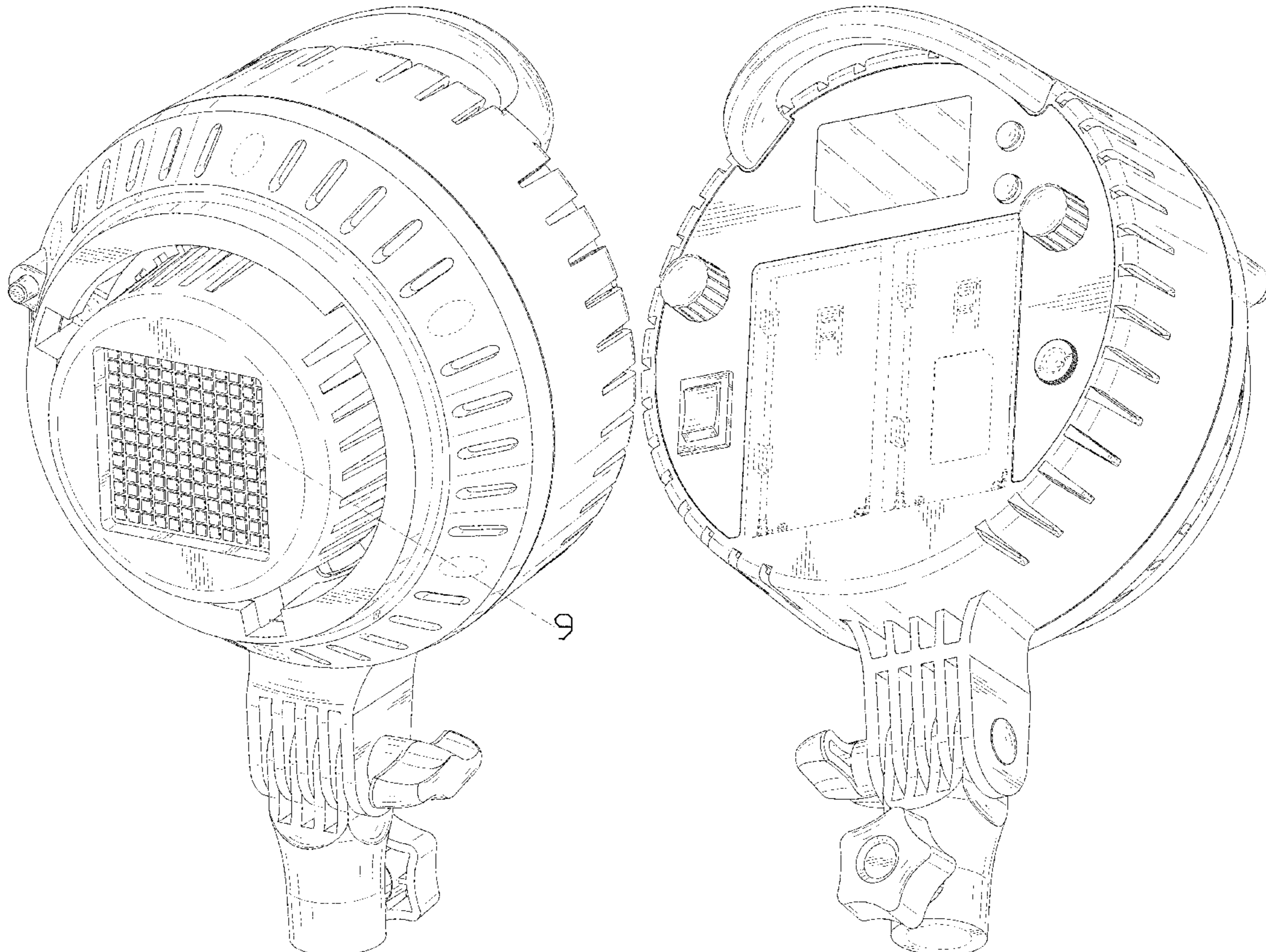
(57) **CLAIM**

The ornamental design for an LED photo supplement lamp, as shown and described.

**DESCRIPTION**

FIG. 1 is a perspective view of an LED photo supplement lamp showing my new design;  
 FIG. 2 is another perspective view thereof;  
 FIG. 3 is a front elevational view thereof;  
 FIG. 4 is a rear elevational view thereof;  
 FIG. 5 is a left side elevational view thereof;  
 FIG. 6 is a right side elevational view thereof;  
 FIG. 7 is a top plan view thereof;  
 FIG. 8 is a bottom plan view thereof; and,  
 FIG. 9 is an enlarged view of portion 9 shown in FIG. 1.  
 The broken lines in the drawings depict portions of the LED photo supplement lamp that form no part of the claimed design.

**1 Claim, 9 Drawing Sheets**



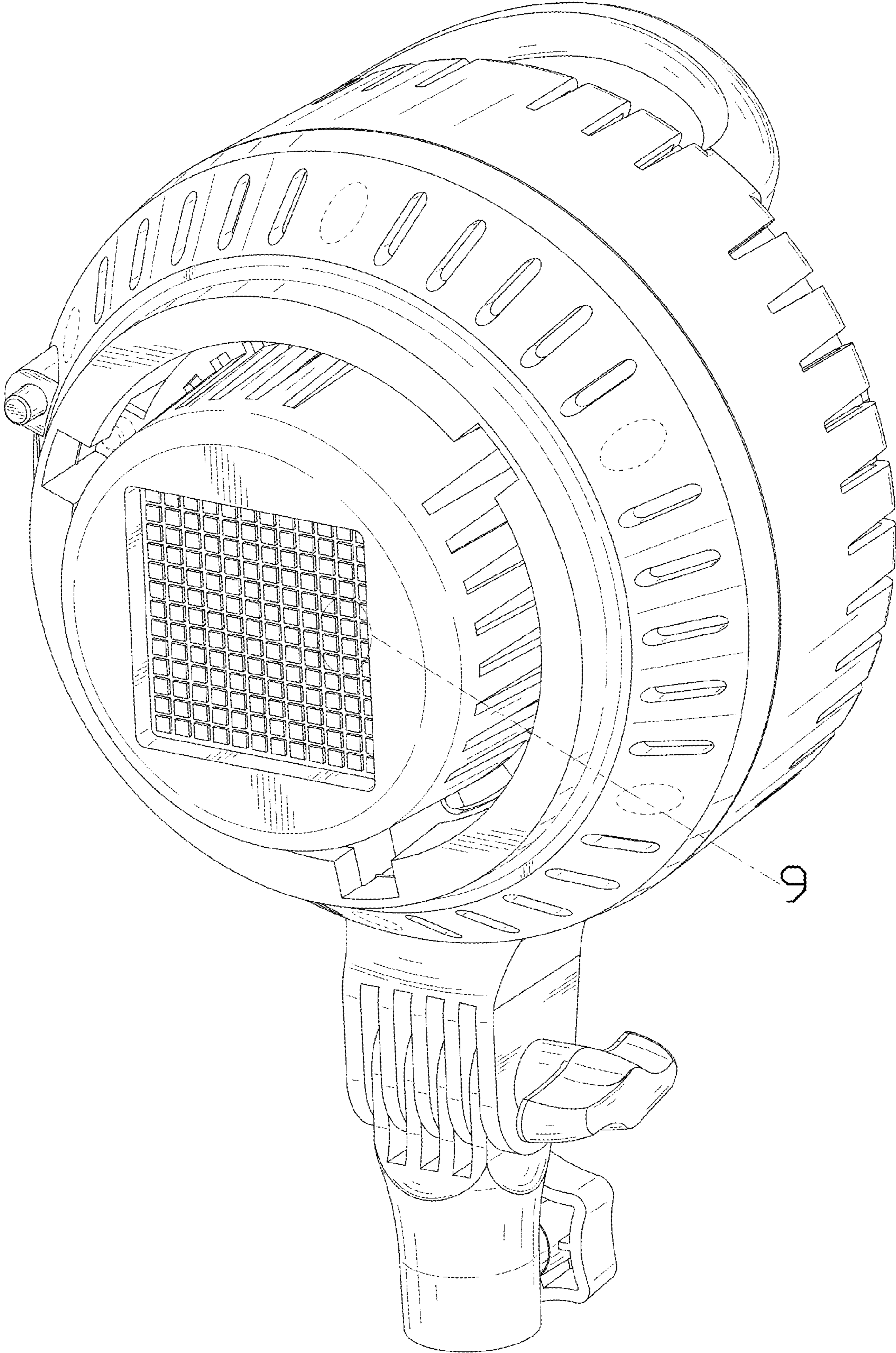


FIG. 1

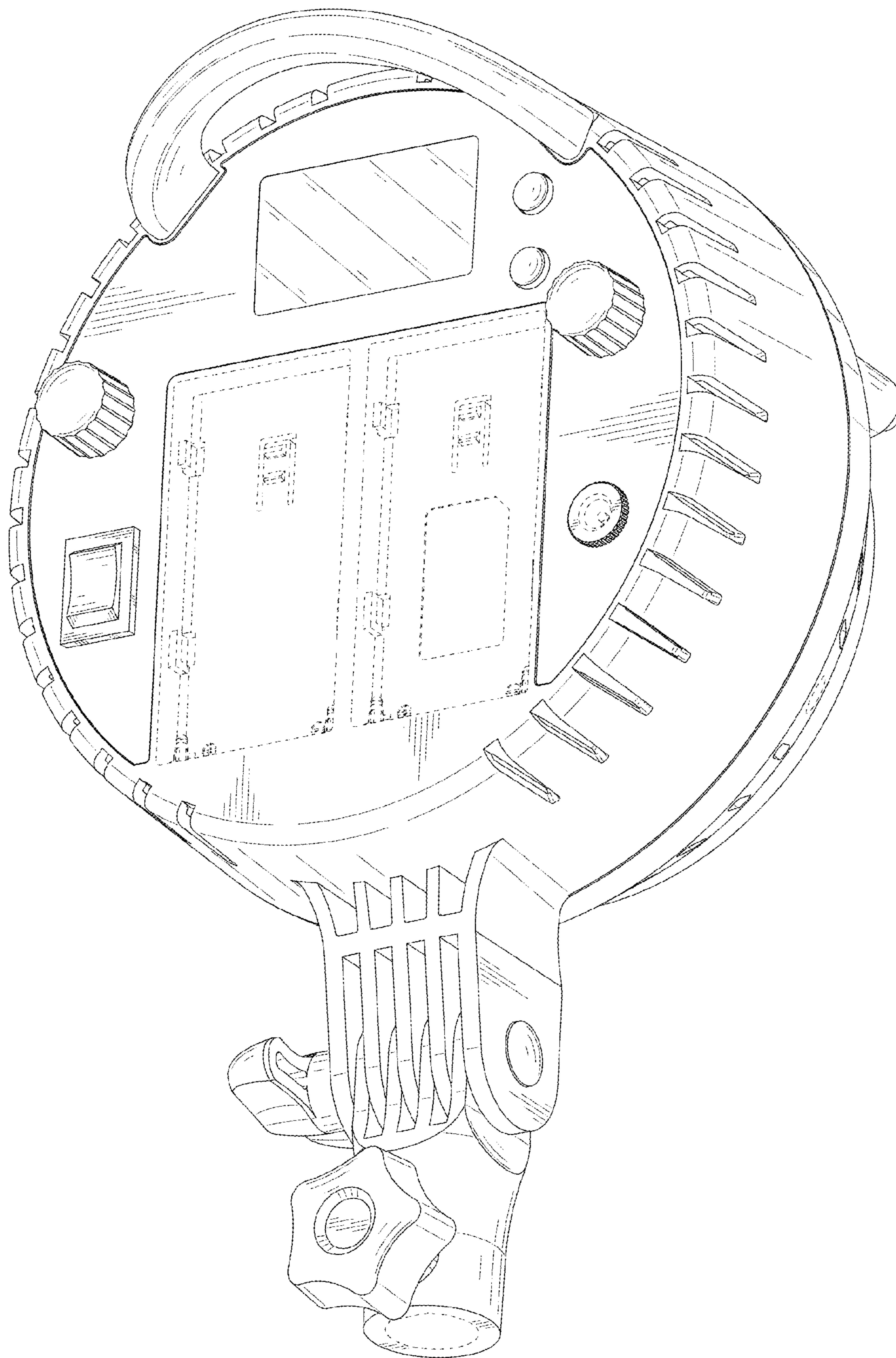


FIG. 2

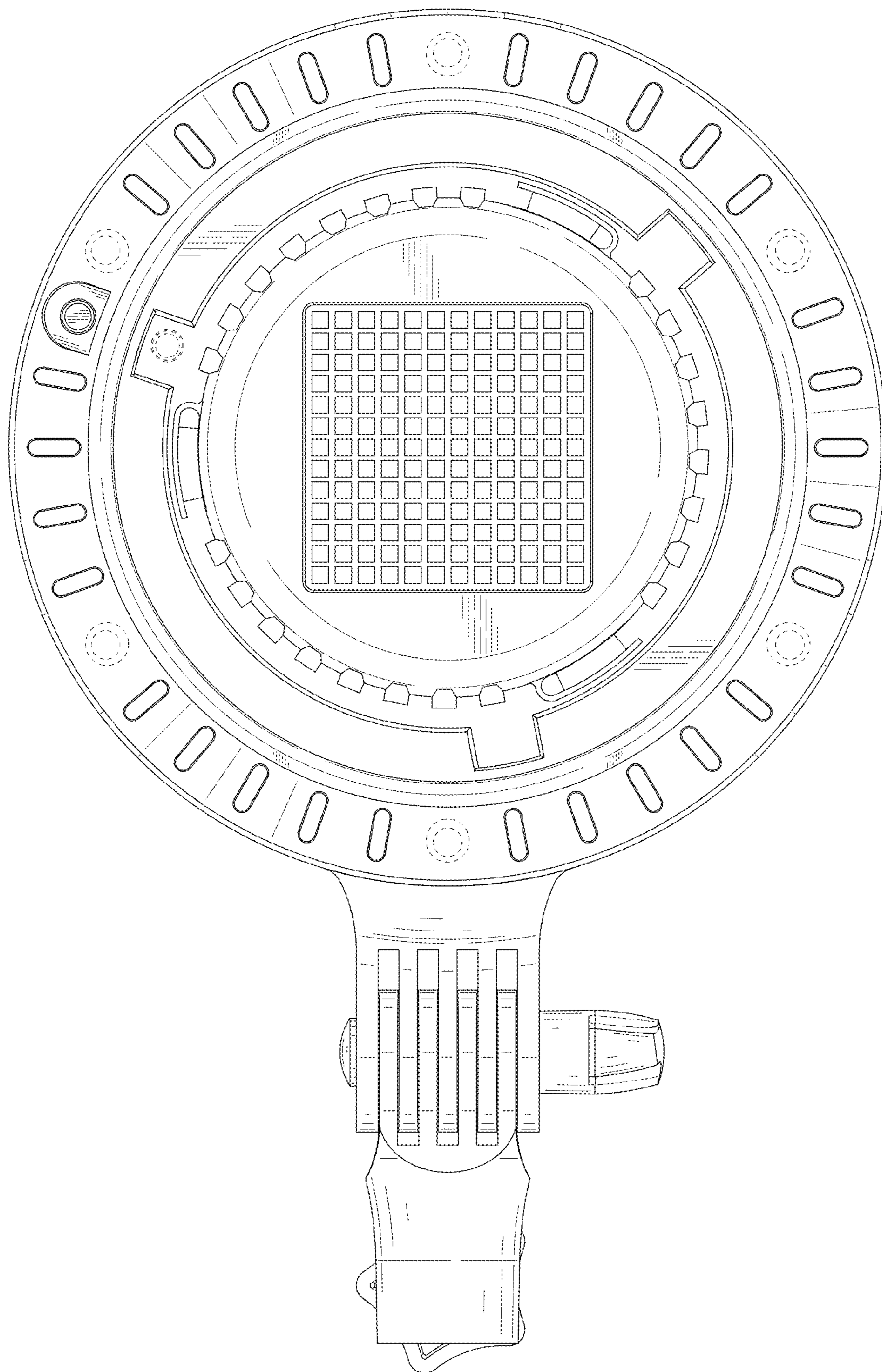


FIG. 3

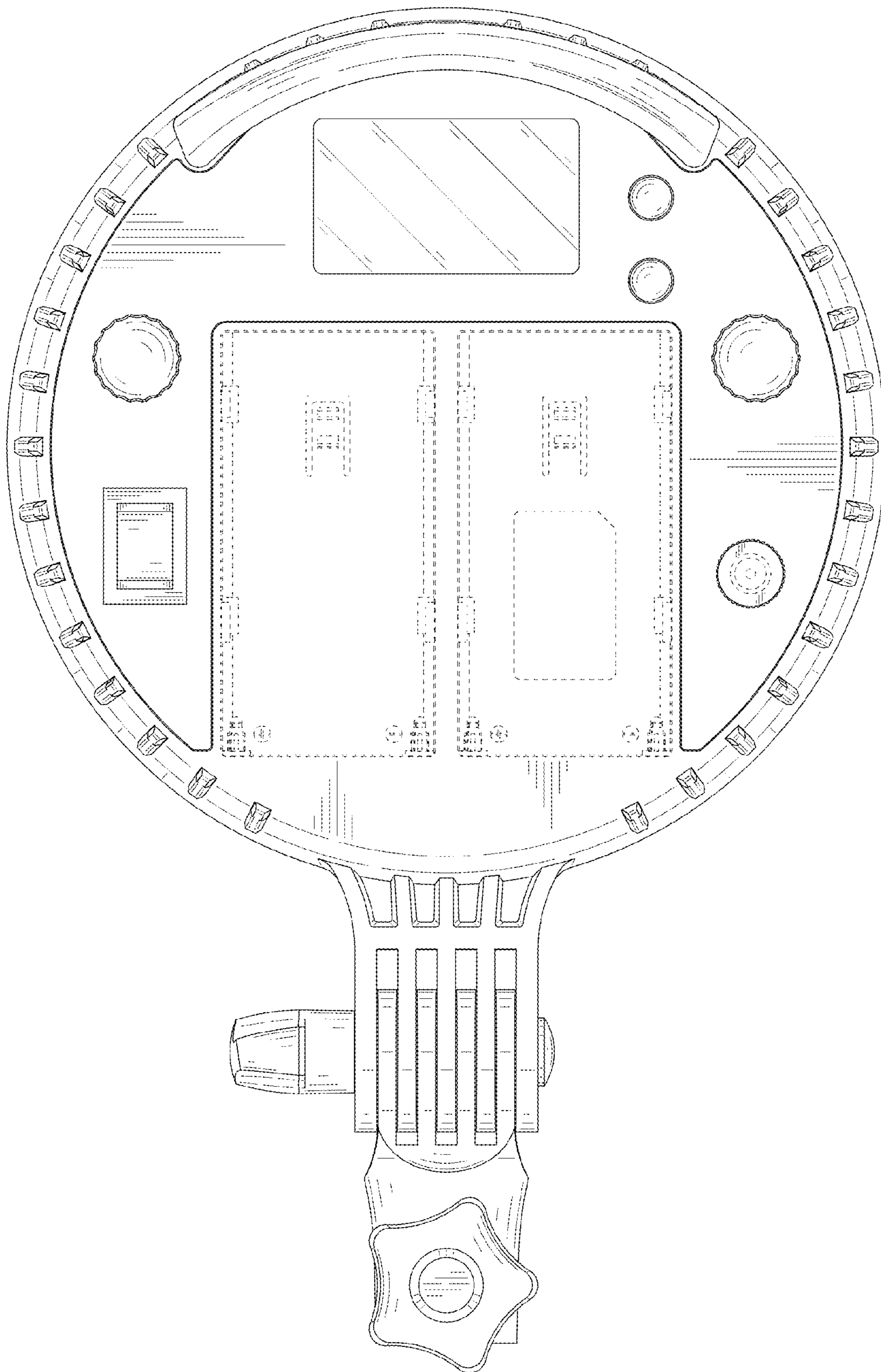


FIG. 4

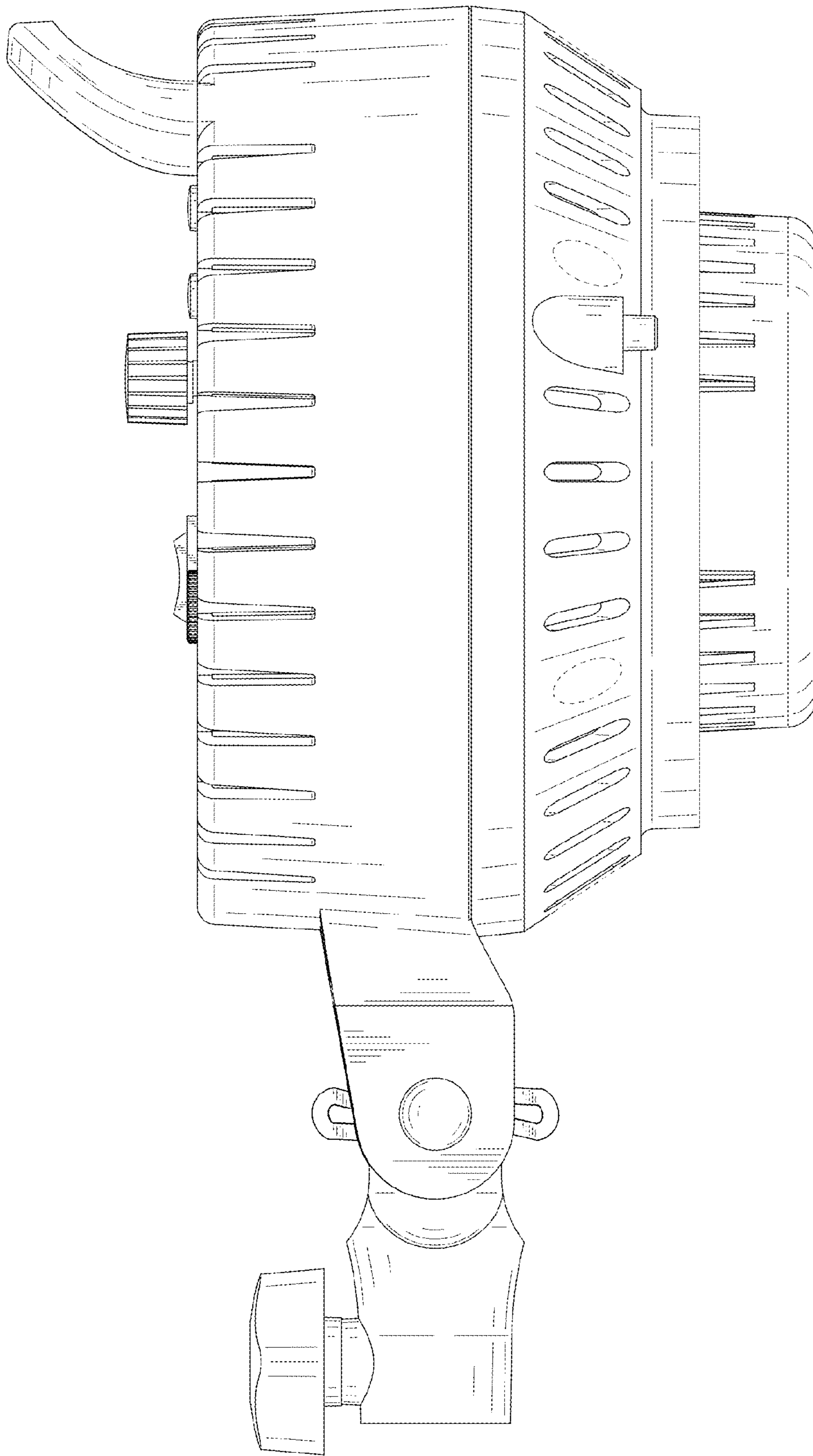


FIG. 5

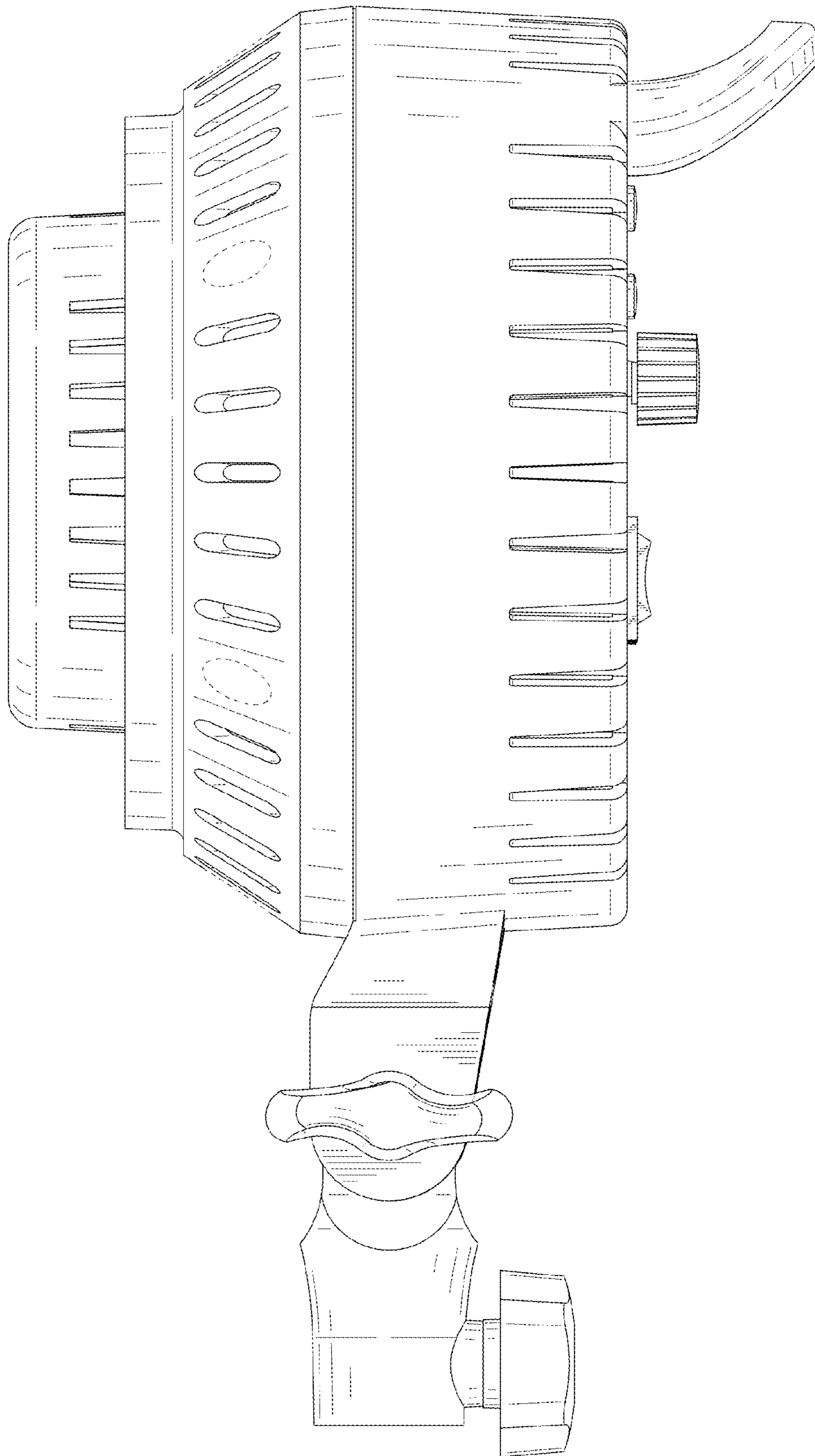


FIG. 6

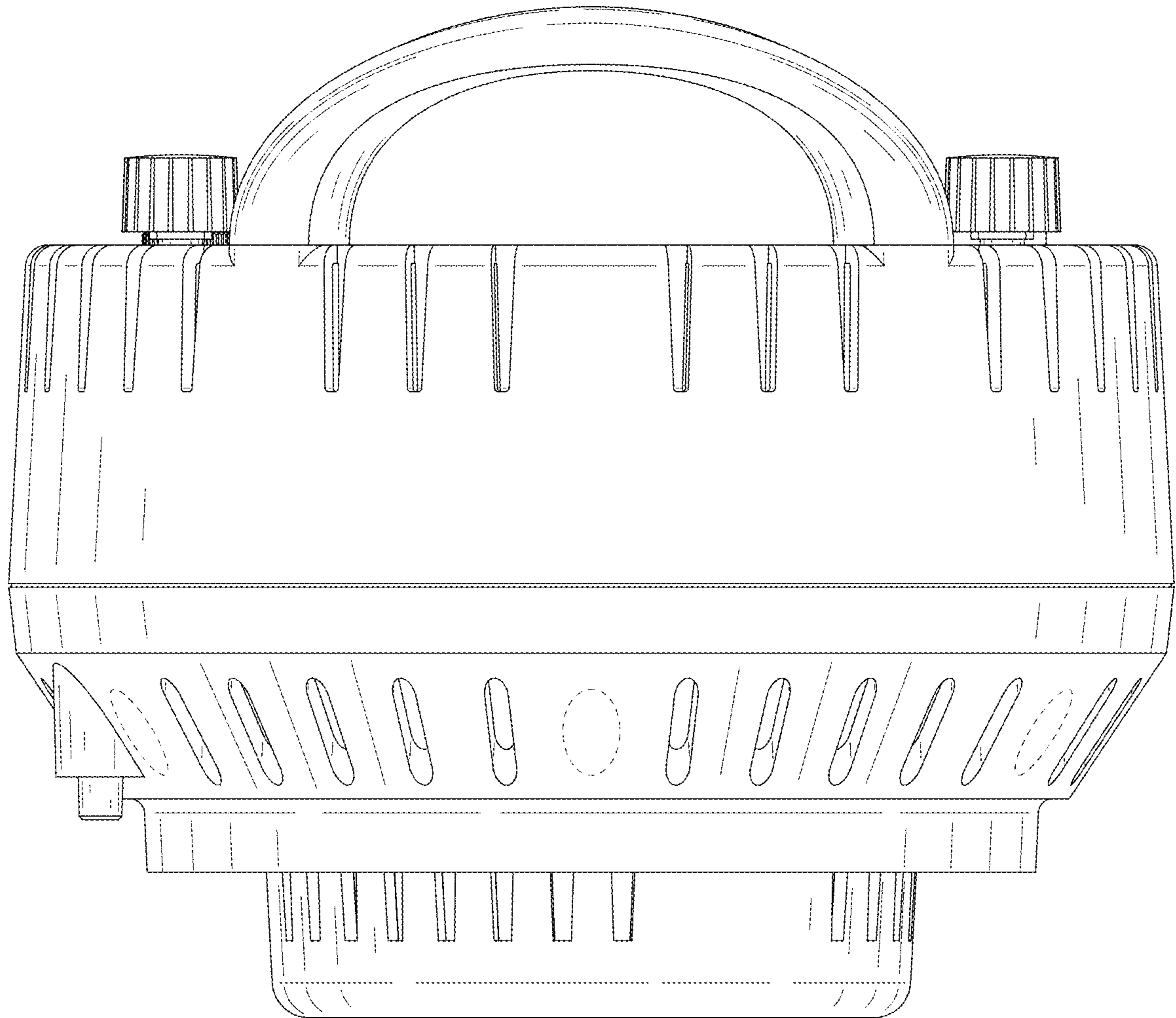


FIG. 7



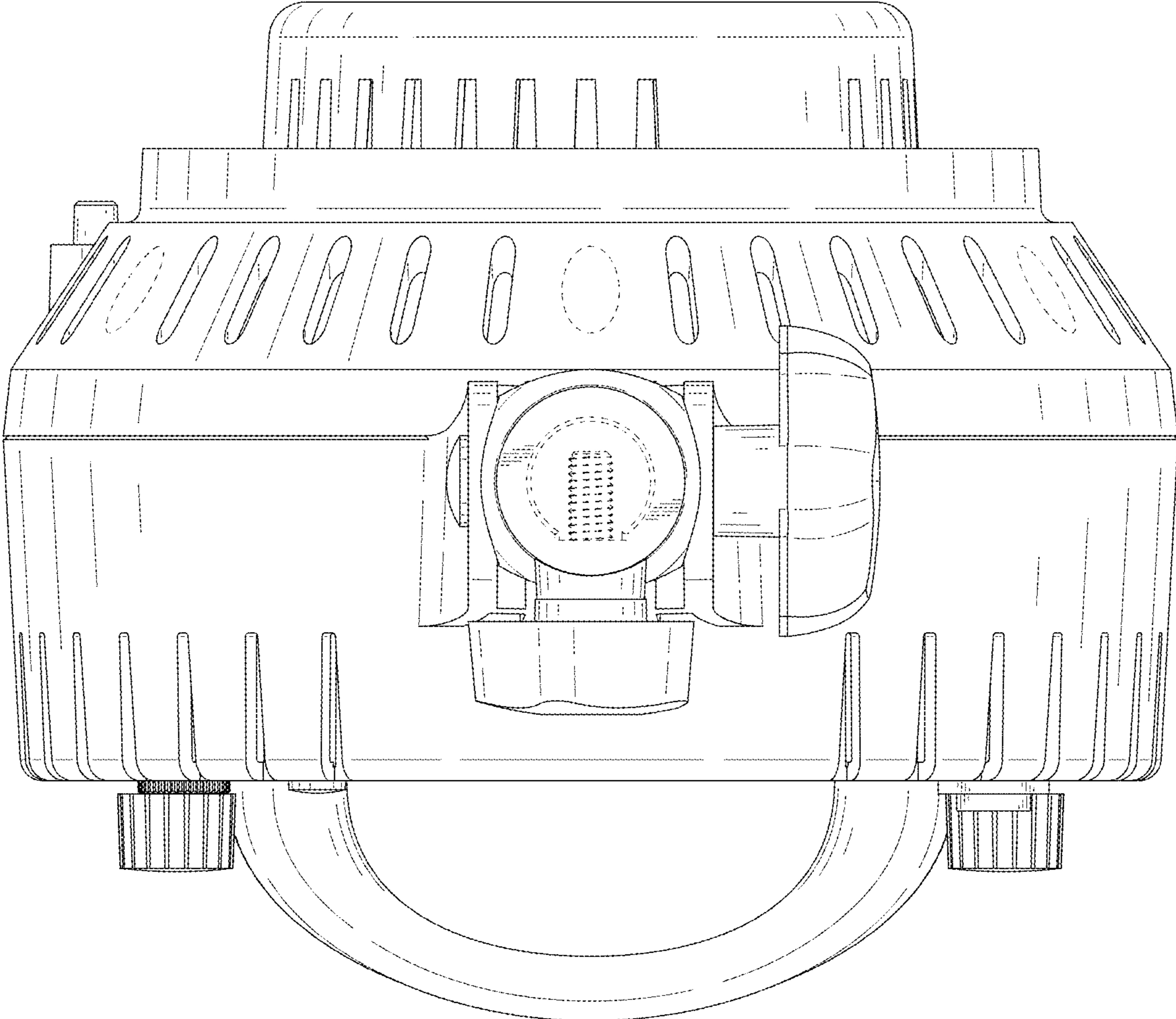


FIG. 8

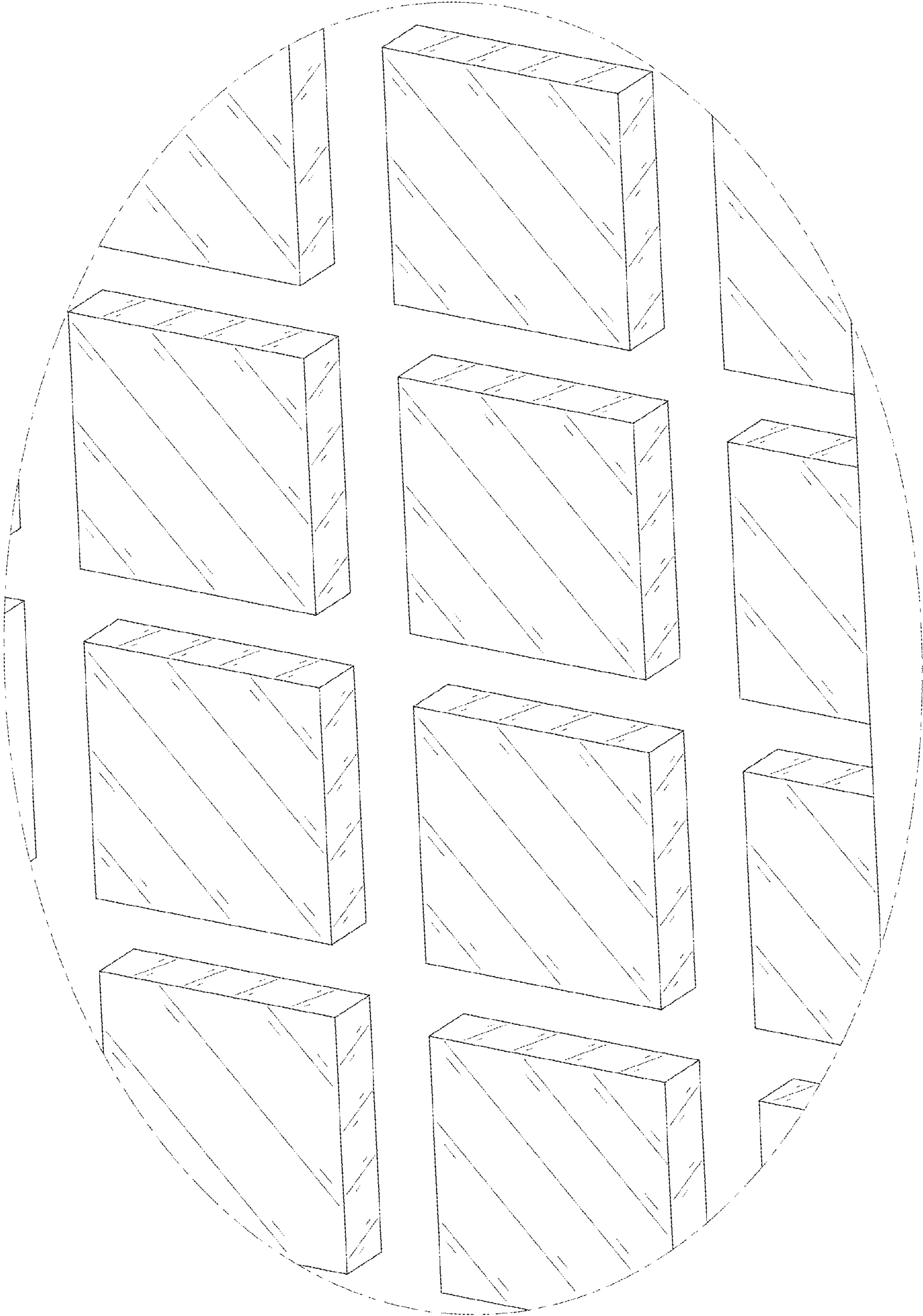


FIG. 9