

US00D960416S

(12) **United States Design Patent** (10) **Patent No.:** **US D960,416 S**  
**Dai** (45) **Date of Patent:** **\*\* Aug. 9, 2022**

(54) **FOLDABLE SELFIE LIGHT WITH PHONE HOLDER**

D887,052 S \* 6/2020 Xu ..... D26/39  
D921,260 S \* 6/2021 Ke ..... D26/65  
D929,024 S \* 8/2021 Xiao ..... D16/244  
D936,262 S \* 11/2021 Vargas ..... D26/56  
D936,886 S \* 11/2021 Chen ..... D26/65  
2017/0118385 A1\* 4/2017 Vargas ..... G03B 17/561

(71) Applicant: **SHENZHEN INTELLIARK TECHNOLOGY CO., LTD**, Shenzhen (CN)

(72) Inventor: **Yuncheng Dai**, Shenzhen (CN)

(73) Assignee: **SHENZHEN INTELLIARK TECHNOLOGY CO., LTD**, Shenzhen (CN)

(\*\*) Term: **15 Years**

(21) Appl. No.: **29/799,971**

(22) Filed: **Jul. 19, 2021**

(30) **Foreign Application Priority Data**

Mar. 15, 2021 (CN) ..... 202130138835.4

(51) **LOC (13) Cl.** ..... **26-05**

(52) **U.S. Cl.**  
USPC ..... **D26/51**

(58) **Field of Classification Search**  
USPC ..... D26/24, 37-52, 61-63, 65, 93, 104-107, D26/113, 118-120, 138  
CPC ..... F21Y 2115/10; F21Y 2105/18; F21Y 2113/10; F21Y 2103/30; F21Y 2105/00; F21V 5/046; F21V 21/14; F21V 3/02  
See application file for complete search history.

(56) **References Cited**

**U.S. PATENT DOCUMENTS**

D854,227 S \* 7/2019 Yu ..... D26/106  
D880,048 S \* 3/2020 Zhu ..... D26/106  
D886,360 S \* 6/2020 Xu ..... D26/106

**OTHER PUBLICATIONS**

JSAUX Extendable Selfie Stand. By JSAUX. Dated Feb. 21, 2022. Found online [Apr. 20, 2022]. <https://www.amazon.com/JSAUX-Extendable-360%C2%B0Rotation-Rechargeable-Brightness/dp/B09NZ7LGGJ> (Year: 2022).\*

\* cited by examiner

*Primary Examiner* — Marissa J Cash  
*Assistant Examiner* — William B Melliar

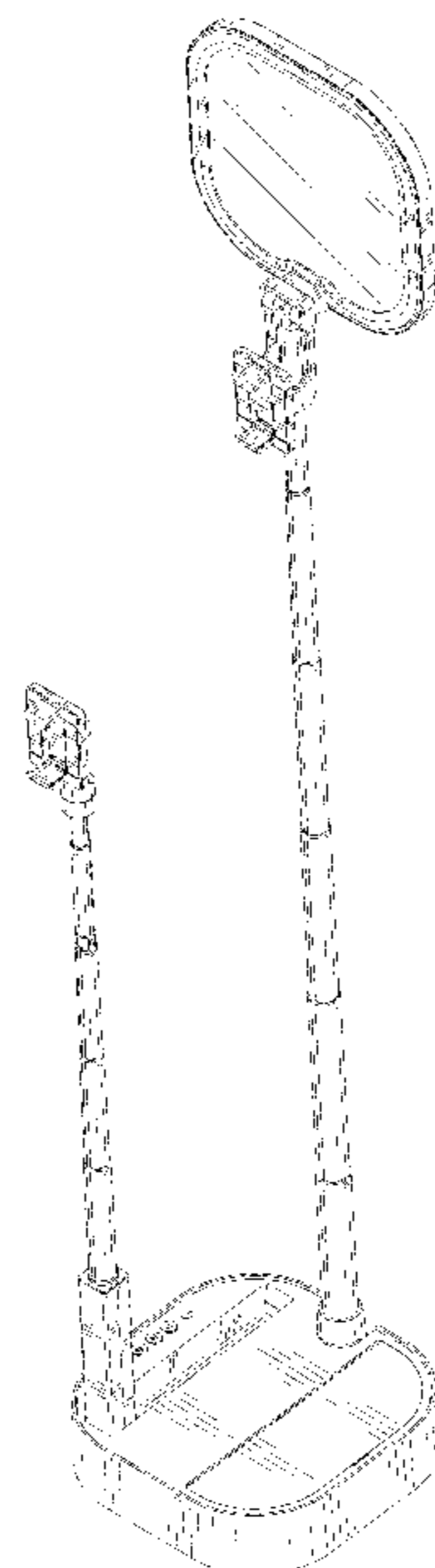
(57) **CLAIM**

The ornamental design for a foldable selfie light with phone holder, as shown and described.

**DESCRIPTION**

FIG. 1 is a perspective view of a foldable selfie light with phone holder showing my new design; FIG. 2 is another perspective view thereof; FIG. 3 is a front elevational view thereof; FIG. 4 is a rear elevational view thereof; FIG. 5 is a left side elevational view thereof; FIG. 6 is a right side elevational view thereof; FIG. 7 is a top plan view thereof; FIG. 8 is a bottom plan view thereof; and, FIG. 9 is a perspective view of the foldable selfie light with phone holder where the foldable selfie light with phone holder is in a closed state. The broken lines in the drawings depict portions of the foldable selfie light with phone holder that form no part of the claimed design.

**1 Claim, 9 Drawing Sheets**



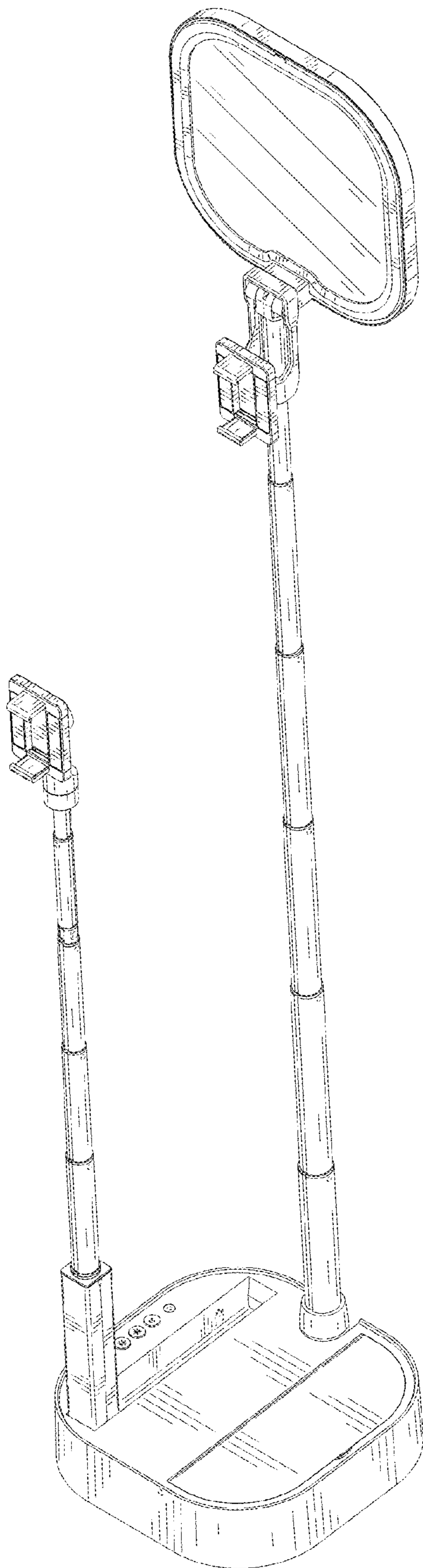


FIG. 1

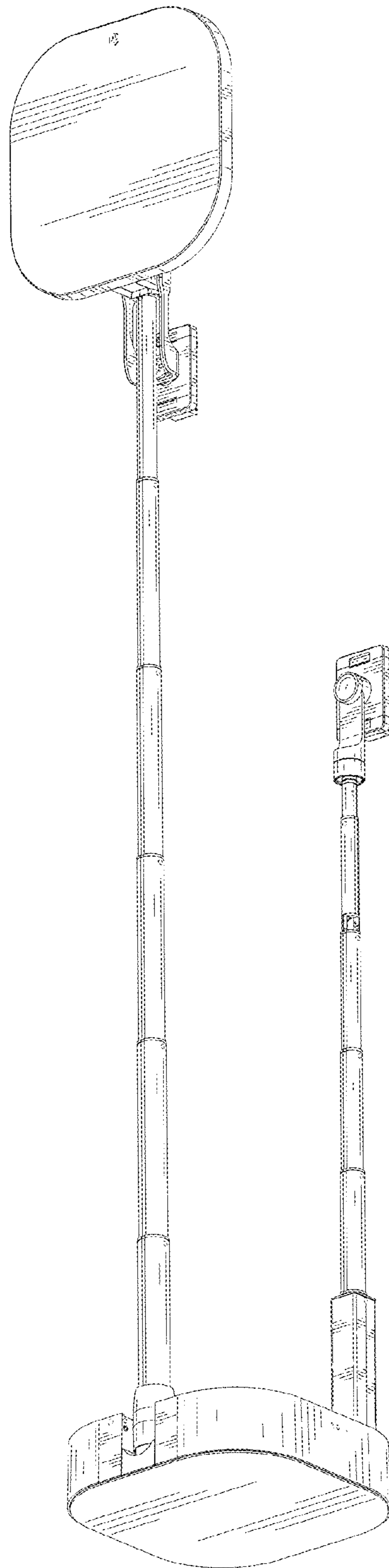


FIG. 2

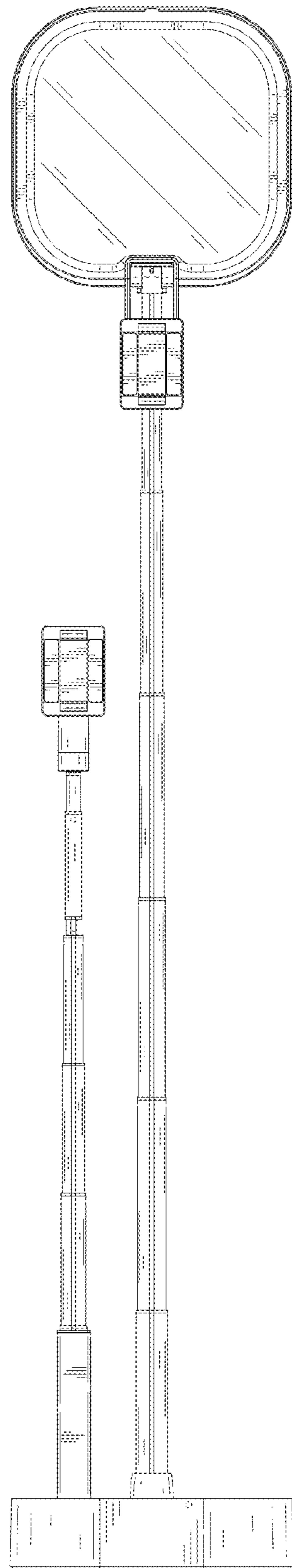


FIG. 3

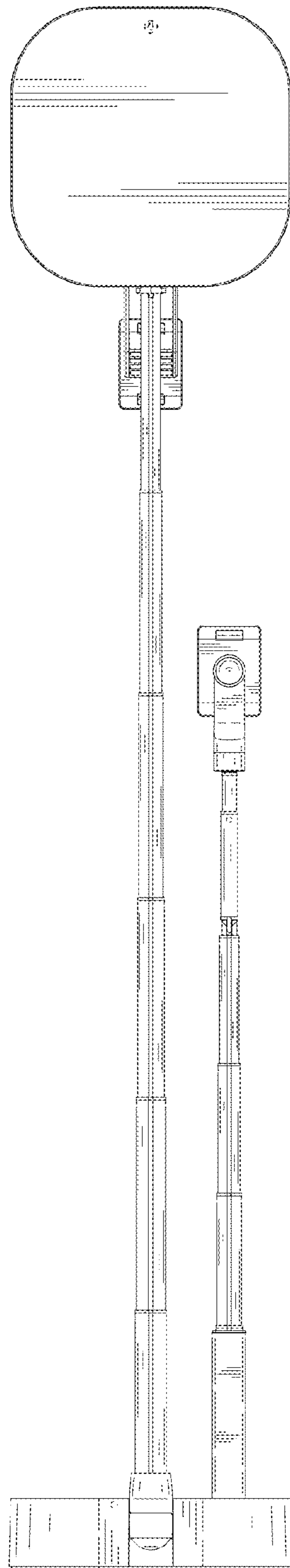


FIG. 4

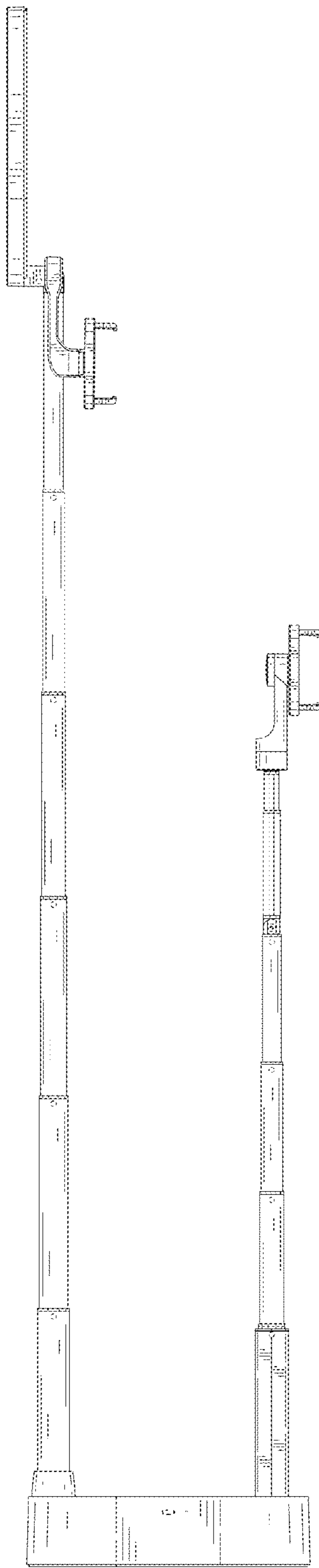


FIG. 5

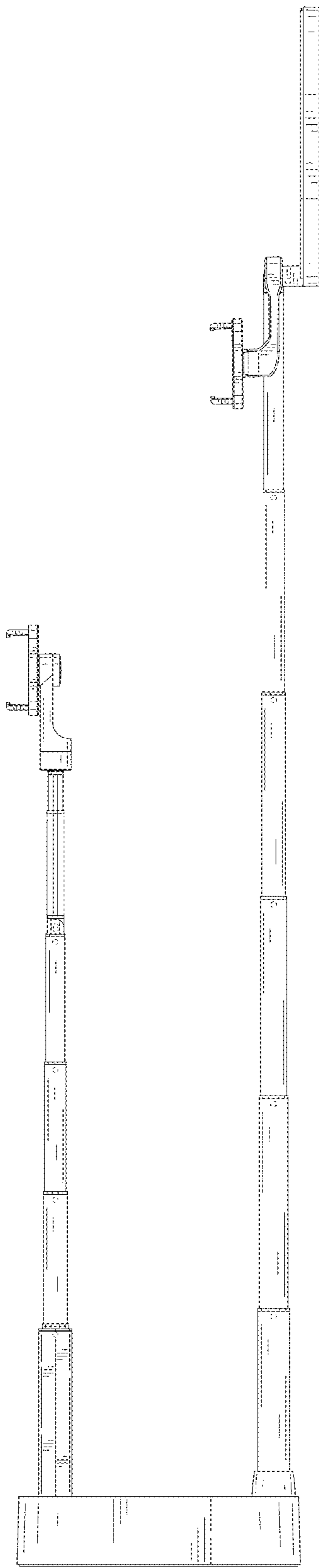


FIG. 6

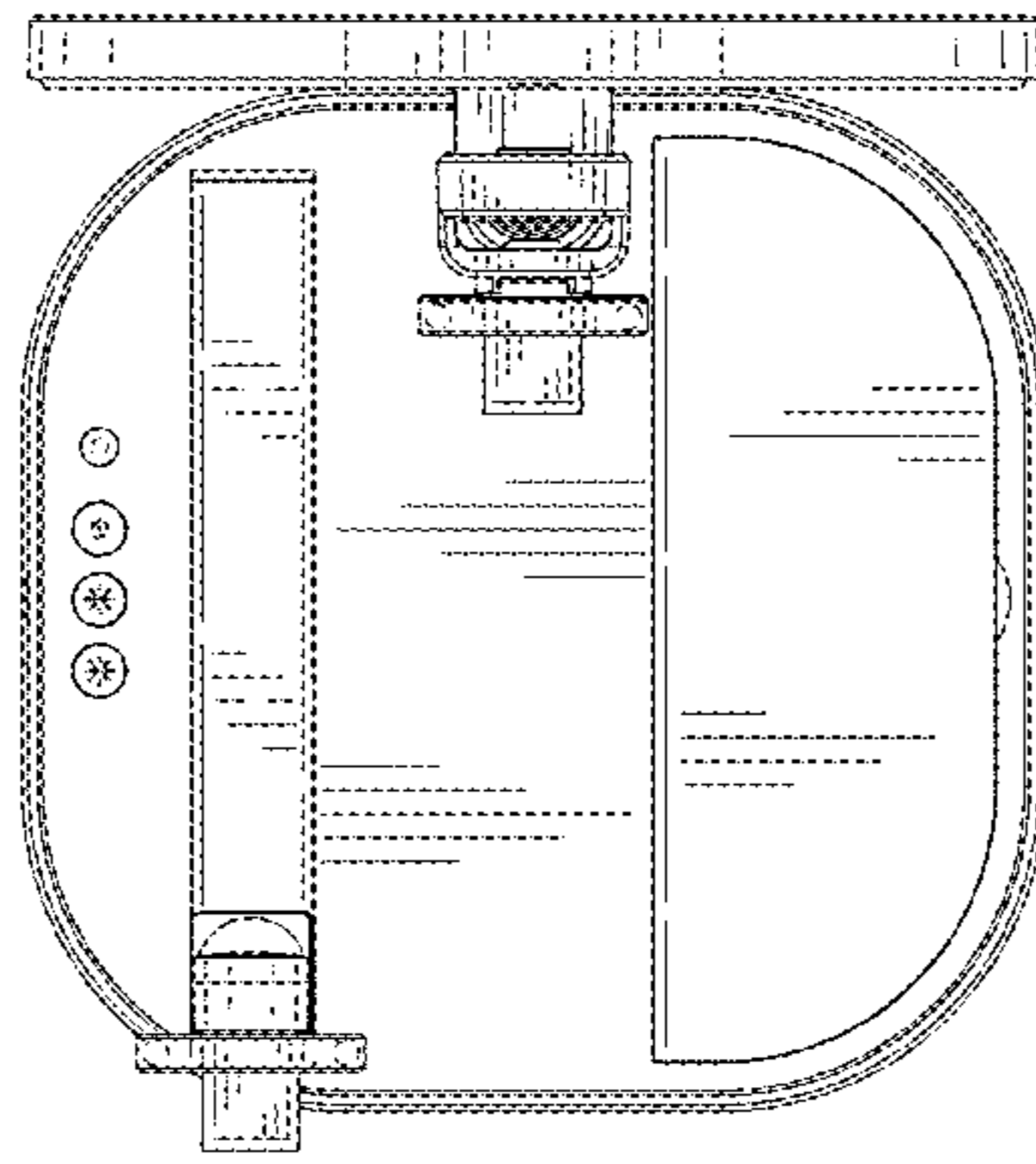


FIG. 7



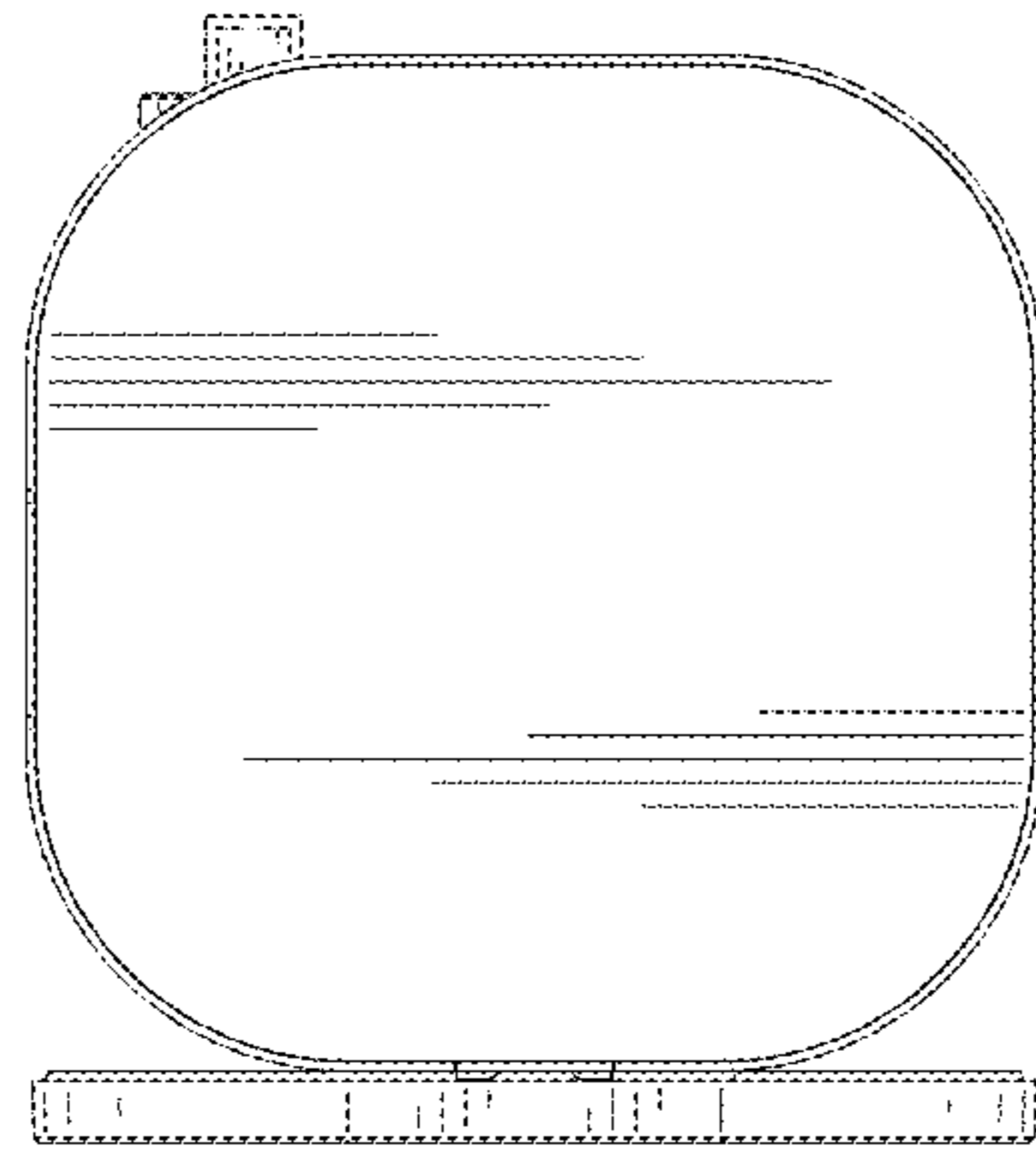


FIG. 8

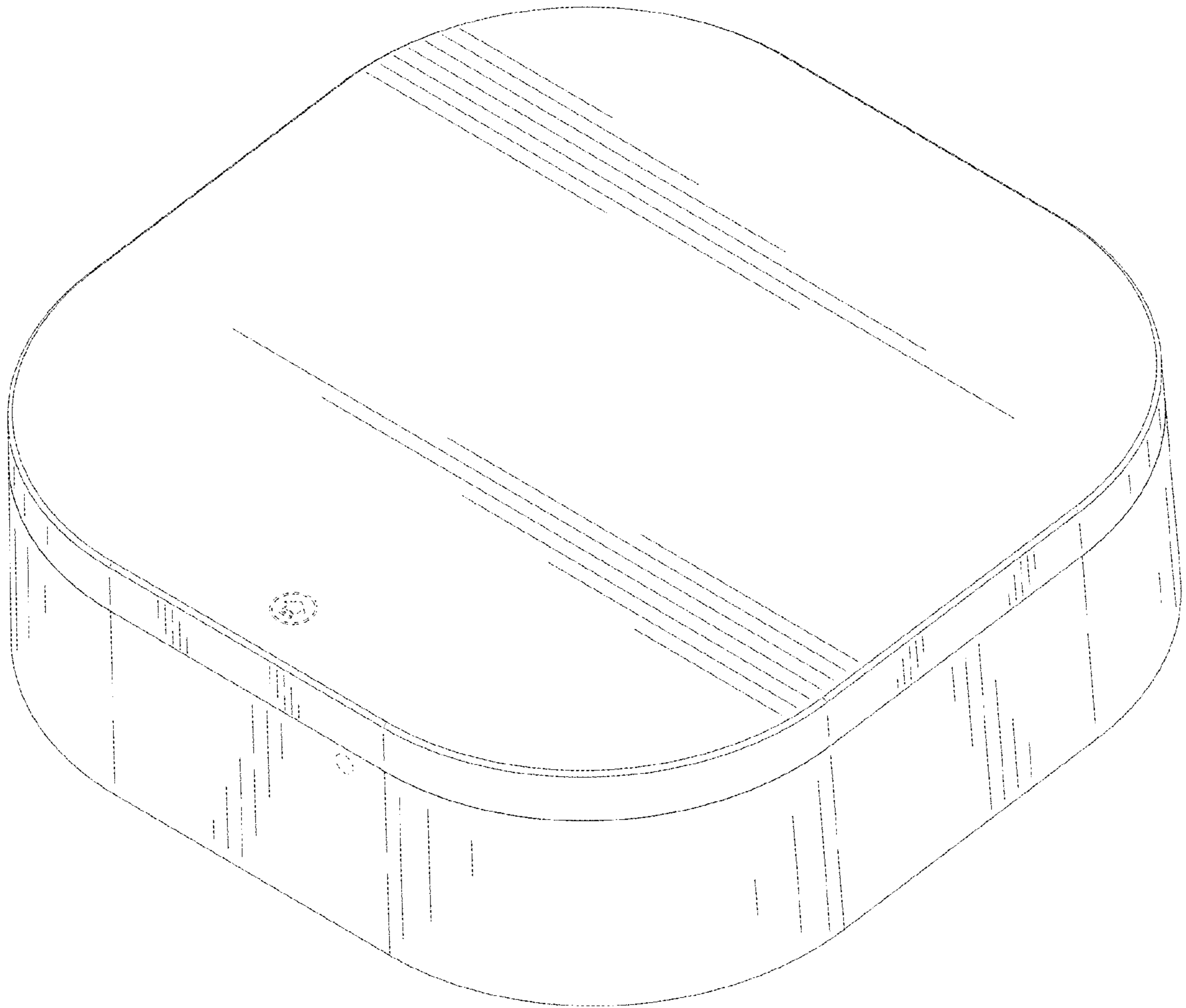


FIG. 9