



US00D960413S

(12) **United States Design Patent** (10) **Patent No.:** **US D960,413 S**
Murray (45) **Date of Patent:** **** Aug. 9, 2022**

(54) **VEHICLE REAR RAMP**

F21W 2102/17; F21W 2103/00; F21W 2103/35; F21W 2103/55; F21W 2107/13; F21W 2107/17

(71) Applicant: **Gordon Murray Design Limited**, Shalford (GB)

See application file for complete search history.

(72) Inventor: **Ian Gordon Murray**, Puttenham (GB)

(56) **References Cited**

(73) Assignee: **GORDON MURRAY AUTOMOTIVE LIMITED**, Shalford (GB)

U.S. PATENT DOCUMENTS

(**) Term: **15 Years**

(21) Appl. No.: **29/818,224**

(22) Filed: **Dec. 7, 2021**

| | | | |
|--------------|---------|----------------|--------|
| D596,767 S * | 7/2009 | Idei | D26/28 |
| D600,374 S * | 9/2009 | Brew | D26/28 |
| D601,728 S * | 10/2009 | Kogo | D26/28 |
| D605,793 S * | 12/2009 | Weil | D26/28 |
| D617,021 S * | 6/2010 | Ishiguri | D26/28 |
| D692,345 S | 10/2013 | Murray | |
| D693,038 S * | 11/2013 | Kojima | D26/28 |
| D826,089 S | 8/2018 | Lesnik et al. | |
| D839,133 S | 1/2019 | Hilton et al. | |
| D899,303 S | 10/2020 | Hilton et al. | |
| D927,359 S | 8/2021 | Manzoni | |

Related U.S. Application Data

(62) Division of application No. 29/736,214, filed on May 28, 2020, now Pat. No. Des. 944,685.

* cited by examiner

(30) **Foreign Application Priority Data**

Primary Examiner — Marcus A Jackson

| | | | |
|---------------|------|-------|---------|
| Nov. 29, 2019 | (GB) | | 6077765 |
| Nov. 29, 2019 | (GB) | | 6077766 |
| Nov. 29, 2019 | (GB) | | 6077767 |
| Nov. 29, 2019 | (GB) | | 6077768 |

(74) *Attorney, Agent, or Firm* — Westman, Champlin & Kochlet, P.A.; Z. Peter Sawicki; Amanda M. Prose

(51) **LOC (13) Cl.** **26-06**

(57) **CLAIM**

(52) **U.S. Cl.**
USPC **D26/28**

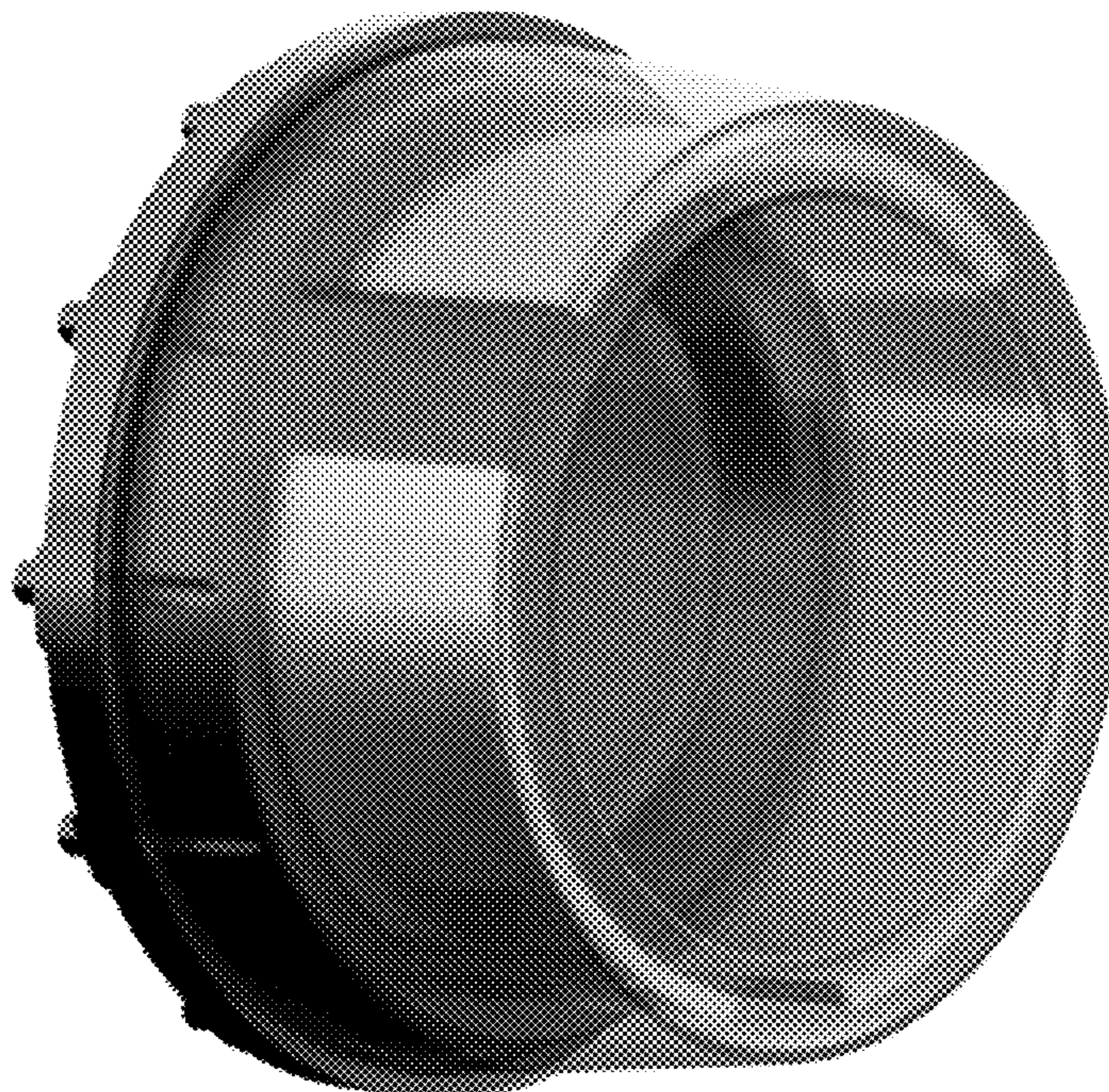
The ornamental design for a vehicle rear lamp, as shown and described.

DESCRIPTION

(58) **Field of Classification Search**
USPC D26/28-36, 139
CPC F21S 48/00; F21S 48/10; F21S 48/115; F21S 48/225; F21S 48/1233; F21S 48/1266; F21S 48/1388; F21S 48/2268; F21V 5/00; F21V 21/04; F21V 29/004; B60Q 9/13; B60Q 9/135; B60Q 9/1375;

FIG. 1 is a side perspective view of a vehicle rear lamp, showing my new design; FIG. 2 is a top perspective view thereof; and, FIG. 3 is a front view thereof. The bottom and rear of the vehicle rear lamp are not visible during normal use.

1 Claim, 2 Drawing Sheets



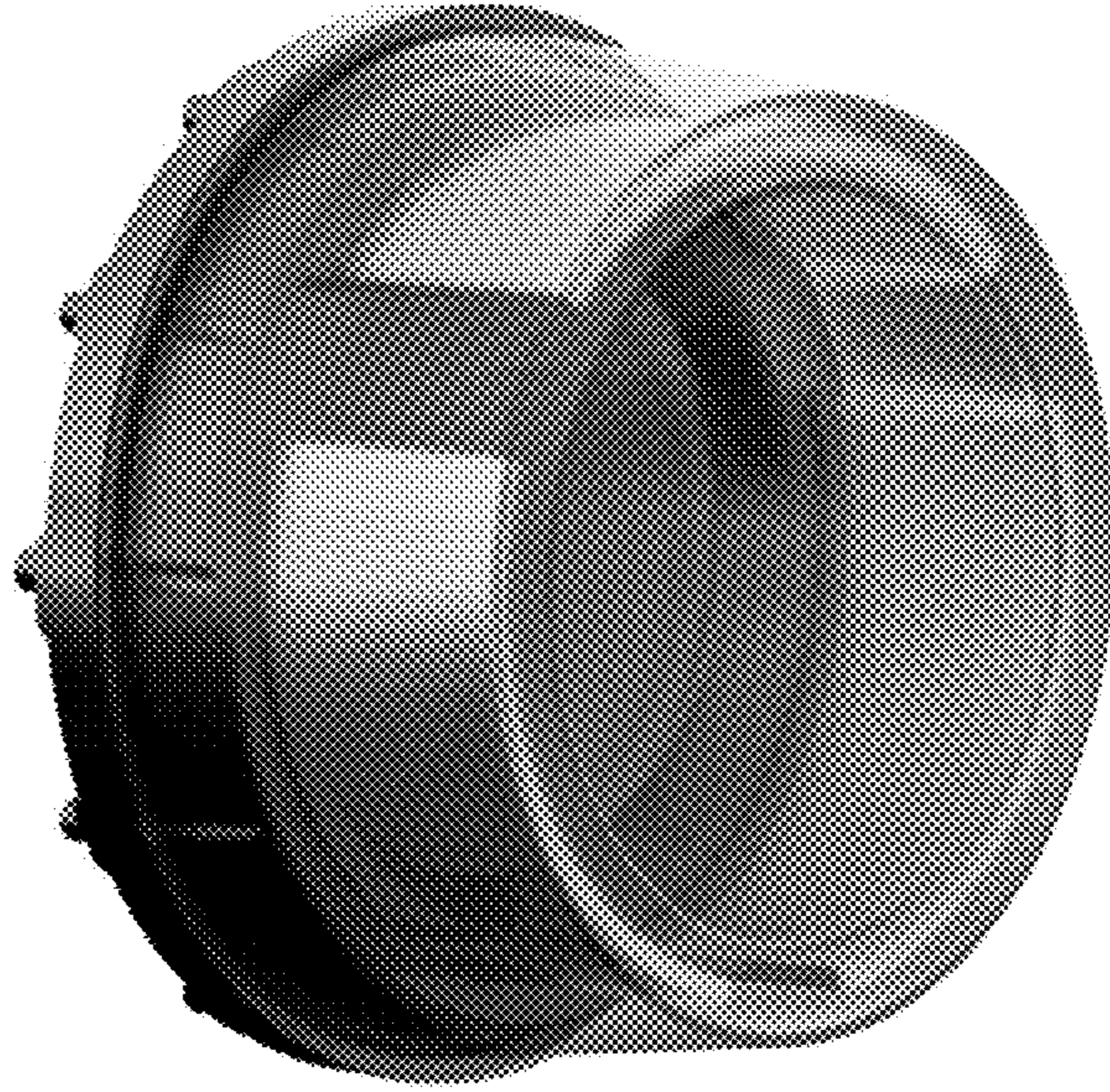


FIG. 1



FIG. 2



FIG. 3

UNITED STATES PATENT AND TRADEMARK OFFICE
CERTIFICATE OF CORRECTION

PATENT NO. : D960,413 S
APPLICATION NO. : 29/818224
DATED : August 9, 2022
INVENTOR(S) : Ian Gordon Murray

Page 1 of 1

It is certified that error appears in the above-identified patent and that said Letters Patent is hereby corrected as shown below:

On the Title Page

Item (54) "VEHICLE REAR RAMP" should be --VEHICLE REAR LAMP--

Item (74) "Westman, Champlin & Kochlet, P.A." should be --Westman, Champlin & Koehler, P.A.--

Signed and Sealed this
Twenty-seventh Day of December, 2022



Katherine Kelly Vidal
Director of the United States Patent and Trademark Office