

US00D960411S

(12) **United States Design Patent** (10) **Patent No.:** **US D960,411 S**
Langhals et al. (45) **Date of Patent:** **** Aug. 9, 2022**

(54) **FOG LAMP**

(71) Applicants: **Taylor A. Langhals**, Waterford, MI (US); **Tome Jovanoski**, Shelby Township, MI (US); **Timothy W. Anness**, Rochester Hills, MI (US)

(72) Inventors: **Taylor A. Langhals**, Waterford, MI (US); **Tome Jovanoski**, Shelby Township, MI (US); **Timothy W. Anness**, Rochester Hills, MI (US)

(73) Assignee: **FCA US LLC**, Auburn Hills, MI (US)

(**) Term: **15 Years**

(21) Appl. No.: **29/815,292**

(22) Filed: **Nov. 12, 2021**

Related U.S. Application Data

(63) Continuation-in-part of application No. 29/727,316, filed on Mar. 10, 2020, now Pat. No. Des. 935,940.

(51) **LOC (13) Cl.** **26-06**

(52) **U.S. Cl.**
USPC **D26/28**

(58) **Field of Classification Search**
USPC D26/28-36, 139
CPC F21S 48/00; F21S 48/10; F21S 48/115; F21S 48/225; F21S 48/1233; F21S 48/1266; F21S 48/1388; F21S 48/2268; F21V 5/00; F21V 21/04; F21V 29/004; B60Q 9/13; B60Q 9/135; B60Q 9/1375; F21W 2102/17; F21W 2103/00; F21W 2103/35; F21W 2103/55; F21W 2107/13; F21W 2107/17

See application file for complete search history.

(56) **References Cited**

U.S. PATENT DOCUMENTS

D530,029	S	*	10/2006	Neufeglise	D26/28
D630,353	S	*	1/2011	Reinbach	D26/28
D782,090	S	*	3/2017	Graham	D26/31
D810,330	S	*	2/2018	Sibitzky	D26/28
D874,037	S	*	1/2020	Grabowski	D26/28
D881,428	S	*	4/2020	Ko	D26/28
D888,295	S	*	6/2020	Grabowski	D26/28
D904,654	S	*	12/2020	Horn	D26/28
D913,539	S	*	3/2021	Maxey	D26/28

* cited by examiner

Primary Examiner — Marcus A Jackson

(74) *Attorney, Agent, or Firm* — Ralph E. Smith

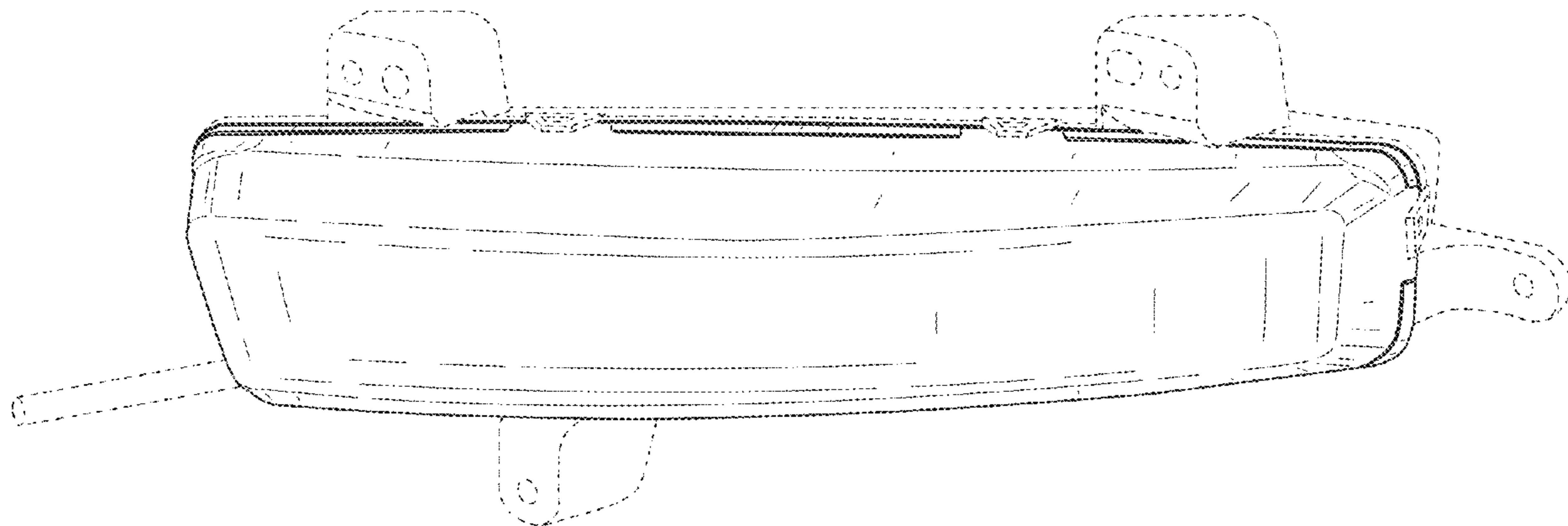
(57) **CLAIM**

The ornamental design for a fog lamp, as shown and described.

DESCRIPTION

FIG. 1 is a front perspective view of a fog lamp showing our new design;
FIG. 2 is a front view thereof;
FIG. 3 is a rear view thereof;
FIG. 4 is a side view thereof;
FIG. 5 is a top view thereof; and,
FIG. 6 is a bottom view thereof.
It will be understood that the broken lines shown in the drawings illustrate portions of the fog lamp that form no part of the claimed design.

1 Claim, 5 Drawing Sheets



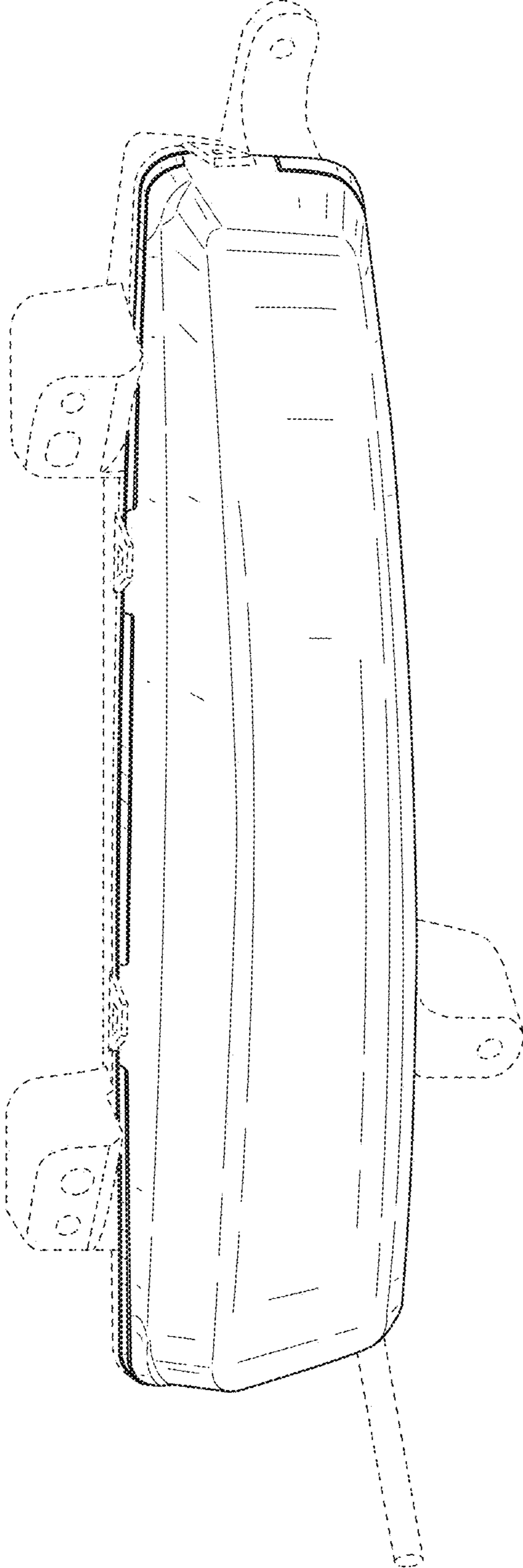


FIG. 1

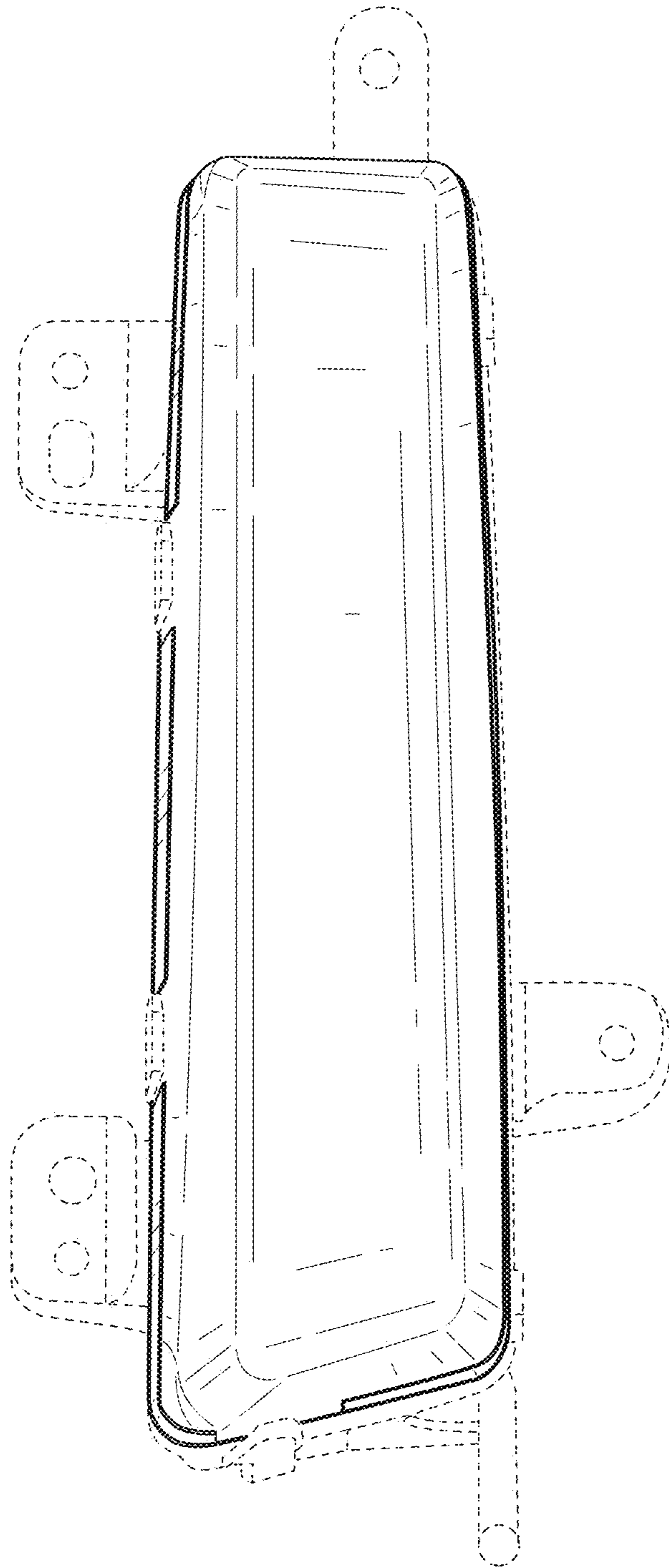


FIG. 2

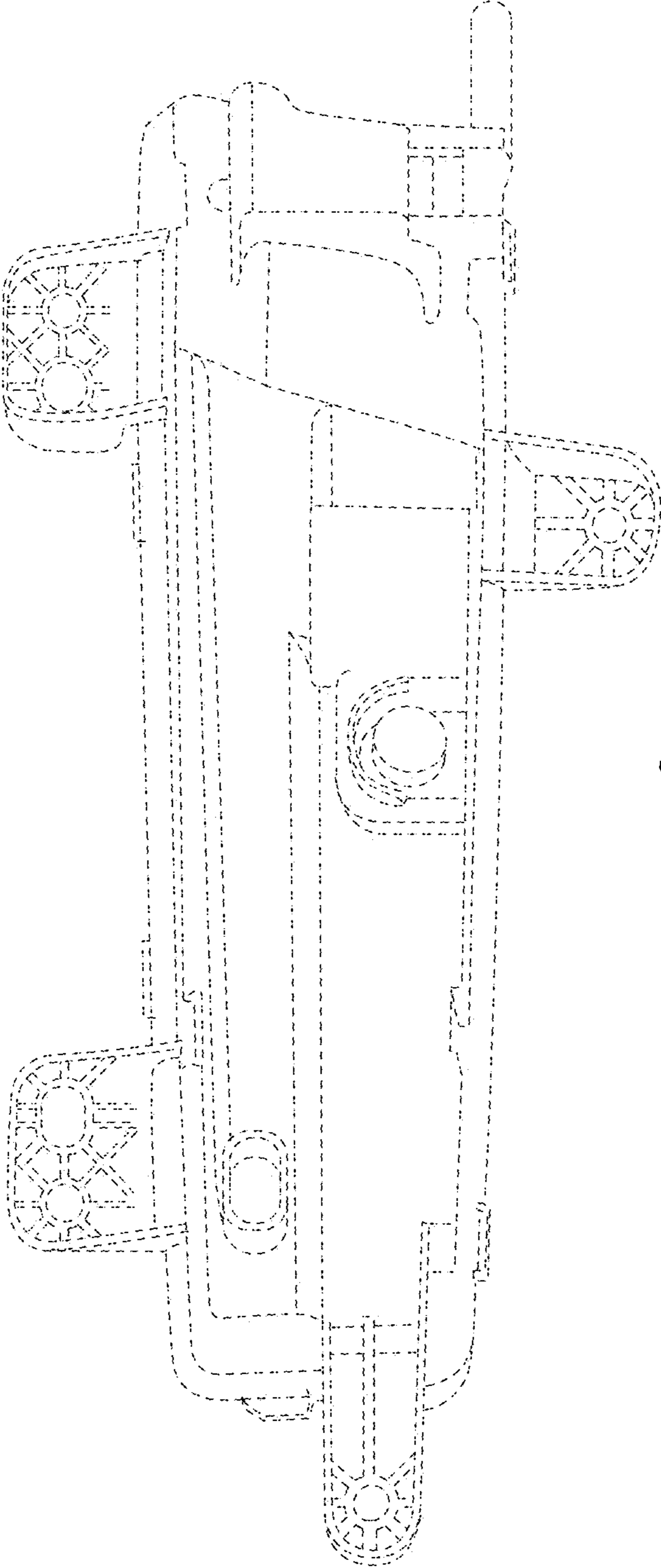


FIG. 3

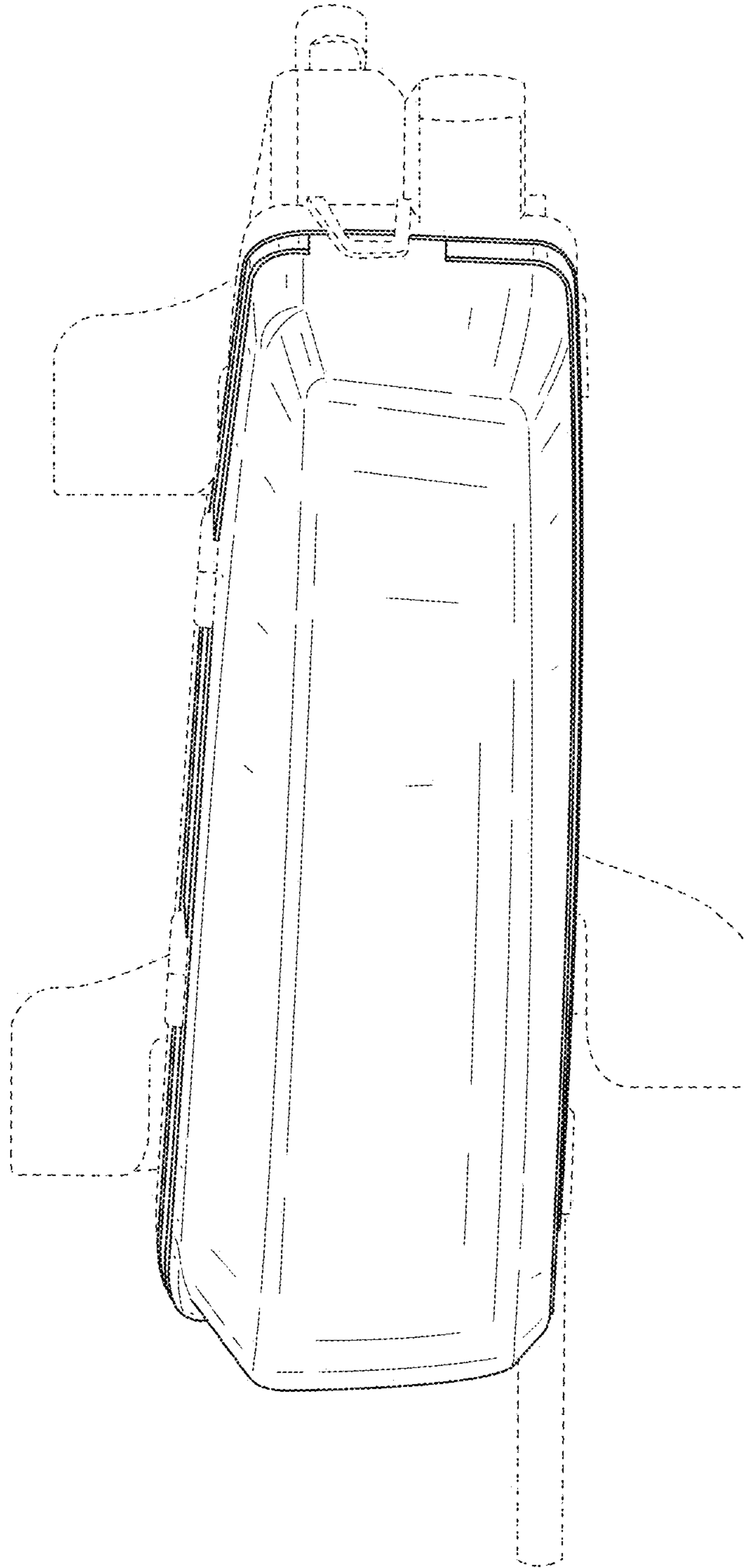


FIG. 4

