



US00D960409S

(12) **United States Design Patent** (10) **Patent No.:** **US D960,409 S**
Langhals et al. (45) **Date of Patent:** **** Aug. 9, 2022**

(54) **HEADLAMP**

(56) **References Cited**

(71) Applicants: **Taylor A. Langhals**, Waterford, MI (US); **Tome Jovanoski**, Shelby Township, MI (US); **Timothy W. Anness**, Rochester Hills, MI (US)

U.S. PATENT DOCUMENTS

D780,966 S	*	3/2017	Binder	D26/28
D840,566 S	*	2/2019	Lee	D26/28
D856,559 S	*	8/2019	Badstuebner	D26/28
D861,935 S	*	10/2019	Badstuebner	D26/28
D864,437 S	*	10/2019	Ishigaki	D26/28
D864,438 S	*	10/2019	Janssen	D26/28
D869,713 S	*	12/2019	Shim	D26/35
D897,013 S	*	9/2020	Cheng	D26/28

(72) Inventors: **Taylor A. Langhals**, Waterford, MI (US); **Tome Jovanoski**, Shelby Township, MI (US); **Timothy W. Anness**, Rochester Hills, MI (US)

* cited by examiner

(73) Assignee: **FCA US LLC**, Auburn Hills, MI (US)

Primary Examiner — Marcus A Jackson

(**) Term: **15 Years**

(74) *Attorney, Agent, or Firm* — Ralph E. Smith

(21) Appl. No.: **29/815,289**

(22) Filed: **Nov. 12, 2021**

(57) **CLAIM**

Related U.S. Application Data

The ornamental design for a headlamp, as shown and described.

(63) Continuation-in-part of application No. 29/727,314, filed on Mar. 10, 2020.

(51) **LOC (13) Cl.** **26-06**

DESCRIPTION

(52) **U.S. Cl.**
USPC **D26/28**

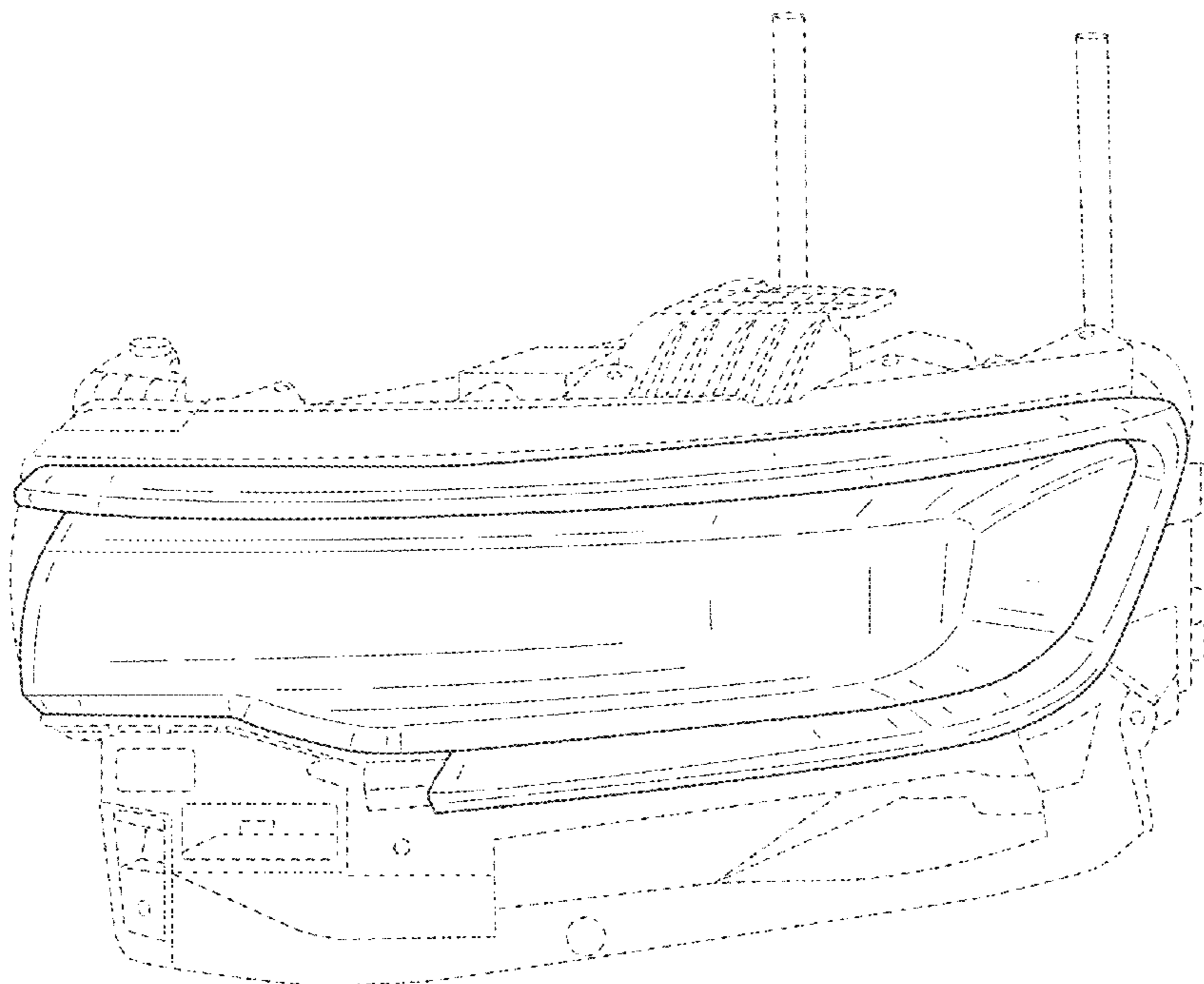
(58) **Field of Classification Search**
USPC D26/28-36, 139
CPC F21S 48/00; F21S 48/10; F21S 48/115; F21S 48/225; F21S 48/1233; F21S 48/1266; F21S 48/1388; F21V 5/00; F21V 21/04; F21V 29/004; B60Q 9/13; B60Q 9/135; B60Q 9/1375; F21W 2102/17; F21W 2103/00; F21W 2103/35; F21W 2103/55; F21W 2107/13; F21W 2107/17

FIG. 1 is a front perspective view of a headlamp showing our new design;
FIG. 2 is a front view thereof;
FIG. 3 is a rear view thereof;
FIG. 4 is a side view thereof;
FIG. 5 is a top view thereof; and,
FIG. 6 is a bottom view thereof.

It will be understood that the broken lines shown in the drawings illustrate portions of the headlamp that form no part of the claimed design.

See application file for complete search history.

1 Claim, 6 Drawing Sheets



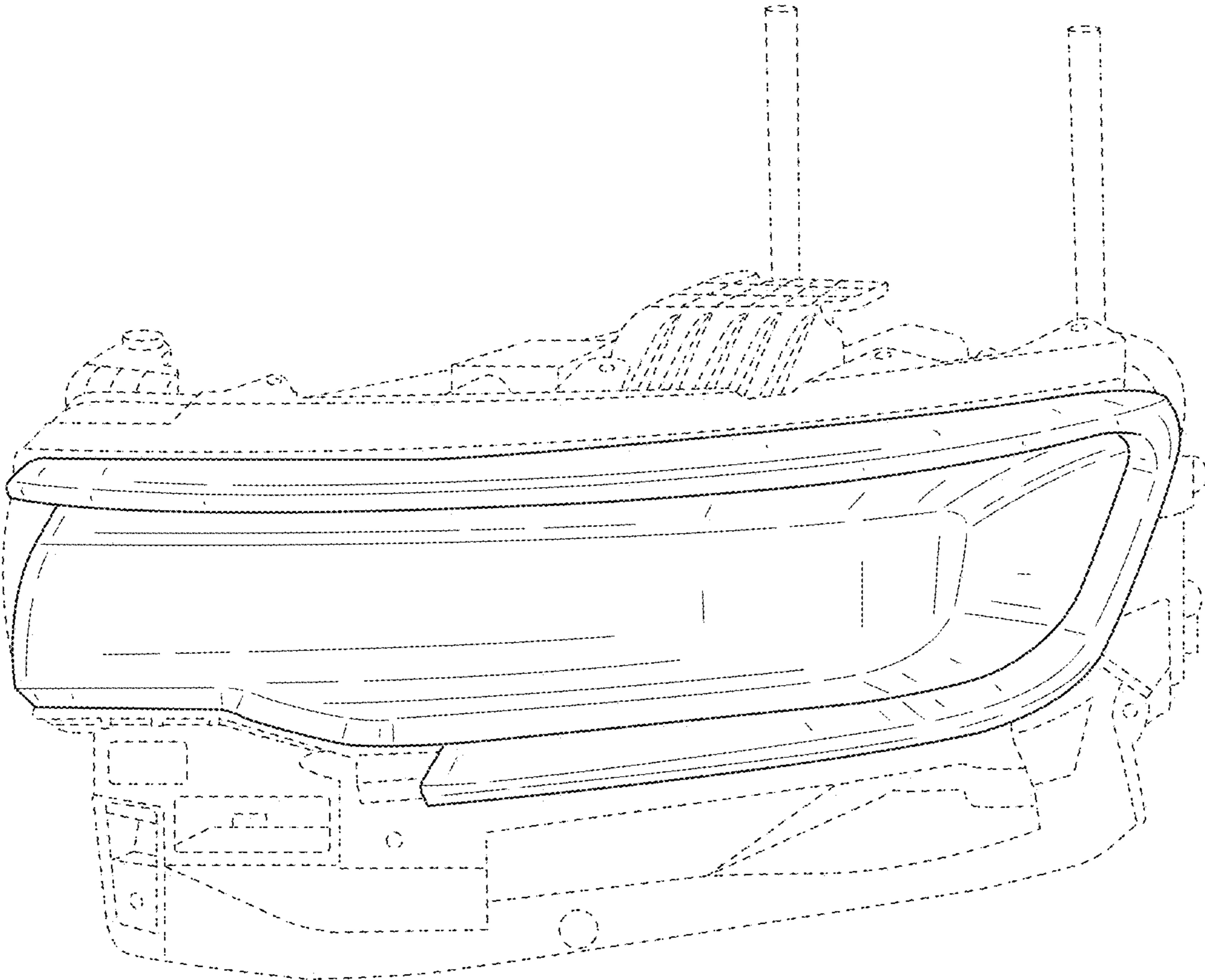


FIG. 1

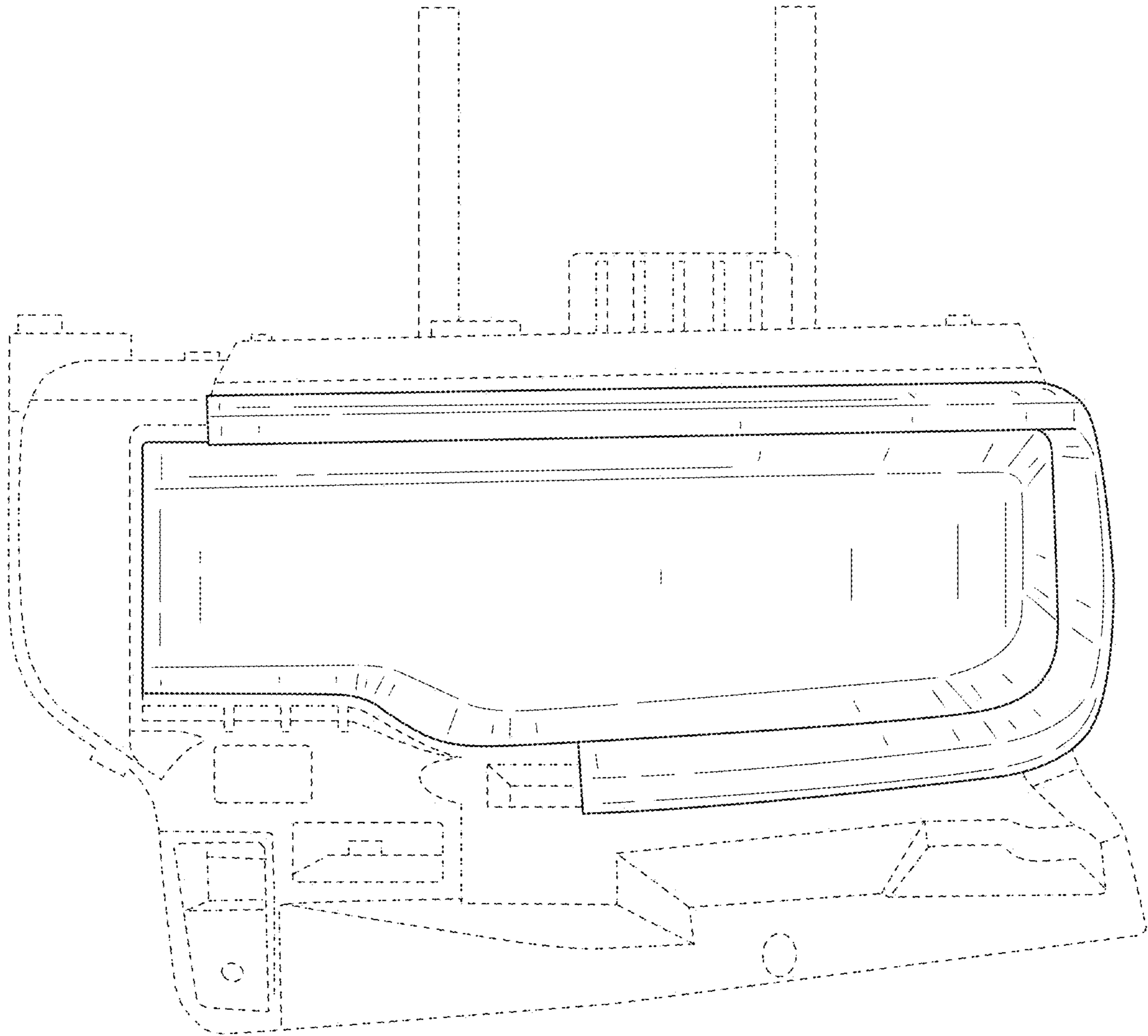


FIG. 2

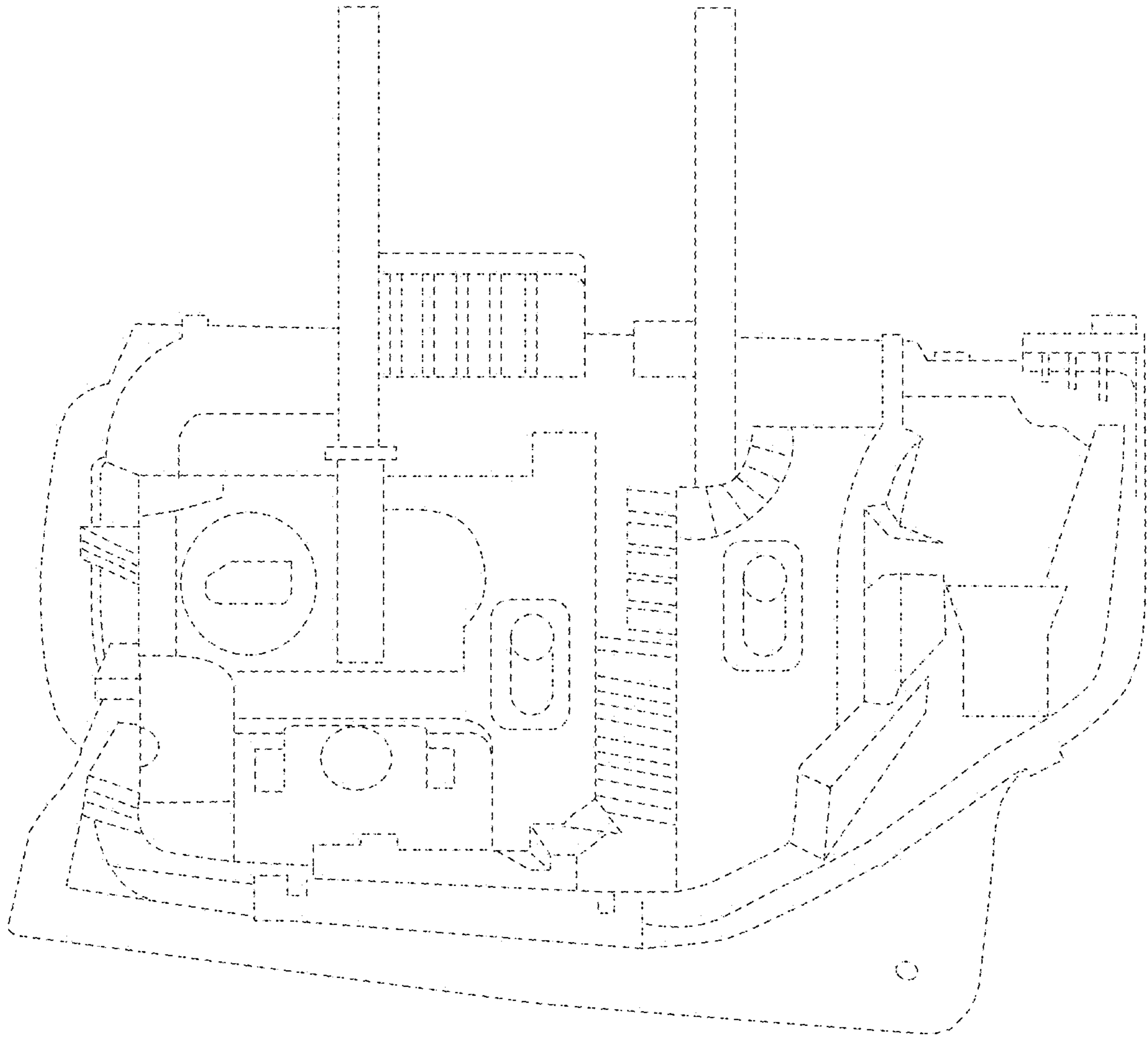


FIG. 3

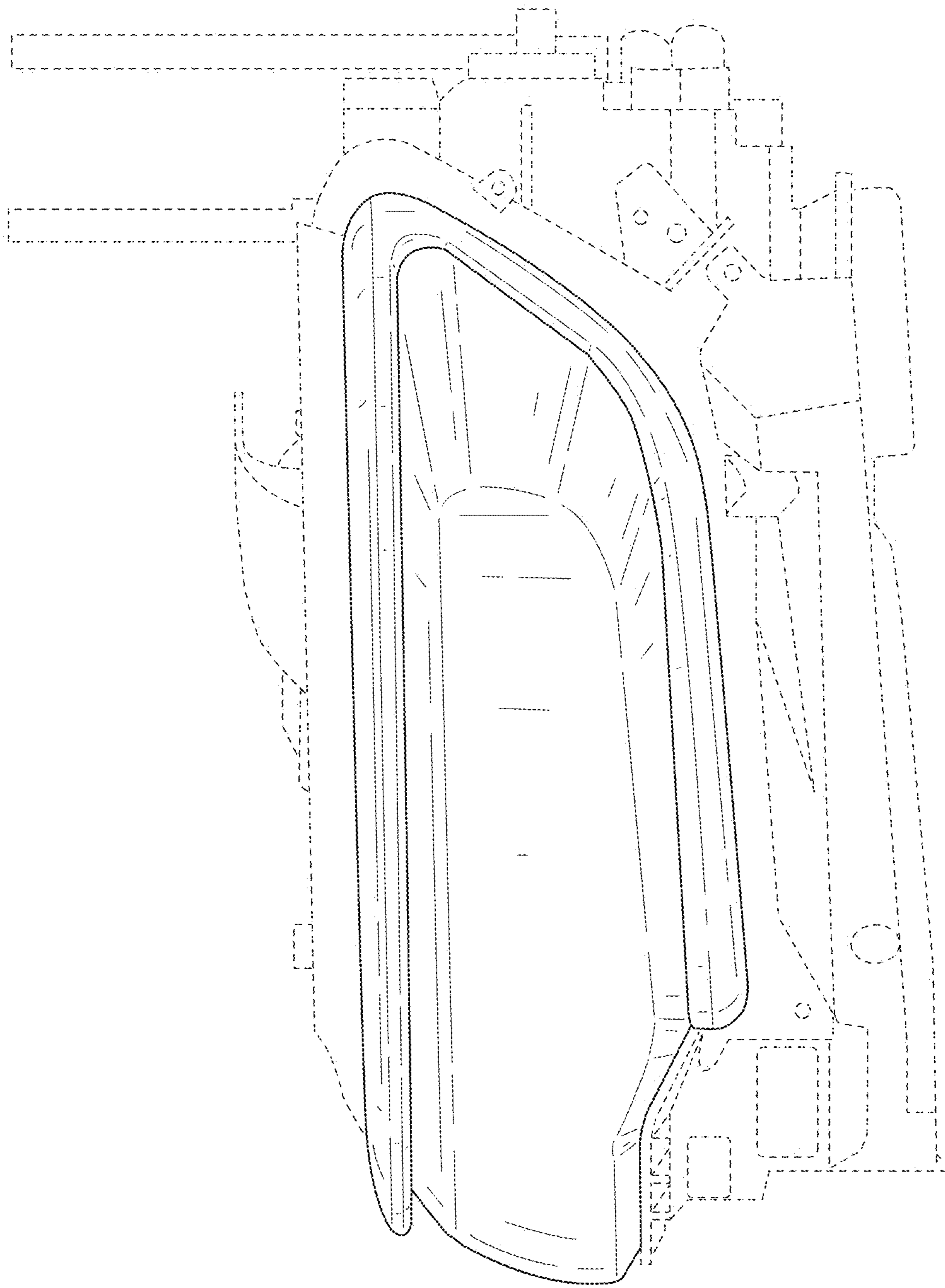


FIG. 4

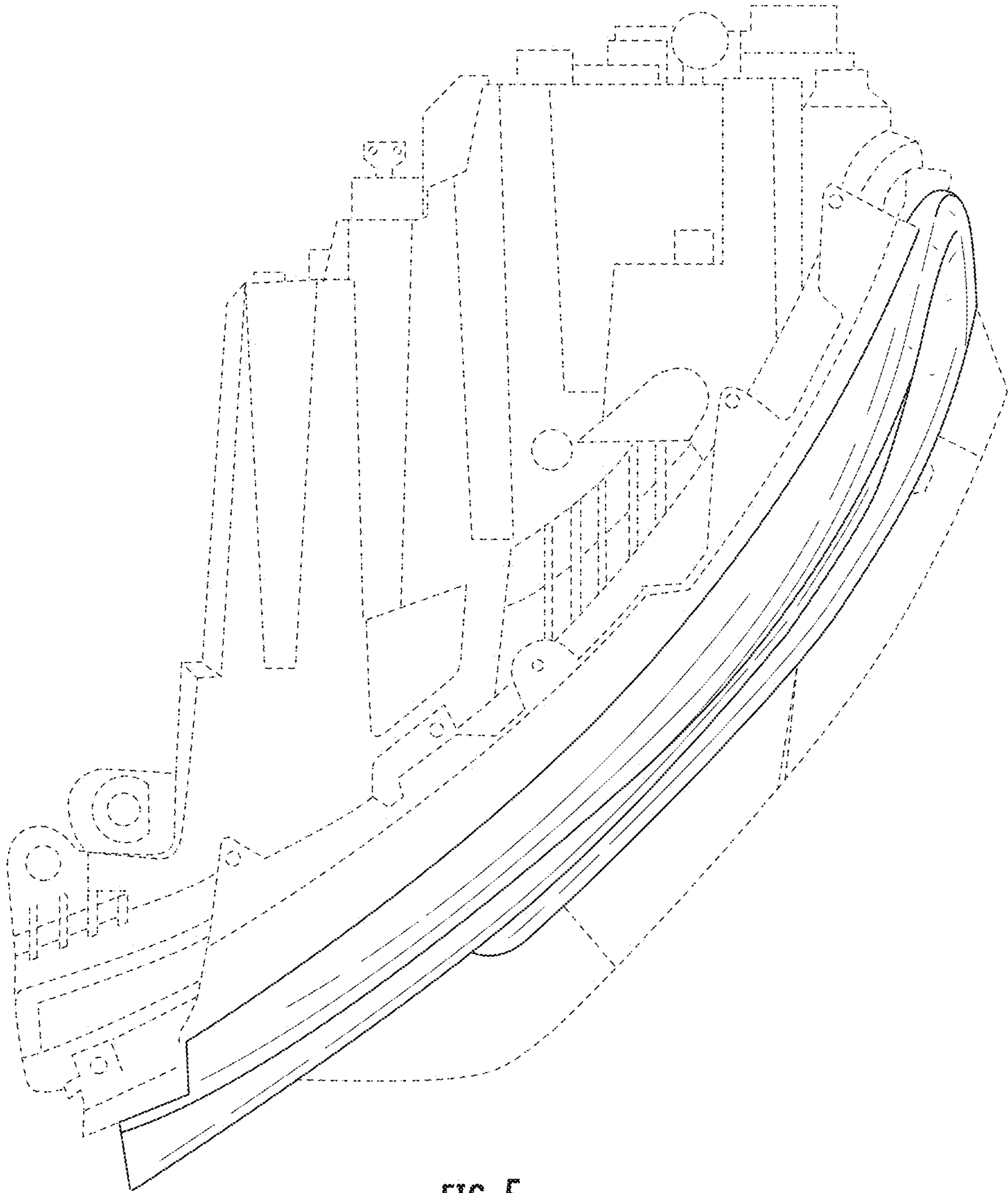


FIG. 5

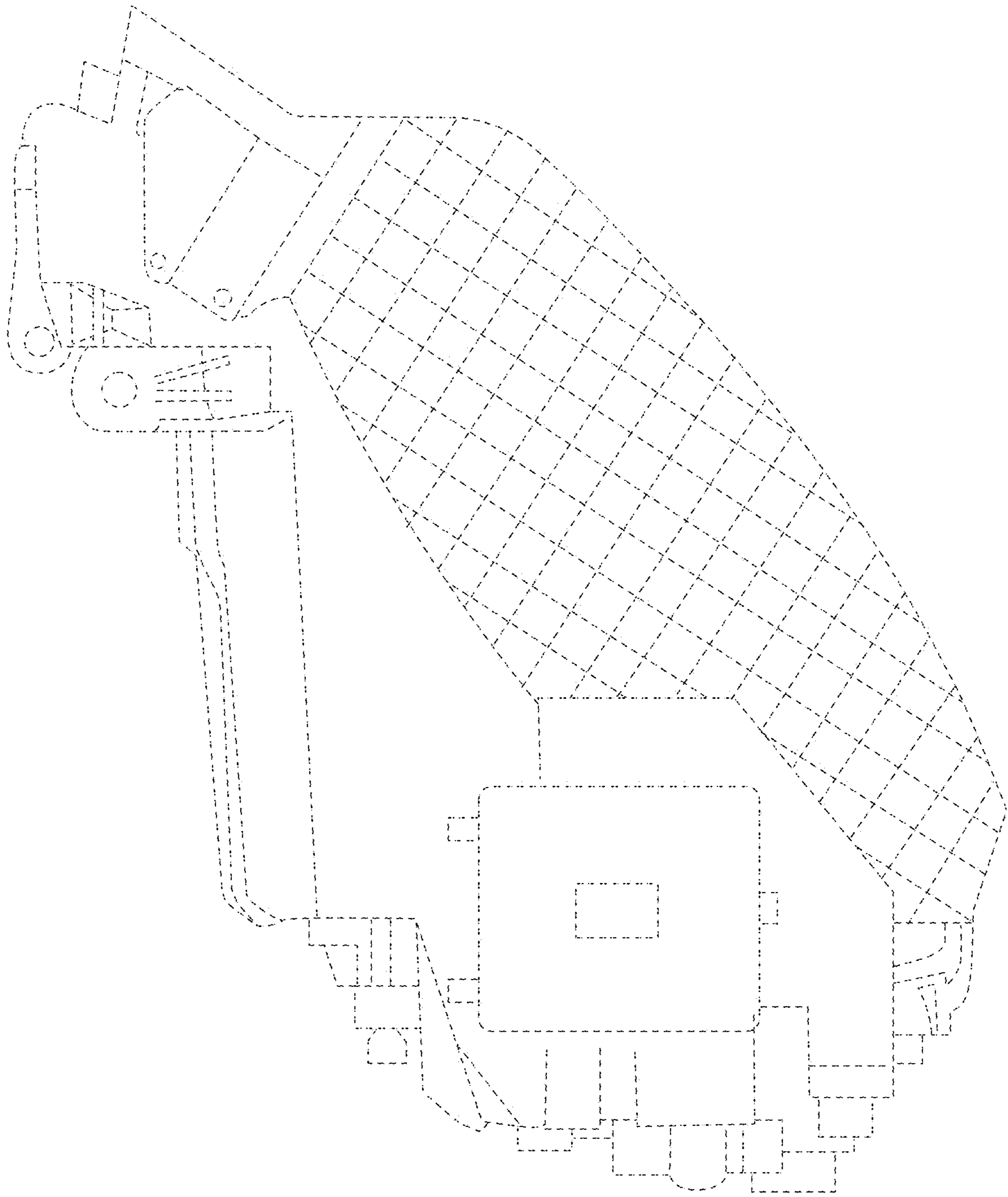


FIG. 6