



US00D960408S

(12) **United States Design Patent** (10) **Patent No.:** **US D960,408 S**  
**Zhang** (45) **Date of Patent:** **\*\* Aug. 9, 2022**

(54) **BOAT LIGHT**  
(71) Applicant: **Fuzhou Chuchuang Yanxuan Trading Co., Ltd., Fujian (CN)**  
(72) Inventor: **Xiankui Zhang, Fujian (CN)**  
(73) Assignee: **Fuzhou Chuchuang Yanxuan Trading Co., Ltd., Fujian (CN)**  
(\*\*) Term: **15 Years**

D583,490 S \* 12/2008 Rogers ..... D26/28  
D678,758 S \* 3/2013 Ross ..... D8/387  
D745,720 S \* 12/2015 Chang ..... D26/28  
D764,084 S 8/2016 Huntley  
D917,751 S 4/2021 Chen

\* cited by examiner

*Primary Examiner* — Marcus A Jackson  
(74) *Attorney, Agent, or Firm* — ScienBiziP, P.C.

(21) Appl. No.: **29/802,367**  
(22) Filed: **Aug. 4, 2021**  
(51) **LOC (13) Cl.** ..... **26-06**  
(52) **U.S. Cl.**  
USPC ..... **D26/28**  
(58) **Field of Classification Search**  
USPC ..... D26/28–36, 139  
CPC ..... F21S 48/00; F21S 48/10; F21S 48/115;  
F21S 48/225; F21S 48/1233; F21S  
48/1266; F21S 48/1388; F21S 48/2268;  
F21V 5/00; F21V 21/04; F21V 29/004;  
B60Q 9/13; B60Q 9/135; B60Q 9/1375;  
F21W 2102/17; F21W 2103/00; F21W  
2103/35; F21W 2103/55; F21W 2107/13;  
F21W 2107/17  
See application file for complete search history.

(57) **CLAIM**

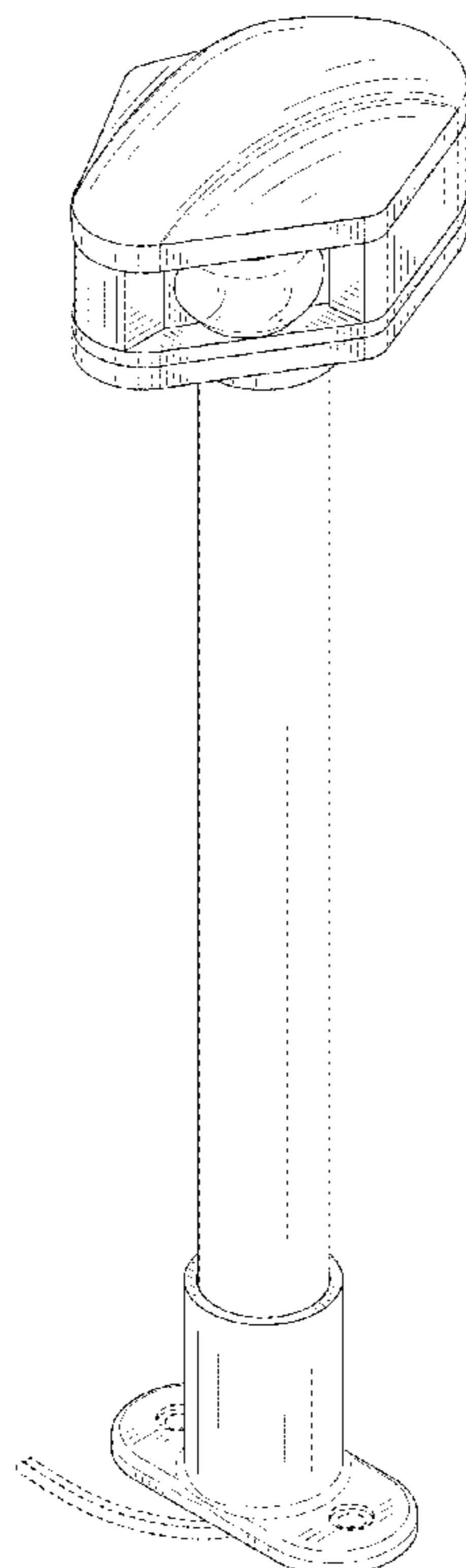
The ornamental design for a boat light, as shown and described.

**DESCRIPTION**

FIG. 1 is a front, right, and top perspective view of a boat light, showing my design.  
FIG. 2 is a rear, left, and bottom perspective view thereof.  
FIG. 3 is a front elevation view thereof.  
FIG. 4 is a rear elevation view thereof.  
FIG. 5 is a left side elevation view thereof.  
FIG. 6 is a right side elevation view thereof.  
FIG. 7 is a top plan view thereof; and,  
FIG. 8 is a bottom plan view thereof.  
The broken lines shown in the drawings are included for the purpose of illustrating portions of the boat light that form no part of the claimed design.

(56) **References Cited**  
U.S. PATENT DOCUMENTS  
D512,790 S \* 12/2005 Handsaker ..... D26/28  
D570,009 S \* 5/2008 Kani ..... D26/28

**1 Claim, 8 Drawing Sheets**



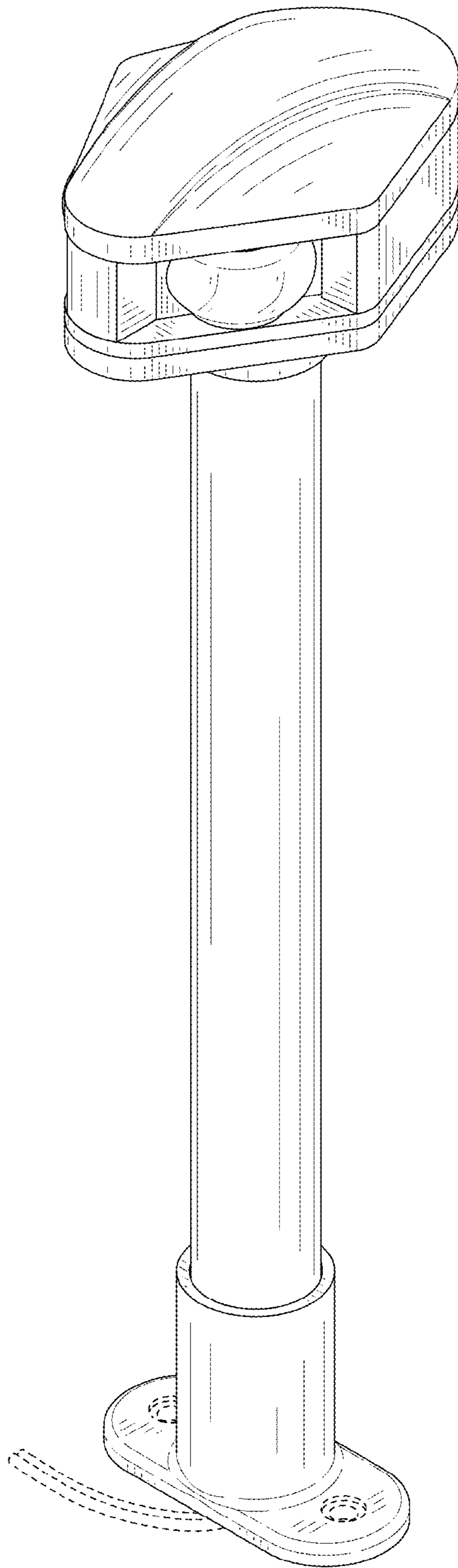


FIG. 1

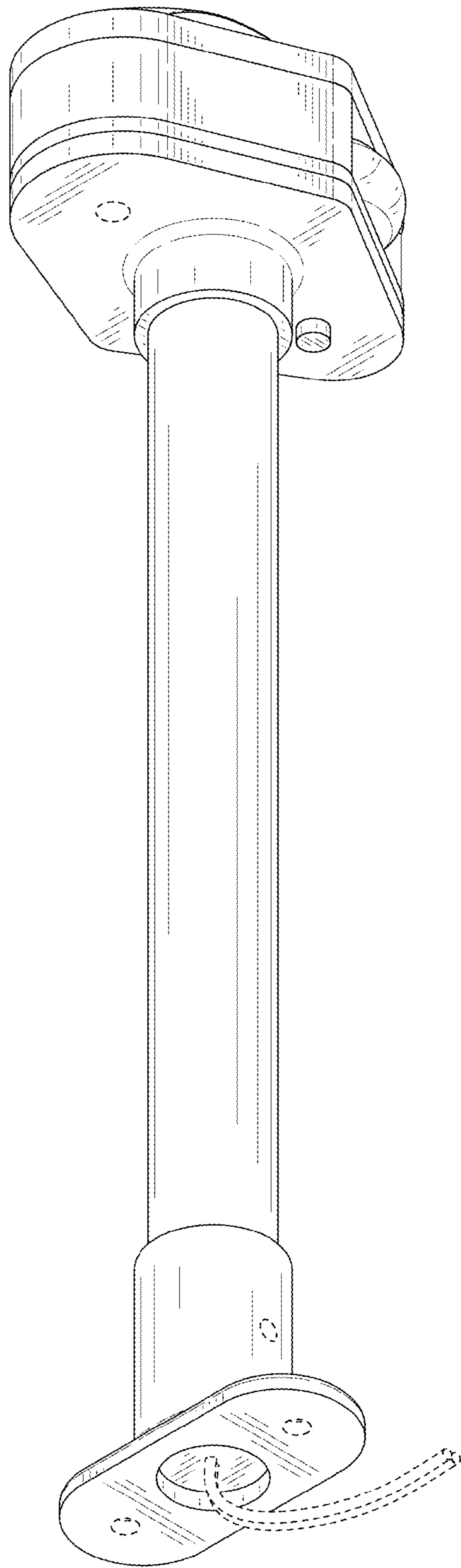


FIG. 2

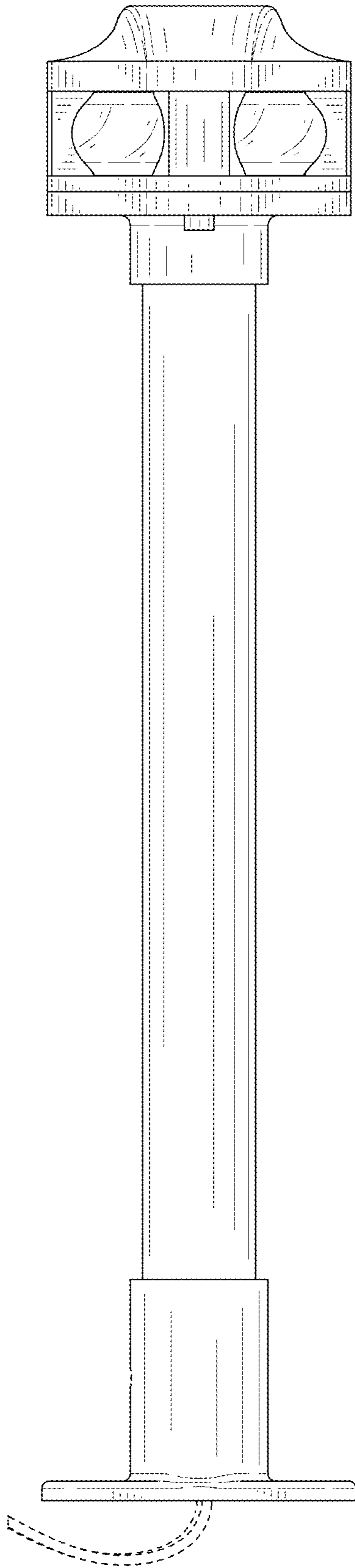


FIG. 3

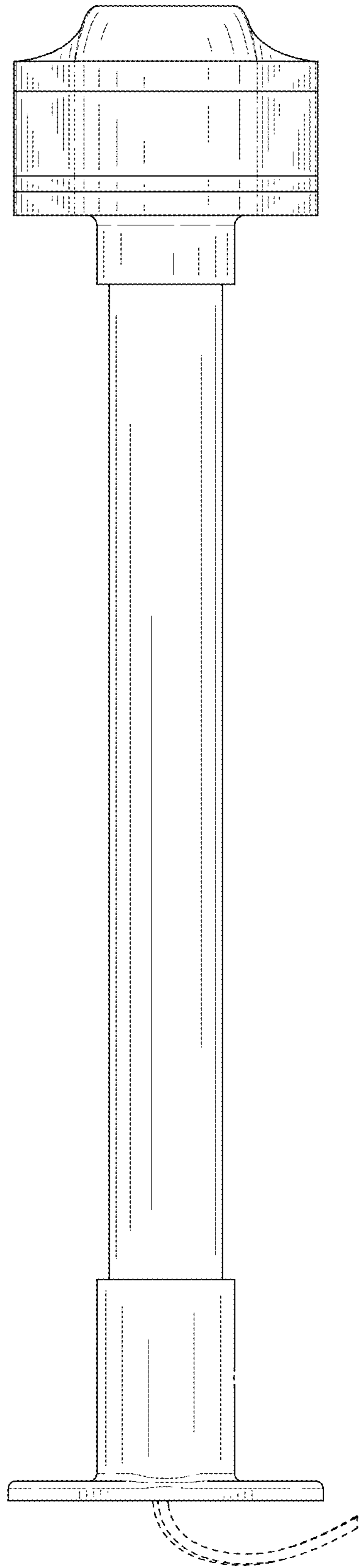


FIG. 4

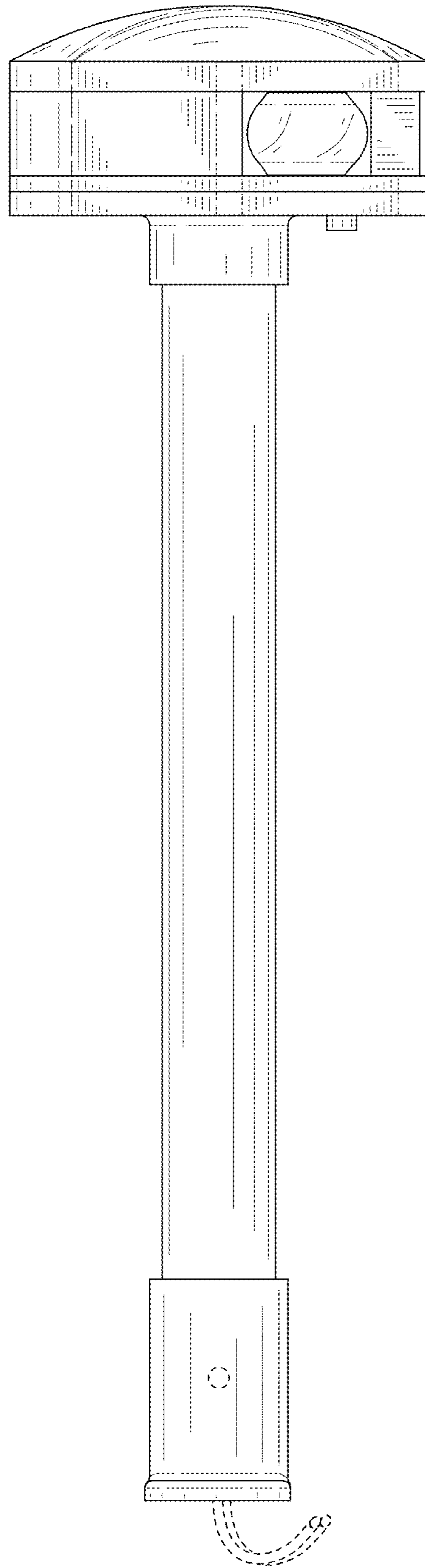


FIG. 5

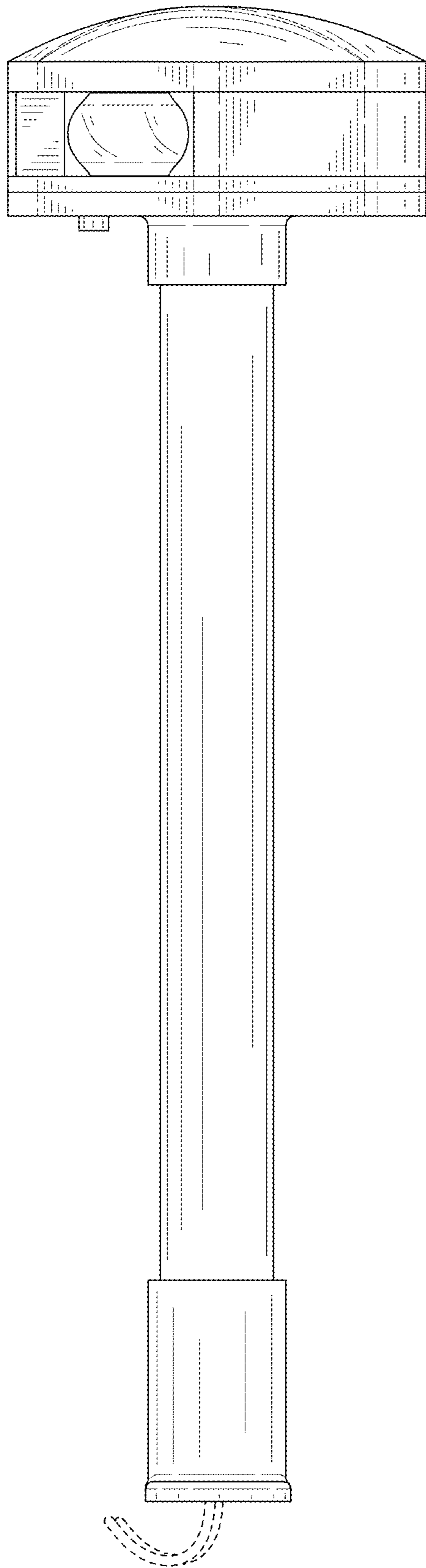


FIG. 6

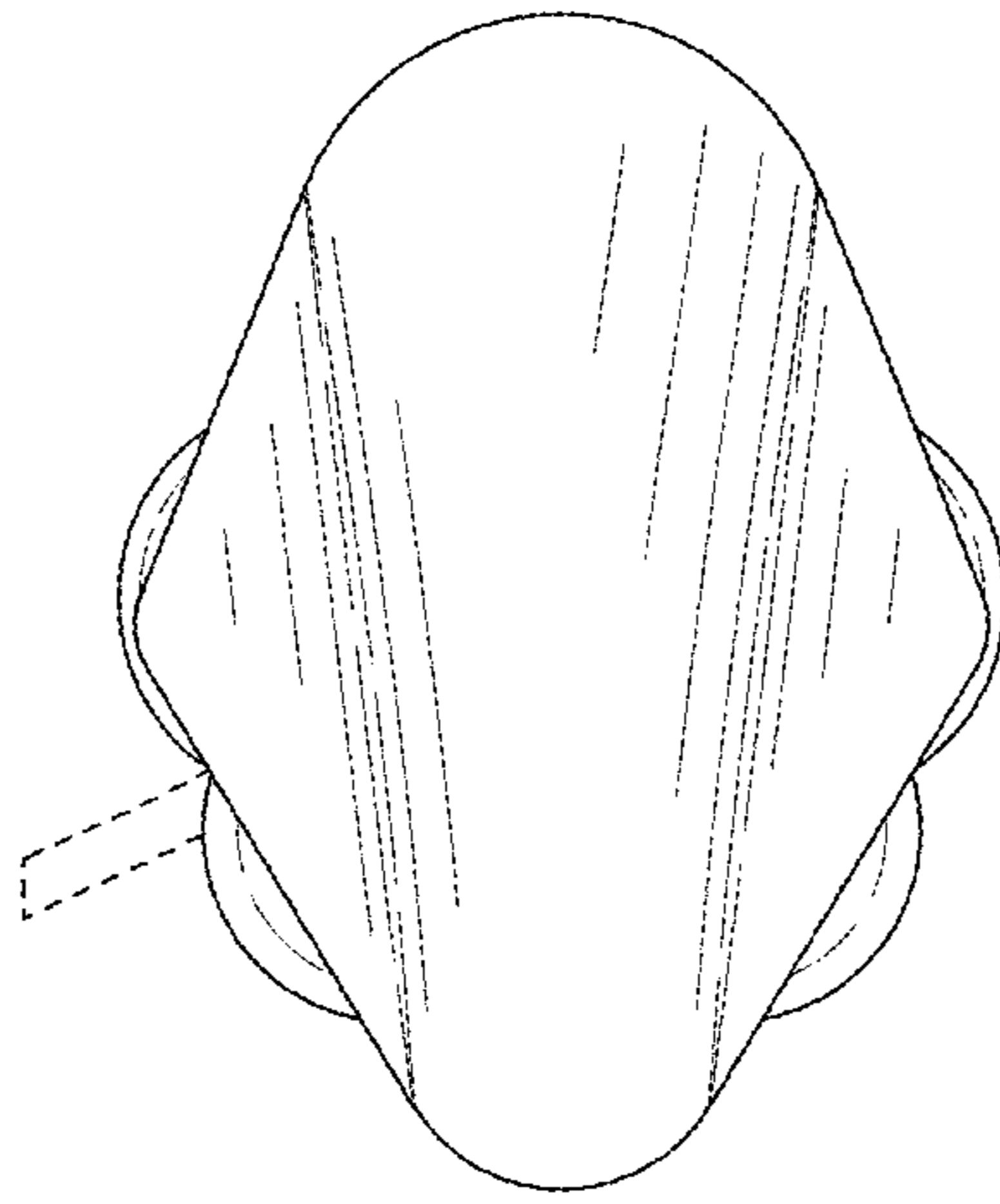


FIG. 7



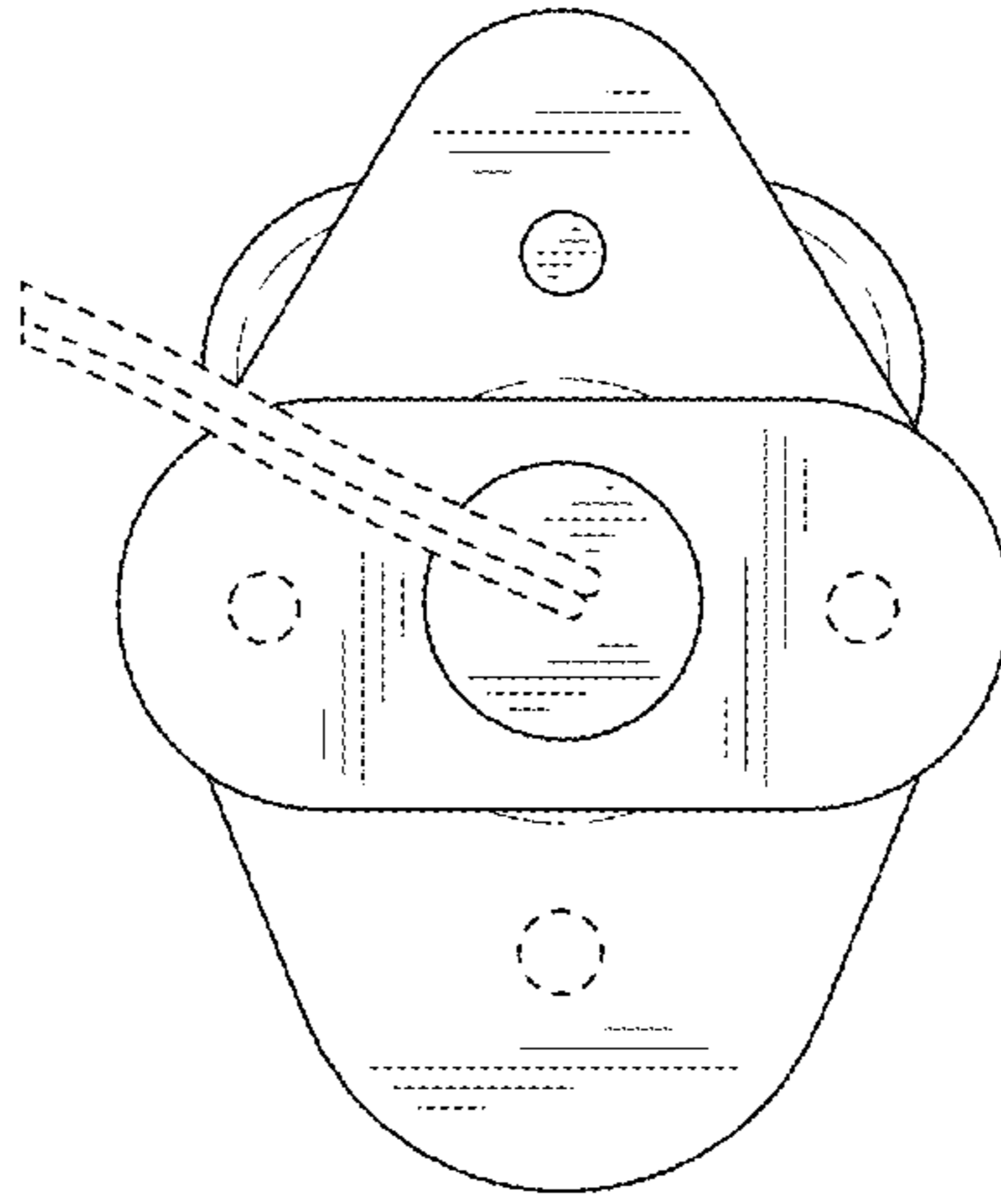


FIG. 8