

US00D960402S

(12) **United States Design Patent**
Lin

(10) **Patent No.: US D960,402 S**

(45) **Date of Patent: ** Aug. 9, 2022**

(54) **STRING LIGHT**

FOREIGN PATENT DOCUMENTS

(71) Applicant: **Shenzhen Kaijier Technology Co., Ltd**, Shenzhen (CN)

CN 306768616 * 8/2021

(72) Inventor: **Shuxian Lin**, Shenzhen (CN)

OTHER PUBLICATIONS

(**) Term: **15 Years**

Lighting EVER LE Stringa luminosa, Sep. 29, 2016, Amazon.it, site visited Jan. 25, 2022, url: <https://www.amazon.it/dp/B01LYCD5XE> (Year: 2016).*

(21) Appl. No.: **29/777,025**

(Continued)

(22) Filed: **Apr. 2, 2021**

Primary Examiner — T Chase Nelson

(51) **LOC (13) Cl.** **26-04**

Assistant Examiner — Rachel Wolfe

(52) **U.S. Cl.**

USPC **D26/25**

(58) **Field of Classification Search**

USPC D26/1, 24, 25, 27, 37, 39, 113, 118

CPC F21S 2/00; F21S 4/00; F21S 4/10; F21S

4/15; F21S 4/20; F21K 9/00; F21W

2121/00; F21W 2121/04; A44C 15/0015;

A01G 5/04

See application file for complete search history.

(56) **References Cited**

U.S. PATENT DOCUMENTS

D351,915 S	*	10/1994	Hermanson	D26/25
D547,887 S		7/2007	Titmarsh		
D565,209 S		3/2008	Van Dyn Hoven		
D624,672 S		9/2010	Chien		
D874,692 S	*	2/2020	Dai	D26/25
D880,022 S	*	3/2020	Gong	D26/25
D910,216 S	*	2/2021	Liu	D26/25
D914,253 S	*	3/2021	Kuang	D26/25
D915,643 S	*	4/2021	Liang	D26/25
D917,741 S	*	4/2021	Kuang	D26/25
D919,131 S	*	5/2021	Yang	D26/25
D919,132 S	*	5/2021	Du	D26/25
D924,448 S	*	7/2021	Zhou	D26/21
D924,449 S	*	7/2021	Zhang	D26/25
D928,727 S	*	8/2021	Chen	D13/162
D935,647 S	*	11/2021	Zhang	D26/25
D936,254 S	*	11/2021	Gu	D26/25

(Continued)

(57) **CLAIM**

The ornamental design for a string light, as shown and described.

DESCRIPTION

FIG. 1 is a perspective view of a string light showing my new design;

FIG. 2 is a front view thereof;

FIG. 3 is a back view thereof;

FIG. 4 is a left side view thereof;

FIG. 5 is a right side view thereof;

FIG. 6 is a top view thereof;

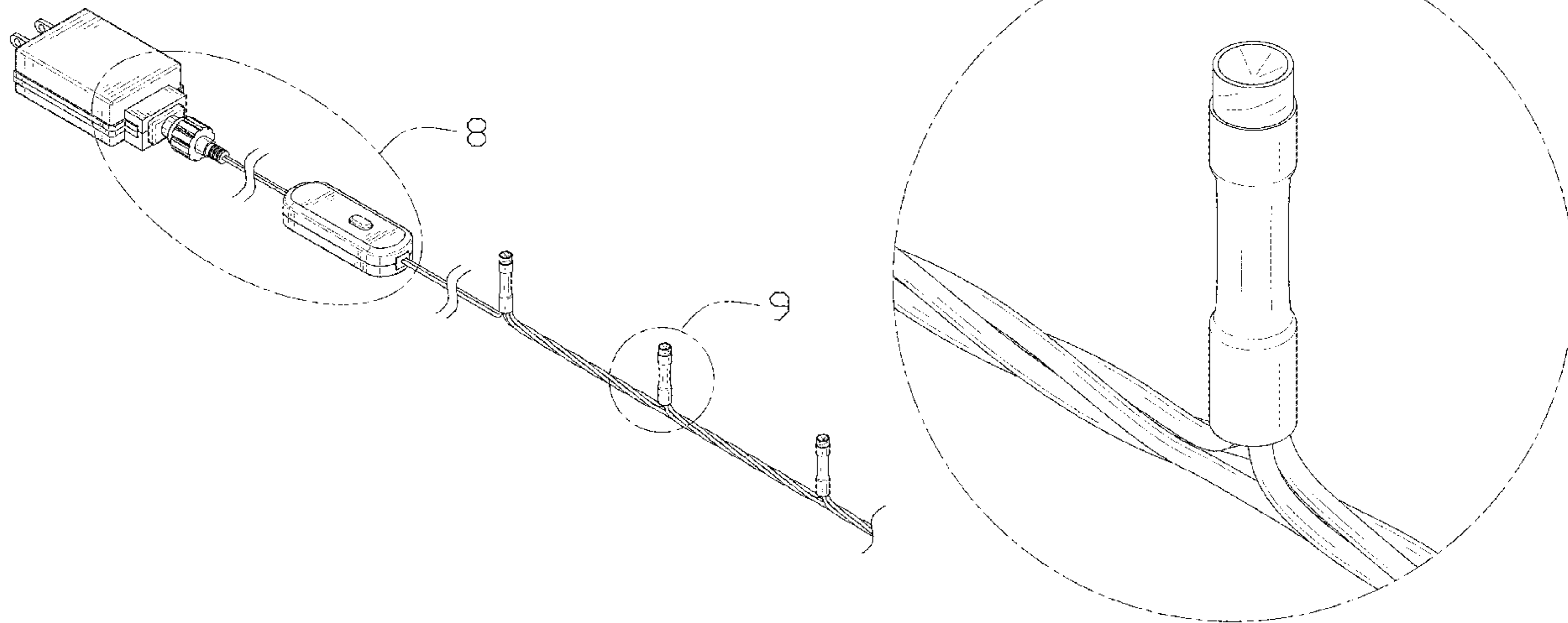
FIG. 7 is a bottom view thereof;

FIG. 8 is an enlarged view of the selected portion 8 in FIG. 1; and,

FIG. 9 is an enlarged view of the selected portion 9 in FIG. 1.

The broken lines shown in the drawing are for the purpose of illustrating the boundaries of the enlarged fragments shown in FIGS. 8 and 9 and form no part of the claimed design. The string light is shown with symbolic breaks in its length and the appearance of any portion of the string light between the pairs of break lines, or beyond the single break line, form no part of the claimed design.

1 Claim, 9 Drawing Sheets



(56)

References Cited

U.S. PATENT DOCUMENTS

D937,449	S	*	11/2021	Quan	D26/25
D938,614	S	*	12/2021	Qu	D25/25
D938,628	S	*	12/2021	Qu	D26/25
D940,358	S	*	1/2022	Xiong	D26/25
D940,921	S	*	1/2022	Yin	D26/25
D941,507	S	*	1/2022	Du	D26/25
2007/0279920	A1	*	12/2007	Lin	F21S 4/10 362/362
2010/0108863	A1	*	5/2010	Yang	H05B 47/11 250/214 AL
2015/0077998	A1	*	3/2015	Zhang	F21V 23/023 362/249.04
2015/0159844	A1	*	6/2015	Flaherty	F21V 23/023 362/231
2016/0081508	A1	*	3/2016	Wong	F21S 4/20 362/123
2021/0140623	A1	*	5/2021	Yu	F21V 19/005

OTHER PUBLICATIONS

Lyhope Christmas Lights, Aug. 3, 2018, Amazon.com, site visited Jan. 25, 2022, url: <https://www.amazon.com/dp/B07G5C1TL6> (Year: 2018).*

Nobent Led Fairy String Lights, site visited Jan. 25, 2022, Alibaba.com, url: https://www.alibaba.com/product-detail/Nobent-LED-Fairy-String-Lights-10M_1600175540522.html (Year: 2022).*

* cited by examiner

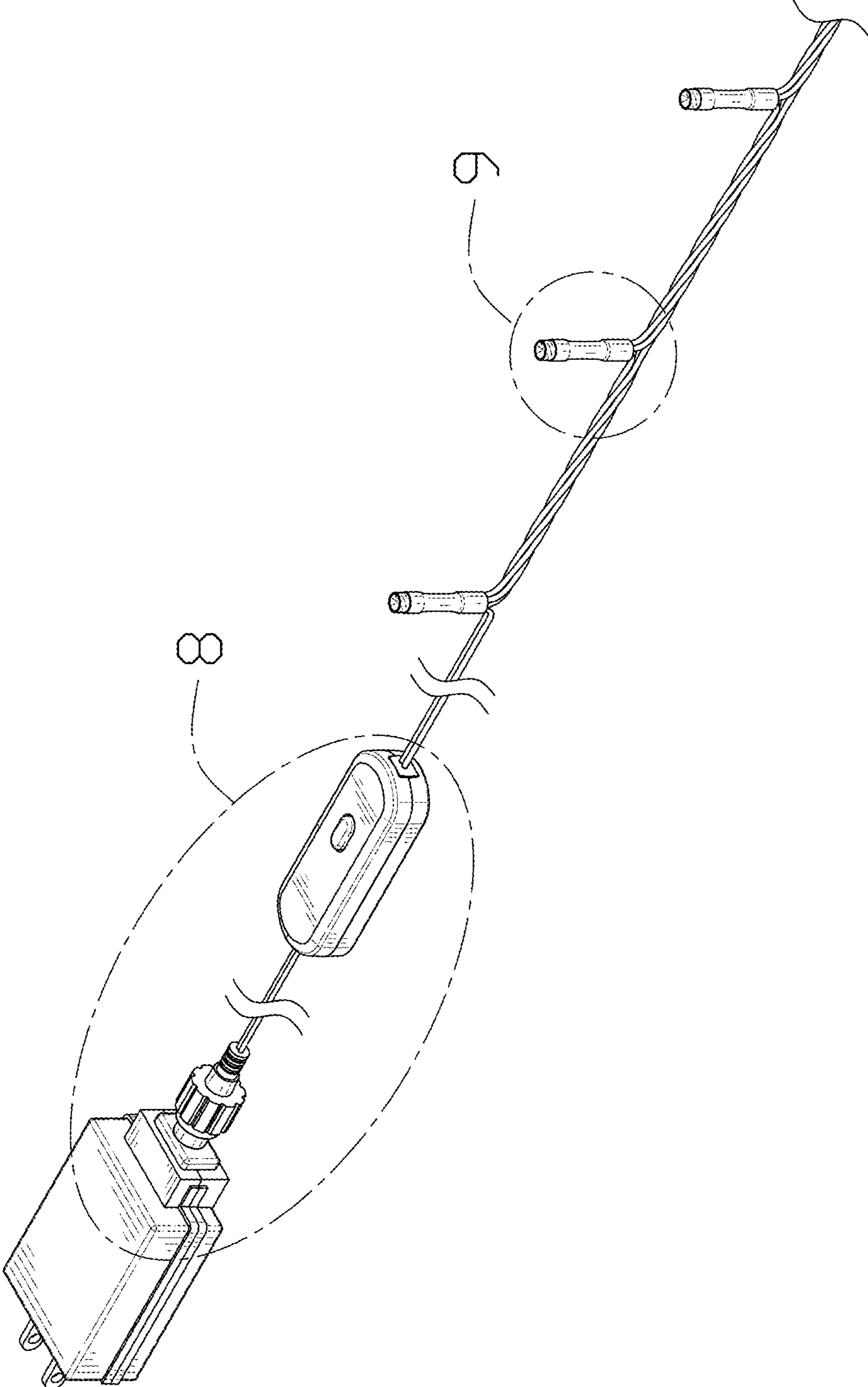


FIG. 1

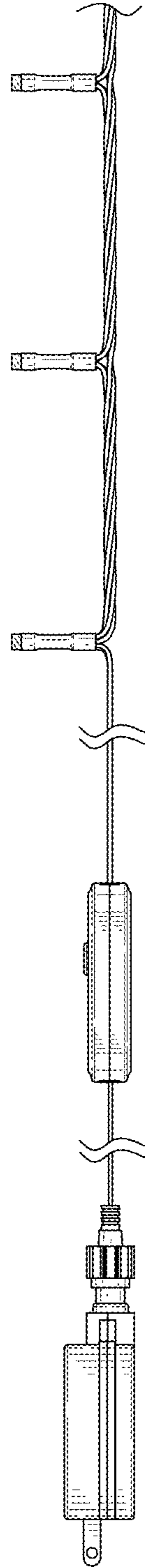


FIG. 2

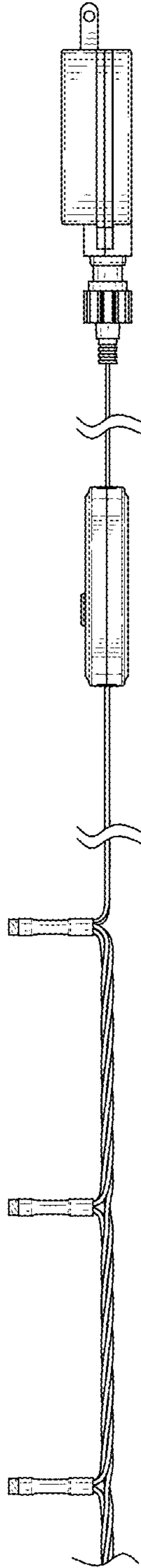


FIG. 3

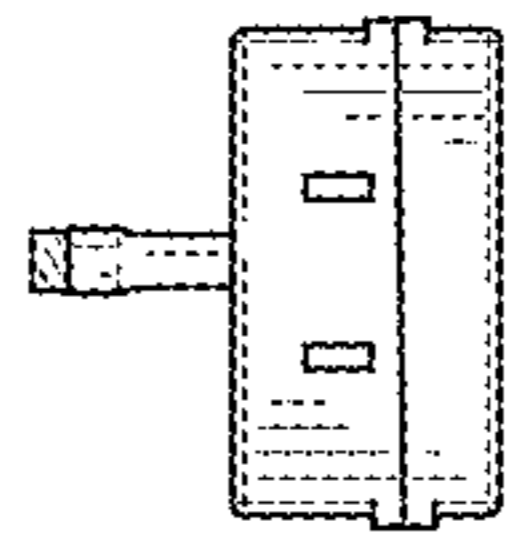


FIG. 4

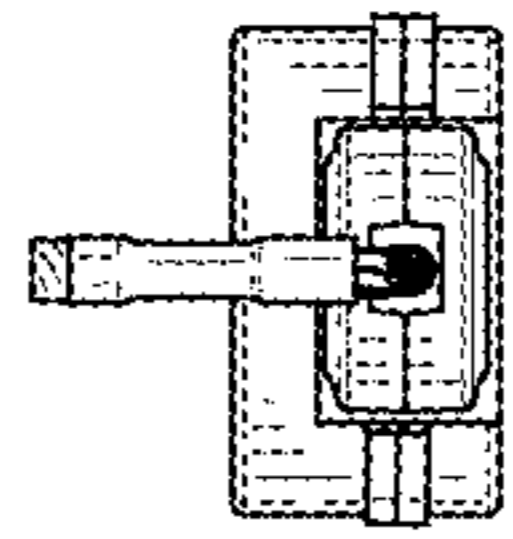


FIG. 5

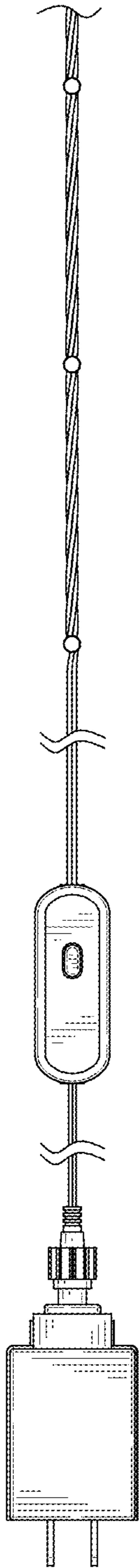


FIG. 6

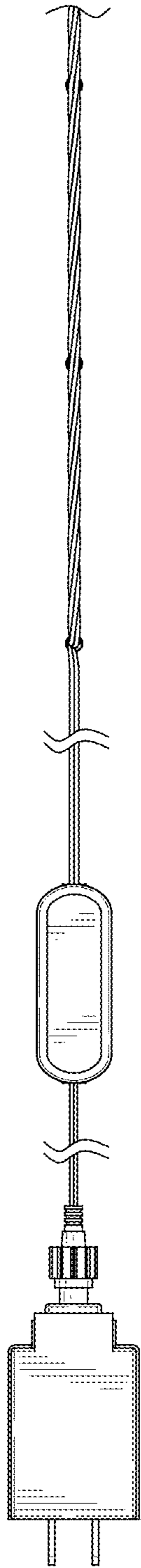


FIG. 7

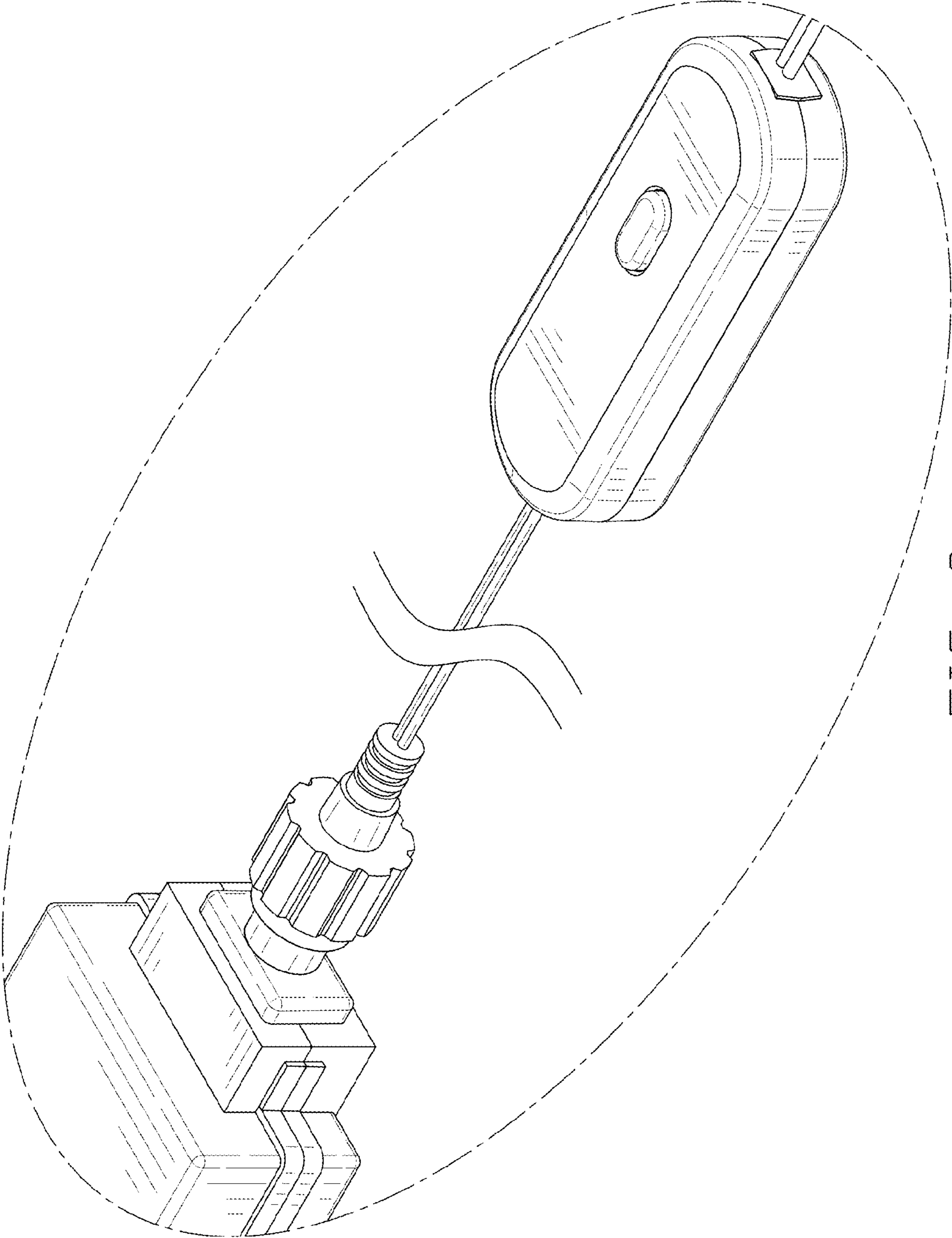


FIG. 8

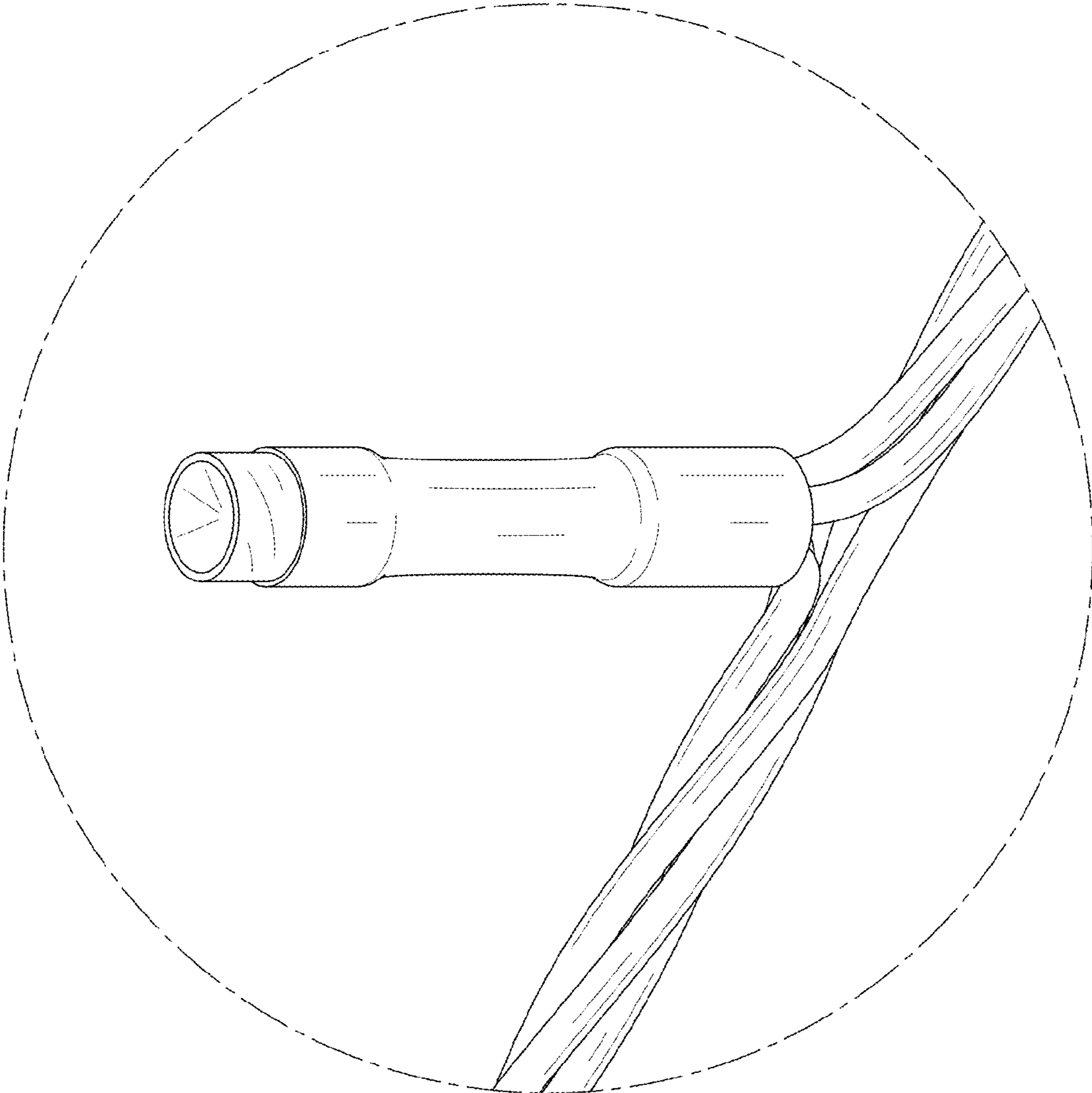


FIG. 9