



US00D960392S

(12) **United States Design Patent** (10) **Patent No.:** **US D960,392 S**
Yavuz (45) **Date of Patent:** **** Aug. 9, 2022**

(54) **WINDOW WALL SYSTEM FRAME PROFILE**

(71) Applicant: **ASAS ALÜMİNYUM SANAYİ VE
TİCARET ANONİM ŞİRKETİ,**
Istanbul (TR)

(72) Inventor: **Safa Bayar Yavuz,** Istanbul (TR)

(**) Term: **15 Years**

(21) Appl. No.: **35/511,159**

(22) Filed: **Dec. 29, 2020**

(80) **Hague Agreement Data**

Int. Filing Date: **Dec. 29, 2020**

Int. Reg. No.: **DM/212068**

Int. Reg. Date: **Dec. 29, 2020**

Int. Reg. Pub. Date: **Jan. 15, 2021**

(51) **LOC (13) Cl.** **25-02**

(52) **U.S. Cl.**

USPC **D25/60; D25/124**

(58) **Field of Classification Search**

USPC D8/352, 376, 393-396; D11/3, 4, 214,
D11/215; D25/107, 108, 119, 120, 121,
D25/122, 124, 126, 129, 132, 133, 150,
D25/187

CPC ... A01G 17/08; Y10T 24/44; Y10T 24/44248;
Y10T 24/44983; E04C 2003/046; E04C
2003/0047; E04C 2003/0434; E04F
19/022; E04F 19/026; E04F 19/028; E04F
19/04; E04F 19/06; E04F 19/062; E04F
19/063; E04F 19/064; E04F 19/065;
H02S 20/00

See application file for complete search history.

(56) **References Cited**

U.S. PATENT DOCUMENTS

D194,585 S * 2/1963 Waring D25/60
D225,319 S * 12/1972 Dailaire D25/60

D379,299 S * 5/1997 Fitzgibbons D25/119
D398,708 S * 9/1998 Opielski D25/119
D402,062 S * 12/1998 Leonelli D25/125
D425,215 S * 5/2000 Ginzel D25/119
D449,699 S * 10/2001 Gabriele D25/124
D590,964 S * 4/2009 Campbell D25/124
D592,764 S * 5/2009 Campbell D25/124
D594,571 S * 6/2009 Campbell D25/124
D597,220 S * 7/2009 Campbell D25/124
D615,666 S * 5/2010 Stephens D25/60
D619,729 S * 7/2010 Bernier D25/60
D714,469 S * 9/2014 Sferco D25/126
D727,534 S * 4/2015 Campbell D25/124
D732,203 S * 6/2015 Campbell D25/124
D732,706 S * 6/2015 Campbell D25/124
D732,707 S * 6/2015 Campbell D25/124
D735,894 S * 8/2015 Campbell D25/124
D739,562 S * 9/2015 Campbell D25/124
D742,544 S * 11/2015 Singh D25/119
D760,523 S * 7/2016 Bonuccelli D6/709
D760,524 S * 7/2016 Bonuccelli D6/709
D780,942 S * 3/2017 Krause E04B 1/7629
D25/119
D837,409 S * 1/2019 Troutt D25/60
D847,381 S * 4/2019 Ksiezopolski D25/119
D851,786 S * 6/2019 Ksiezopolski D25/119
D901,722 S * 11/2020 Helms D25/119
2015/0368955 A1 * 12/2015 Zohar B29C 48/12
52/204.5
2020/0102782 A1 * 4/2020 Ortuzar E06B 3/20

* cited by examiner

Primary Examiner — Richard Kearney

(74) *Attorney, Agent, or Firm* — Egbert, McDaniel &
Swartz, PLLC

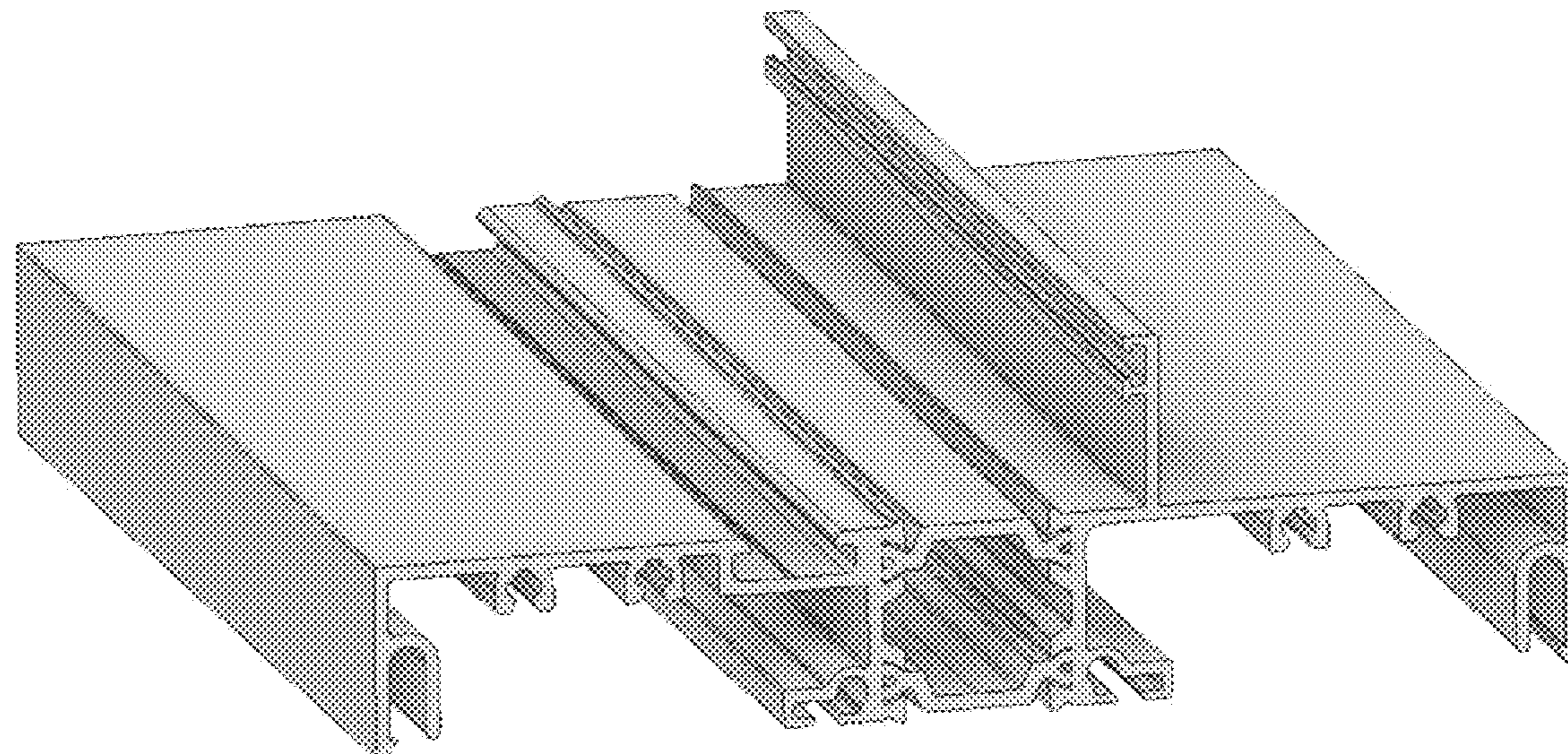
(57) **CLAIM**

The ornamental design for a window wall system frame
profile, as shown and described.

DESCRIPTION

7.0 : Perspective

1 Claim, 1 Drawing Sheet



7

