

US00D960391S

(12) **United States Design Patent** (10) **Patent No.:** **US D960,391 S**  
**Franta et al.** (45) **Date of Patent:** **\*\* Aug. 9, 2022**

(54) **DRIVE THRU BOOTH**

FOREIGN PATENT DOCUMENTS

(71) Applicant: **Canvas Craft, Inc.**, Ostego, MN (US)

CN 201530215873 \* 11/2015  
CN 201630649004 \* 5/2017

(72) Inventors: **Matthew J. Franta**, Maple Grove, MN (US); **Benjamin J. Braun**, Minnetonka, MN (US); **Kevin R. Tutchenhagen**, Buffalo, MN (US); **Brandon J. Grabrick**, Ramsey, MN (US); **Eric E. Furan**, Zimmerman, MN (US)

(Continued)

OTHER PUBLICATIONS

Guardhouse, available in parkut.com, announced Year 2002 [online], [site visited Mar. 7, 2022], Internet URL: <https://www.parkut.com/galleries/qs-003/> (Year: 2002).\*

(Continued)

(73) Assignee: **Canvas Craft, Inc.**, Ostego, MN (US)

*Primary Examiner* — Brett Miller

(\*\*) Term: **15 Years**

*Assistant Examiner* — Jasmine L. Comedy

(21) Appl. No.: **29/757,585**

(74) *Attorney, Agent, or Firm* — Patterson Thuent Pedersen, P.A.

(22) Filed: **Nov. 6, 2020**

(57) **CLAIM**

(51) **LOC (13) Cl.** ..... **25-03**

We claim the ornamental design for a drive thru booth, as shown and described.

(52) **U.S. Cl.**

**DESCRIPTION**

USPC ..... **D25/16**

(58) **Field of Classification Search**

USPC ..... D25/1-35; D6/332, 337, 640-644

CPC ..... E04H 1/125; E04H 1/14; E04B 1/34321

See application file for complete search history.

FIG. 1 is a front perspective view of a drive thru booth.

FIG. 2 is a front elevational view of the drive thru booth depicted in FIG. 1.

FIG. 3 is a rear elevational view of the drive thru booth depicted in FIG. 1.

FIG. 4 is a left side elevational view of the drive thru booth depicted in FIG. 1.

FIG. 5 is a right side elevational view of the drive thru booth depicted in FIG. 1.

FIG. 6 is a top plan view of the drive thru booth depicted in FIG. 1.

FIG. 7 is a bottom plan view of the drive thru booth depicted in FIG. 1; and,

FIG. 8 is a rear perspective view of the drive thru booth depicted in FIG. 1.

The broken lines in the drawings illustrate portions of the drive thru booth that form no part of the claimed design.

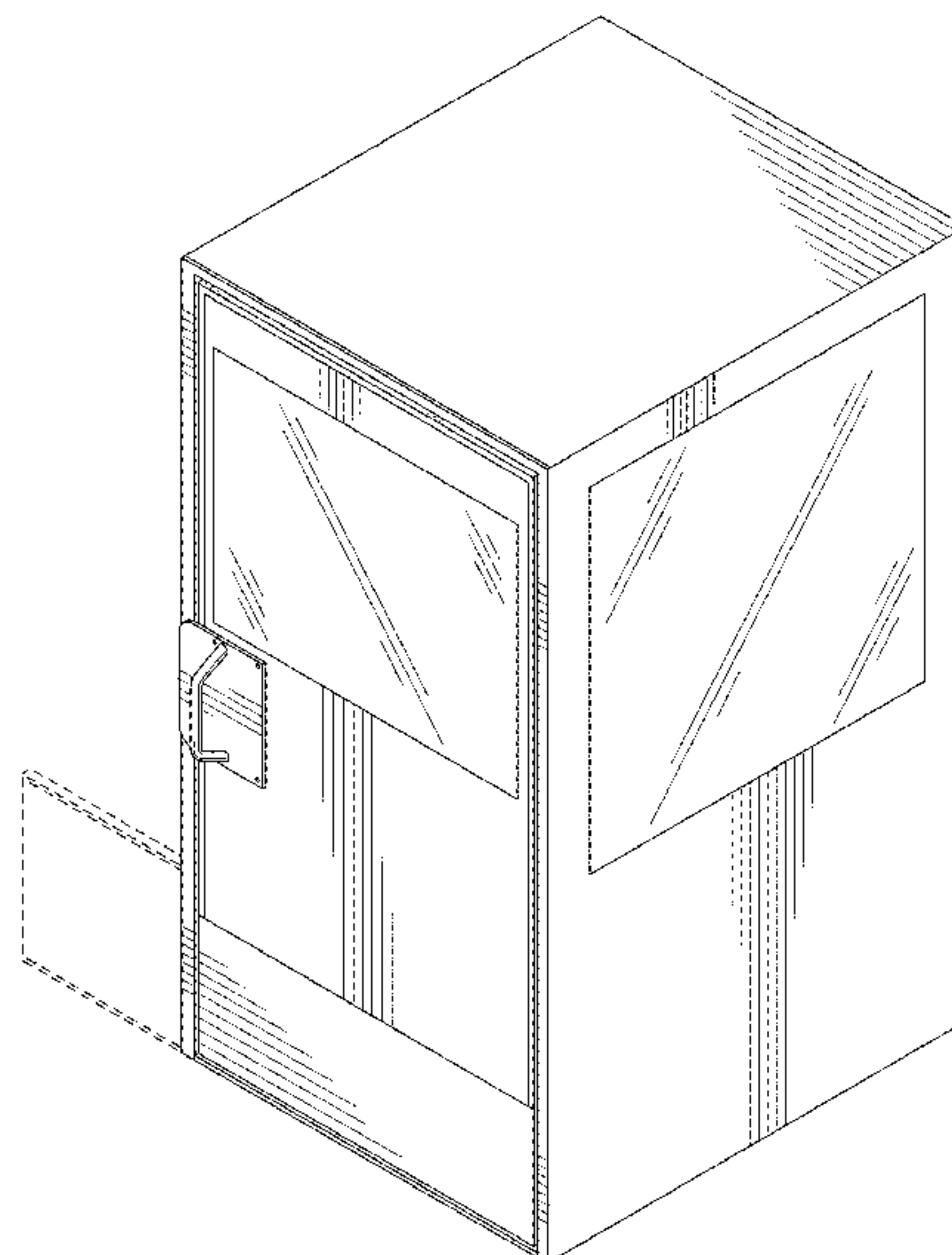
(56) **References Cited**

U.S. PATENT DOCUMENTS

1,857,913	A	*	5/1932	Judelson	.....	E04H 1/14
						D25/16
D241,333	S	*	9/1976	Wheeler	.....	D25/16
4,704,827	A	*	11/1987	Murphy	.....	E04H 1/1222
						D25/1
5,533,305	A	*	7/1996	Bielecki	.....	E04H 1/1277
						55/482
D732,692	S	*	6/2015	Hallfors	.....	D25/16
D742,030	S	*	10/2015	Magiera	.....	D25/33
D844,168	S	*	3/2019	Zhu	.....	D25/16
D844,812	S	*	4/2019	Zhu	.....	D25/16
D844,814	S	*	4/2019	Zhu	.....	D25/16

(Continued)

**1 Claim, 8 Drawing Sheets**



(56)

**References Cited**

U.S. PATENT DOCUMENTS

D844,815 S \* 4/2019 Zhu ..... D25/16  
D844,816 S \* 4/2019 Zhu ..... D25/16  
D846,147 S \* 4/2019 Zhu ..... D25/16  
D846,757 S \* 4/2019 Zhu ..... D25/16  
D856,529 S \* 8/2019 Mikolajczyk ..... D25/16  
D880,000 S \* 3/2020 Albarran ..... D25/16  
D912,836 S \* 3/2021 Munro ..... D24/203  
D921,924 S \* 6/2021 Ko ..... D25/16  
2017/0238528 A1\* 8/2017 Wilson ..... A01M 31/025

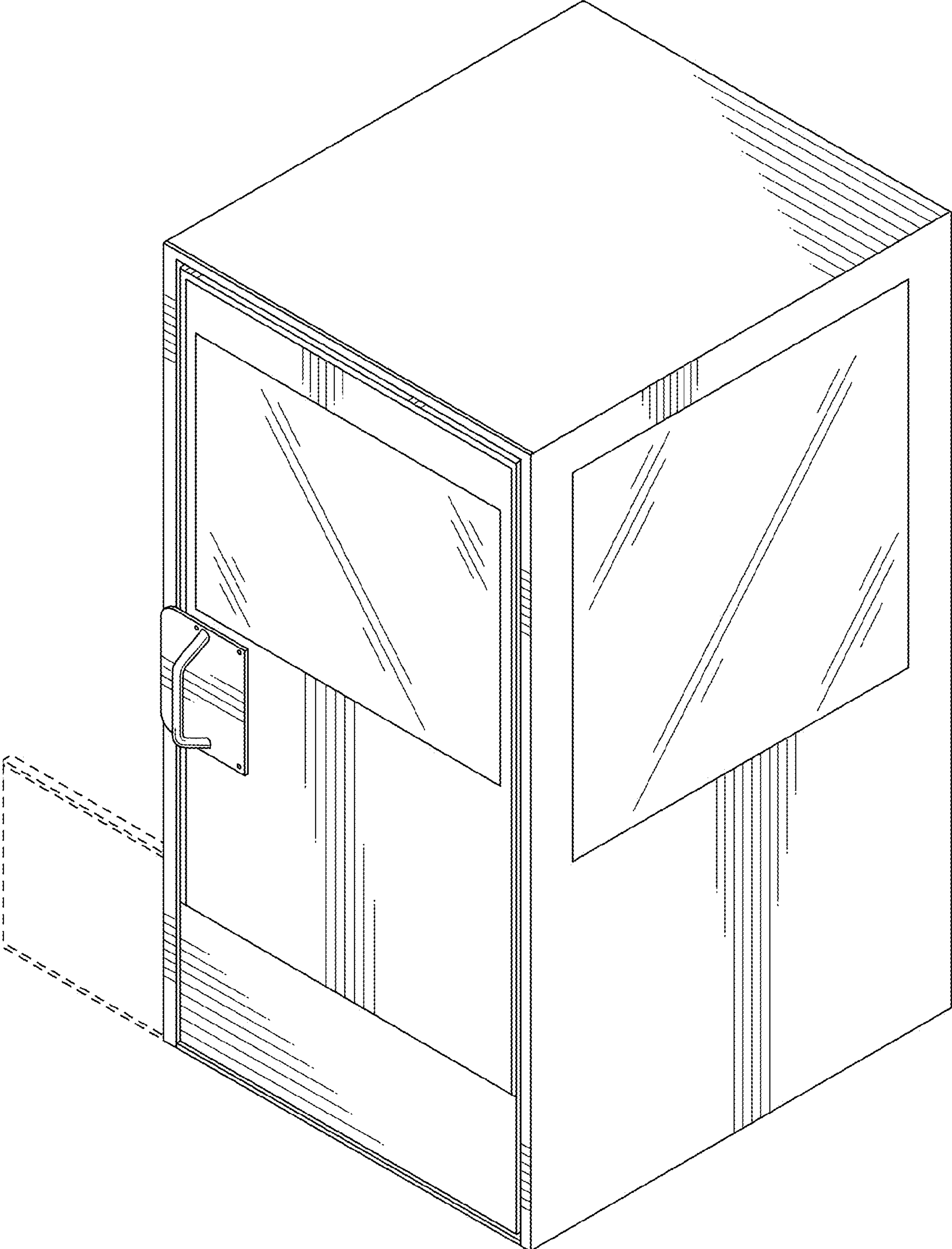
FOREIGN PATENT DOCUMENTS

KR 3020160014205 \* 8/2016  
KR 3020160024858 \* 8/2016  
KR 3020160034963 \* 9/2016

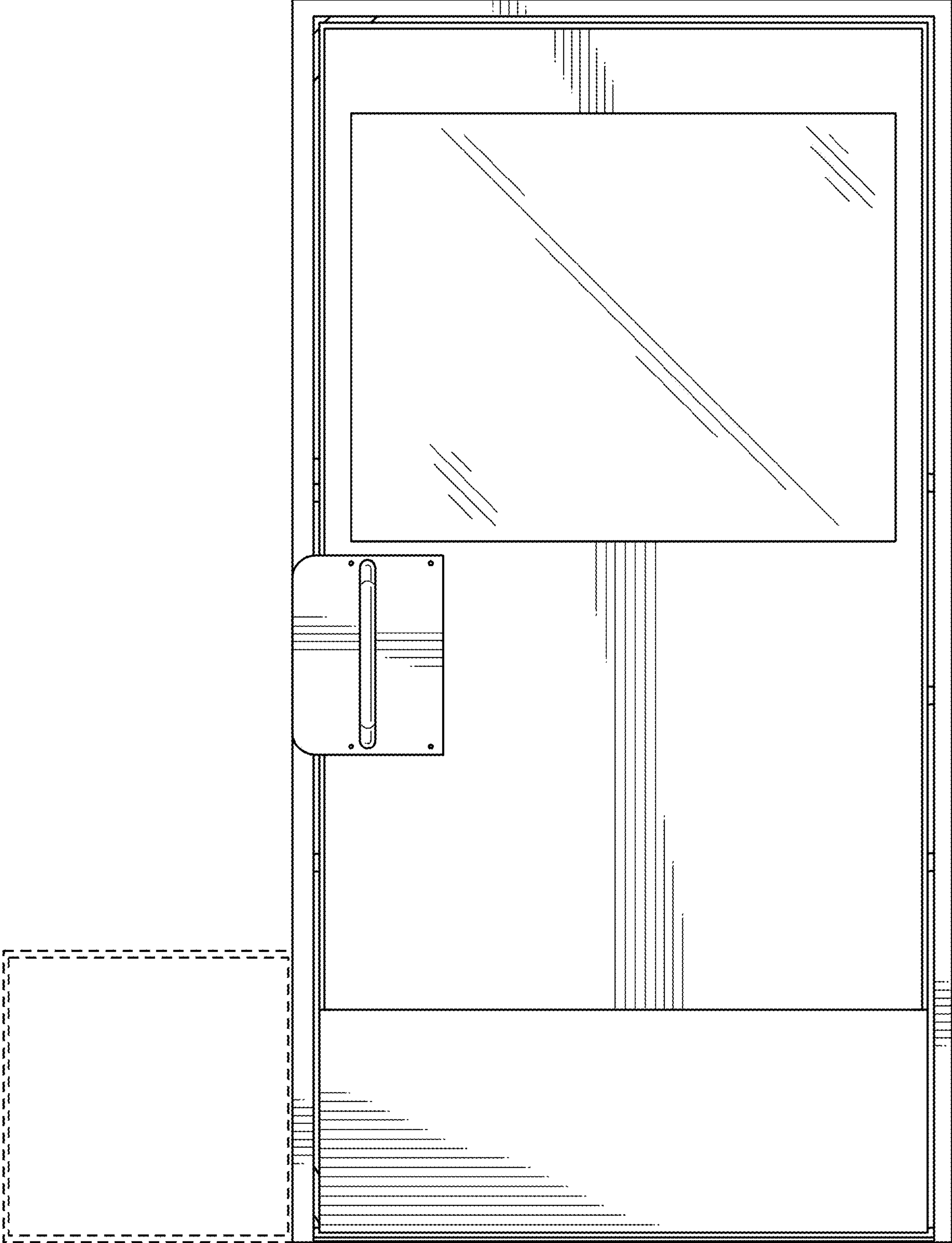
OTHER PUBLICATIONS

Prefabricated Toll Booth, announced in YouTube on Jan. 4, 2017  
[online], [site visited Mar. 7, 2022], Available from the internet  
URL: <https://www.youtube.com/watch?v=PiKhslmcY5U> (Year: 2017).\*

\* cited by examiner

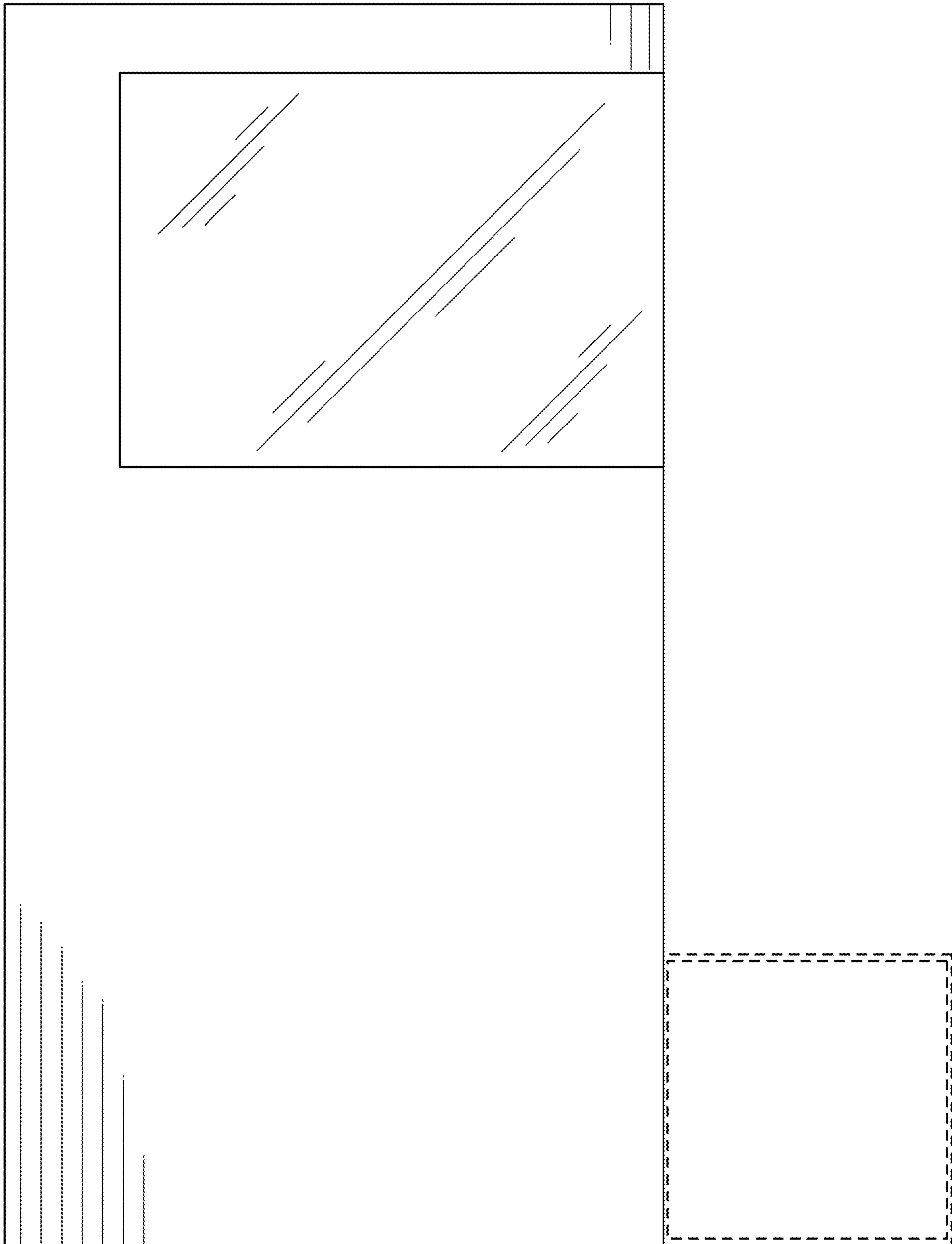


**FIG. 1**

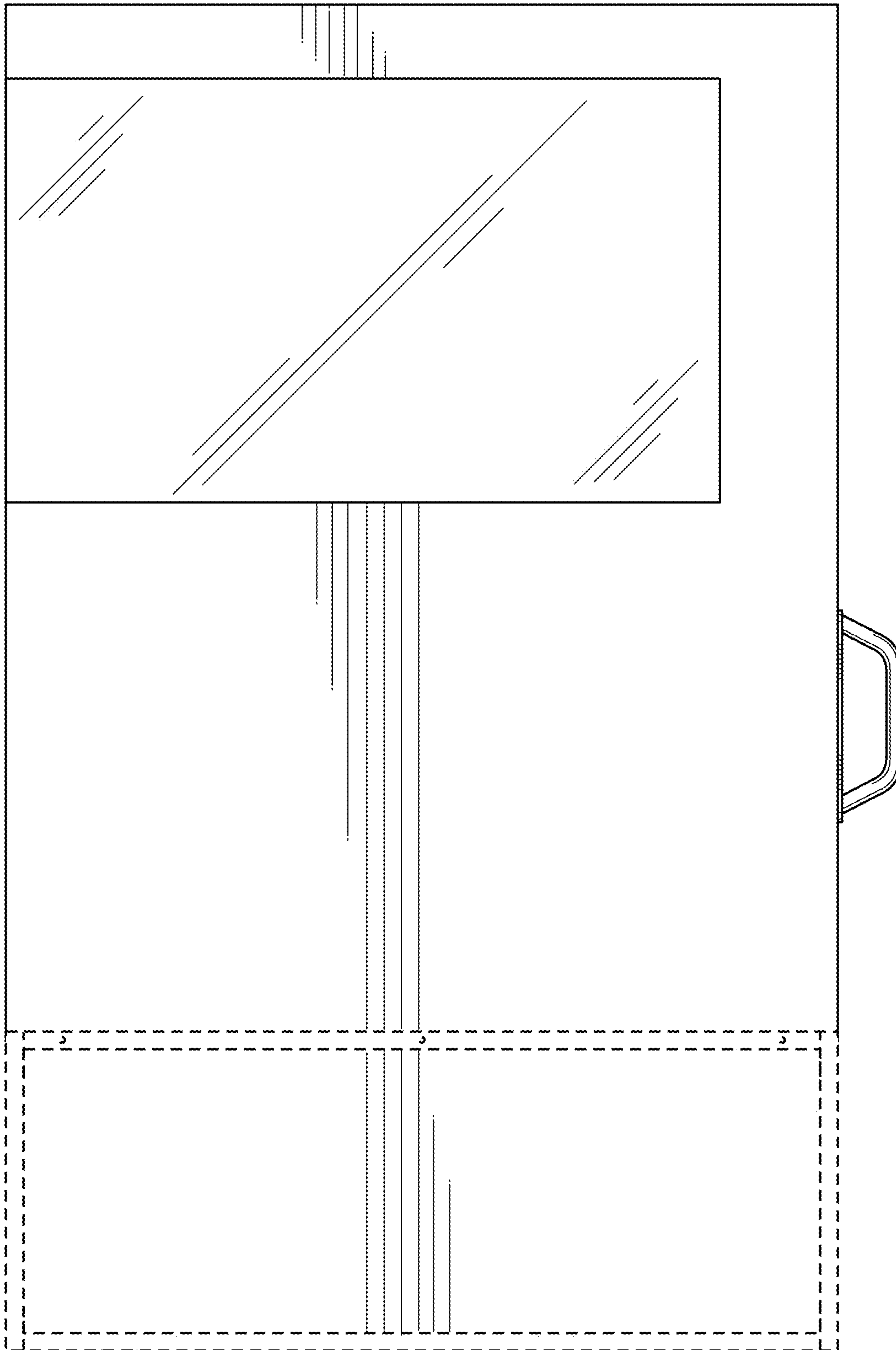


**FIG. 2**

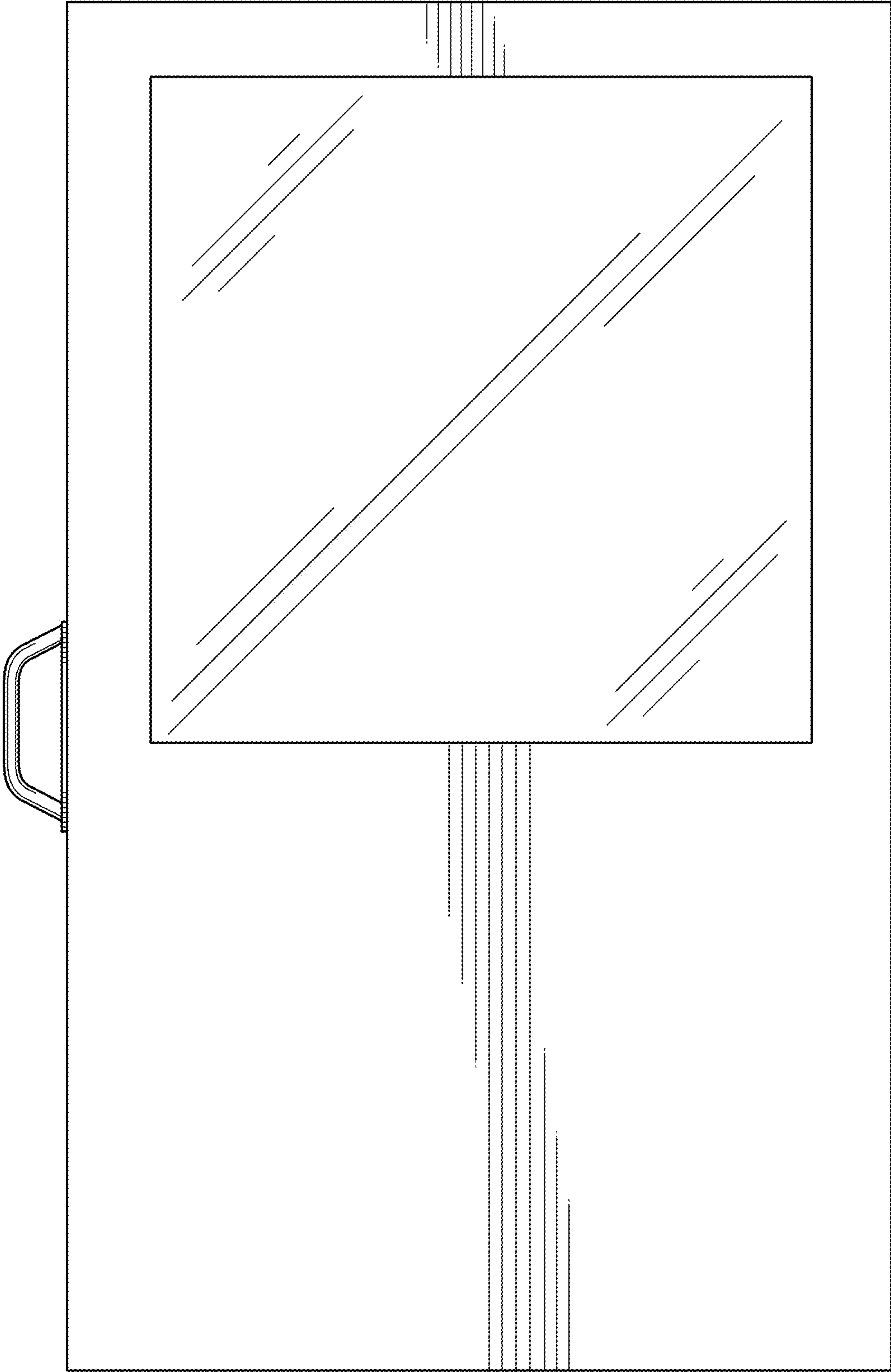




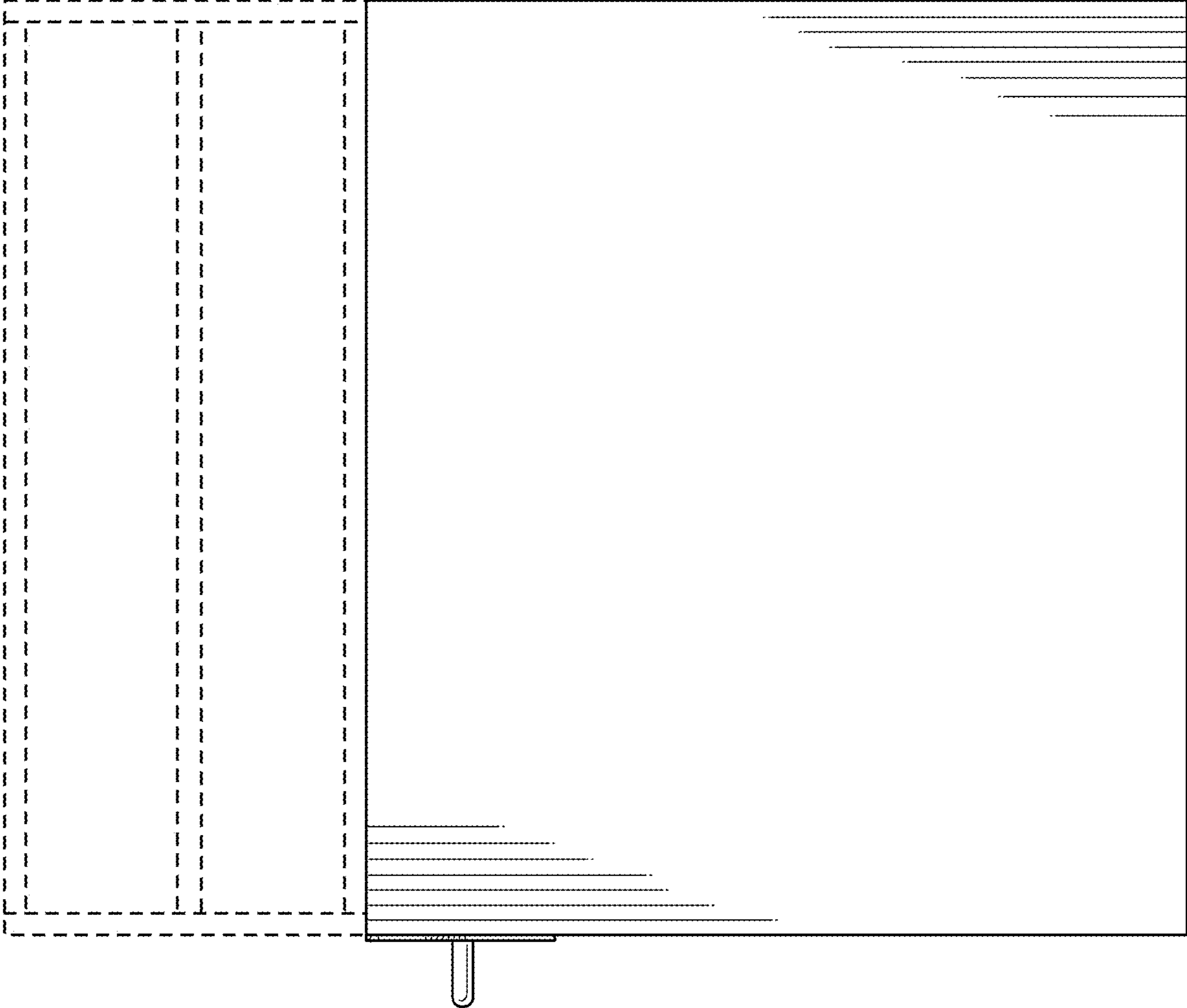
**FIG. 3**



**FIG. 4**

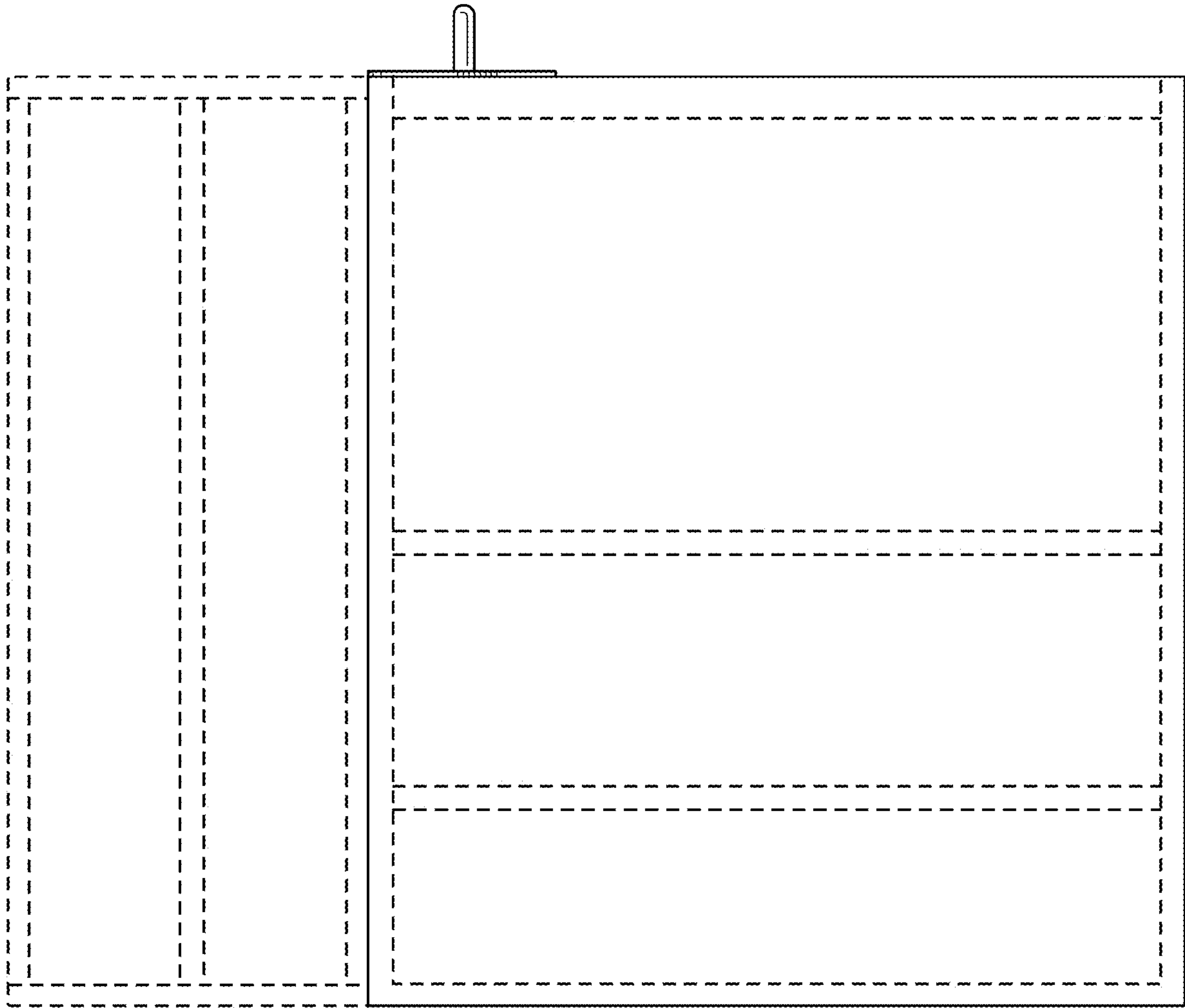


**FIG. 5**

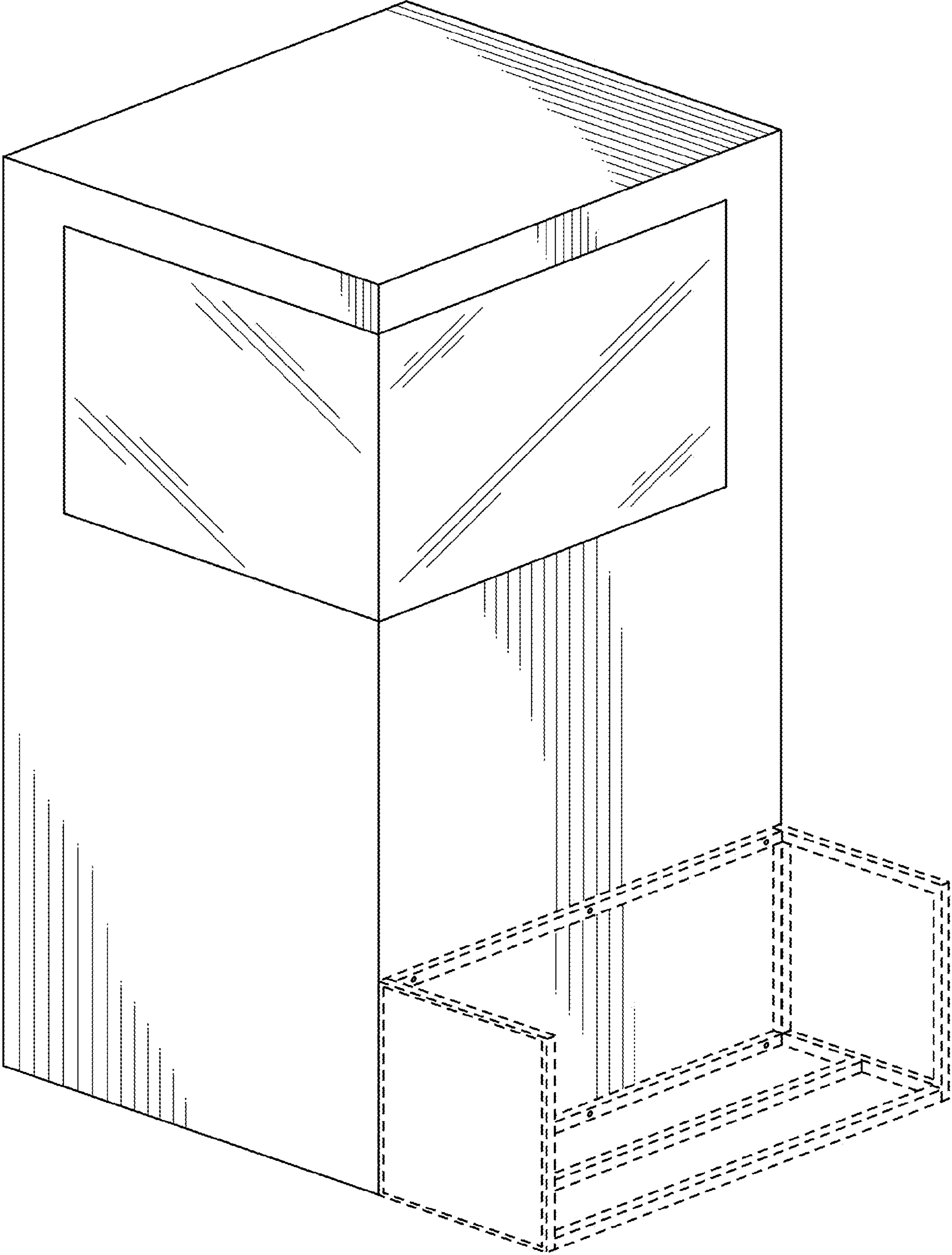


**FIG. 6**





**FIG. 7**



**FIG. 8**