



US00D960390S

(12) **United States Design Patent**
Masuda et al.

(10) **Patent No.:** **US D960,390 S**
(45) **Date of Patent:** **** Aug. 9, 2022**

(54) **ANALYSIS CHIP FOR BIOCHEMICAL TESTING MACHINE**

(71) Applicant: **KYOCERA Corporation**, Kyoto (JP)

(72) Inventors: **Yuji Masuda**, Yasu (JP); **Masashi Yoneta**, Kagoshima (JP)

(73) Assignee: **KYOCERA CORPORATION**, Kyoto (JP)

(**) Term: **15 Years**

(21) Appl. No.: **29/704,292**

(22) Filed: **Sep. 3, 2019**

(30) **Foreign Application Priority Data**

Aug. 30, 2019 (JP) 2019-019352

(51) **LOC (13) Cl.** **24-02**

(52) **U.S. Cl.**
USPC **D24/225**; D24/224

(58) **Field of Classification Search**
USPC D24/216, 224, 225–227, 229–232;
D13/180, 182, 184, 199
CPC B01L 3/5027; B01L 3/502723; B01L
3/502738; B01L 3/502761; B01L
3/502784
See application file for complete search history.

(56) **References Cited**

U.S. PATENT DOCUMENTS

D530,021 S *	10/2006	Muraca	D24/226
D658,607 S *	5/2012	Heng	D13/182
D771,833 S *	11/2016	Leaver	D24/224
D886,901 S *	6/2020	Hussey	D18/56
D888,270 S *	6/2020	Thompson, II	D24/224
D888,273 S *	6/2020	Thompson, II	D24/224

2014/0273223 A1*	9/2014	Cho	C12N 5/0062 435/396
2016/0097028 A1*	4/2016	Tung	C12M 29/10 435/29
2018/0299374 A1*	10/2018	Holman	G01N 21/3563

OTHER PUBLICATIONS

What is a Microfluidic Chip? Online, published date unknown. Retrieved on Jan. 11, 2021 from URL: <https://www.fluigent.com/resources/microfluidic-expertise/what-is-microfluidic/how-to-choose-a-microfluidic-chip/>.*

* cited by examiner

Primary Examiner — Omeed Agilee
(74) *Attorney, Agent, or Firm* — Hauptman Ham, LLP

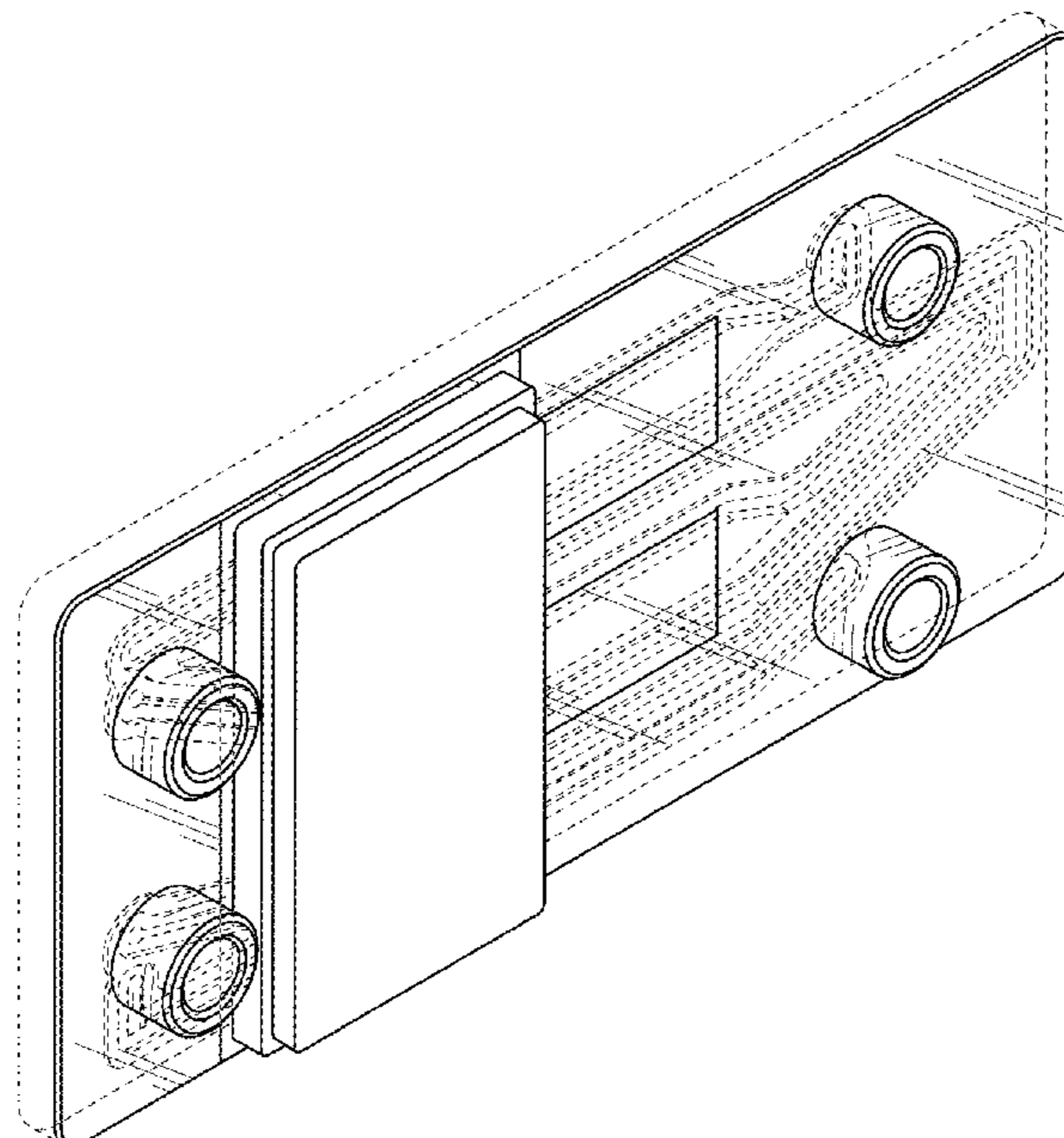
(57) **CLAIM**

The ornamental design for an analysis chip for biochemical testing machine, as shown and described.

DESCRIPTION

FIG. 1 is a front view of an analysis chip for biochemical testing machine showing our new design; FIG. 2 is a rear view thereof; FIG. 3 is a left side view thereof; FIG. 4 is a right side view thereof; FIG. 5 is a top plan view thereof; FIG. 6 is a bottom plan view thereof; FIG. 7 is a front perspective view thereof; and, FIG. 8 is a rear perspective view thereof. The broken lines, the areas within the broken lines, and the areas bounded by the broken lines and solid lines depict portions of the analysis chip for biochemical testing machine that form no part of the claimed design.

1 Claim, 4 Drawing Sheets



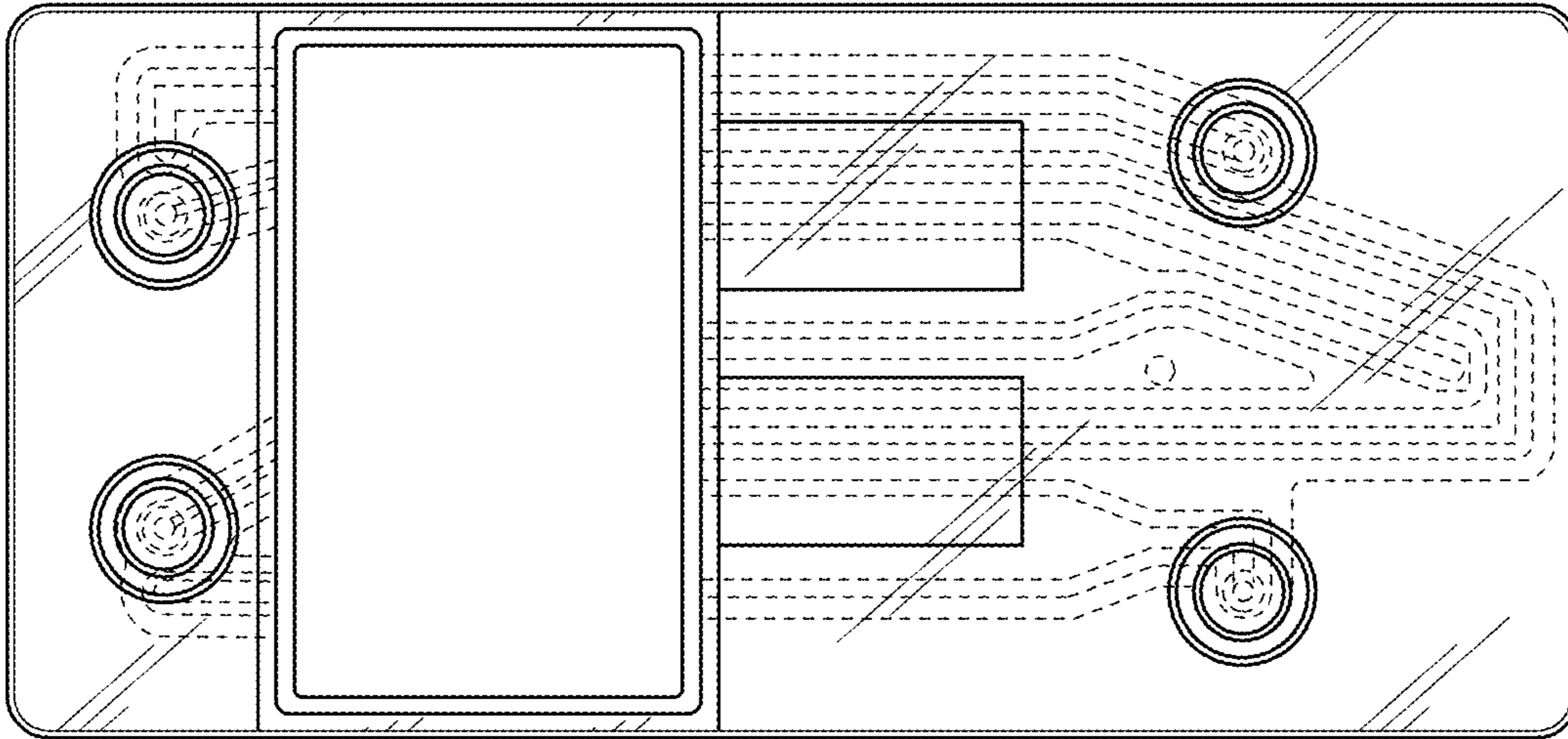


FIG. 1

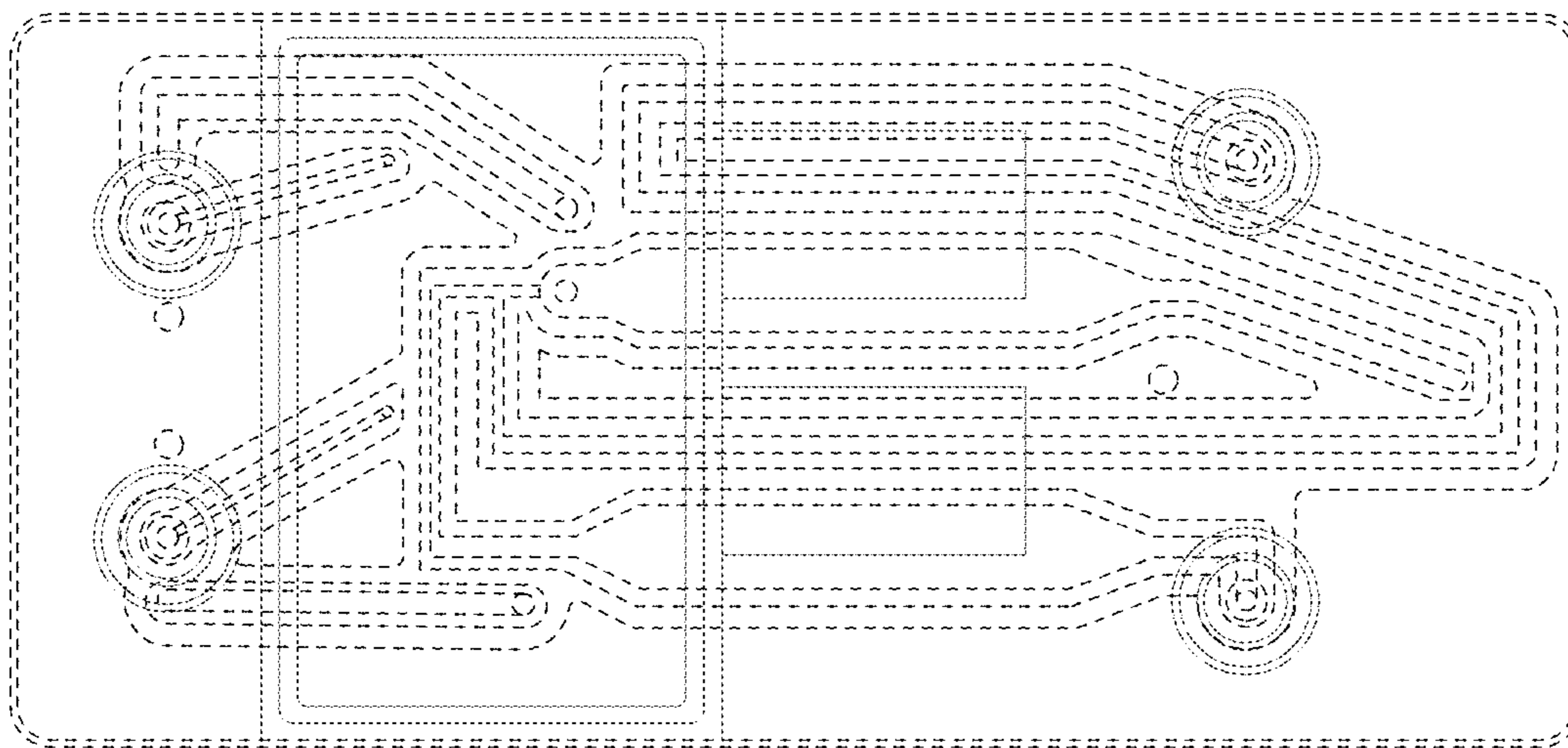


FIG. 2

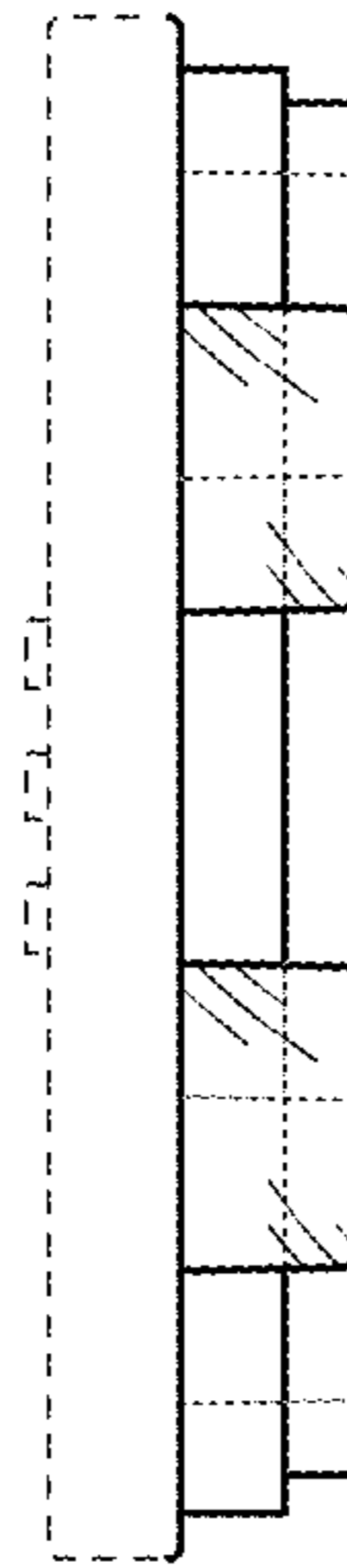


FIG. 3

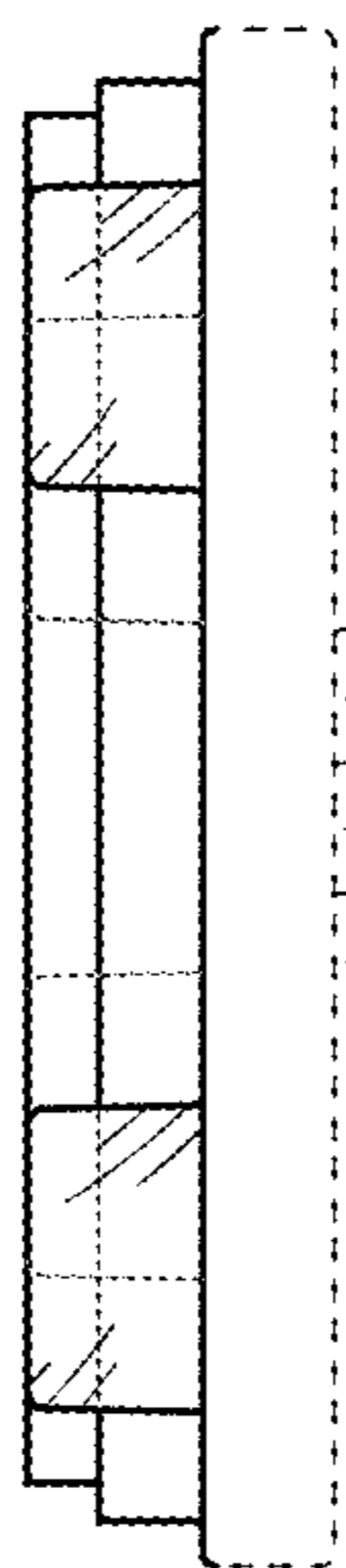


FIG. 4

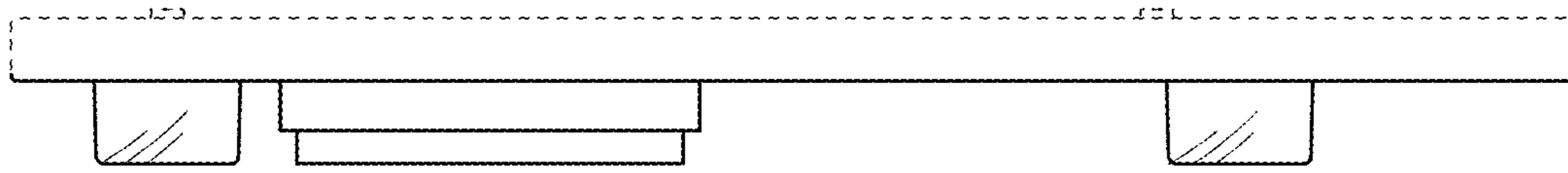


FIG. 5

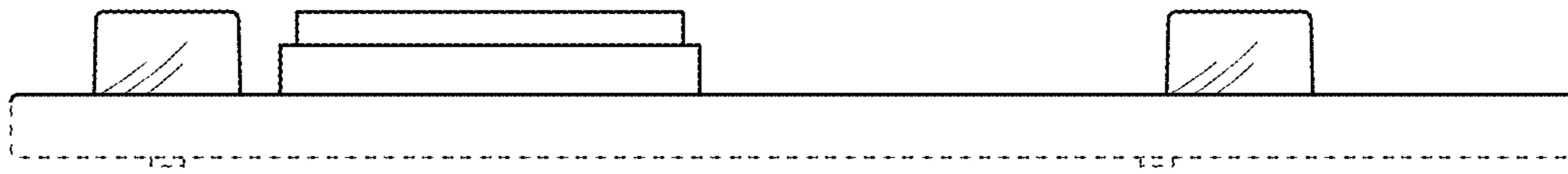


FIG. 6

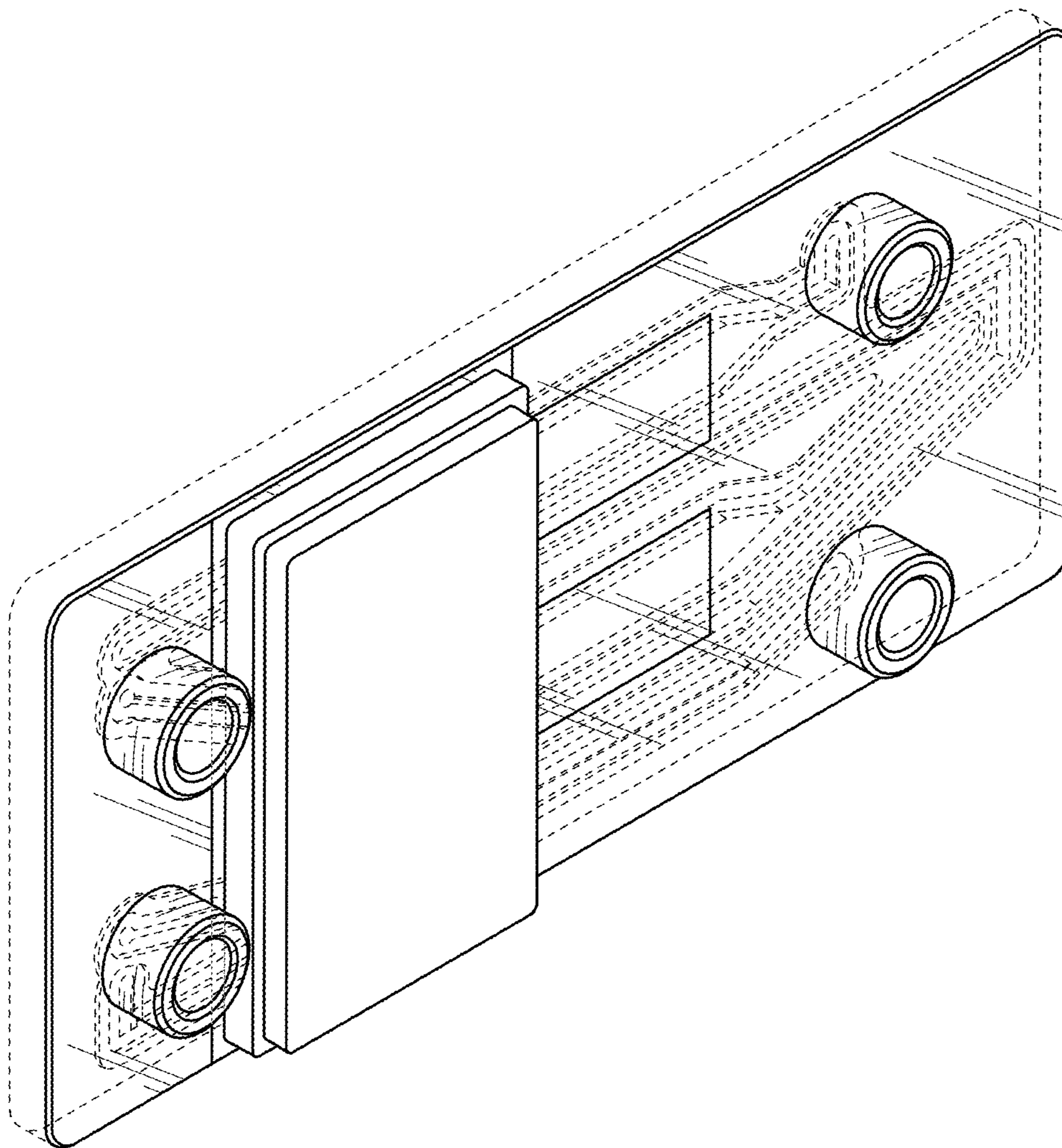


FIG. 7

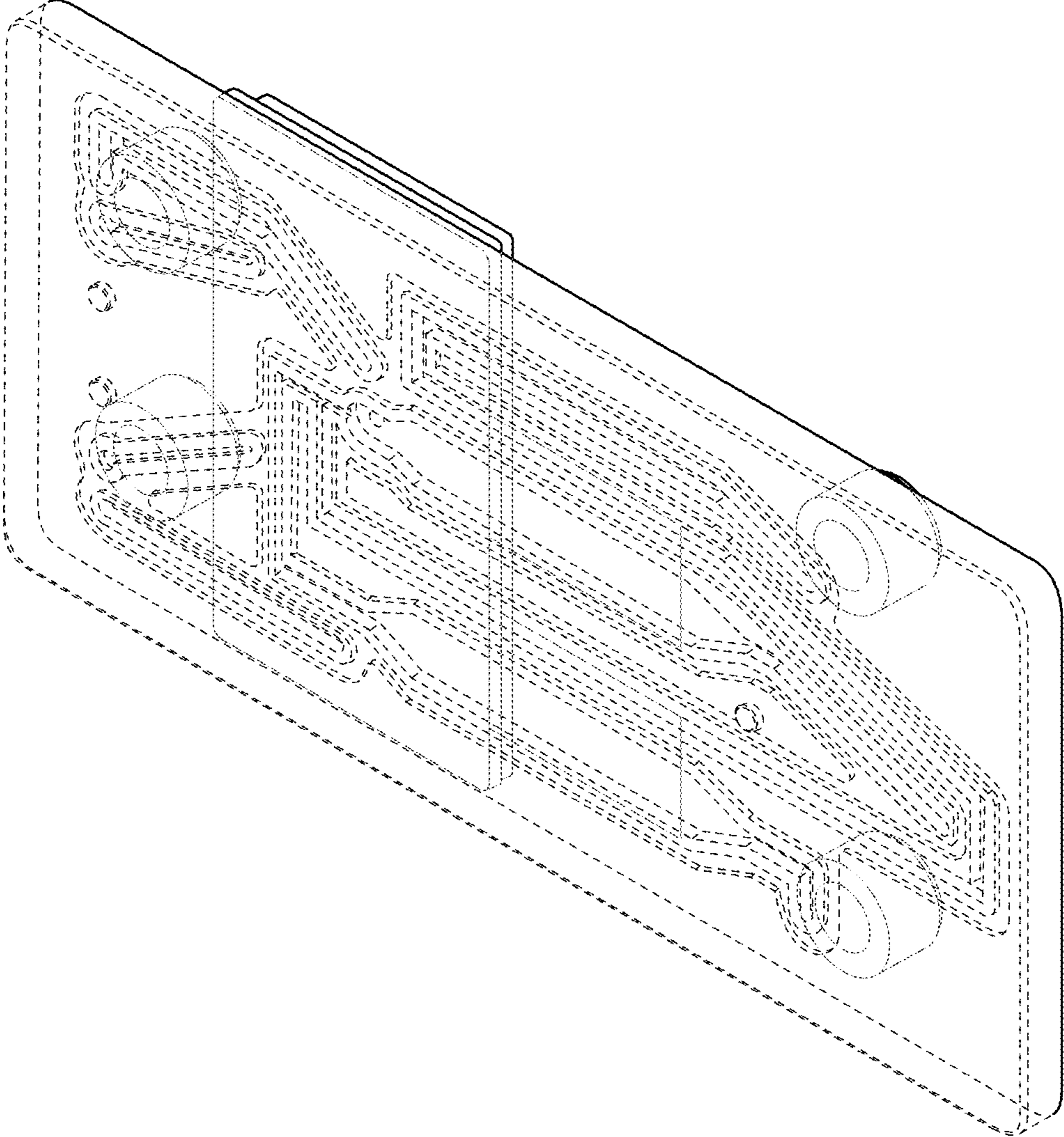


FIG. 8