



US00D960389S

(12) **United States Design Patent** (10) **Patent No.:** **US D960,389 S**
Yamauchi et al. (45) **Date of Patent:** **** Aug. 9, 2022**

(54) **COVER FOR CULTURE VESSEL**

FOREIGN PATENT DOCUMENTS

(71) Applicant: **HAMAMATSU PHOTONICS K.K.**,
Hamamatsu (JP)

JP D2016-5640 3/2016
JP D2017-29474 12/2017

(72) Inventors: **Toyohiko Yamauchi**, Hamamatsu (JP);
Hidenao Yamada, Hamamatsu (JP)

OTHER PUBLICATIONS

(73) Assignee: **HAMAMATSU PHOTONICS K.K.**,
Hamamatsu (JP)

627960—Advanced TC™—Cell Culture Dish. Online, published date unknown. Retrieved on Feb. 3, 2022 from URL: <https://jainbiologicals.com/product/627960-advanced-tc-cell-culture-dish/>.*

(**) Term: **15 Years**

(Continued)

(21) Appl. No.: **29/728,729**

Primary Examiner — Omeed Agilee

(22) Filed: **Mar. 20, 2020**

(74) *Attorney, Agent, or Firm* — Faegre Drinker Biddle & Reath LLP

Related U.S. Application Data

(62) Division of application No. 29/649,984, filed on Jun. 4, 2018, now Pat. No. Des. 901,714.

(57) **CLAIM**

The ornamental design for a cover for culture vessel, as shown and described.

(30) **Foreign Application Priority Data**

Dec. 5, 2017 (JP) 2017-027159
Dec. 5, 2017 (JP) 2017-027167

DESCRIPTION

(51) **LOC (13) Cl.** **24-02**

(52) **U.S. Cl.**
USPC **D24/224**

(58) **Field of Classification Search**
USPC D24/216, 223–227, 229–232; D9/420,
D9/537, 545, 549, 700, 705, 706;
(Continued)

FIG. 1 is a top perspective view of the present invention.
FIG. 2 is a bottom perspective view thereof.
FIG. 3 is a front view thereof.
FIG. 4 is a rear view thereof.
FIG. 5 is a top plan view thereof.
FIG. 6 is a bottom view thereof.
FIG. 7 is a right side view thereof.
FIG. 8 is a left side view thereof.
FIG. 9 is a sectional view taken along the line 9-9 of the cover for culture vessel of FIG. 5; and,
FIG. 10 is a sectional view taken along the line 10-10 of the cover for culture vessel of FIG. 5.

(56) **References Cited**

U.S. PATENT DOCUMENTS

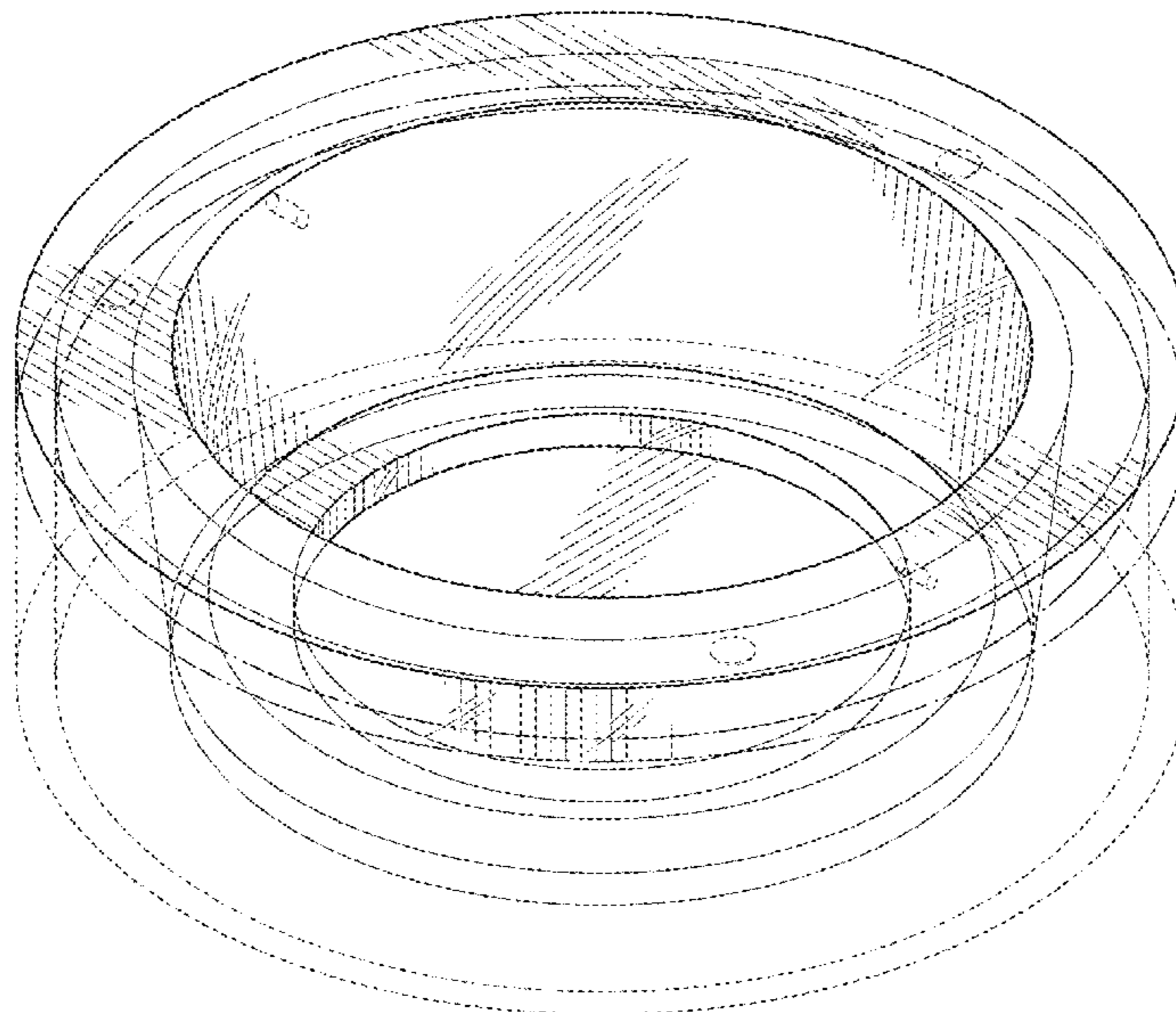
D258,761 S 3/1981 Graham
4,668,633 A * 5/1987 Walton C12M 23/10
435/305.2

The evenly spaced broken lines in the drawings depict portions of the cover for culture vessel that form no part of the claimed design.

The dot dash dot broken lines depict the boundaries of the claim and form no part thereof.

(Continued)

1 Claim, 10 Drawing Sheets



US D960,389 S

(58) **Field of Classification Search**
USPC D3/203.1, 203.2; D30/129; D7/360, 543,
D7/552, 584, 602
CPC .. B01L 3/0275; B01L 3/5085; B01L 3/50825;
C12M 23/10; C12M 23/12
See application file for complete search history.

D563,560 S 3/2008 Copeland
D568,989 S 5/2008 Kammer et al.
D569,970 S * 5/2008 Kammer D24/123
D601,309 S * 9/2009 Babal D30/129
D656,236 S * 3/2012 Marechal D24/224
D697,224 S * 1/2014 Judson D24/216
D716,003 S * 10/2014 Brown D30/129
D728,865 S * 5/2015 Tsengas D30/129
D738,491 S 9/2015 Foley et al.
D767,952 S 10/2016 Ioncescu
D823,643 S 7/2018 Paul
D873,469 S * 1/2020 Nielsen D26/89
D896,369 S * 9/2020 Chase D24/227
D901,714 S * 11/2020 Yamauchi D24/224

(56) **References Cited**
U.S. PATENT DOCUMENTS

D292,165 S 10/1987 Oh
D295,319 S 4/1988 Franchere et al.
D315,208 S 3/1991 Valencia
D316,752 S 5/1991 Ricketts
D316,753 S 5/1991 Ricketts
5,269,717 A * 12/1993 Tardif A63H 33/00
D7/505
D421,129 S 2/2000 Haynes
D433,130 S * 10/2000 Cude D24/227
D473,950 S 4/2003 Carlson
D501,364 S 2/2005 Tranfaglia et al.
D554,316 S * 10/2007 Brothers D7/354

OTHER PUBLICATIONS
Falcon™ Standard Tissue Culture Dishes. Online, published date unknown. Retrieved on Feb. 3, 2022 from URL: <https://www.fishersci.com/shop/products/falcon-standard-tissue-culture-dishes-3/p-88186>.*

* cited by examiner

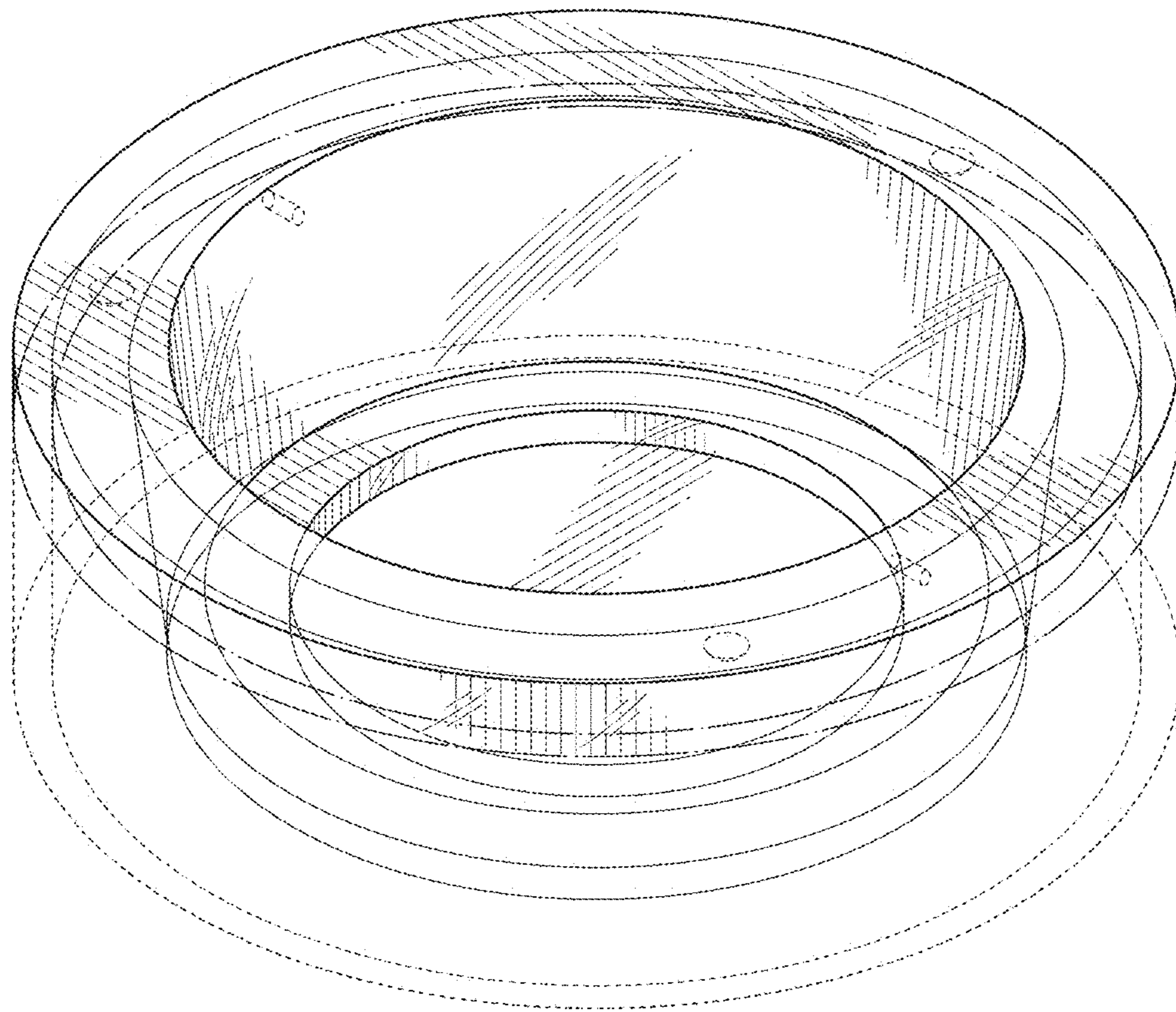


FIG.1

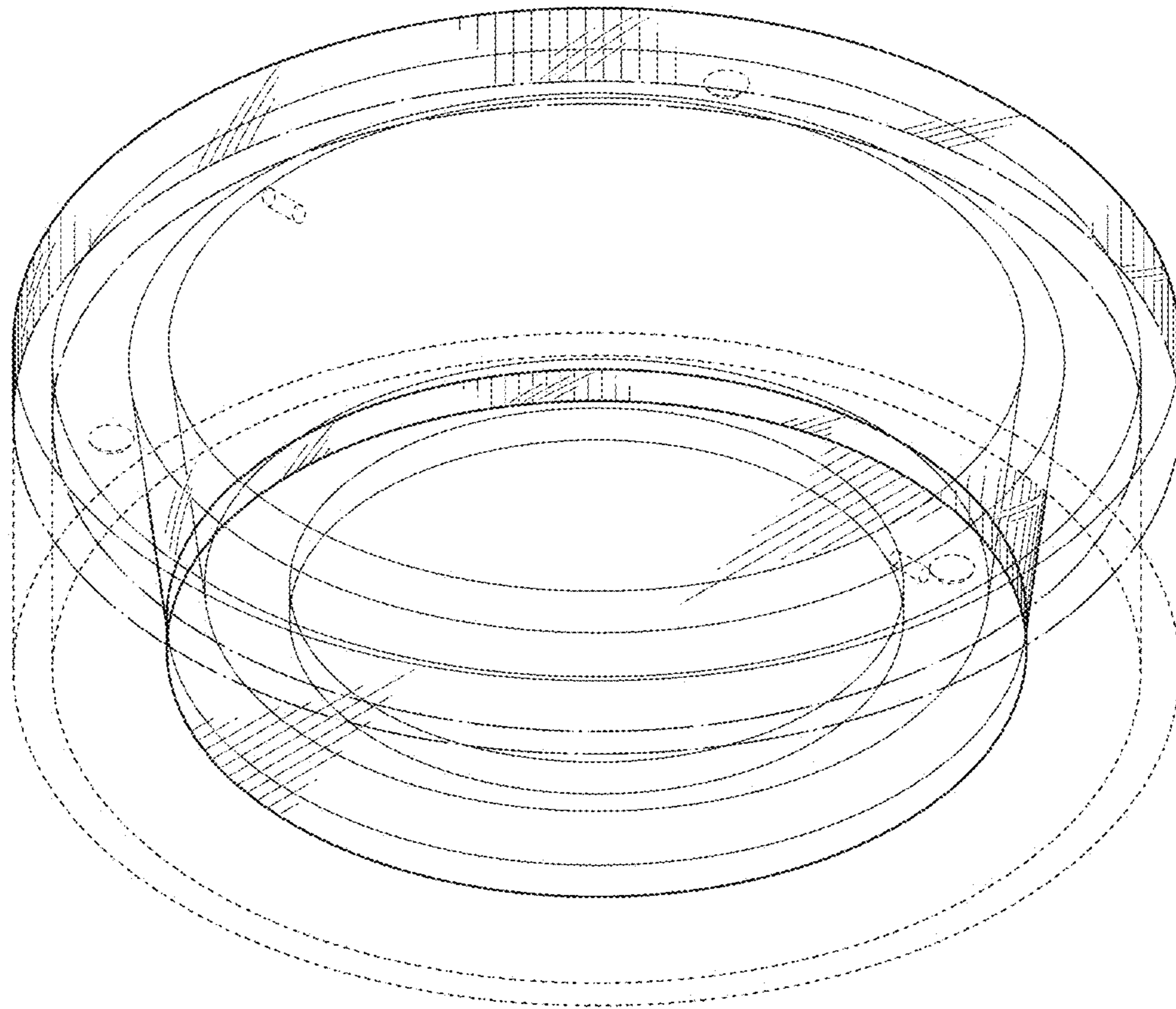


FIG.2

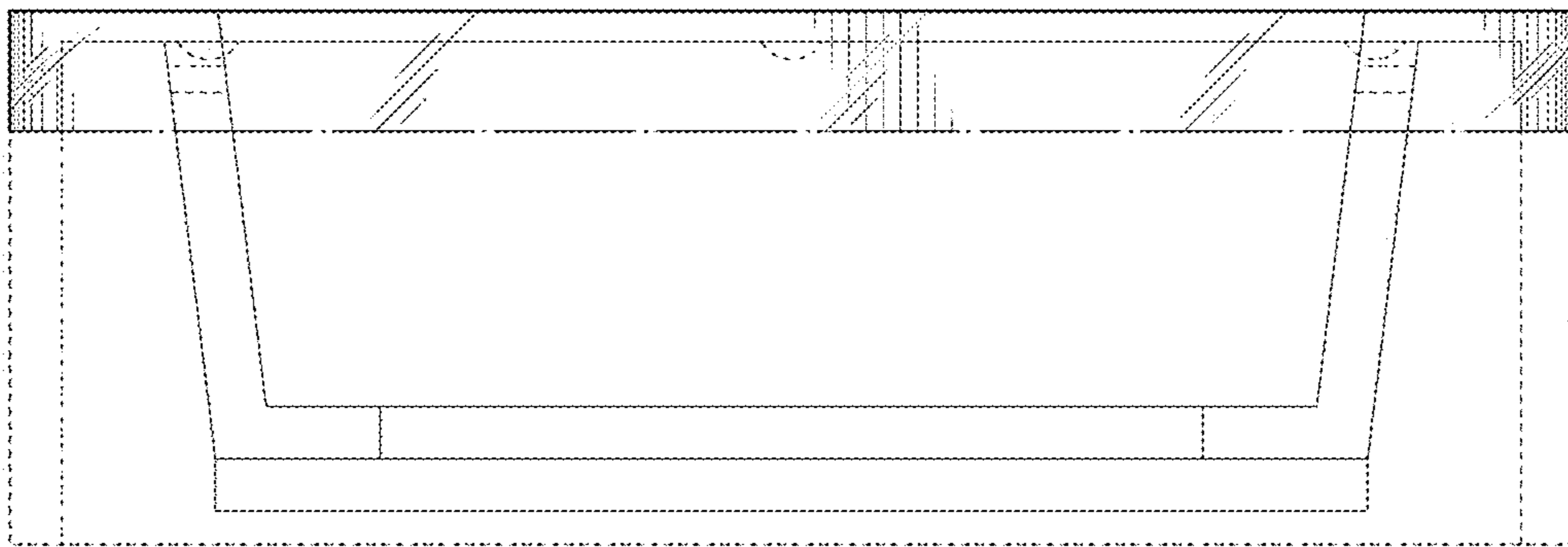


FIG.3

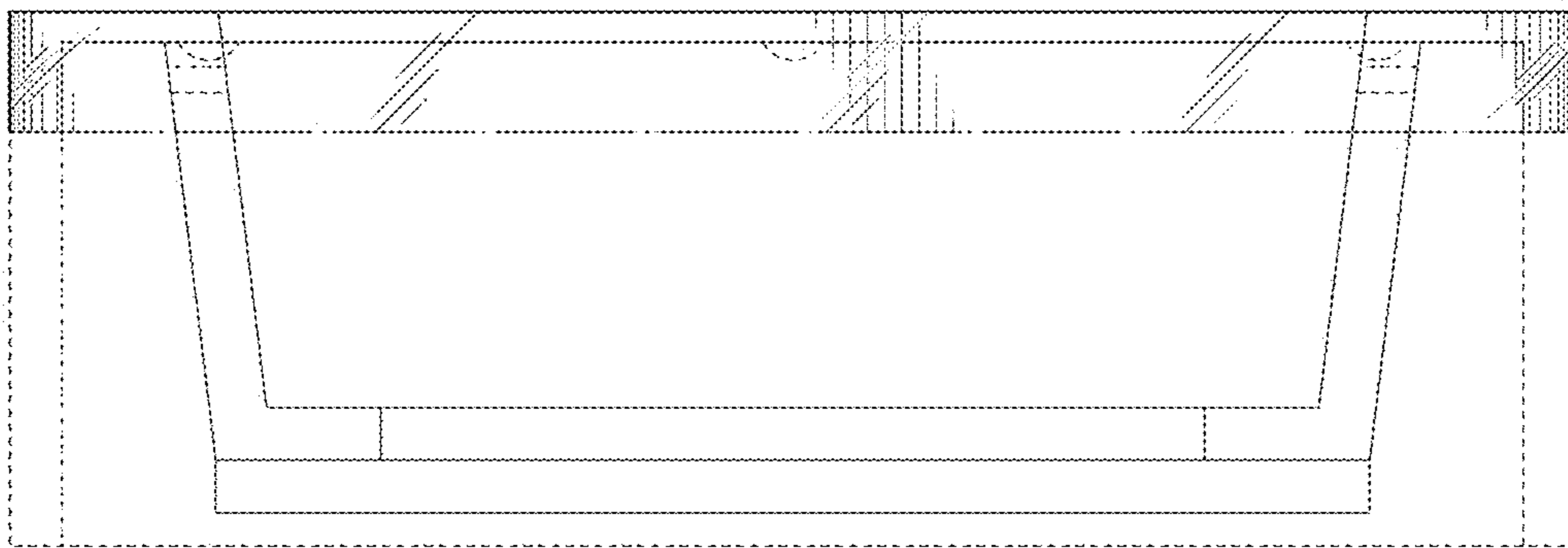


FIG.4

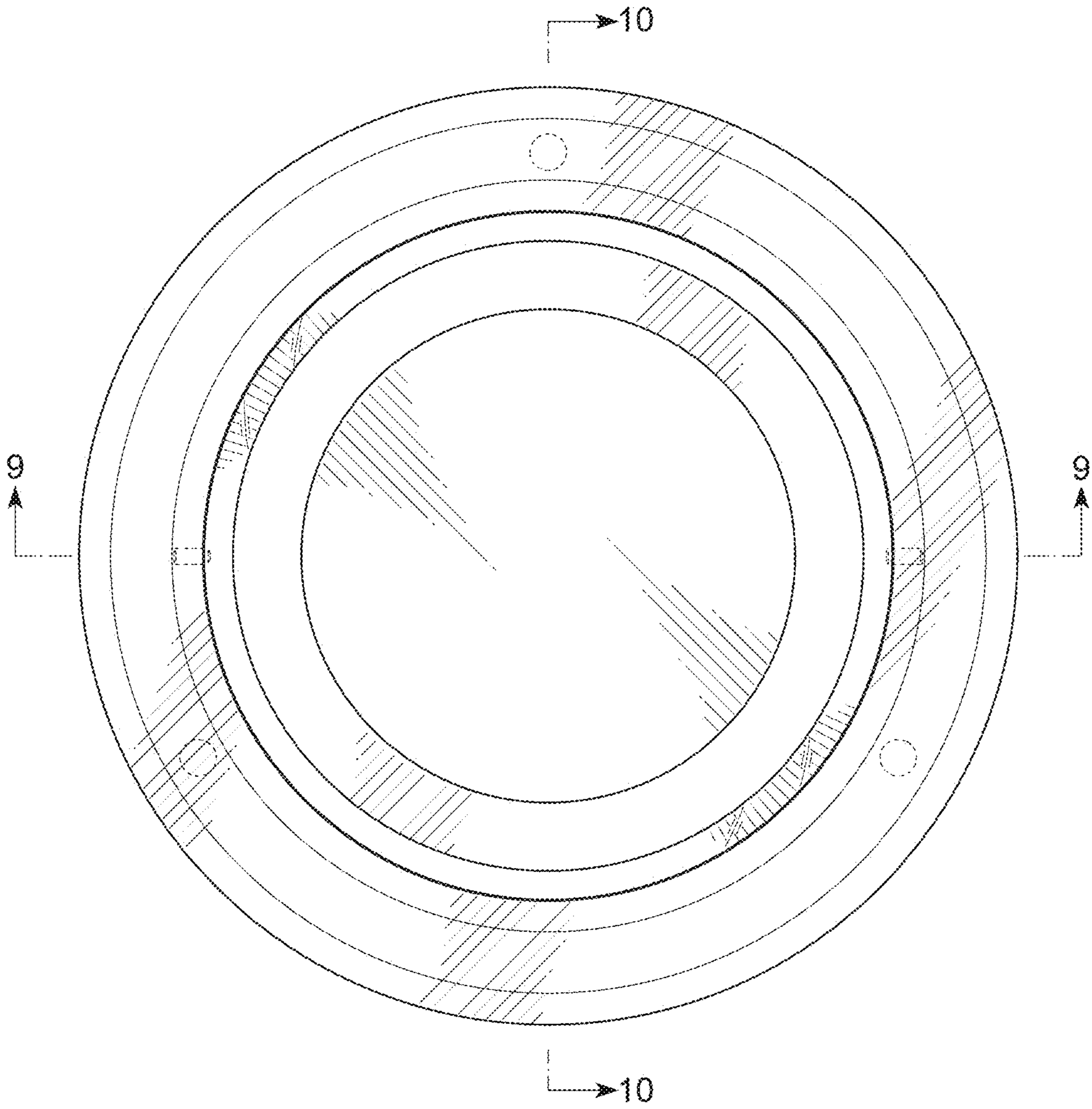


FIG.5

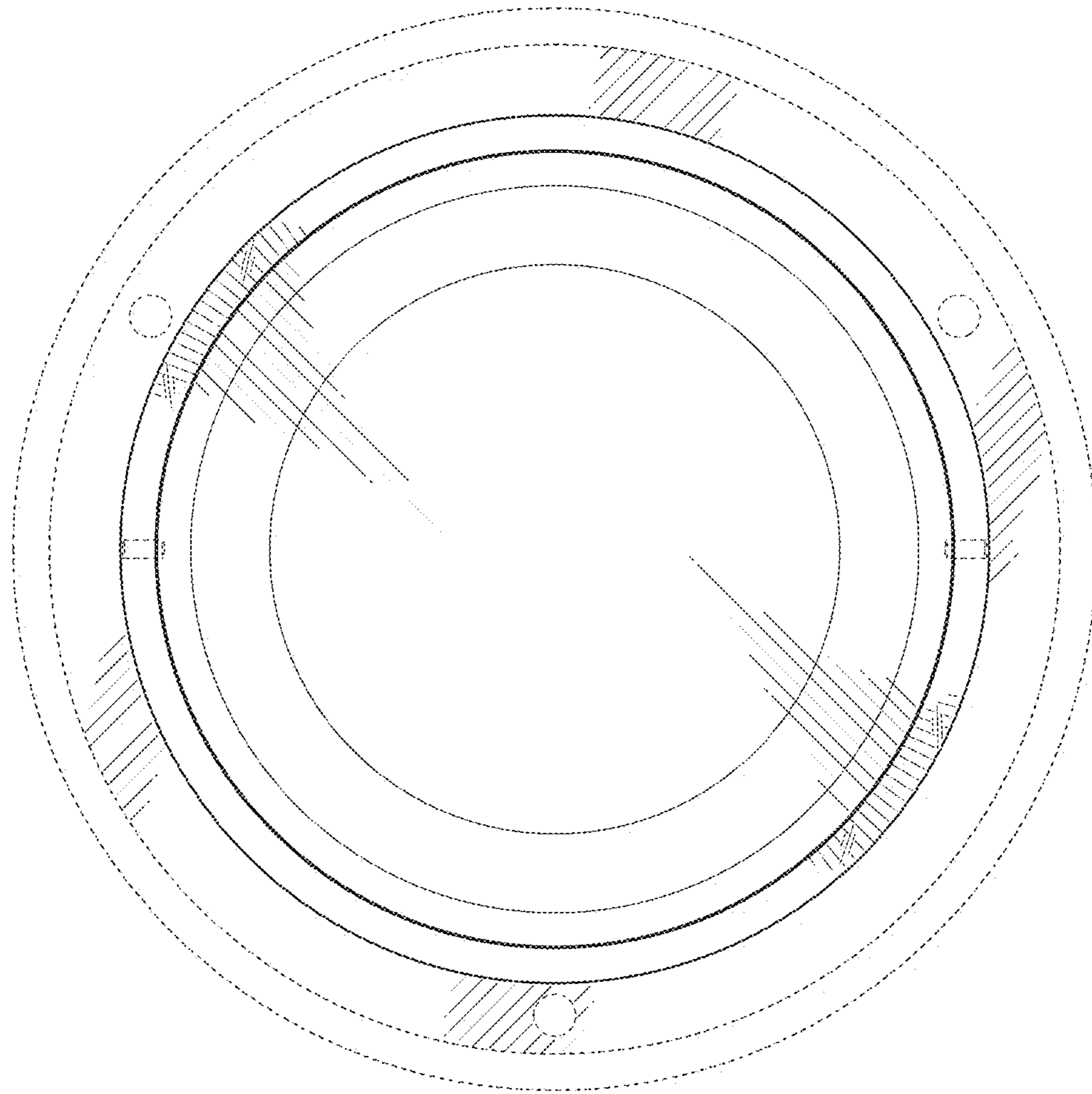


FIG.6

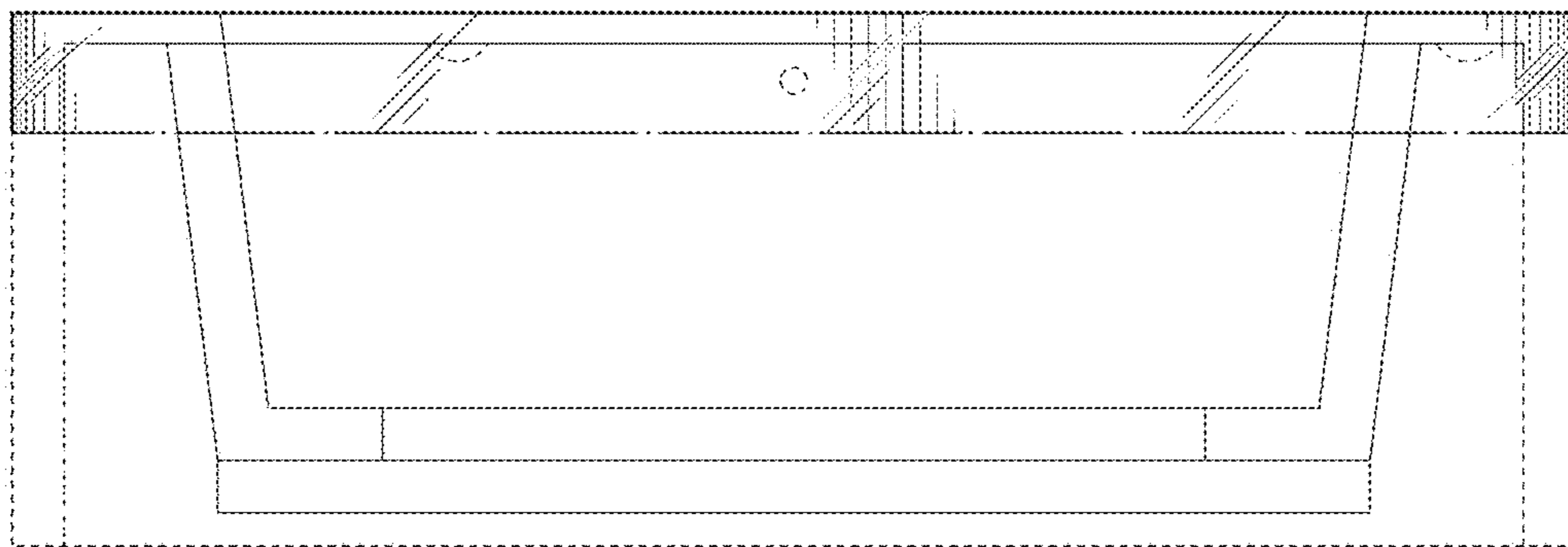


FIG.7

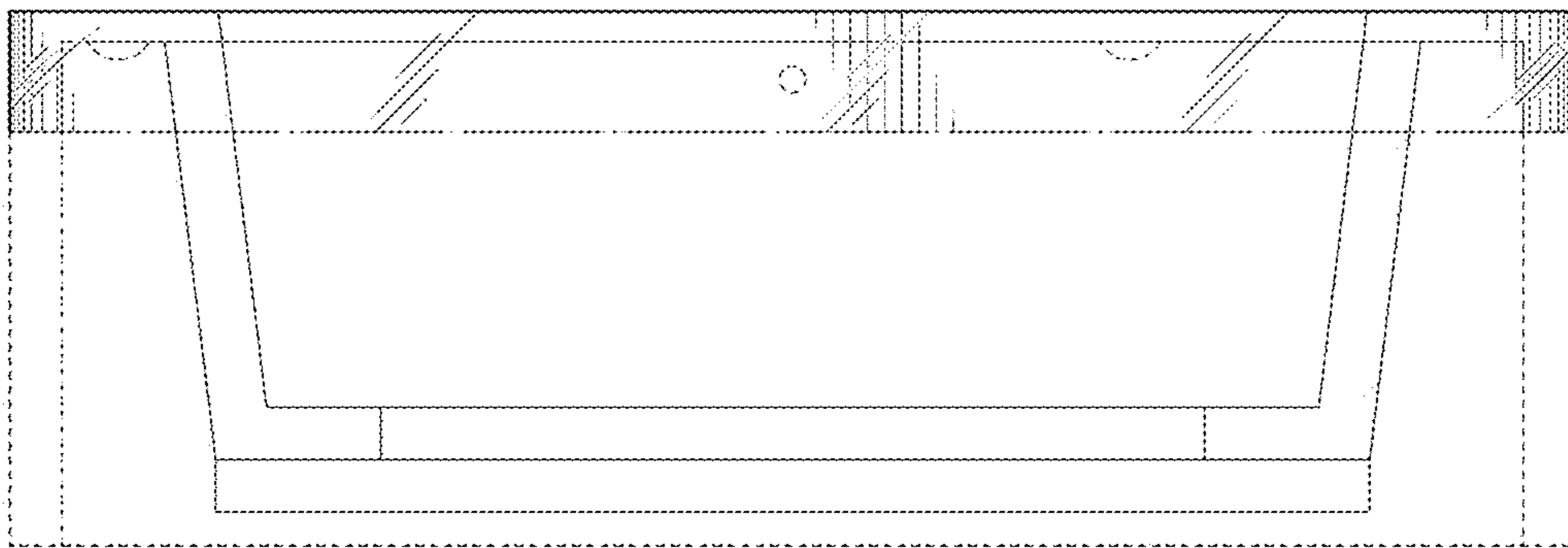


FIG.8

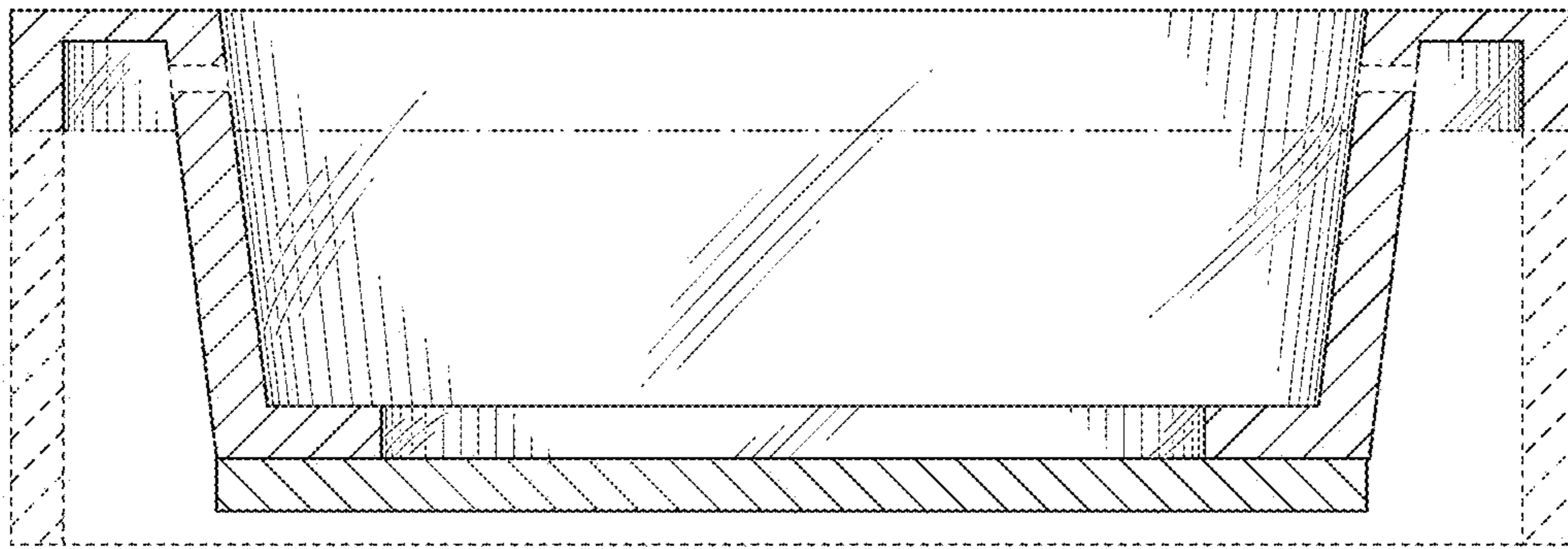


FIG.9

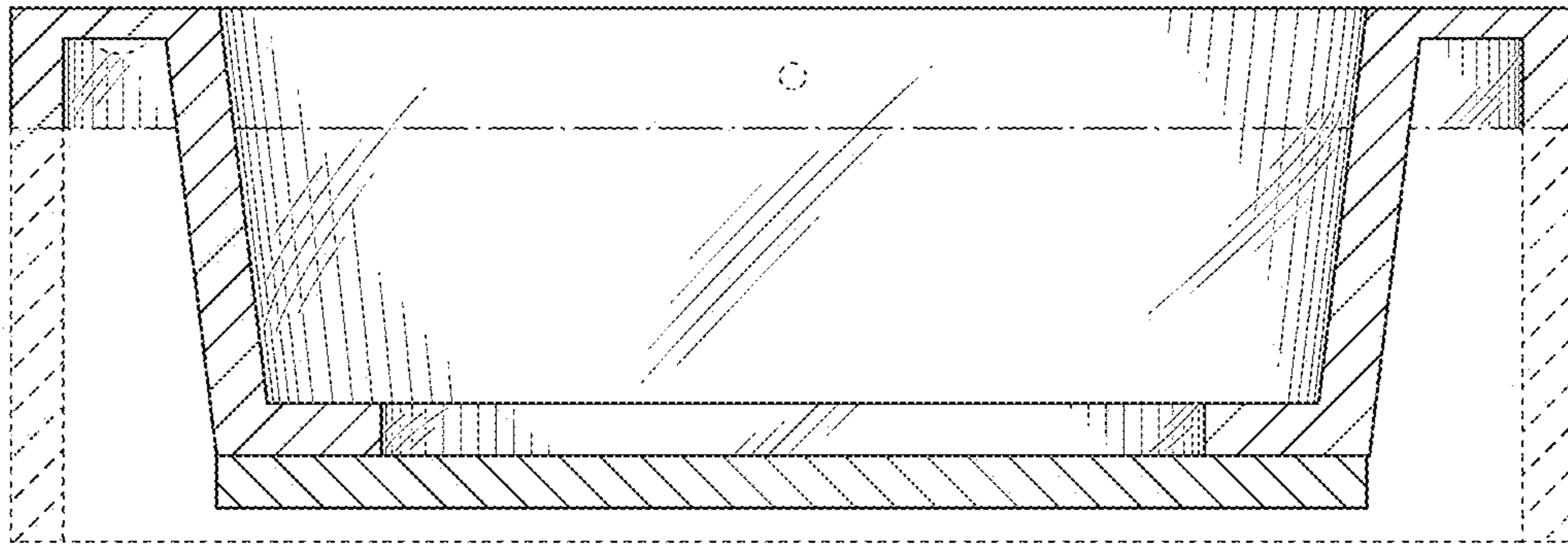


FIG.10