



US00D960387S

(12) **United States Design Patent** (10) **Patent No.:** **US D960,387 S**
Zhu (45) **Date of Patent:** **** Aug. 9, 2022**

- (54) **HANDHELD MULTI-FUNCTIONAL STERILIZER**
- (71) Applicant: **Dongguan Houke Electronics Co., Ltd., Dongguan (CN)**
- (72) Inventor: **Xiangkui Zhu, Bozhou (CN)**
- (73) Assignee: **DONGGUAN HOUKE ELECTRONICS CO., LTD., Dongguan (CN)**
- (**) Term: **15 Years**
- (21) Appl. No.: **29/768,692**
- (22) Filed: **Feb. 1, 2021**
- (51) **LOC (13) Cl.** **24-02**
- (52) **U.S. Cl.**
USPC **D24/217**
- (58) **Field of Classification Search**
USPC D24/107, 216, 217-218, 231-232, 234; D26/37; D32/1
CPC ... A61L 2/025; A61L 2/07; A61L 2/10; A61L 2/18; A61L 2/24; A61L 2/26; A61L 2202/10; A61L 2202/11; A61L 2202/14; A61L 2202/23; A61L 2202/24; A61L 2202/122; A61L 2202/182
See application file for complete search history.

(56) **References Cited**

U.S. PATENT DOCUMENTS

D585,997 S *	2/2009	Adam	D24/107
D854,705 S *	7/2019	Ouyang	D24/217
D893,740 S *	8/2020	Lv	D24/217
D914,234 S *	3/2021	Yi	D24/217
D919,825 S *	5/2021	Yang	D24/209
D923,809 S *	6/2021	Lucio	D24/217
D925,762 S *	7/2021	LaPorte	D24/217
D925,763 S *	7/2021	LaPorte	D24/217
D928,340 S *	8/2021	Chen	D24/217

D928,341 S *	8/2021	Thimm	D24/217
D933,600 S *	10/2021	Wang	D24/217
D941,489 S *	1/2022	Lu	D24/217
D942,644 S *	2/2022	Zheng	D24/217
D945,009 S *	3/2022	Ahn	D24/217

OTHER PUBLICATIONS

UV Light Sanitizer Handheld, UV Disinfection Light Portable Wand, Aug. 13, 2020, amazon.ca, May 31, 2022. URL: <https://www.amazon.ca/Sanitizer-Handheld-Disinfection-Portable-Bathroom/dp/B08FT7FF13> (Year: 2020).*

2020 updated Portable Rechargeable Mini LED UV Light, Nov. 4, 2020, amazon.ca, May 31, 2022, URL: <https://www.amazon.ca/updated-Portable-Rechargeable-WY-CN/dp/B08MQKLMWN/> (Year: 2020).*

* cited by examiner

Primary Examiner — Keith J Wilson

(74) *Attorney, Agent, or Firm* — Bayramoglu Law Offices LLC

(57) **CLAIM**

The ornamental design for a handheld multi-functional sterilizer, as shown and described.

DESCRIPTION

FIG. 1 is a front, left and bottom perspective view of a handheld multi-functional sterilizer showing my new design;

FIG. 2 is a front view thereof;

FIG. 3 is a rear view thereof;

FIG. 4 is a right side view thereof;

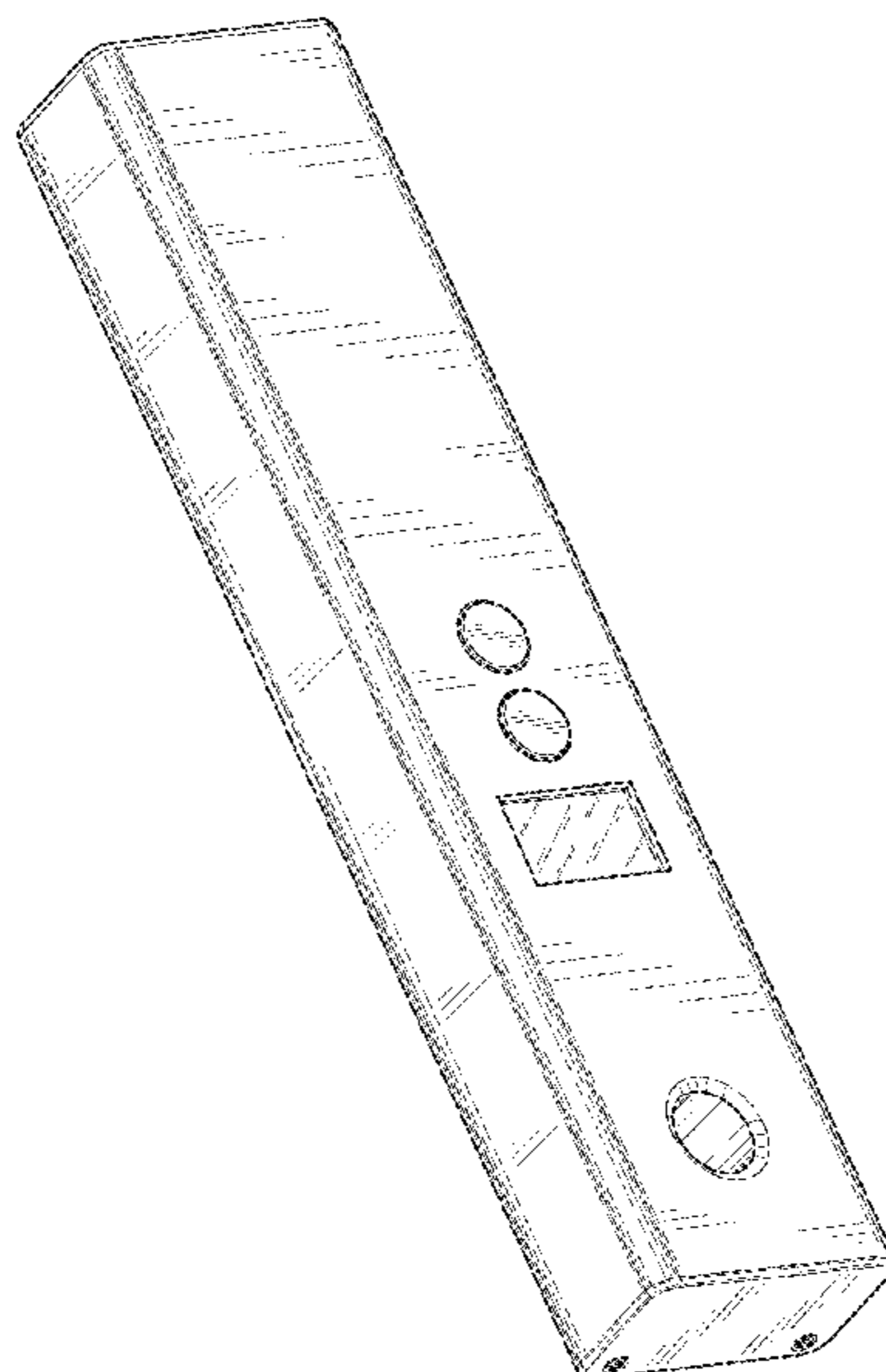
FIG. 5 is a bottom view thereof;

FIG. 6 is a top view thereof; and,

FIG. 7 is a rear, left and top perspective view thereof.

A left side view is omitted since the left side view is identical to the right side view.

1 Claim, 7 Drawing Sheets



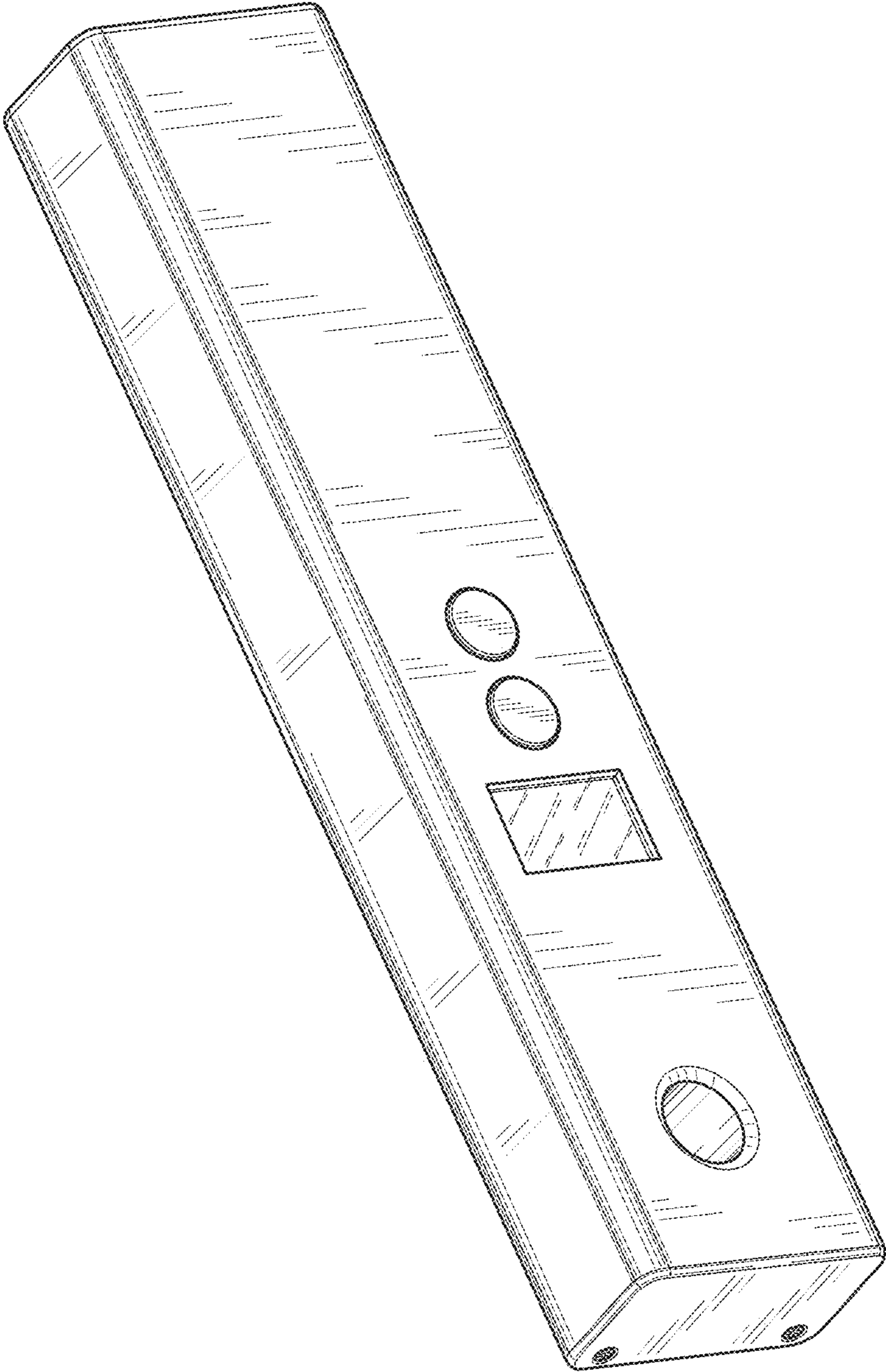


Fig. 1

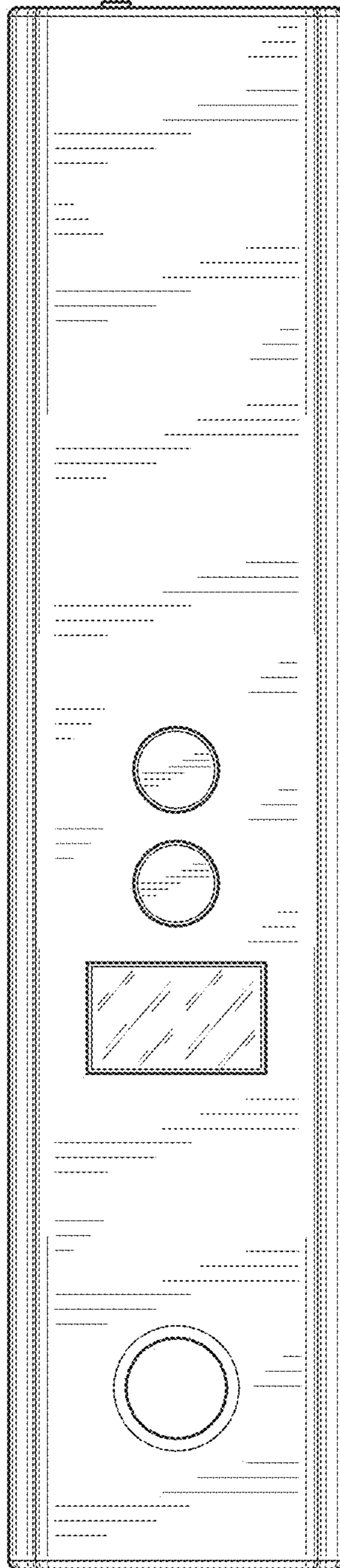


Fig. 2

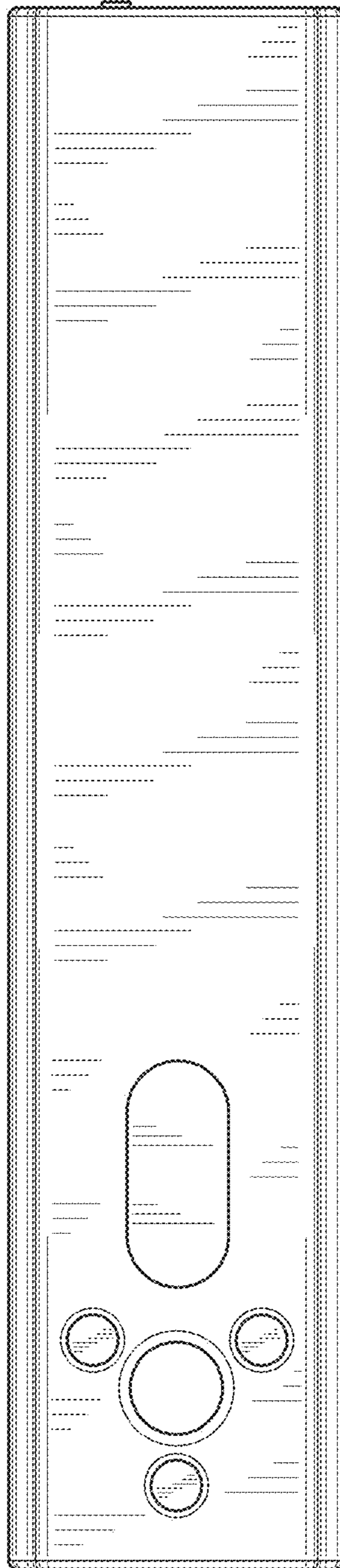


Fig. 3

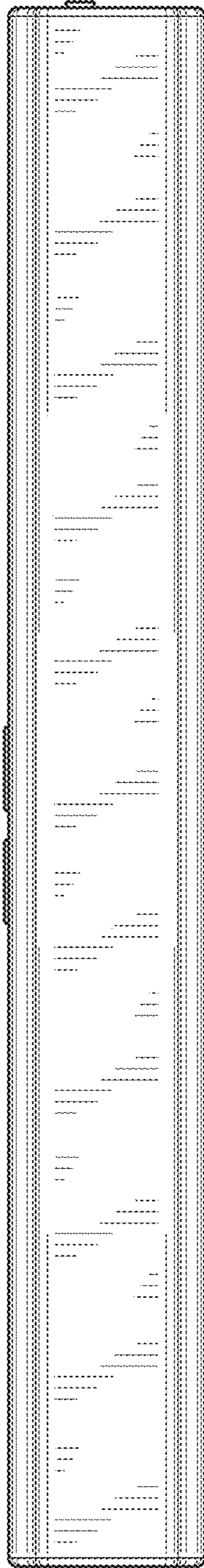


Fig. 4

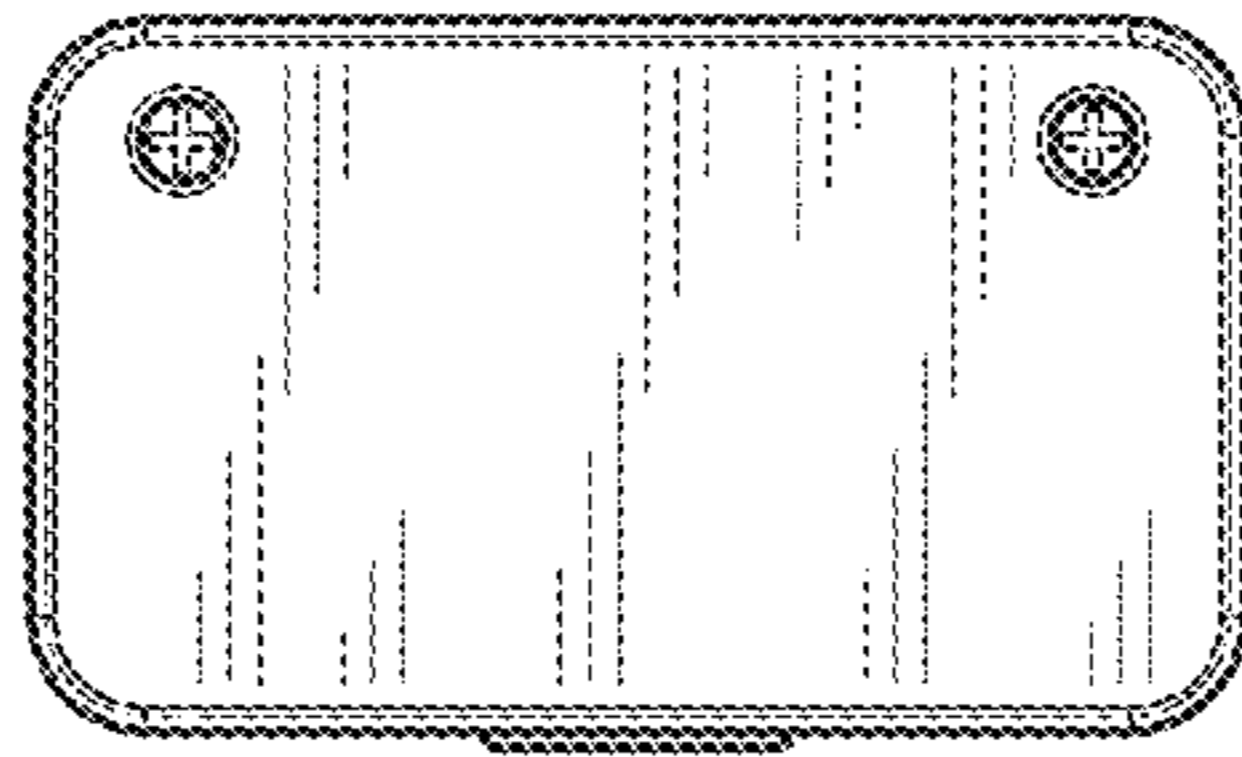


Fig. 5

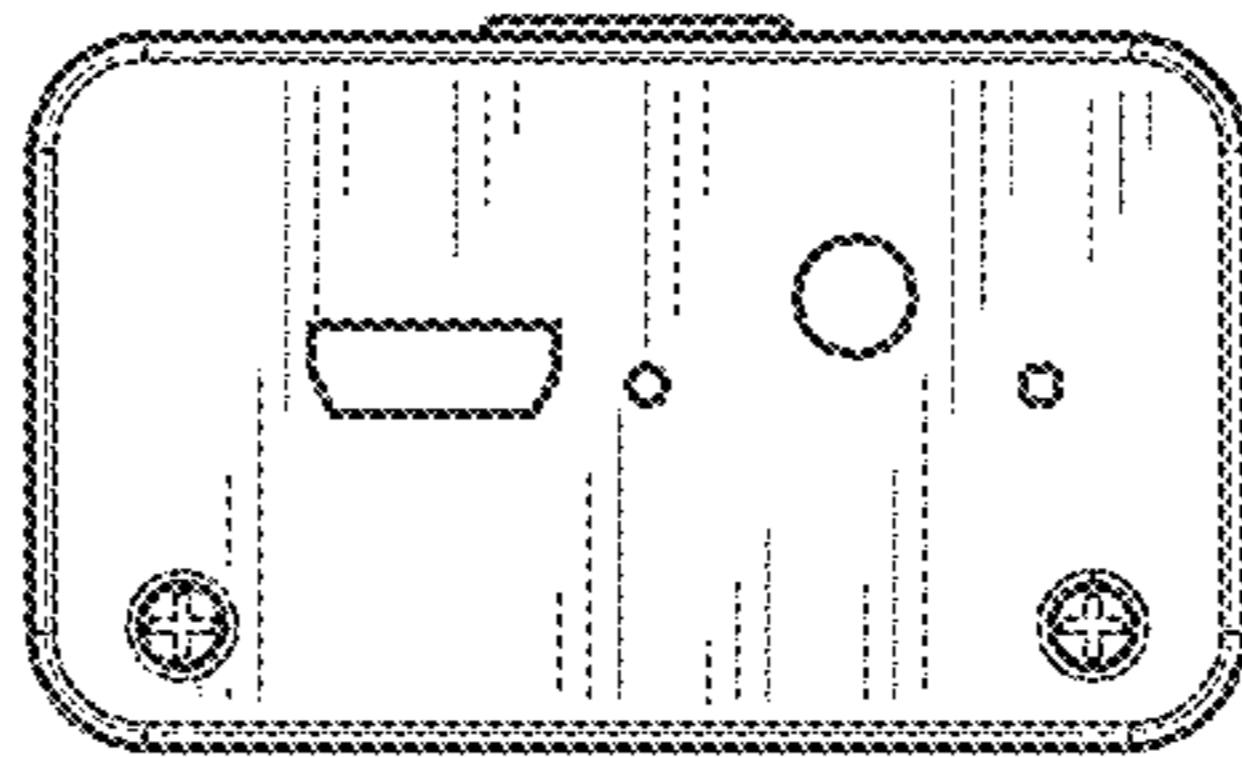


Fig. 6

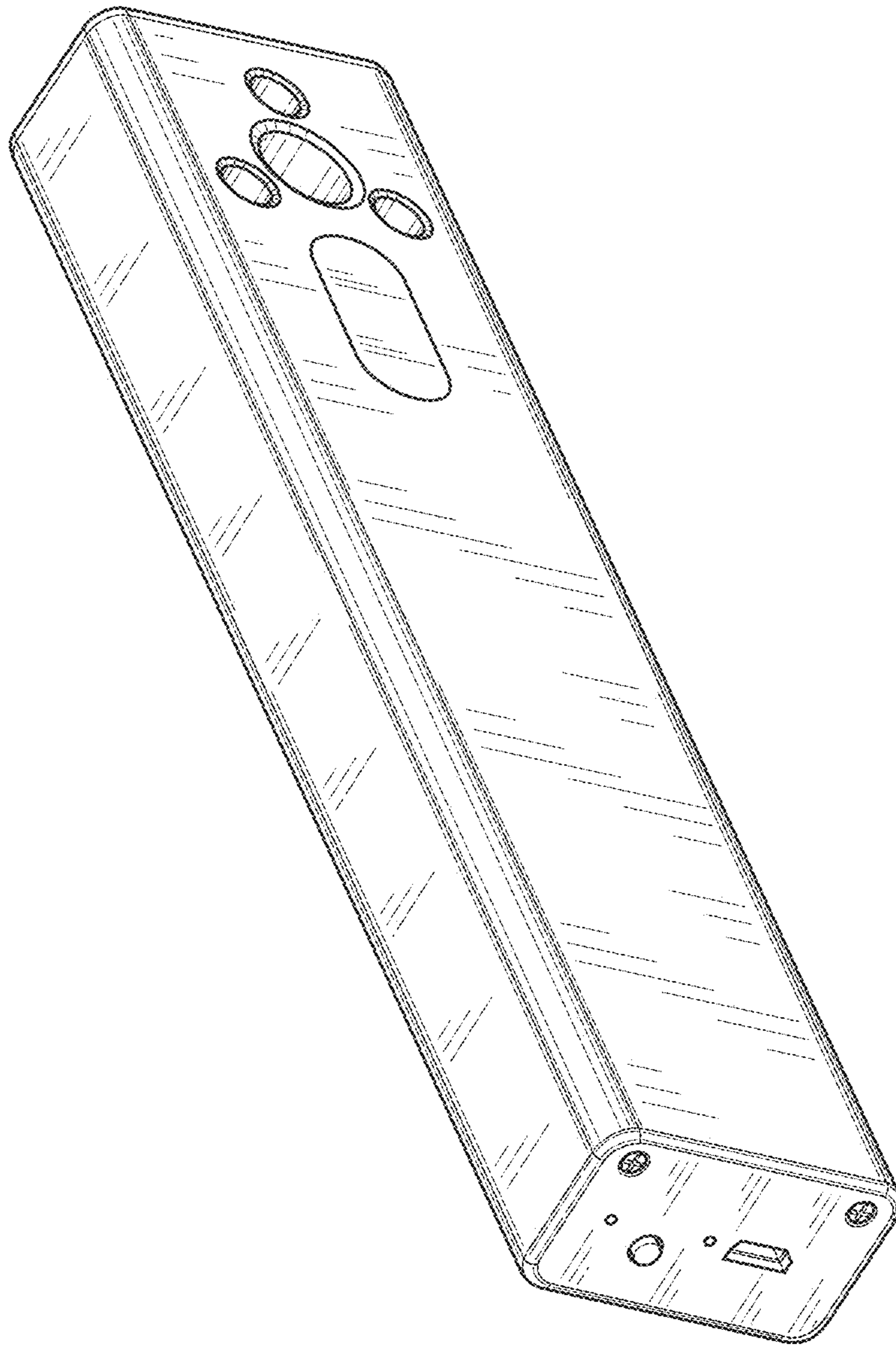


Fig. 7