



US00D960385S

(12) **United States Design Patent** (10) **Patent No.:** **US D960,385 S**
Schubert et al. (45) **Date of Patent:** **** *Aug. 9, 2022**

(54) **LATERAL FLOW ASSAY READER APPARATUS**

(71) Applicant: **Abbott Rapid Diagnostics International Unlimited Company**, Dublin (IE)

(72) Inventors: **Axel Schubert**, Jena (DE); **Thomas Ullrich**, Jena (DE); **Sören Geist**, Jena (DE); **Martin Stohr**, Jena (DE); **Christopher Deppisch**, Jena (DE); **Michael Winterot**, Jena (DE); **Ilka Schlesiger**, Jena (DE)

(73) Assignee: **Abbott Rapid Diagnostics International Unlimited Company**, Dublin (IE)

(*) Notice: This patent is subject to a terminal disclaimer.

(**) Term: **15 Years**

(21) Appl. No.: **29/705,939**

(22) Filed: **Sep. 17, 2019**

(51) **LOC (13) Cl.** **24-01**

(52) **U.S. Cl.**
USPC **D24/216; D24/186**

(58) **Field of Classification Search**
USPC D24/107, 186, 216, 223, 231, 232; D10/81
CPC B01L 3/5027; B01L 3/50273; B01L 3/502738; B01L 2300/0609; B01L 2300/0672; B01L 2300/0829; B01L 2200/025; B01L 2200/026; B01L 2200/028; B01L 2200/16; G01N 21/01; G01N 21/75; G01N 33/66; G01N 33/49; G01N 33/493; A61B 5/14532; A61B 2560/0412; A61B 2560/0443; A61B 2560/0462

See application file for complete search history.

(56) **References Cited**

U.S. PATENT DOCUMENTS

8,889,424 B2 11/2014 Ehrenkranz et al.
8,935,007 B2 1/2015 Kloepfer et al.
9,244,066 B2 1/2016 O'Driscoll et al.
D759,253 S * 6/2016 Bar-Or D24/186
D762,860 S * 8/2016 He D24/186
D800,320 S * 10/2017 Nishikawa D24/186

(Continued)

FOREIGN PATENT DOCUMENTS

CN 201830041760 * 10/2018

OTHER PUBLICATIONS

Abingdon Health. FDA registration and CE marking of new lateral flow immunoassay Reader—ADxLR5®. Published Jul. 22, 2016. Retrieved from website at: <https://www.abingdonhealth.com/news/fda-registration-ce-marking-new-lateral-flow-immunoassay-reader/>. *

Primary Examiner — Anhdao Doan

(74) *Attorney, Agent, or Firm* — Casimir Jones, S.C.; Thomas A. Isenbarger

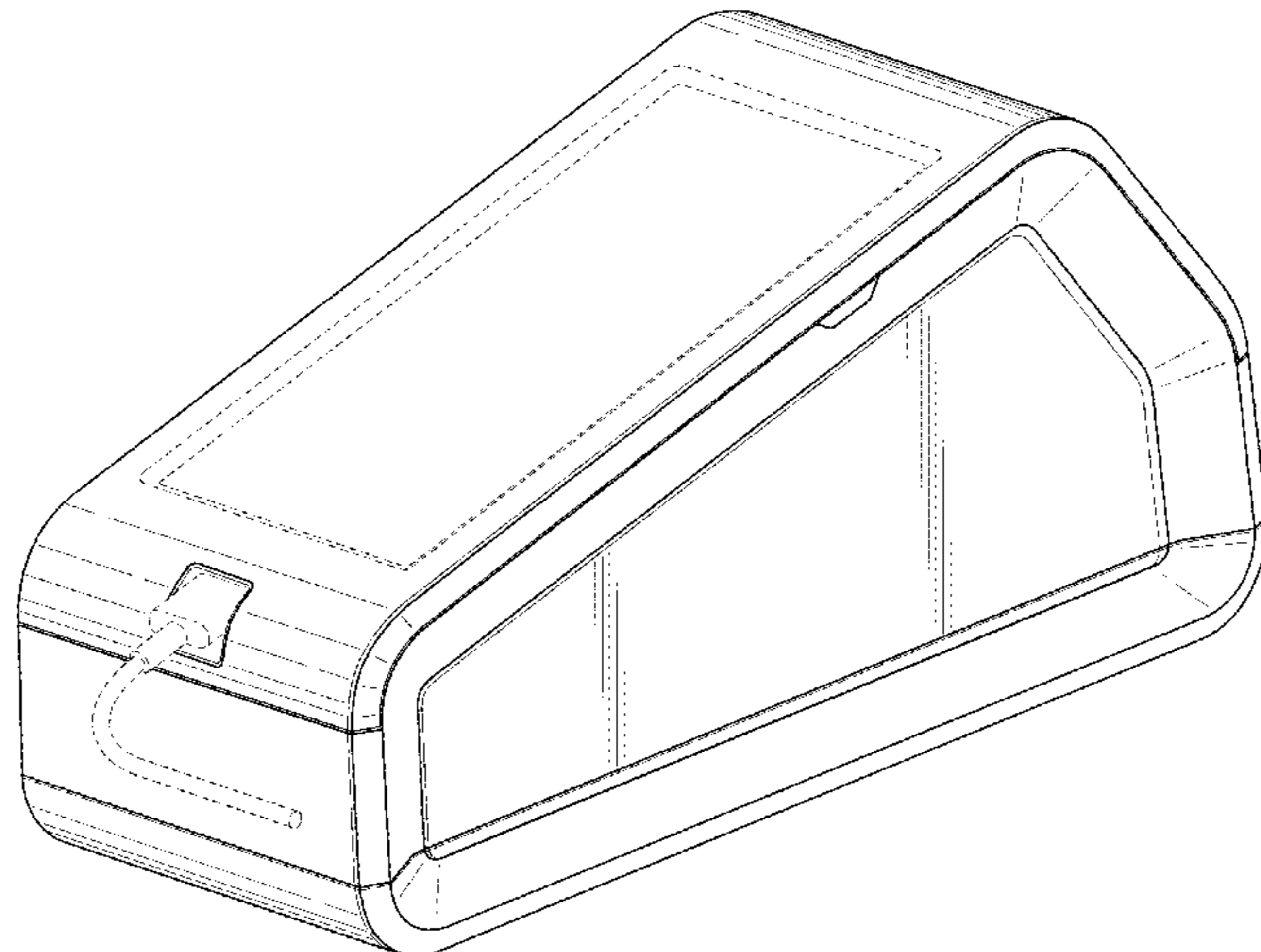
(57) **CLAIM**

We claim the ornamental design for a lateral flow assay reader apparatus, as shown and described.

DESCRIPTION

FIG. 1 is a perspective view of a lateral flow assay reader apparatus showing the new design.
FIG. 2 is a front elevational view thereof.
FIG. 3 is a top plan view thereof.
FIG. 4 is a right side elevational view thereof, the left side being a mirror image.
FIG. 5 is a bottom plan view thereof; and,
FIG. 6 is a rear elevational view thereof.

(Continued)



The cable and mobile phone shown in broken lines represent environmental structures and form no part of the claimed design; the broken lines form no part of the claimed design.

1 Claim, 6 Drawing Sheets

(56) **References Cited**

U.S. PATENT DOCUMENTS

D802,768	S *	11/2017	Rider	D24/107
D809,143	S *	1/2018	Long	D24/164
9,903,857	B2	2/2018	Polwart et al.		
10,054,584	B2	8/2018	Ehrenkranz et al.		
D829,337	S *	9/2018	Klein	D24/216
D845,503	S *	4/2019	Jensen	D24/216
D887,559	S *	6/2020	Esfandiari	D24/186
D907,795	S *	1/2021	Buie	D24/216
D922,588	S *	6/2021	Long	D24/186
2007/0131552	A1	6/2007	Jung et al.		
2013/0157351	A1	6/2013	Ozcan et al.		
2014/0057362	A1 *	2/2014	Markovsky	G01N 21/78 436/171
2015/0309008	A1	10/2015	Adelman et al.		
2016/0077091	A1	3/2016	Tyrrell et al.		
2018/0045723	A1	2/2018	Mäkinen et al.		
2019/0187139	A1 *	6/2019	Xie	G01N 33/54386
2019/0317115	A1 *	10/2019	MacLean	B01L 3/52

* cited by examiner

FIG. 1

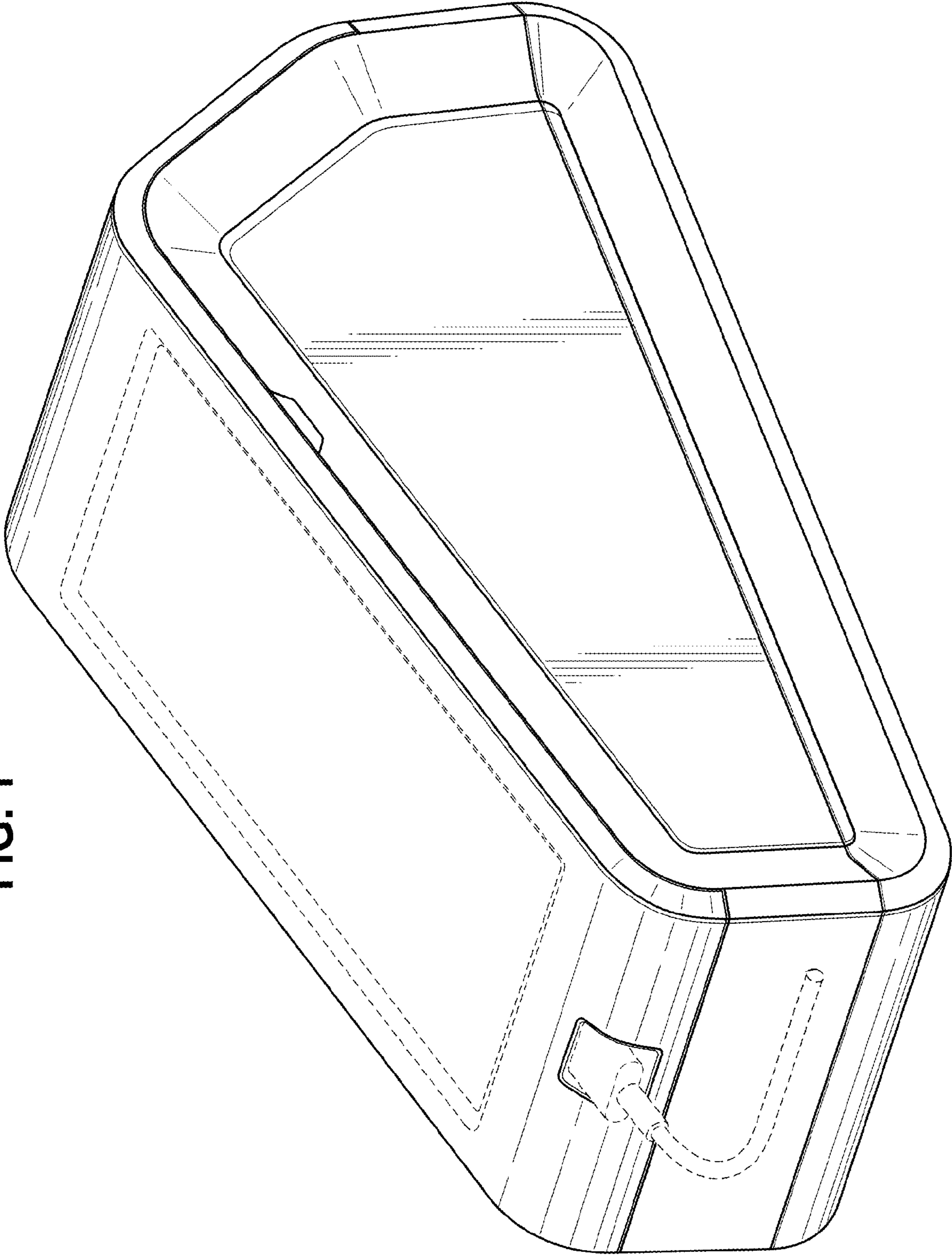


FIG. 2

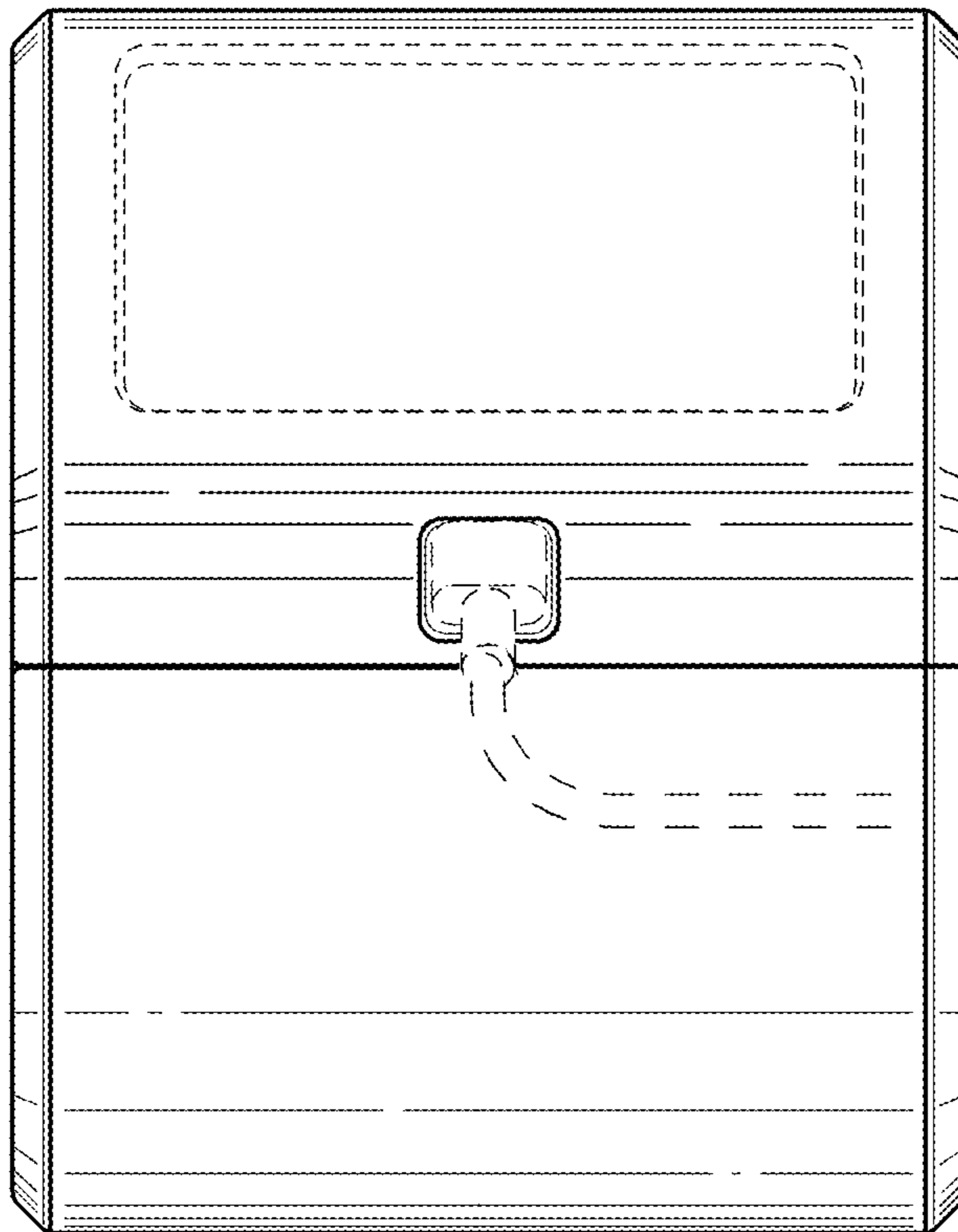


FIG. 3

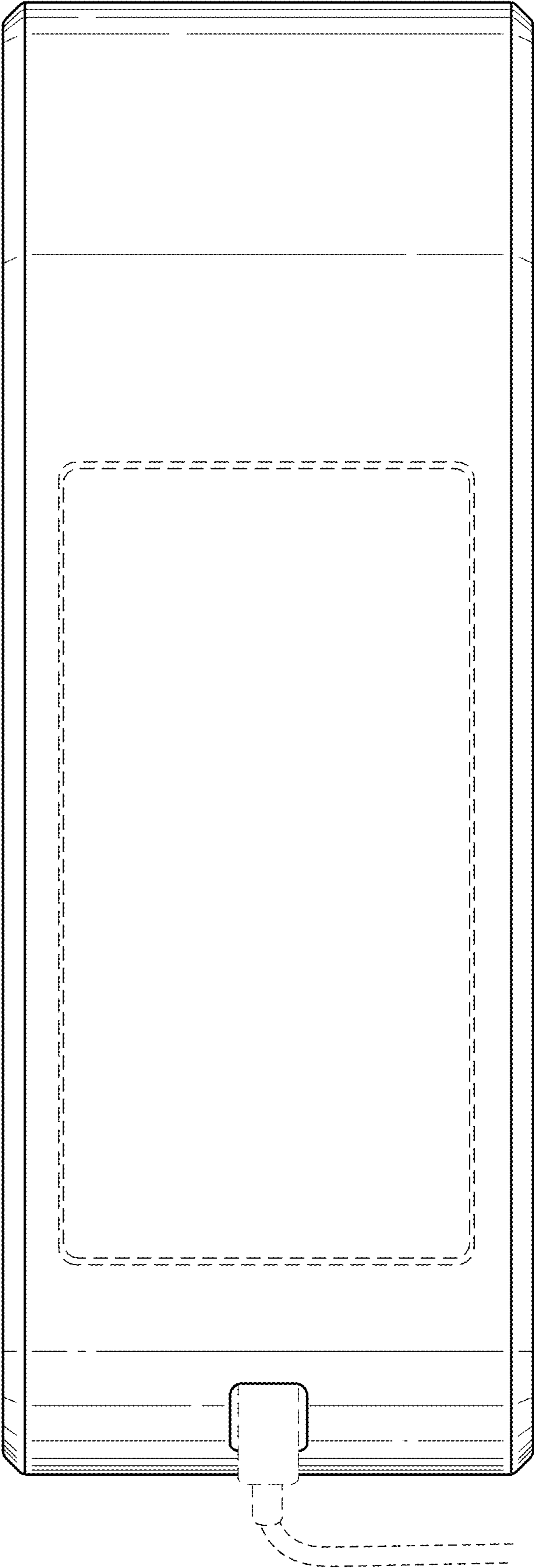


FIG. 4

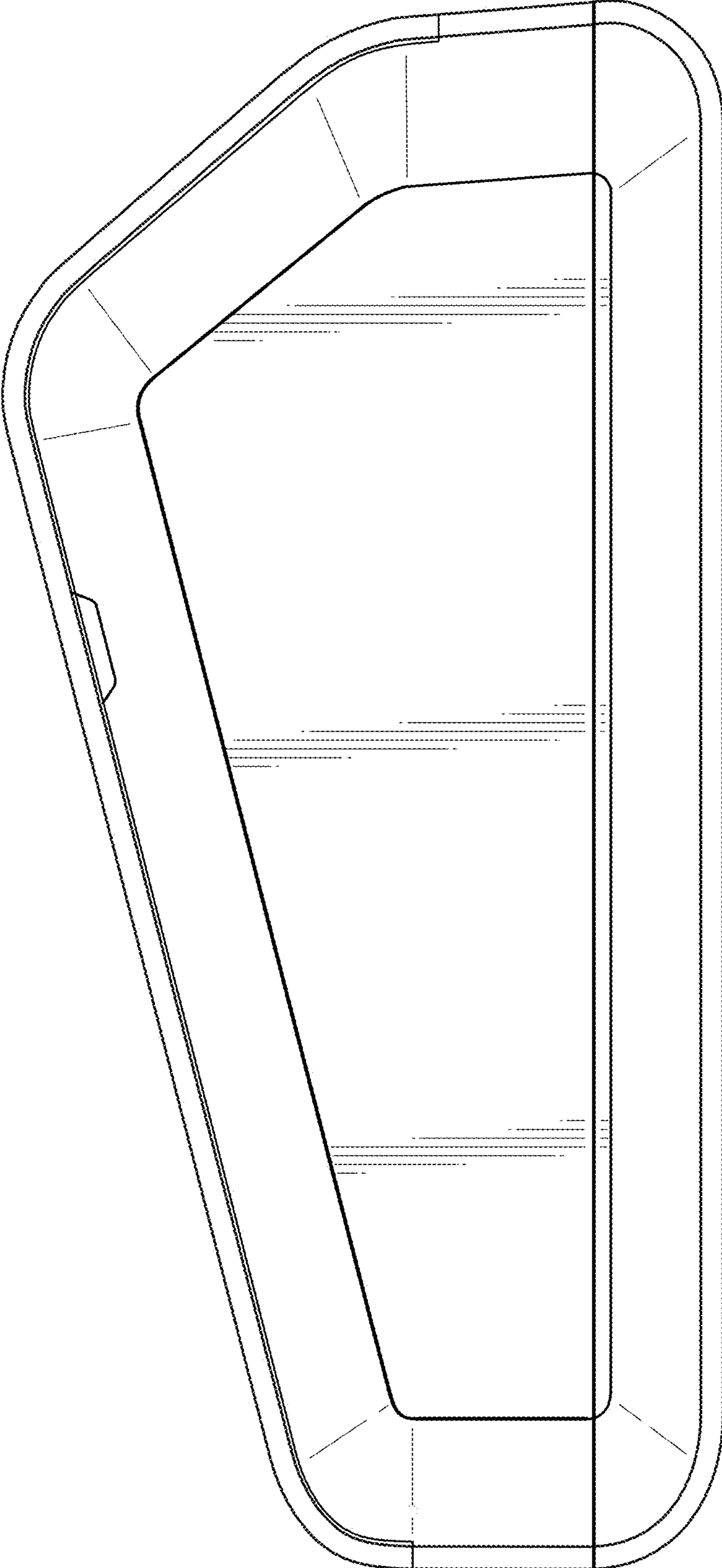


FIG. 5

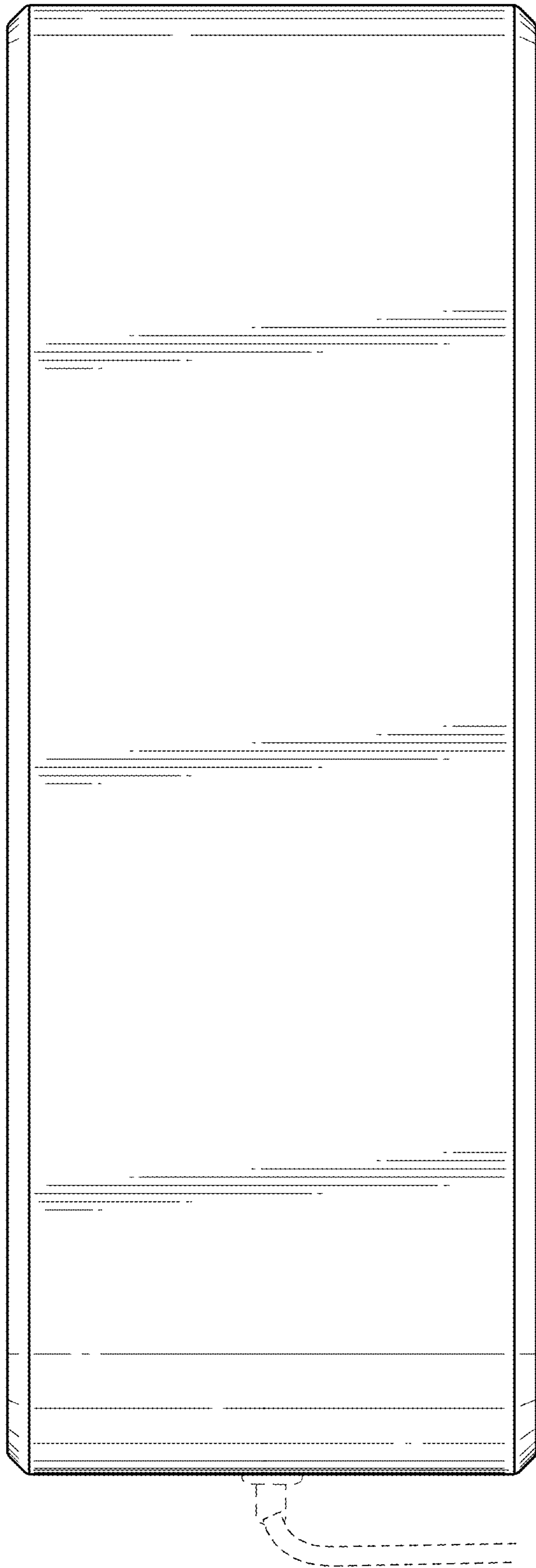


FIG. 6

