

US00D960384S

(12) **United States Design Patent**
Zhang

(10) **Patent No.:** **US D960,384 S**

(45) **Date of Patent:** **** Aug. 9, 2022**

(54) **PSOAS MUSCLE RELEASE TOOL**

(71) Applicant: **Dongdong Zhang**, Shandong (CN)

(72) Inventor: **Dongdong Zhang**, Shandong (CN)

(**) Term: **15 Years**

(21) Appl. No.: **29/778,976**

(22) Filed: **Apr. 15, 2021**

(51) **LOC (13) Cl.** **28-03**

(52) **U.S. Cl.**
USPC **D24/215**; D24/211

(58) **Field of Classification Search**
USPC D24/215, 200, 211, 212, 213, 214, 133,
D24/107, 231, 184, 188, 189, 190
CPC A61H 1/00; A61H 11/00; A61H 2011/005;
A61H 11/02; A61H 2201/1609; A61H
2201/1614; A61H 2201/1623; A61H
2205/04; A61H 2205/062; A61H 2205/08;
A61H 2205/081
See application file for complete search history.

(56) **References Cited**

U.S. PATENT DOCUMENTS

D347,558 S	6/1994	Alonzo	
D351,235 S *	10/1994	Yoo	D24/200
D373,195 S *	8/1996	Hoff	D24/211
D569,006 S *	5/2008	Imboden	D24/215
D671,612 S	11/2012	Azhocar	
D687,958 S *	8/2013	Turner	D24/215
D717,433 S *	11/2014	Samani	D24/155
D725,407 S *	3/2015	McCracken	D6/601
D823,479 S *	7/2018	Mollohan	D24/215
D863,582 S *	10/2019	Wise	D24/211
D880,717 S *	4/2020	Matsushita	D24/215
D905,180 S *	12/2020	Karvandi	D21/694

D932,803 S *	10/2021	Yang	D6/601
2021/0283000 A1 *	9/2021	Karvandi	A61H 7/001
2022/0008284 A1 *	1/2022	Smith	A61H 23/02

OTHER PUBLICATIONS

LPYSFW—Psoas Muscle Release Tool. Date: Aug. 15, 2020. [online]. [Site visited Jan. 25, 2022]. Available from Internet URL: <https://www.amazon.com/Release-Personal-Massage-Trigger-Physical/dp/B08FY88FZX> (Year: 2020).*

Muscle release tools. (Design—© Questel) orbit.com. [Online PDF compilation of references] 49 pgs. Print Dates Range Sep. 6, 2016-Sep. 21, 2020 [Retrieved Jan. 25, 2022] <https://www.orbit.com/export/UCZAH96B/pdf4/0d3cc7f9-9999-4d36-bf38-d91540d87a3b-205218.pdf> (Year: 2022).*

* cited by examiner

Primary Examiner — Susan Bennett Hattan
Assistant Examiner — Landon Thomas Cassell
(74) *Attorney, Agent, or Firm* — ScienBiziP, P.C.

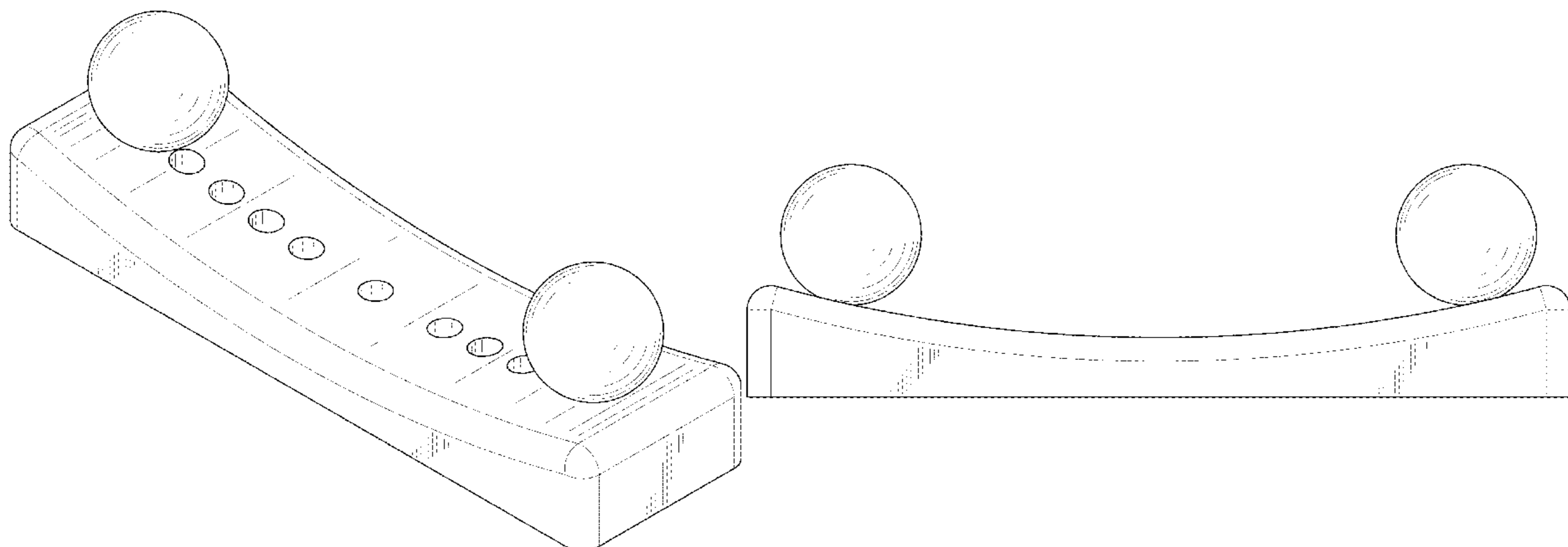
(57) **CLAIM**

The ornamental design for a psoas muscle release tool, as shown and described.

DESCRIPTION

FIG. 1 is a front, right, and top perspective view of a psoas muscle release tool, showing my design.
FIG. 2 is a front elevation view thereof.
FIG. 3 is a rear elevation view thereof.
FIG. 4 is a left side elevation view thereof.
FIG. 5 is a right side elevation view thereof.
FIG. 6 is a top plan view thereof.
FIG. 7 is a bottom plan view thereof; and,
FIG. 8 is a front, right, top perspective view of the psoas muscle release tool in FIG. 1, wherein balls are out of the base.

1 Claim, 8 Drawing Sheets



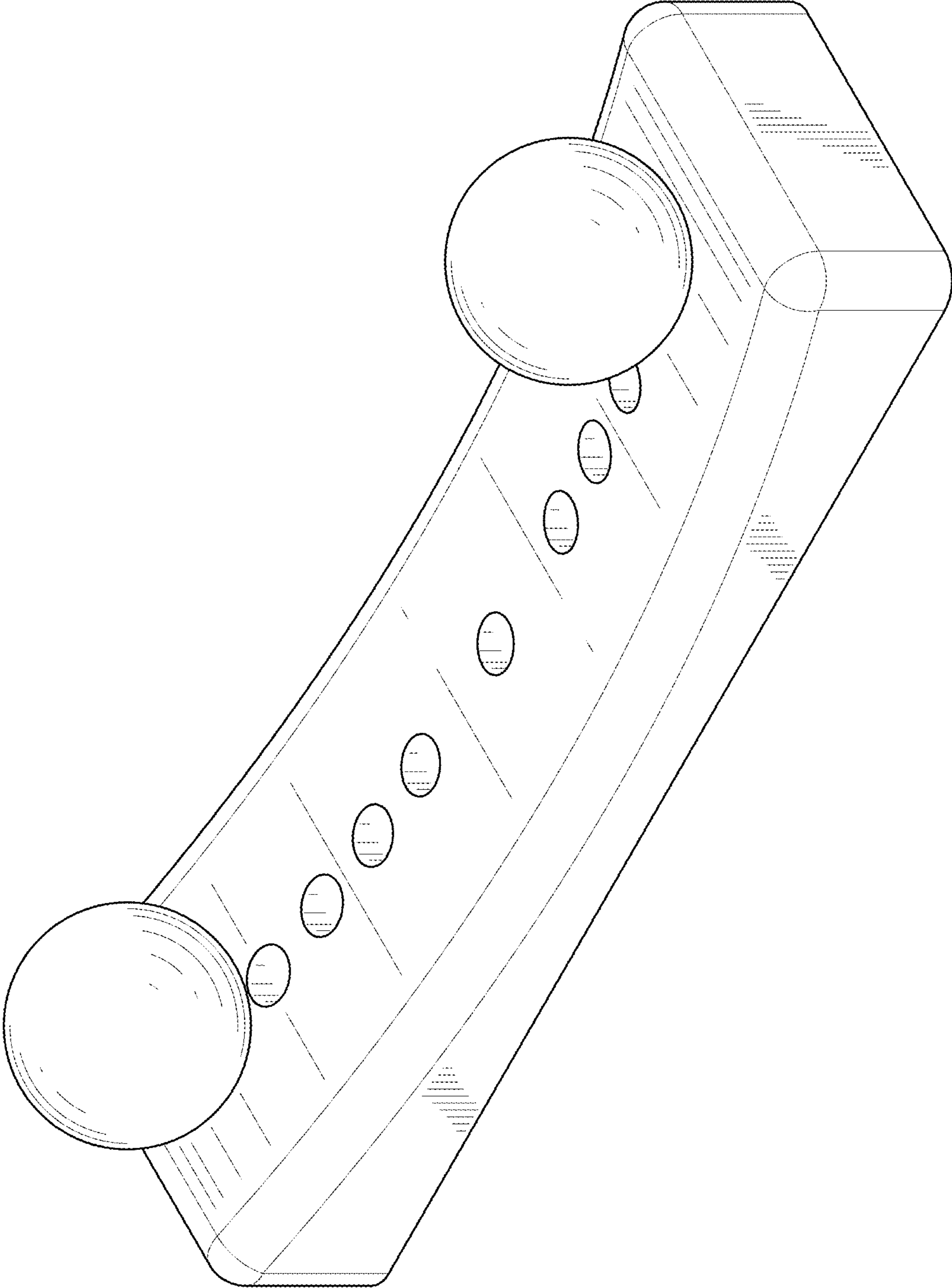


FIG.1

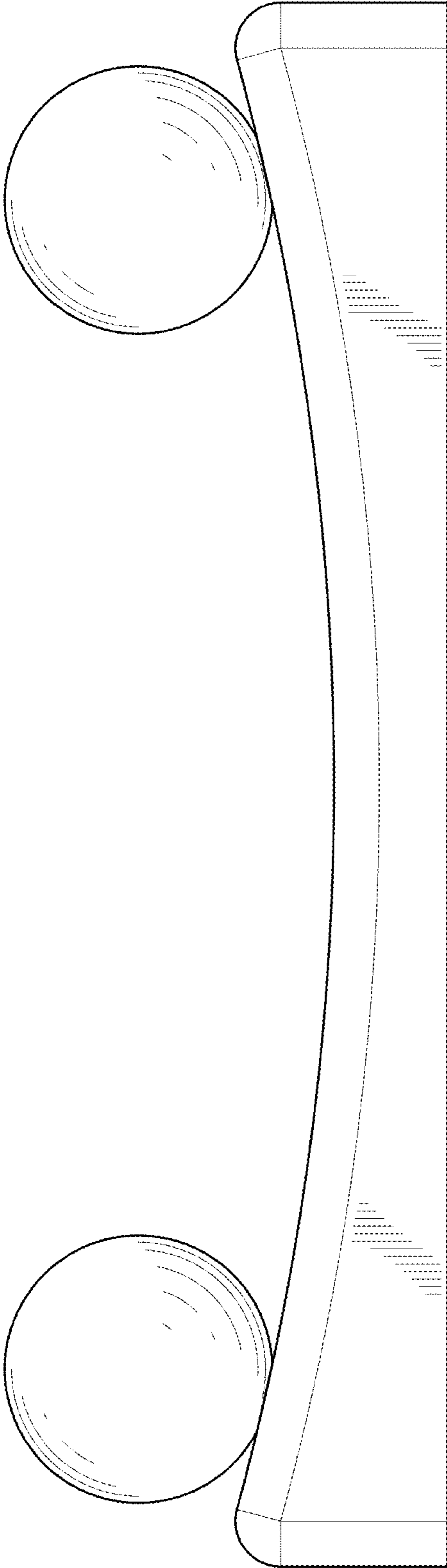


FIG.2

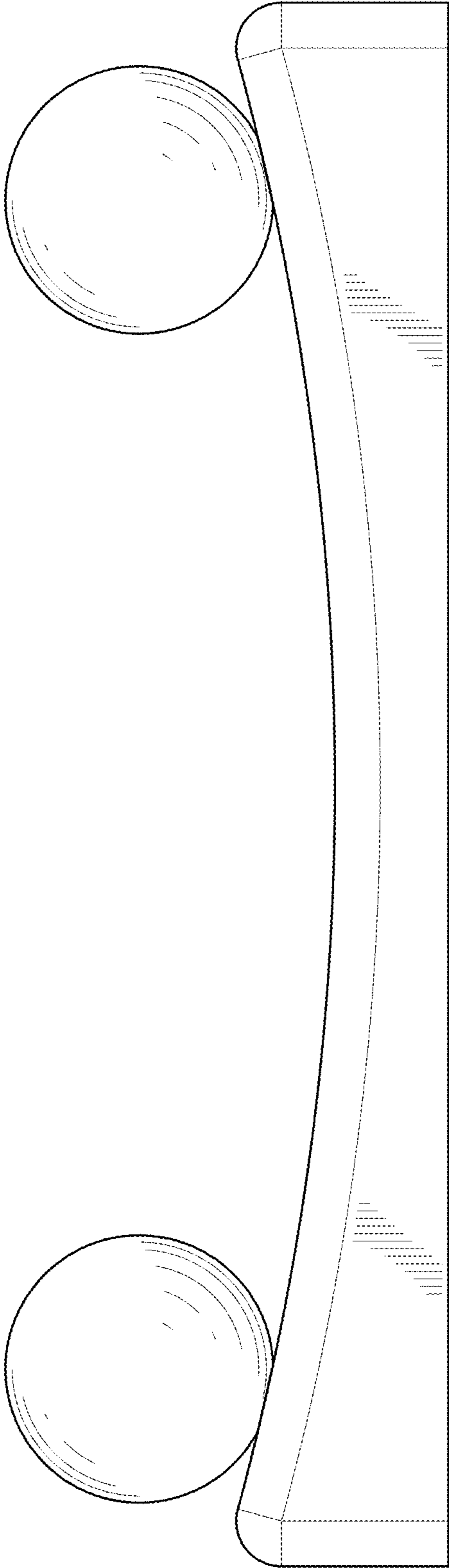


FIG.3

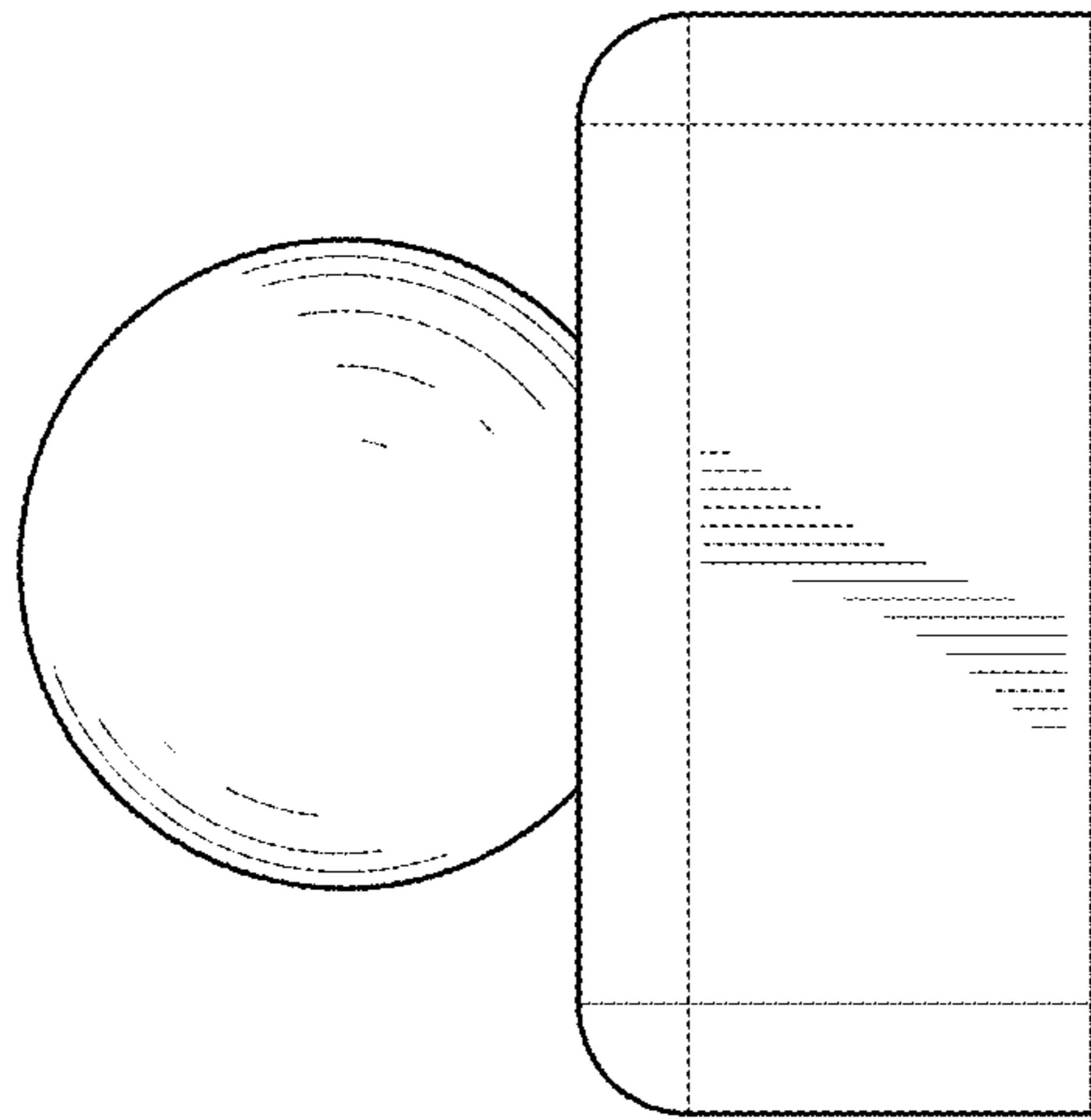


FIG.4

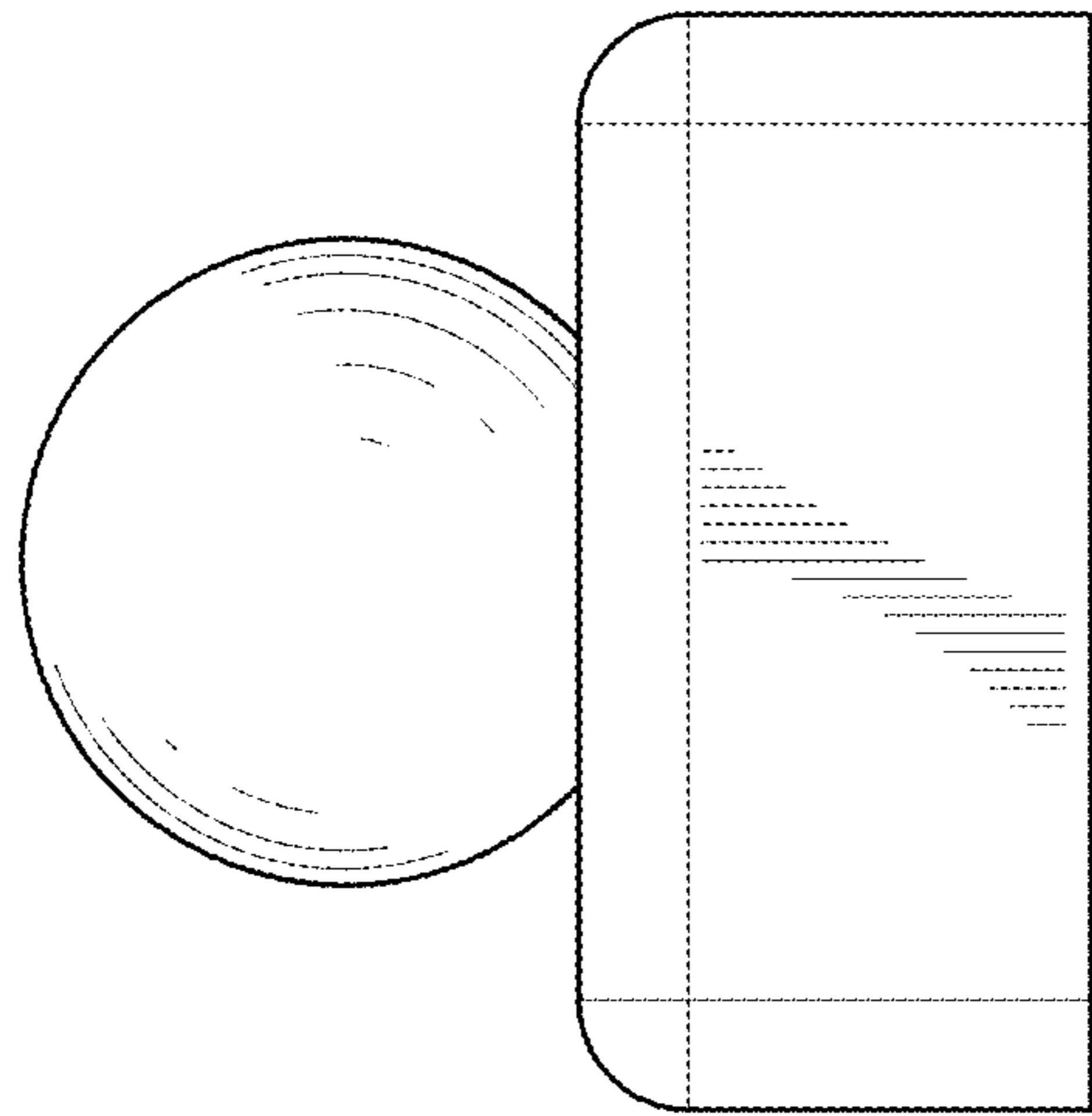


FIG.5

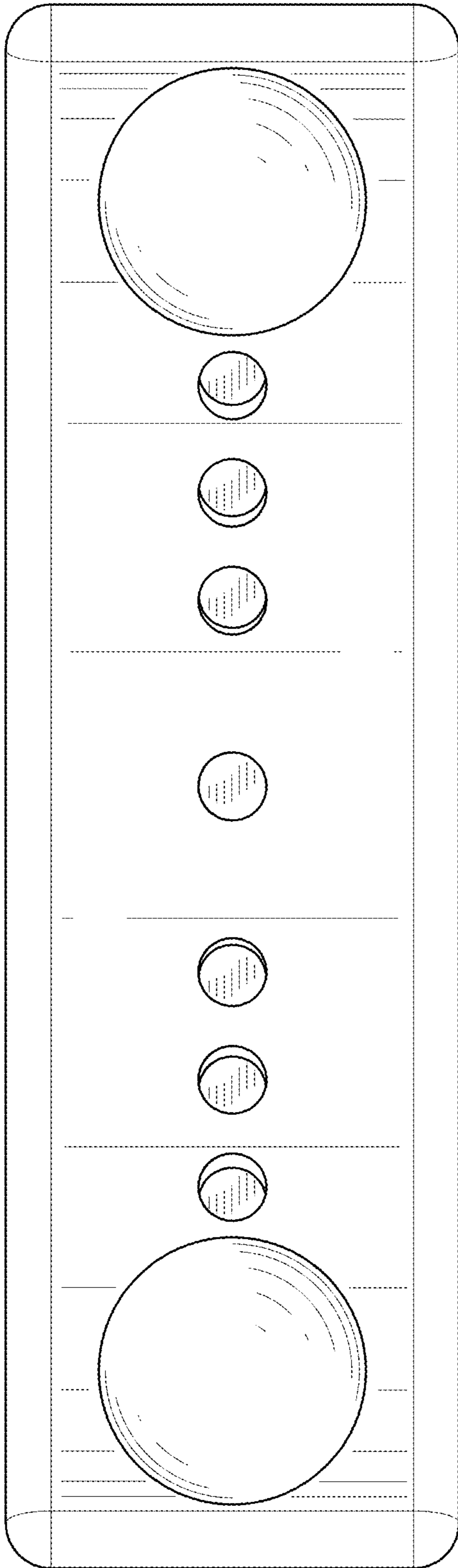


FIG.6

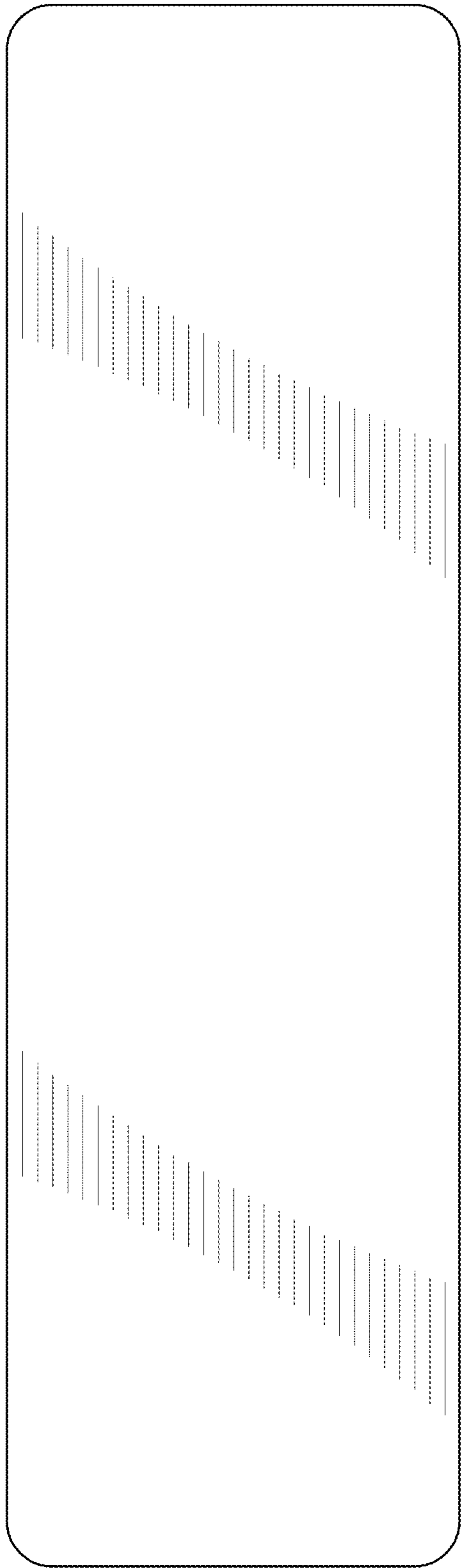


FIG.7

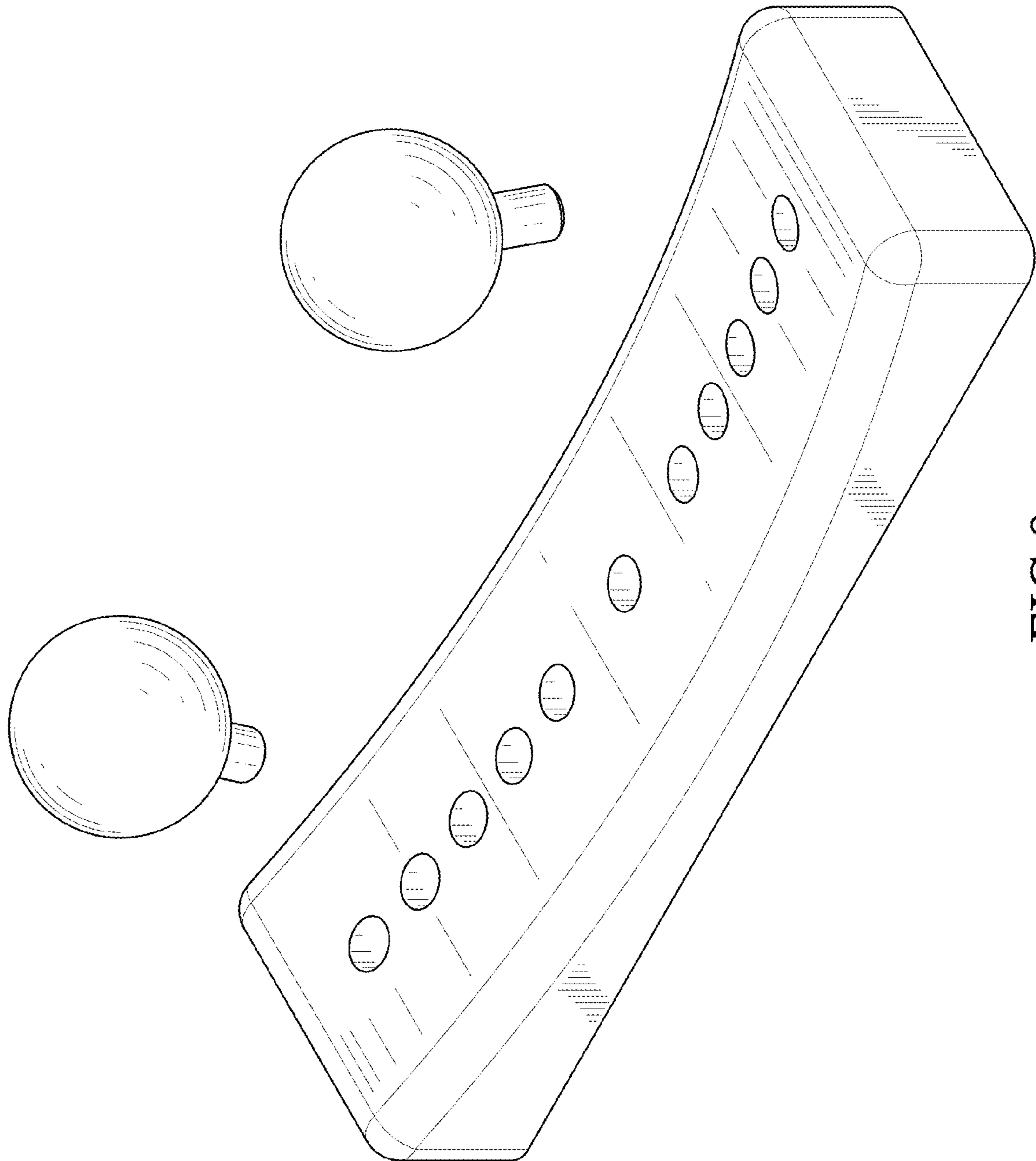


FIG.8