



US00D960381S

(12) **United States Design Patent**  
**Kobayashi et al.**

(10) **Patent No.:** **US D960,381 S**

(45) **Date of Patent:** **\*\* Aug. 9, 2022**

(54) **ORTHOSIS**

(71) Applicant: **JTEKT CORPORATION**, Osaka (JP)

(72) Inventors: **Yuki Kobayashi**, Nara (JP); **Yoshinobu Katoh**, Toyohashi (JP); **Hiromichi Ohta**, Kariya (JP); **Akihisa Umetani**, Nara (JP); **Takeshi Koyama**, Neyagawa (JP); **Yoshinori Wada**, Kashiba (JP); **Riku Nagayama**, Ikoma-gun (JP); **Madoka Hattori**, Nara (JP); **Katsuhide Kikuchi**, Saitama (JP); **Shintaro Yoshida**, Shiki (JP); **Mikio Shinohara**, Hino (JP)

(73) Assignee: **JTEKT CORPORATION**, Osaka (JP)

(\*\*) Term: **15 Years**

(21) Appl. No.: **29/762,555**

(22) Filed: **Dec. 17, 2020**

(30) **Foreign Application Priority Data**

Aug. 21, 2020 (JP) ..... 2020-017537 D

(51) **LOC (13) Cl.** ..... **24-02**

(52) **U.S. Cl.**  
USPC ..... **D24/190**

(58) **Field of Classification Search**  
USPC ..... D24/188, 190-192, 200, 206, 214, 215,  
D24/171, 199, 212, 213, 184, 189;  
D29/120.1, 121.2, 121.1, 122, 113, 114,  
D29/100-101.3, 103, 106, 108, 111,  
D29/101.4, 101.5, 124  
CPC ..... A61H 1/0244; A61H 1/0262  
See application file for complete search history.

(56) **References Cited**

**U.S. PATENT DOCUMENTS**

D323,909 S \* 2/1992 Dewart ..... D29/101.1  
D337,975 S \* 8/1993 Keller ..... D12/128

D339,217 S \* 9/1993 McCue ..... D29/101.1  
D342,348 S \* 12/1993 Panarelli ..... D29/101.1  
D348,153 S \* 6/1994 Eldridge ..... D29/101.1  
D354,813 S \* 1/1995 Pujals, Jr. .... D24/190  
D374,313 S \* 10/1996 Munoz ..... D24/190  
D377,833 S \* 2/1997 Schwartz ..... D24/190

(Continued)

**FOREIGN PATENT DOCUMENTS**

EM 008619738-0001 \* 7/2021  
JP D2020-010173 5/2020  
JP D2020-010174 5/2020

*Primary Examiner* — T Chase Nelson

*Assistant Examiner* — Kelly L Gross

(74) *Attorney, Agent, or Firm* — Oblon, McClelland,  
Maier & Neustadt, L.L.P.

(57) **CLAIM**

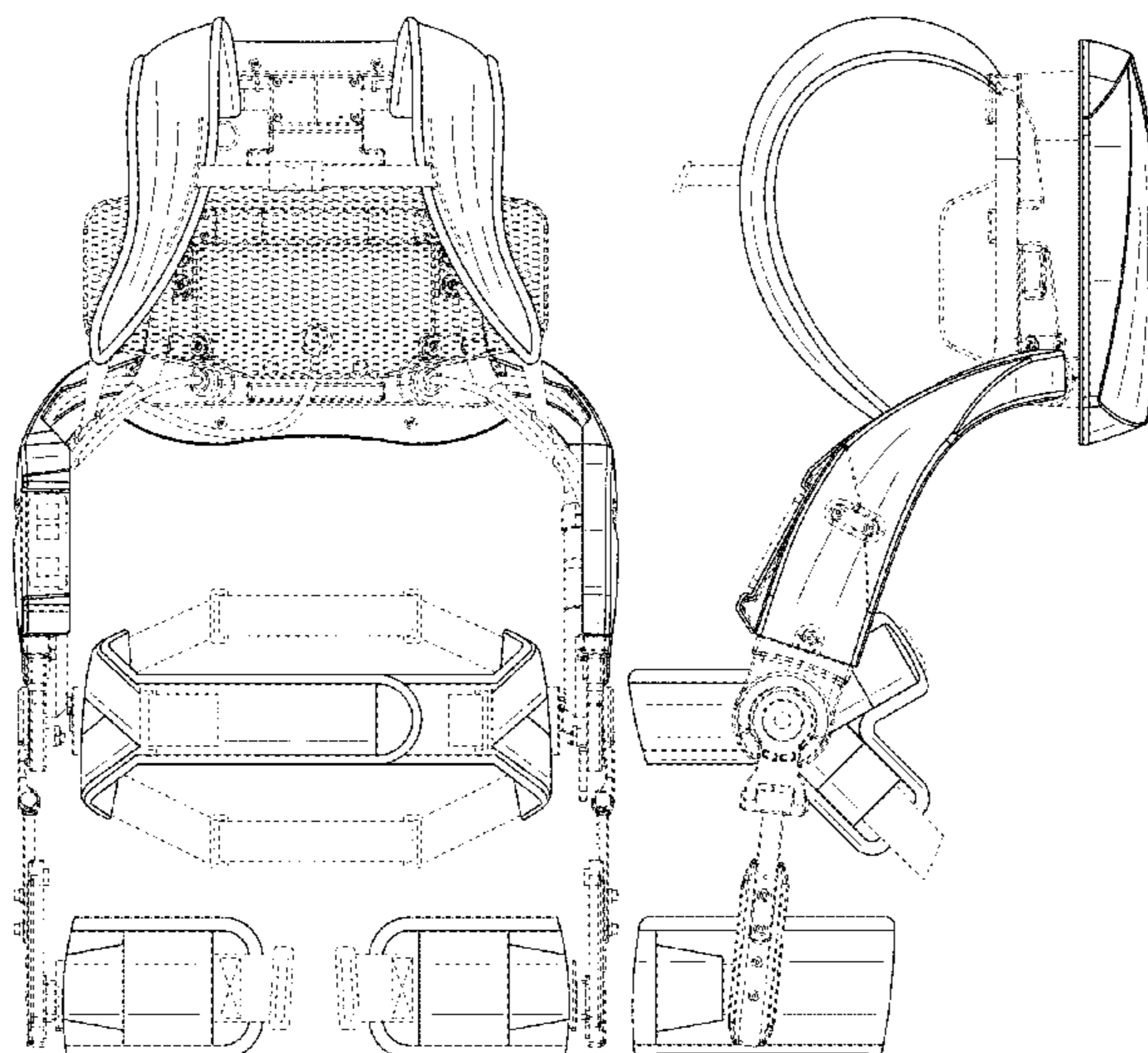
The ornamental design for an orthosis, as shown and described.

**DESCRIPTION**

FIG. 1 is a front view of an orthosis showing our new design; FIG. 2 is a rear view thereof; FIG. 3 is a left side view thereof; FIG. 4 is a right side view thereof; FIG. 5 is a top view thereof; FIG. 6 is a bottom view thereof; FIG. 7 is a front view of the orthosis in use; FIG. 8 is a rear view thereof; FIG. 9 is a right side view thereof; and, FIG. 10 is a bottom view thereof.

The broken line showing of a human figure in FIGS. 7-10 is for the purpose of showing the orthosis in a condition of use. The remaining broken lines in the figures indicate the unclaimed portions of the orthosis. All of the broken lines and the figures they depict form no part of the claimed design.

**1 Claim, 10 Drawing Sheets**



(56)

References Cited

U.S. PATENT DOCUMENTS

D381,428 S \* 7/1997 Torok ..... D24/190  
 D388,550 S \* 12/1997 Seering ..... D29/101.1  
 D391,682 S \* 3/1998 Palembang ..... D29/101.1  
 D411,576 S \* 6/1999 Hames ..... D2/829  
 D447,838 S \* 9/2001 Masuda ..... D29/101.1  
 D453,398 S \* 2/2002 Masuda ..... D29/101.4  
 D454,986 S \* 3/2002 Casebolt ..... D29/101.1  
 D457,965 S \* 5/2002 Firer ..... D24/190  
 D462,497 S \* 9/2002 Talamantes ..... D29/101.1  
 D508,994 S \* 8/2005 Hostetler ..... D24/128  
 D509,627 S \* 9/2005 Willows ..... D29/101.2  
 D512,535 S \* 12/2005 Willows ..... D29/101.2  
 D556,383 S \* 11/2007 Petzl ..... D29/101.1  
 D597,708 S \* 8/2009 Basenberg, Jr. .... D29/101.4  
 D612,059 S \* 3/2010 Haney ..... D24/188  
 D614,862 S \* 5/2010 Votel ..... D3/216  
 7,744,511 B2 \* 6/2010 Grigoriev ..... A63B 21/4011  
 482/124  
 D621,549 S \* 8/2010 Johnson ..... D29/101.2  
 D640,008 S \* 6/2011 Johnson ..... D29/101.2  
 D641,155 S \* 7/2011 Tinius ..... D3/228  
 D641,524 S \* 7/2011 Graham ..... D29/101.4  
 D641,975 S \* 7/2011 Tinius ..... D3/228  
 D646,851 S \* 10/2011 Johnson ..... D29/101.2  
 D658,300 S \* 4/2012 Rhijn ..... D24/190  
 D658,301 S \* 4/2012 Rhijn ..... D24/190  
 8,272,074 B1 \* 9/2012 Ashline ..... A42B 3/0473  
 2/421  
 D668,021 S \* 10/2012 Peoples ..... D2/731  
 D668,393 S \* 10/2012 Hogbin ..... D29/101.1  
 D732,241 S \* 6/2015 Couzyn ..... D29/101.1  
 D739,086 S \* 9/2015 Grove ..... D29/101.4  
 D745,218 S \* 12/2015 Manley ..... D29/101.4  
 D749,227 S \* 2/2016 Takama ..... D24/190  
 D759,898 S \* 6/2016 Allan ..... D29/101.1  
 D765,916 S \* 9/2016 Allan ..... D29/101.1  
 D765,917 S \* 9/2016 Allan ..... D29/101.1  
 9,456,919 B2 \* 10/2016 Pollack ..... A61F 5/026  
 D774,198 S \* 12/2016 Farris ..... D24/188  
 9,522,077 B1 \* 12/2016 Johnson ..... A61F 5/02  
 D781,430 S \* 3/2017 Konishi ..... D24/190  
 9,610,188 B2 \* 4/2017 Walsh ..... A63B 53/10  
 9,782,892 B2 \* 10/2017 Angold ..... A61H 3/00  
 D805,254 S \* 12/2017 Lopez ..... D29/101.1  
 D806,884 S \* 1/2018 Rybchinskaia ..... D24/190  
 9,895,254 B2 \* 2/2018 Bieber ..... A61F 5/3738  
 D811,726 S \* 3/2018 Lambo ..... D3/216  
 D831,276 S \* 10/2018 Pennington, Jr. .... D29/101.1  
 10,213,356 B2 \* 2/2019 Glaister ..... A61H 1/0237  
 D843,662 S \* 3/2019 Green-Mullins ..... D29/101.1

10,222,859 B2 \* 3/2019 Rubin ..... A63F 13/21  
 D849,327 S \* 5/2019 Lopez ..... D29/101.1  
 D851,334 S \* 6/2019 Green Mullins ..... D29/101.1  
 D851,843 S \* 6/2019 Gleim ..... D30/145  
 D856,591 S \* 8/2019 Davies ..... A61H 1/0255  
 D29/101.1  
 10,537,147 B1 \* 1/2020 Ashline ..... A42B 3/08  
 10,588,771 B2 \* 3/2020 Holscher ..... A61F 5/01  
 D887,012 S \* 6/2020 Son ..... A61H 1/0274  
 D24/190  
 D887,013 S \* 6/2020 Son ..... A61H 1/0244  
 D24/190  
 D889,672 S \* 7/2020 Takama ..... B25J 9/104  
 D24/190  
 D891,492 S \* 7/2020 Kawaguchi ..... A61H 1/0292  
 D15/199  
 D891,546 S \* 7/2020 Li ..... A61F 5/0102  
 D21/694  
 D892,186 S \* 8/2020 Kawaguchi ..... B25J 9/0006  
 D15/199  
 D895,128 S \* 9/2020 Khubani ..... D24/190  
 10,799,409 B2 \* 10/2020 Rydstrom ..... A61G 7/1051  
 D901,023 S \* 11/2020 Park ..... B25J 9/1638  
 D24/190  
 D902,527 S \* 11/2020 Lin ..... A61H 1/0244  
 D2/702  
 D903,881 S \* 12/2020 Ohta ..... D24/190  
 D921,734 S \* 6/2021 Kim ..... A61H 3/00  
 D15/199  
 D927,072 S \* 8/2021 Gehlhausen ..... D29/101.5  
 11,103,414 B2 \* 8/2021 Murakami ..... A61B 5/4851  
 D933,302 S \* 10/2021 Wilson ..... D29/101.1  
 D946,771 S \* 3/2022 Sato ..... D29/101.1  
 D947,388 S \* 3/2022 Katoh ..... D29/100  
 D947,390 S \* 3/2022 Katoh ..... D29/100  
 2016/0229049 A1 \* 8/2016 Angold ..... A61F 5/0111  
 2016/0250093 A1 \* 9/2016 Koren ..... A61H 1/0244  
 623/30  
 2018/0078442 A1 \* 3/2018 Zoss ..... A61H 1/0255  
 2018/0272525 A1 \* 9/2018 Kumeno ..... B25J 9/1638  
 2018/0338881 A1 \* 11/2018 Ohtsubo ..... A61H 1/0244  
 2019/0152047 A1 \* 5/2019 Tosh ..... A61F 5/0123  
 2019/0358807 A1 \* 11/2019 Ohta ..... B25J 9/0006  
 2020/0179218 A1 \* 6/2020 Katoh ..... A61H 1/0244  
 2021/0077839 A1 \* 3/2021 Arai ..... B25J 9/0006  
 2021/0078162 A1 \* 3/2021 Yoshimi ..... B25J 9/104  
 2021/0128389 A1 \* 5/2021 Ohta ..... A61H 1/0292  
 2021/0137722 A1 \* 5/2021 Arai ..... A61F 5/0102  
 2021/0291354 A1 \* 9/2021 Kobayashi ..... A61H 1/0244  
 2021/0361516 A1 \* 11/2021 Ohta ..... A61H 1/0274  
 2021/0369534 A1 \* 12/2021 Kobayashi ..... A61H 1/0244

\* cited by examiner

FIG. 1

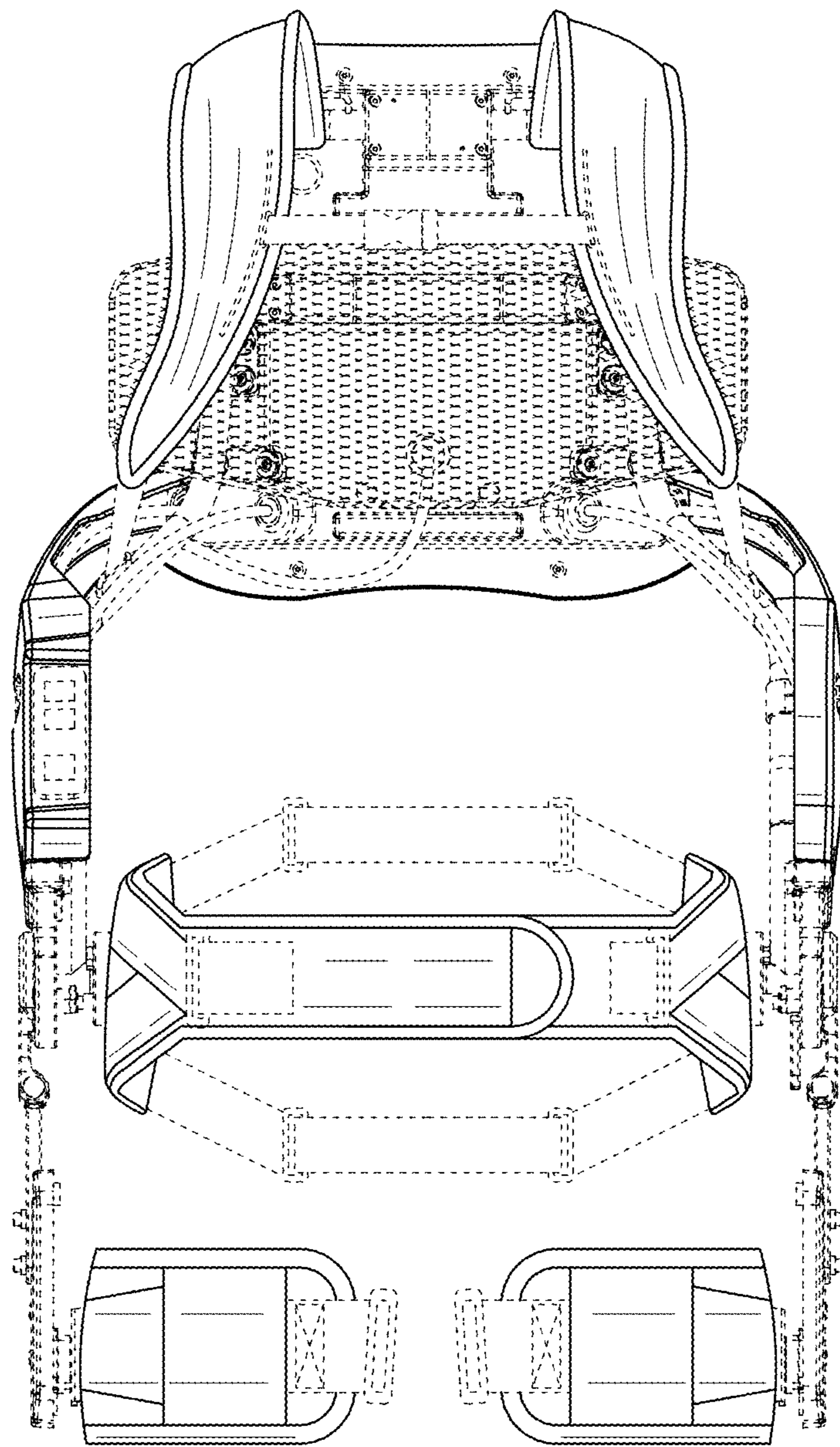


FIG. 2

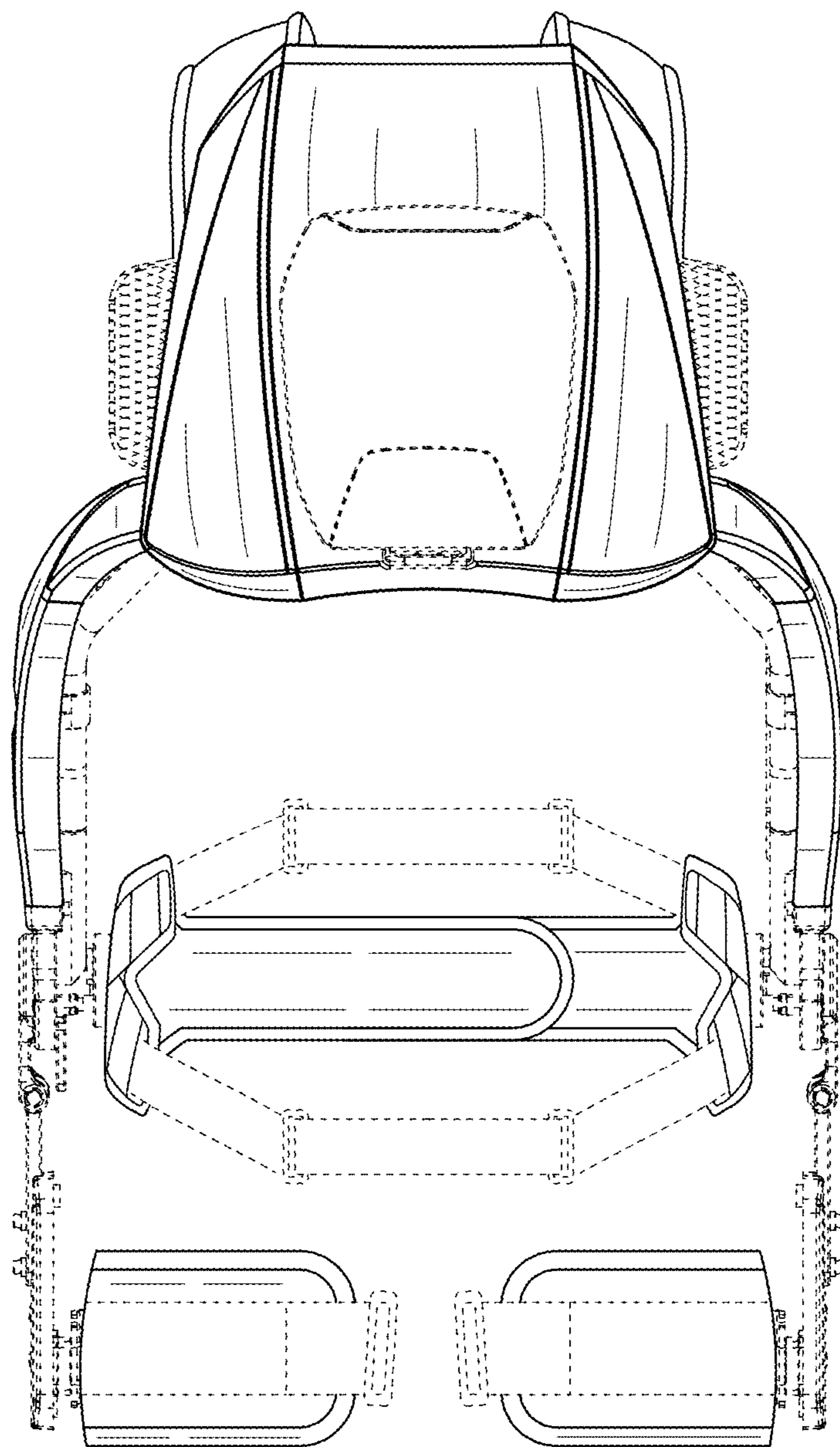


FIG. 3

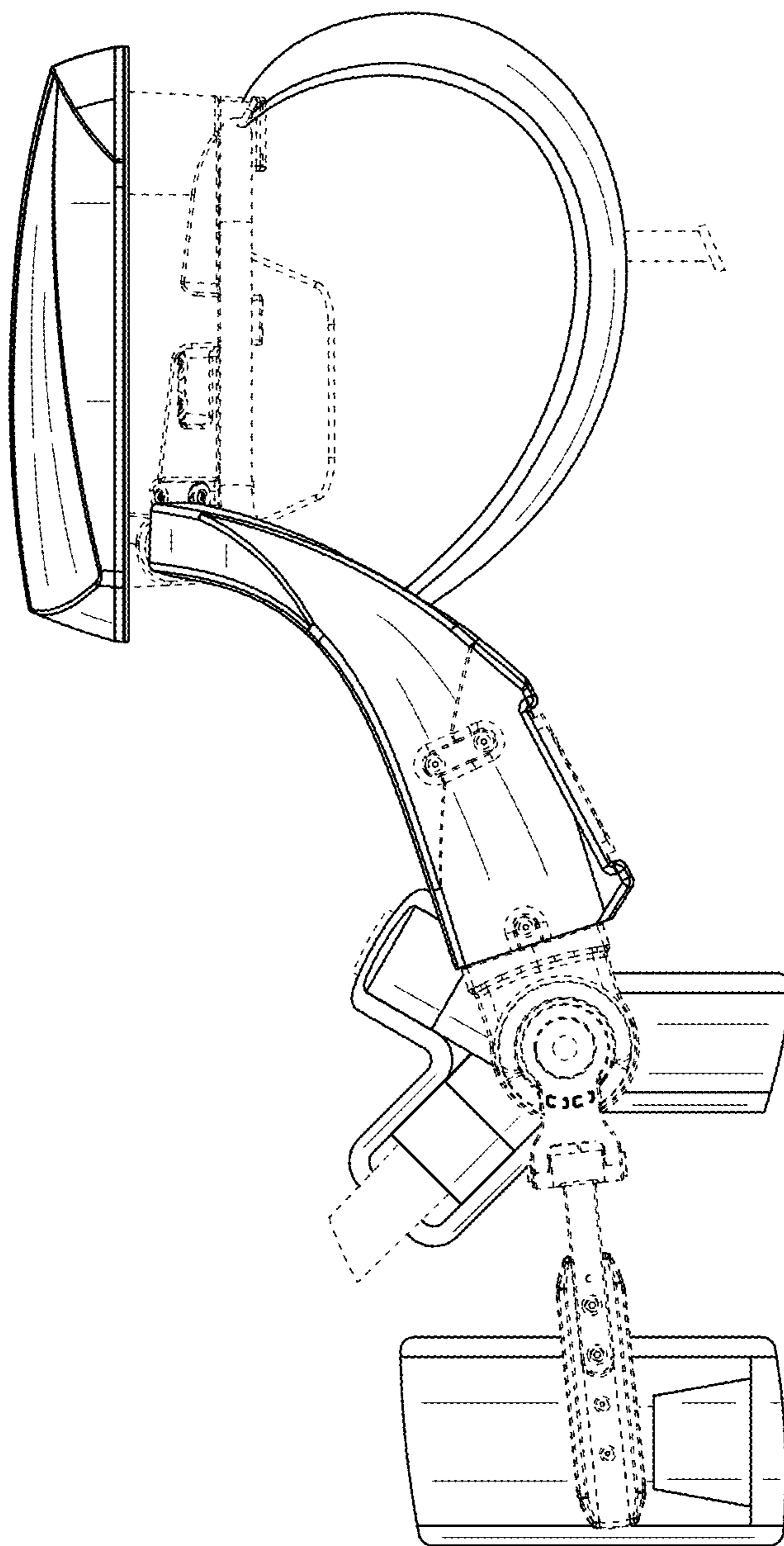


FIG. 4

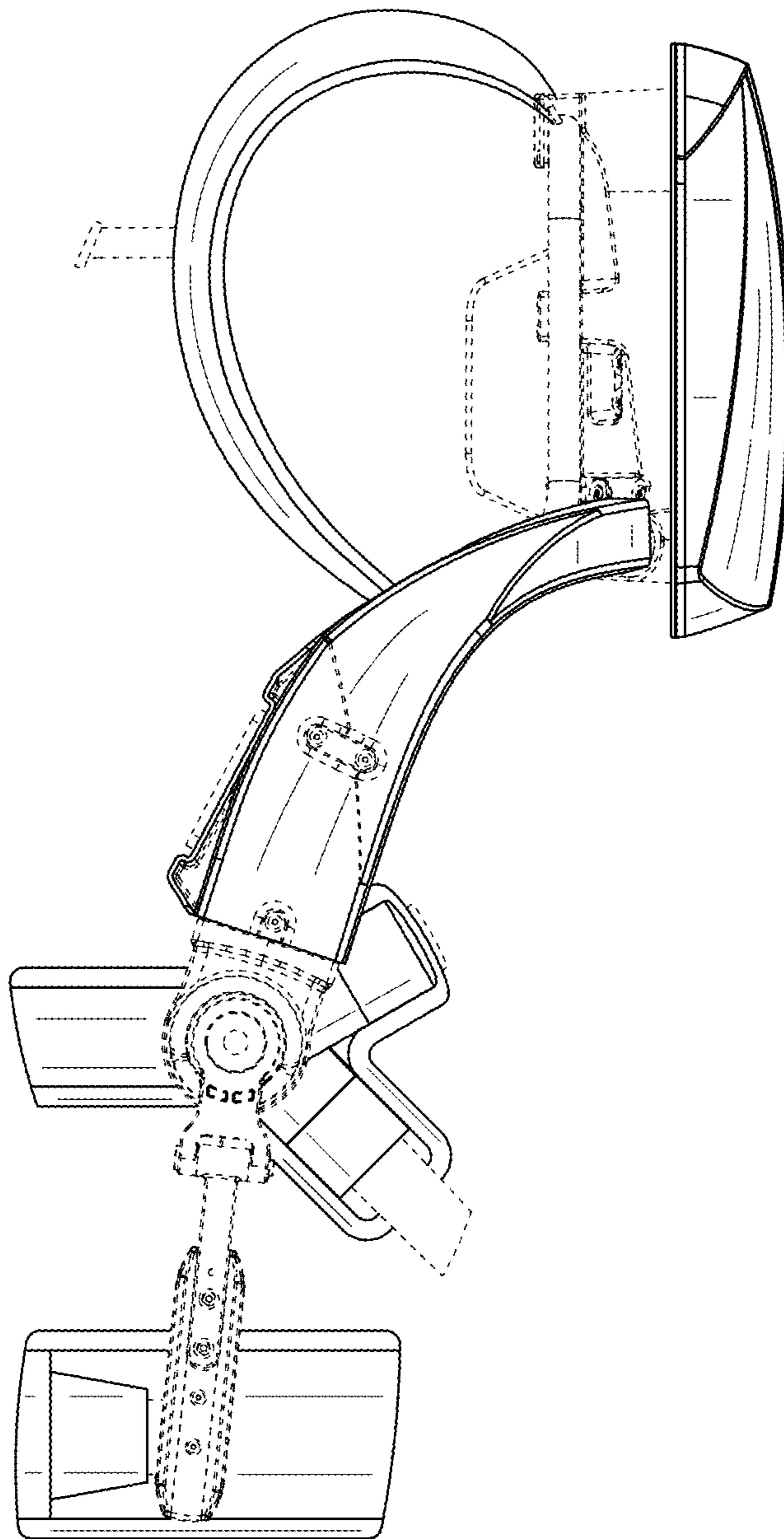


FIG. 5

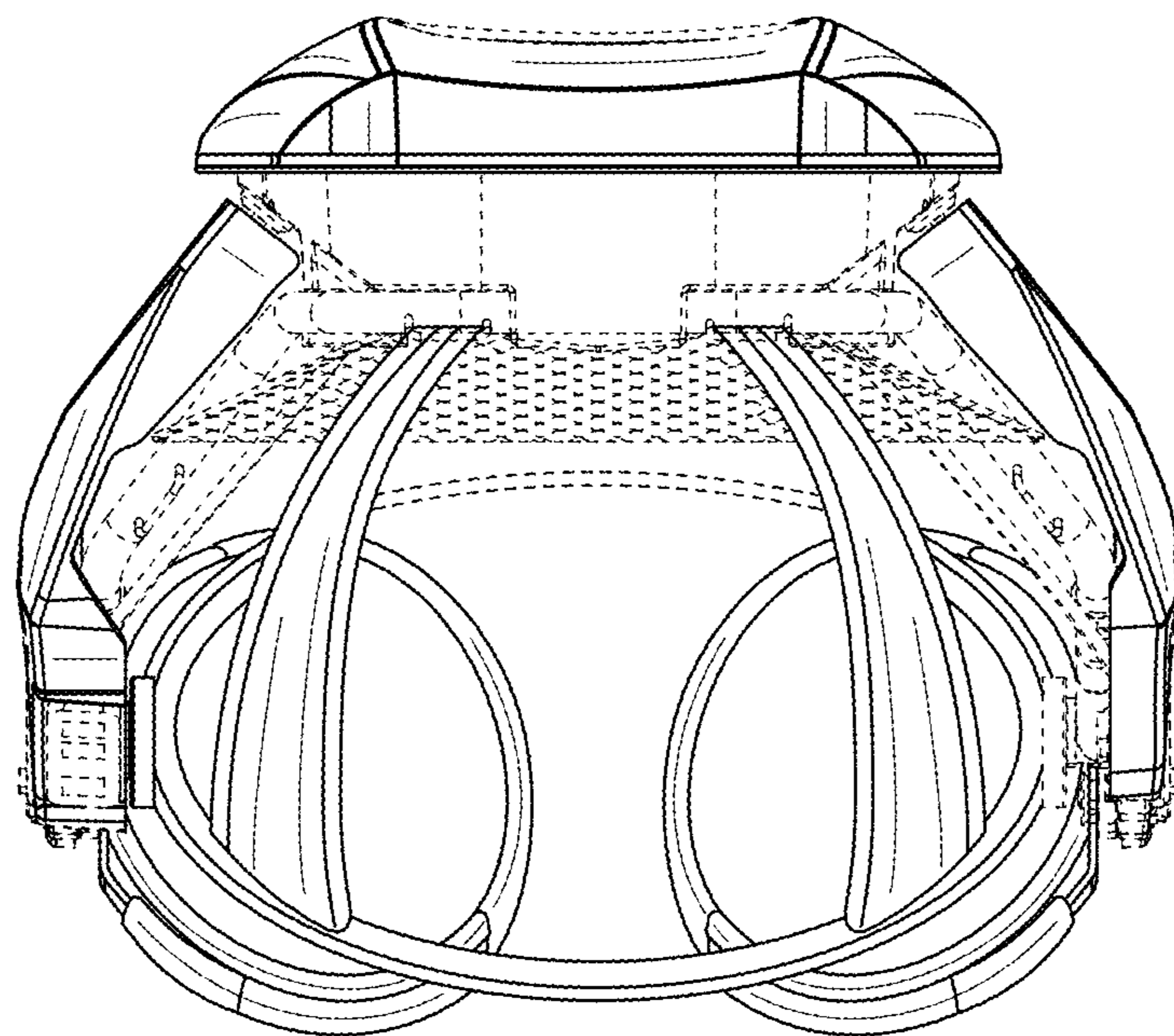


FIG. 6

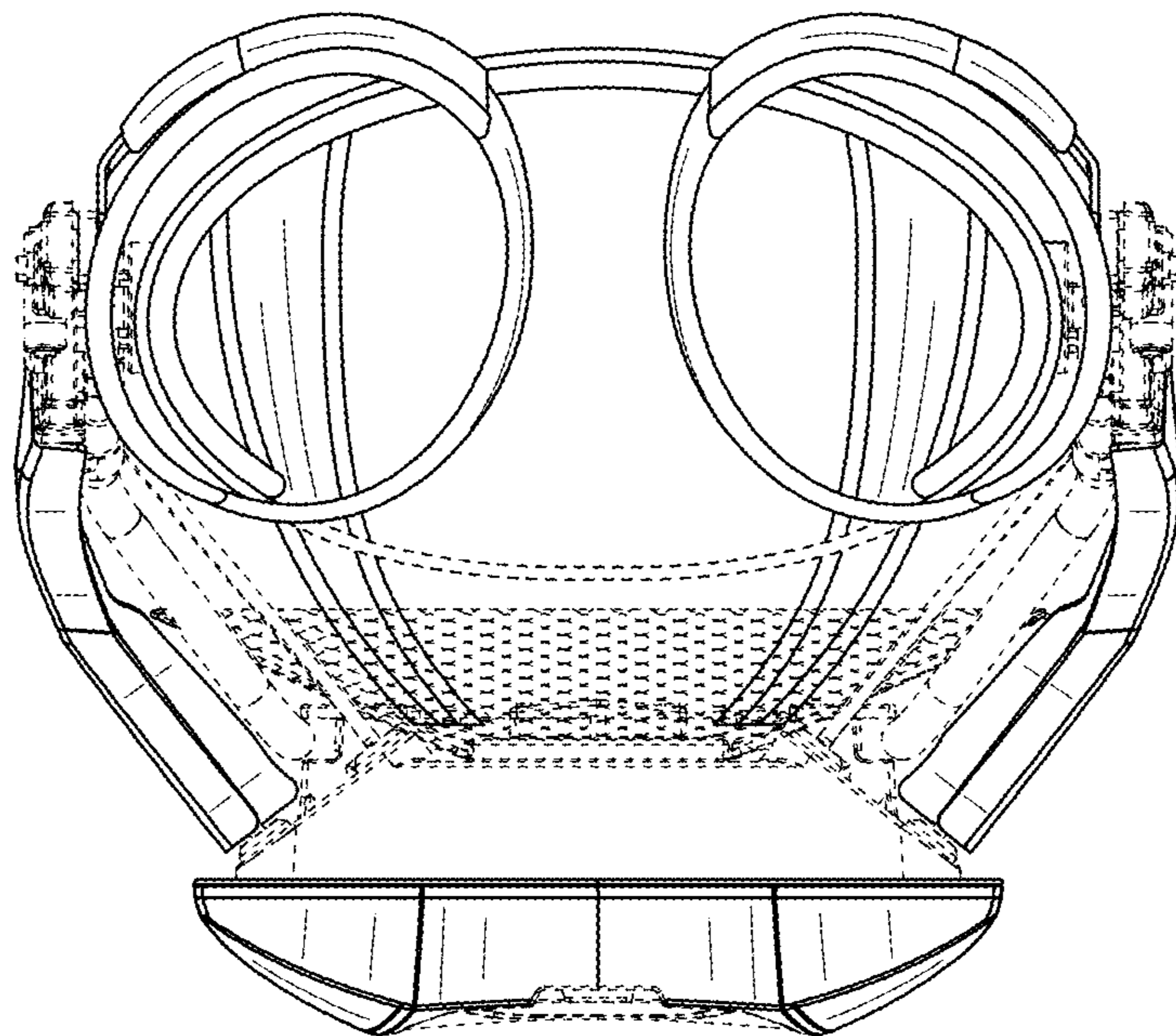




FIG. 7

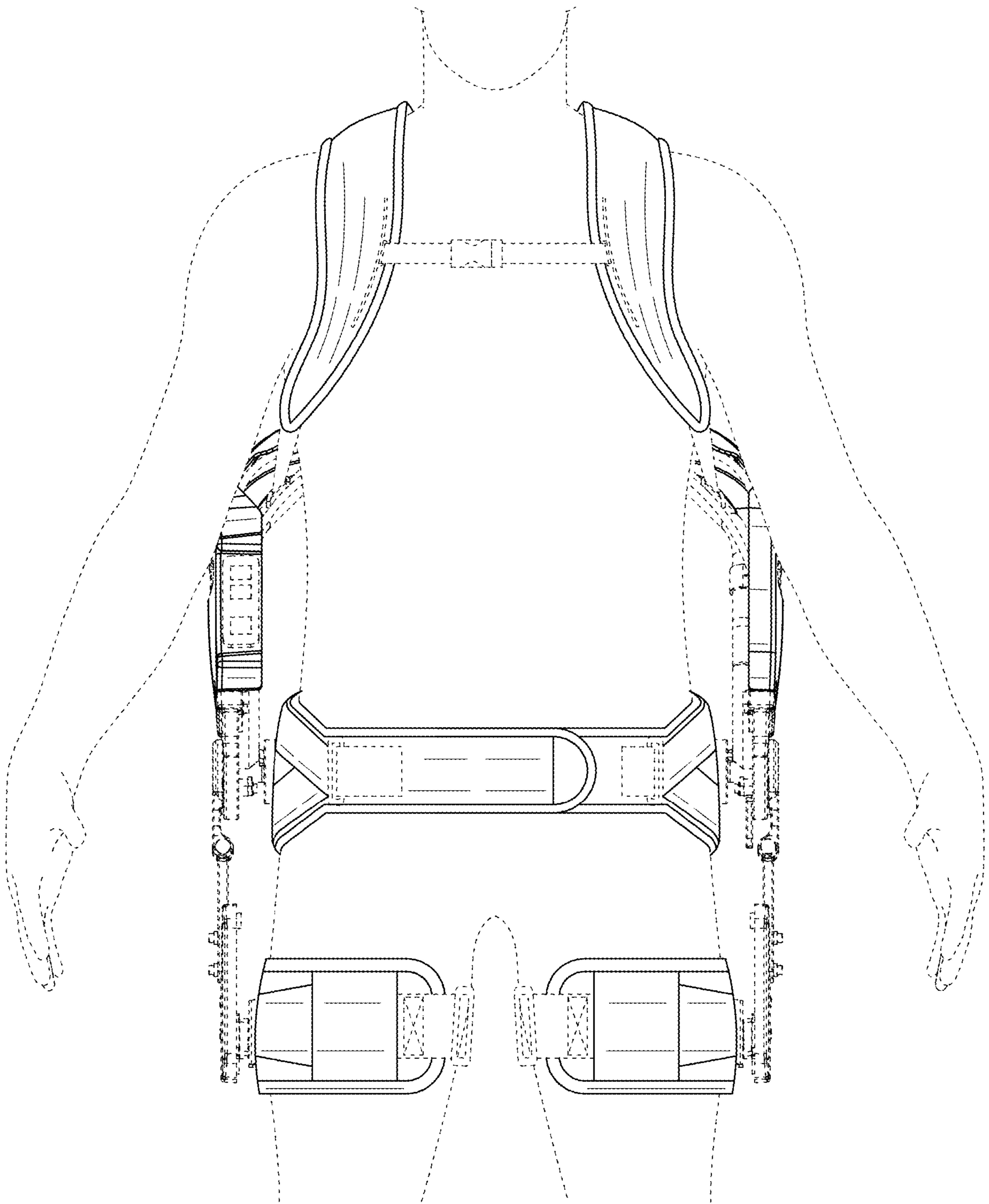


FIG. 8

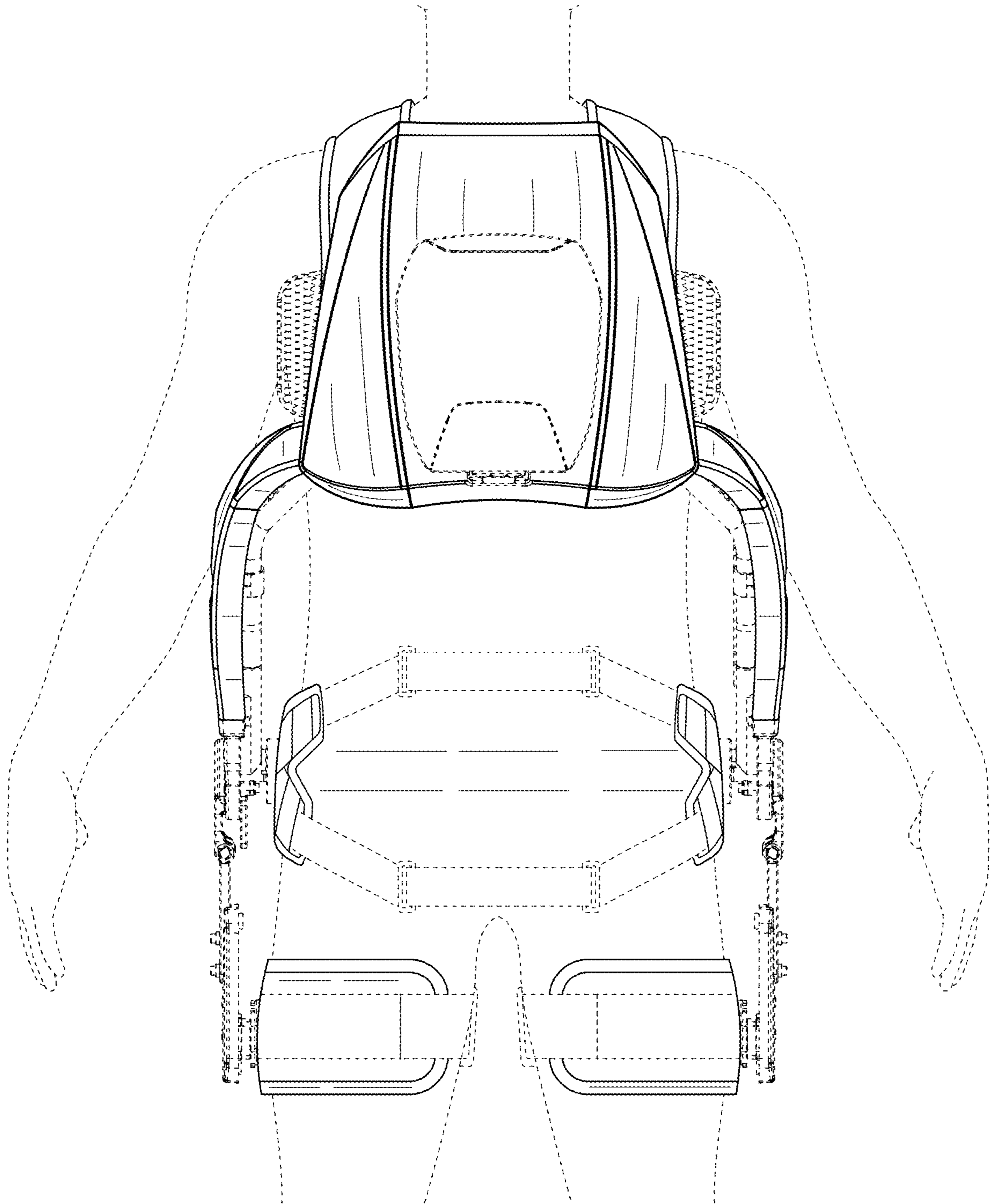


FIG. 9

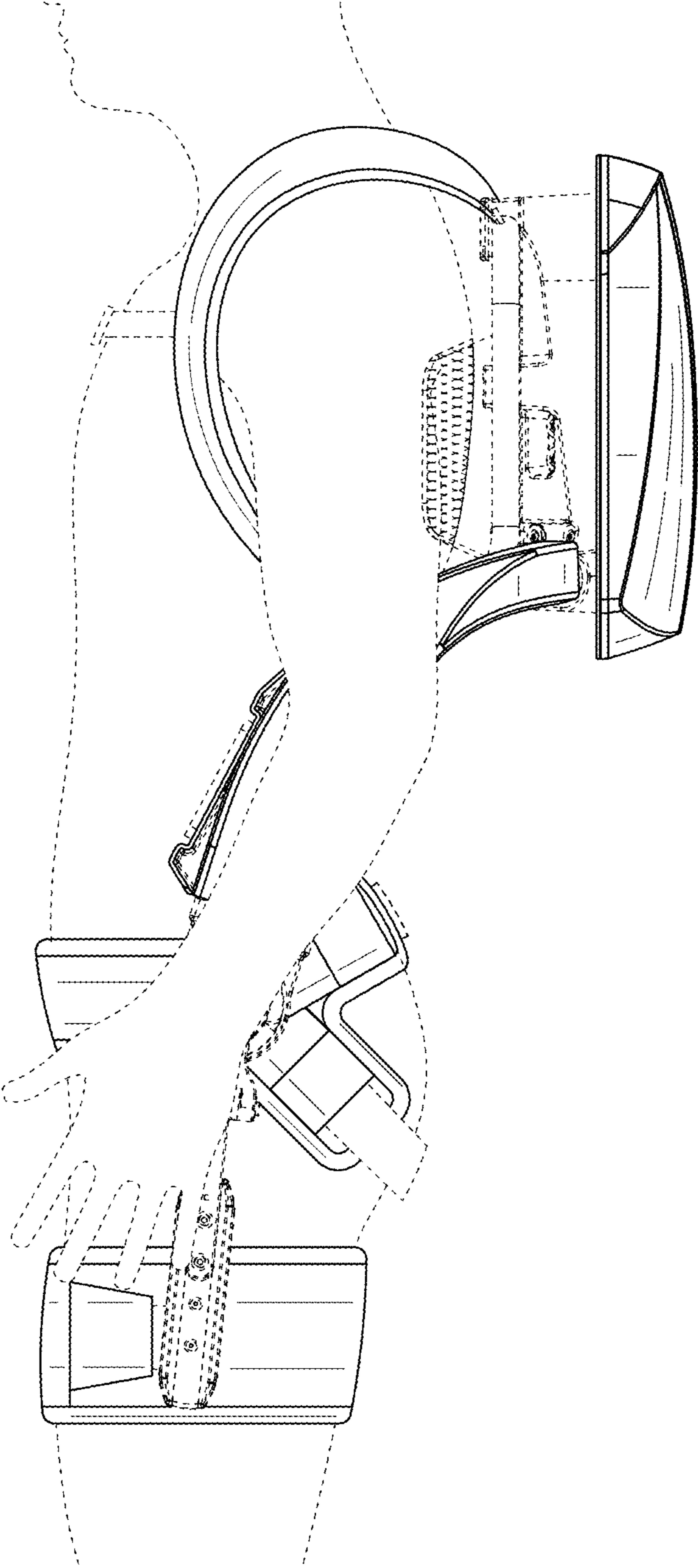


FIG. 10

