

US00D960374S

(12) **United States Design Patent**
Tanimoto

(10) **Patent No.:** **US D960,374 S**

(45) **Date of Patent:** **** Aug. 9, 2022**

(54) **HANDLE FOR AN ULTRASONIC DIAGNOSIS APPARATUS**

(71) Applicant: **CANON MEDICAL SYSTEMS CORPORATION**, Otawara (JP)

(72) Inventor: **Sakiko Tanimoto**, Tokyo (JP)

(73) Assignee: **Canon Medical Systems Corporation**, Otawara (JP)

(**) Term: **15 Years**

(21) Appl. No.: **29/748,750**

(22) Filed: **Sep. 1, 2020**

(30) **Foreign Application Priority Data**

May 15, 2020 (JP) 2020-009601

(51) **LOC (13) Cl.** **24-01**

(52) **U.S. Cl.**

USPC **D24/186; D24/185; D34/27**

(58) **Field of Classification Search**

USPC D24/107, 158, 160, 185, 186, 187, 231,
D24/232; D34/12, 14, 27

CPC A61B 8/4405; A61B 8/4416; A61B 8/462;
A61B 8/467; A61B 50/13

See application file for complete search history.

(56) **References Cited**

U.S. PATENT DOCUMENTS

D637,782 S * 5/2011 Steffens D34/14
D716,447 S * 10/2014 Kim D24/185

D716,448 S * 10/2014 Kim D24/185
D733,388 S * 6/2015 Stauff D34/27
D843,585 S * 3/2019 Wu D24/186
D861,880 S * 10/2019 Verschoor D34/12
D875,951 S * 2/2020 Kent D24/185
D901,019 S * 11/2020 Nally D24/186
D932,628 S * 10/2021 Mendoza D24/185
D933,835 S * 10/2021 St. Pierre D24/185
D942,631 S * 2/2022 Wodecki D24/185

* cited by examiner

Primary Examiner — Anhdao Doan

(74) *Attorney, Agent, or Firm* — Finnegan, Henderson, Farabow, Garrett & Dunner, L.L.P.

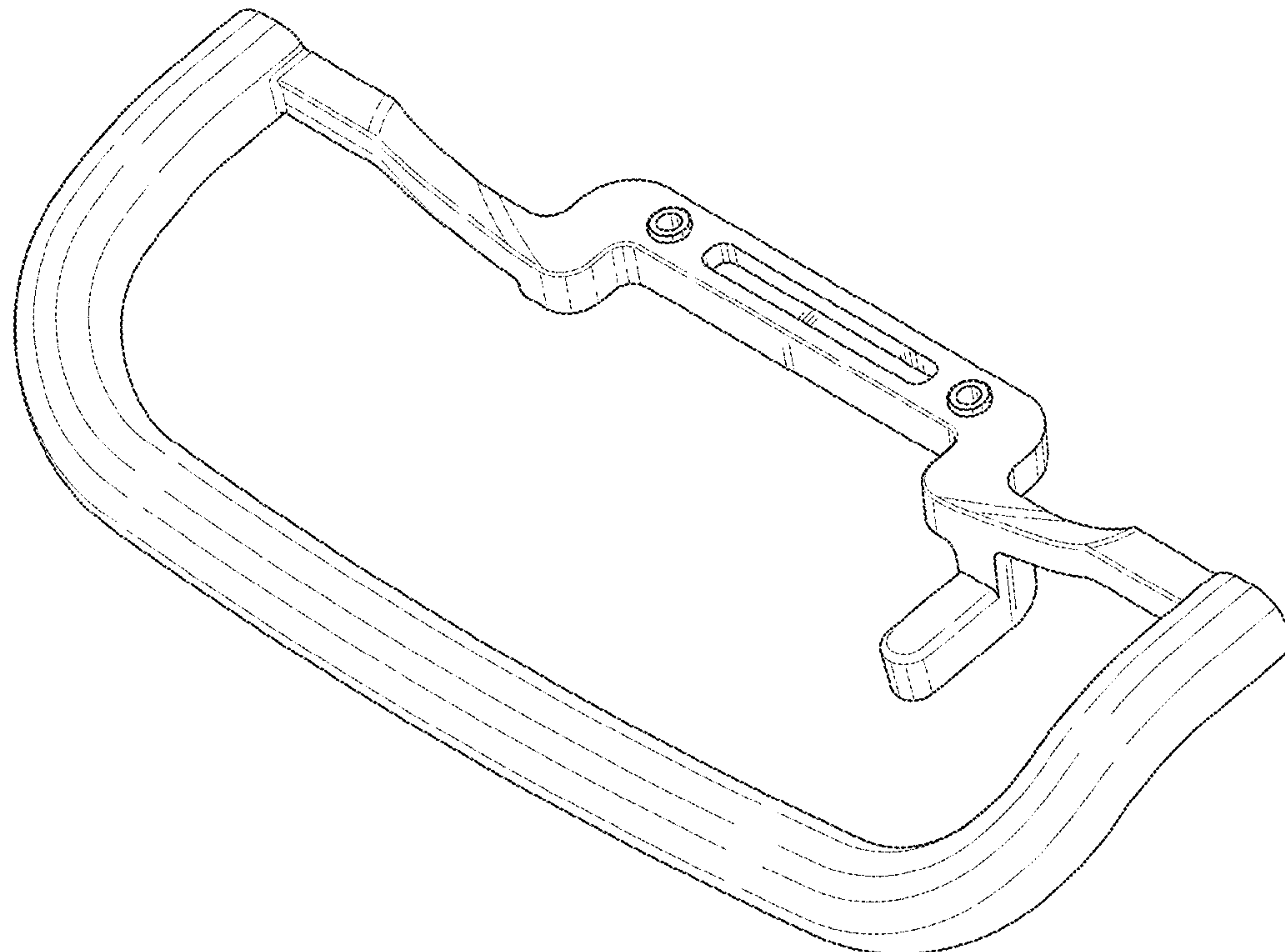
(57) **CLAIM**

The ornamental design for a handle for an ultrasonic diagnosis apparatus, as shown and described.

DESCRIPTION

FIG. 1 is a perspective view of a handle for an ultrasonic diagnosis apparatus showing my new design; FIG. 2 is a front elevational view thereof; FIG. 3 is a rear elevational view thereof; FIG. 4 is a top plan view thereof; FIG. 5 is a bottom plan view thereof; FIG. 6 is a left side elevational view thereof; FIG. 7 is a right-side elevational view thereof; and, FIG. 8 is a reference view showing the article in use thereof. The broken lines represent environmental subject matter and form no part of the claimed design.

1 Claim, 8 Drawing Sheets



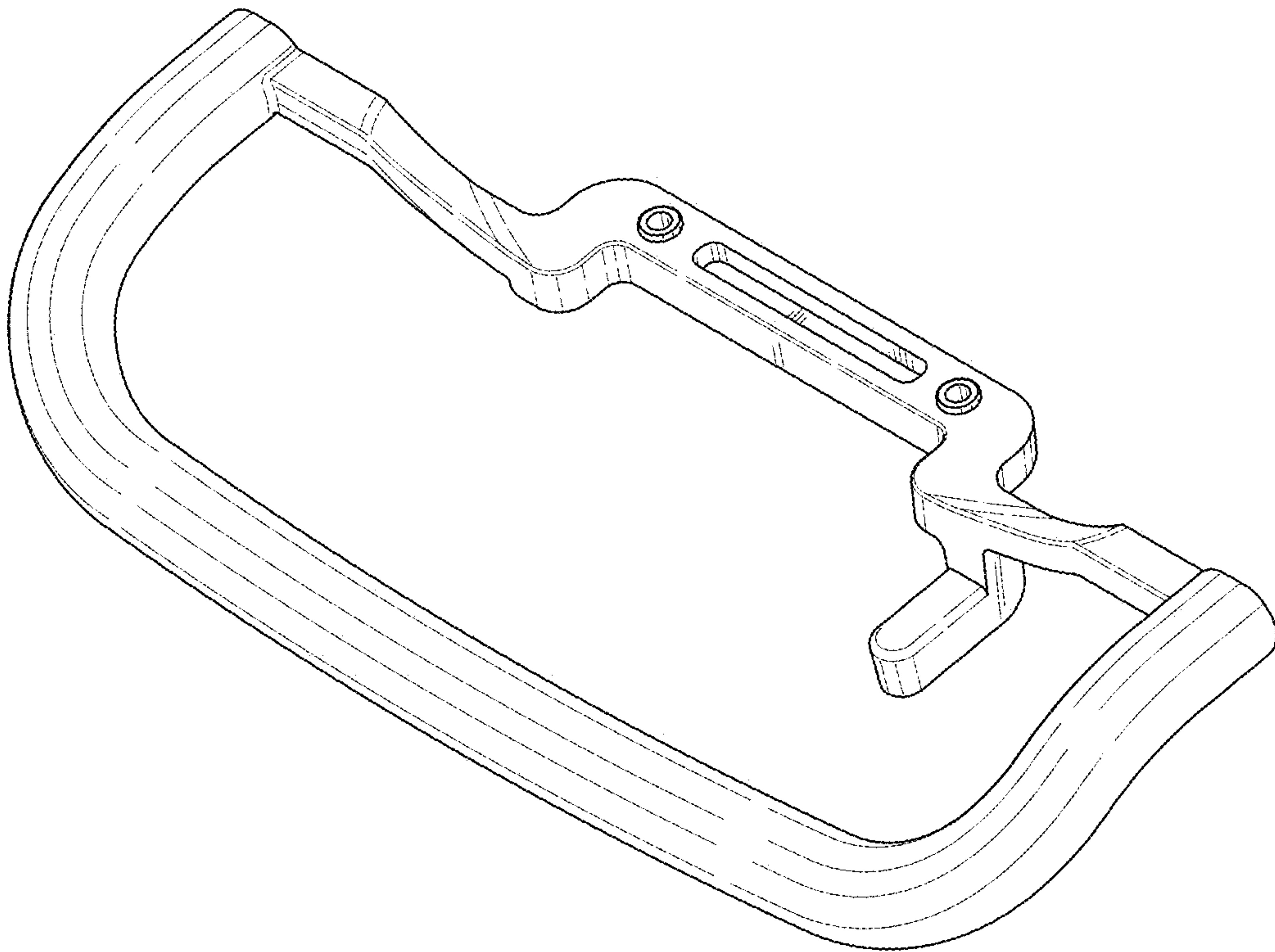


FIG. 1

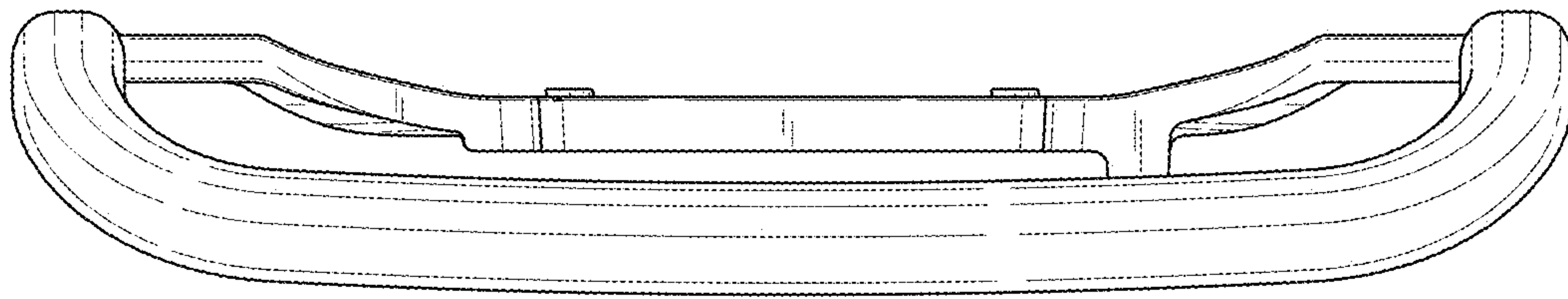


FIG. 2

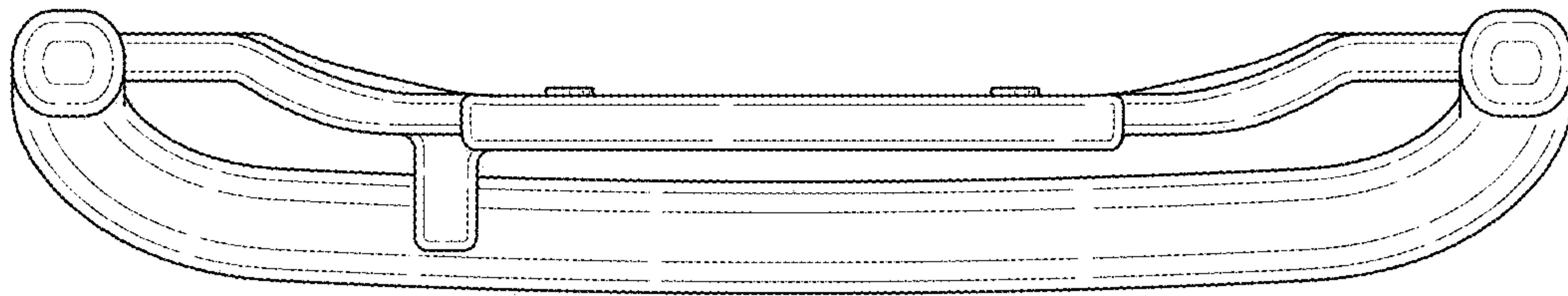


FIG. 3

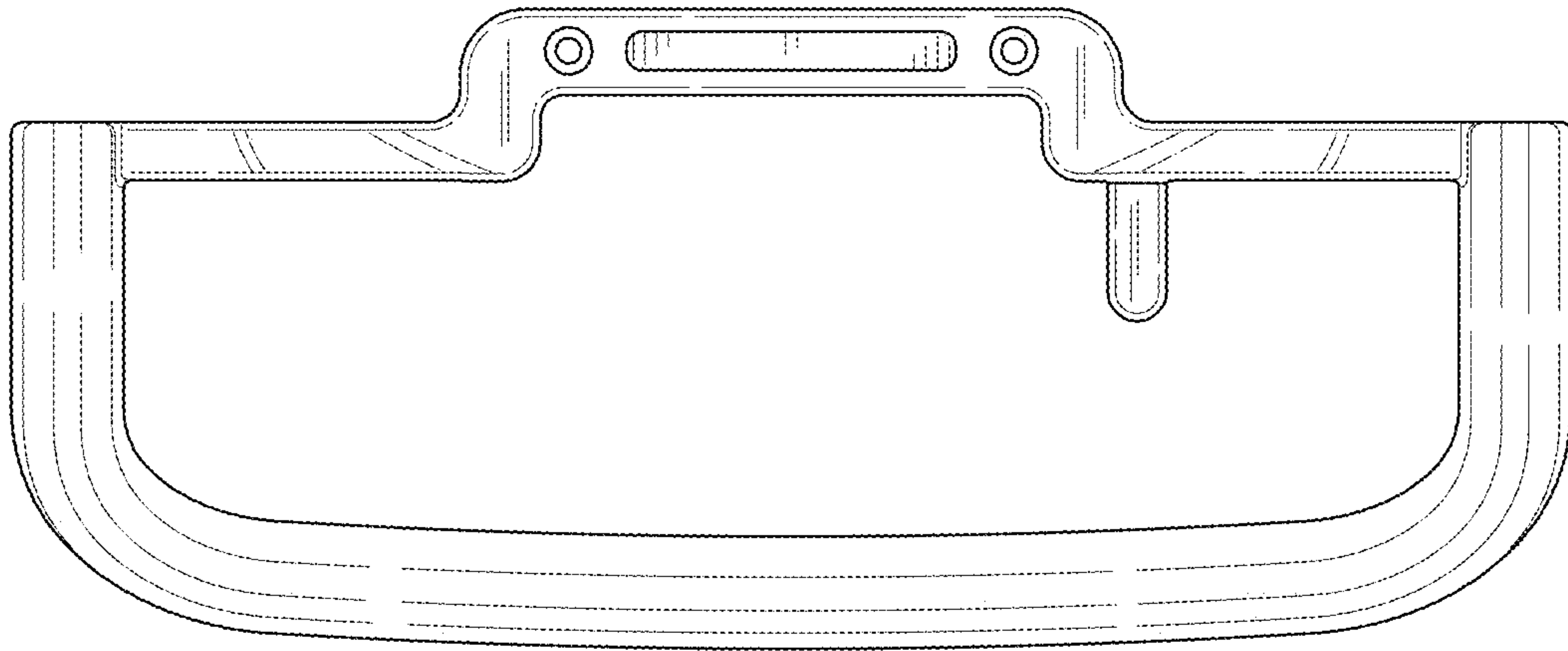


FIG. 4

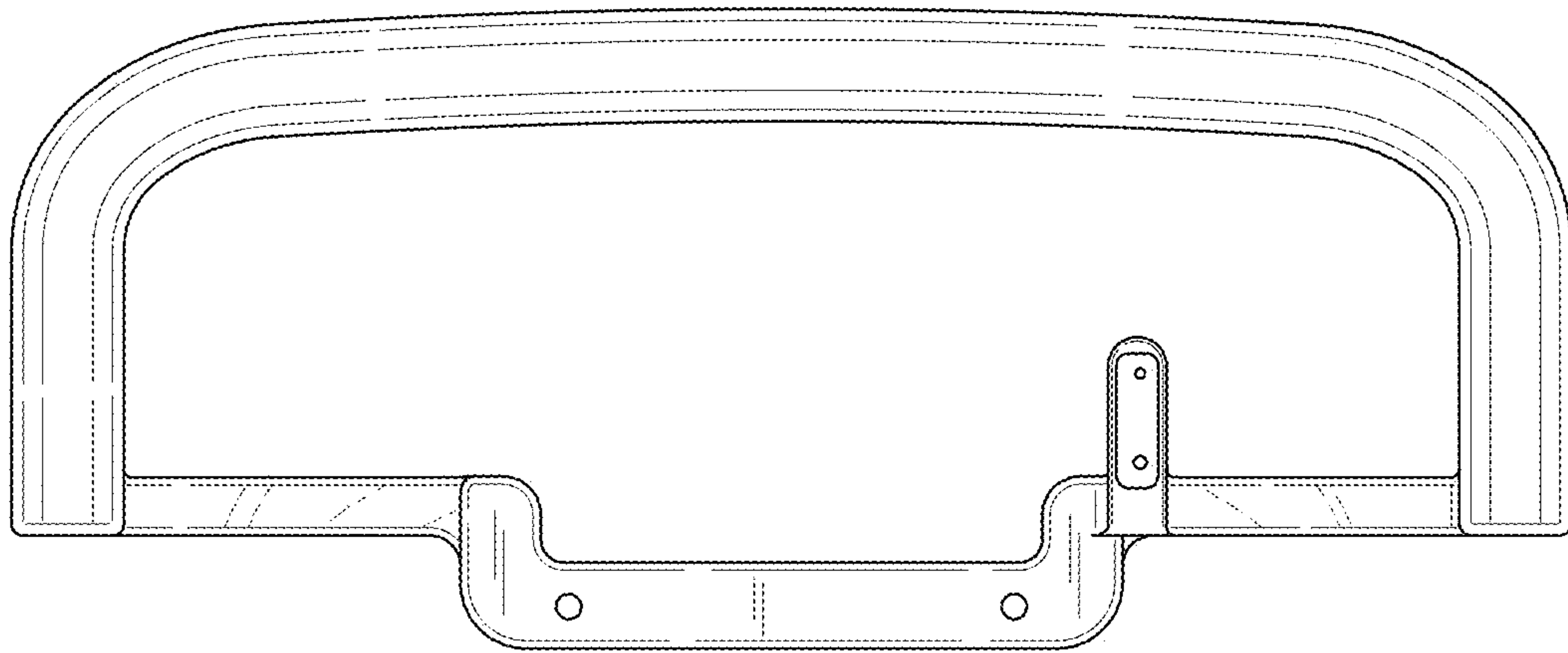


FIG. 5

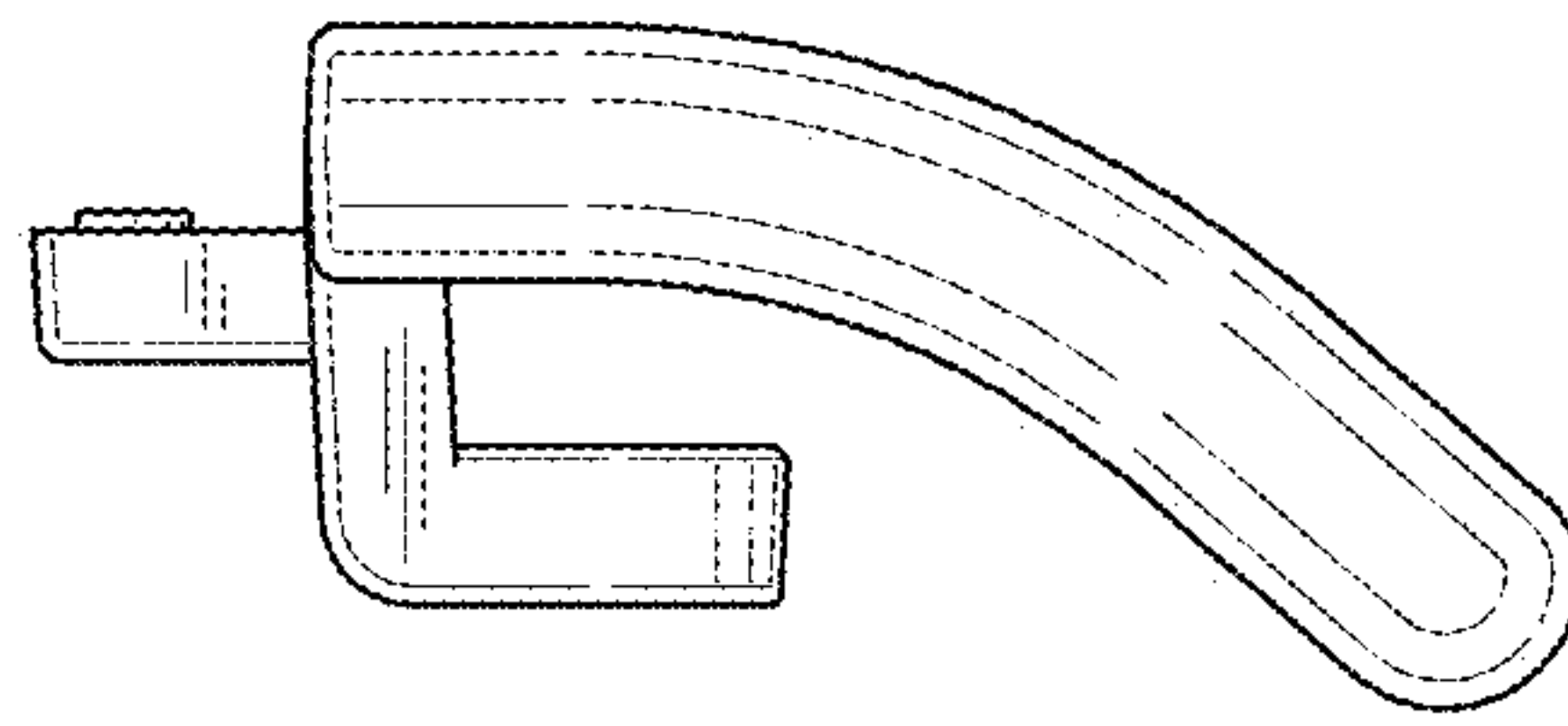


FIG. 6

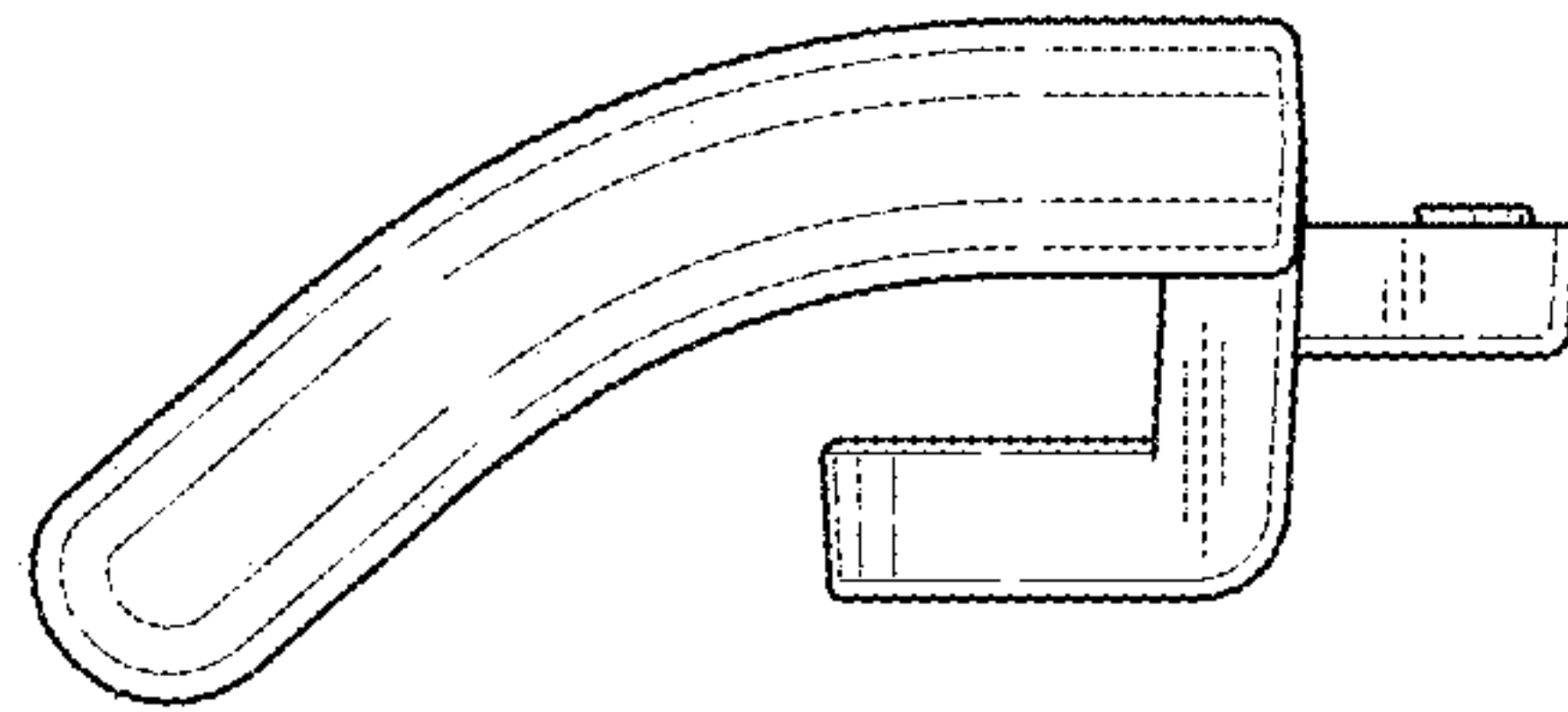


FIG. 7

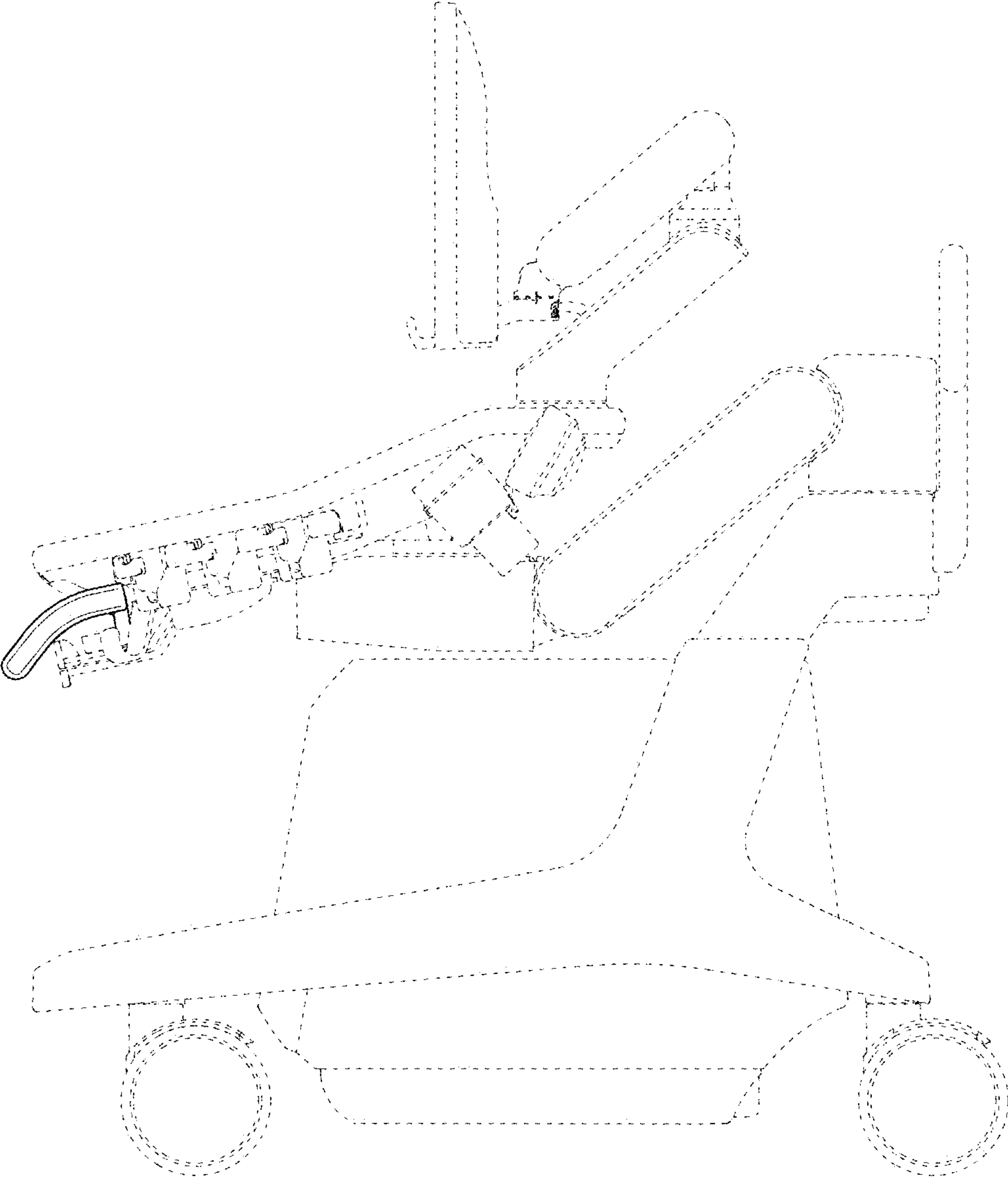


FIG. 8