

US00D960371S

(12) **United States Design Patent** (10) **Patent No.:** **US D960,371 S**  
**Hollis et al.** (45) **Date of Patent:** **\*\* Aug. 9, 2022**

(54) **OSTEOSYNTHESIS CLIP FEATURES**

(74) *Attorney, Agent, or Firm* — BakerHostetler

(71) Applicant: **CROSSROADS EXTREMITY SYSTEMS, LLC**, Memphis, TN (US)

(57) **CLAIM**

The ornamental design for osteosynthesis clip features, as shown and described.

(72) Inventors: **Michael Chad Hollis**, Collierville, TN (US); **Vernon R. Hartdegen**, Collierville, TN (US)

**DESCRIPTION**

(73) Assignee: **CROSSROADS EXTREMITY SYSTEMS, LLC**, Memphis, TN (US)

FIG. 1 is a top perspective view of osteosynthesis clip features;

(\*\*) Term: **15 Years**

FIG. 2 is a bottom perspective view of the osteosynthesis clip features of FIG. 1;

(21) Appl. No.: **29/739,903**

FIG. 3 is a front view of the osteosynthesis clip features of FIG. 1;

(22) Filed: **Jun. 30, 2020**

FIG. 4 is a back view of the osteosynthesis clip features of FIG. 1;

**Related U.S. Application Data**

(63) Continuation of application No. 29/711,467, filed on Oct. 31, 2019, now Pat. No. Des. 892,331, which is a (Continued)

FIG. 5 is a left view of the osteosynthesis clip features of FIG. 1;

(51) **LOC (13) Cl.** ..... **24-03**

FIG. 6 is a right view of the osteosynthesis clip features of FIG. 1;

(52) **U.S. Cl.**  
USPC ..... **D24/155**

FIG. 7 is a top view of the osteosynthesis clip features of FIG. 1;

(58) **Field of Classification Search**  
USPC ..... D24/155  
(Continued)

FIG. 8 is a bottom view of the osteosynthesis features clip of FIG. 1;

(56) **References Cited**

**U.S. PATENT DOCUMENTS**

2,133,859 A 10/1938 Hawley  
2,811,073 A 10/1957 Klopstock  
(Continued)

FIG. 9 is a top perspective view of another set of osteosynthesis clip features;

**FOREIGN PATENT DOCUMENTS**

DE 20001879 5/2000  
DE 10116168 11/2001  
(Continued)

FIG. 10 is a bottom perspective view of the osteosynthesis clip features of FIG. 9;

FIG. 11 is a front view of the osteosynthesis clip features of FIG. 9;

FIG. 12 is a back view of the osteosynthesis clip features of FIG. 9;

FIG. 13 is a left view of the osteosynthesis clip features of FIG. 9;

FIG. 14 is a right view of the osteosynthesis clip features of FIG. 9;

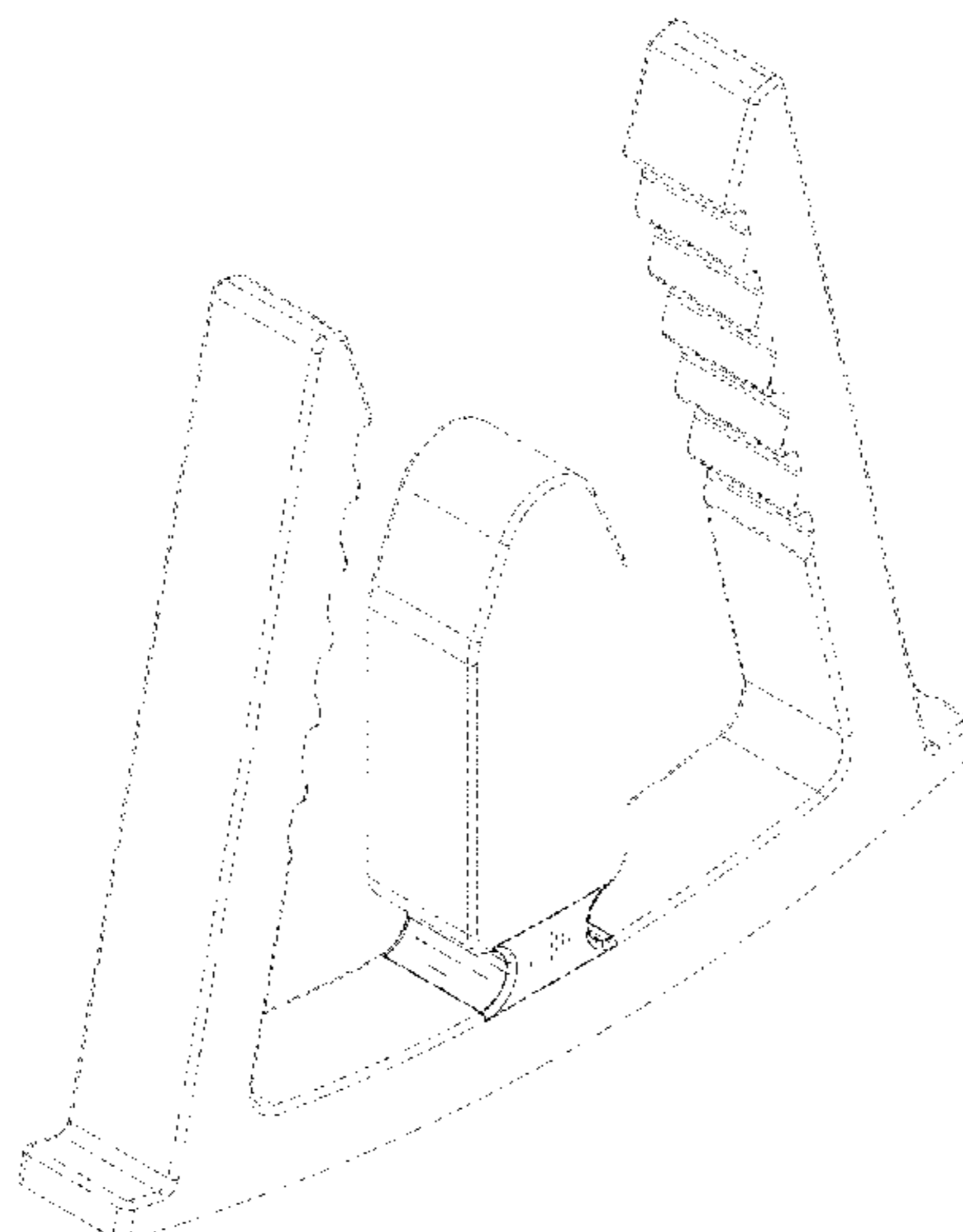
FIG. 15 is a top view of the osteosynthesis clip features of FIG. 9; and,

FIG. 16 is a bottom view of the osteosynthesis clip features of FIG. 9.

In the drawings, the broken lines depict environmental subject matter only and form no part of the claimed design.

*Primary Examiner* — Charles D Hanson

**1 Claim, 12 Drawing Sheets**



**Related U.S. Application Data**

continuation of application No. 29/612,208, filed on Jul. 31, 2017, now Pat. No. Des. 870,284.

(58) **Field of Classification Search**

CPC ..... A61B 17/0642; A61B 17/0682; A61B 17/0644; F16B 15/06

See application file for complete search history.

(56) **References Cited**

U.S. PATENT DOCUMENTS

3,636,954 A 1/1972 Weston  
 3,939,828 A \* 2/1976 Mohr ..... A61B 17/68  
 606/221  
 4,014,244 A 3/1977 Larson  
 4,434,796 A 3/1984 Karapetian  
 D281,814 S 12/1985 Pratt  
 4,719,917 A 1/1988 Barrows  
 5,015,135 A 5/1991 Chamings  
 5,425,489 A 6/1995 Shichman  
 5,785,713 A 7/1998 Jobe  
 6,626,916 B1 9/2003 Yeung  
 D484,032 S \* 12/2003 Del Re ..... D8/390  
 7,240,677 B2 7/2007 Fox  
 7,398,907 B2 7/2008 Racenet  
 D586,915 S \* 2/2009 Grim ..... D24/145  
 D625,417 S 10/2010 Fox  
 8,137,351 B2 3/2012 Prandi  
 8,337,537 B2 12/2012 Pelo  
 8,540,778 B2 9/2013 Rhodes  
 8,657,820 B2 2/2014 Kubiak  
 D707,357 S \* 6/2014 Cheney ..... D24/145  
 8,870,882 B2 10/2014 Kleiner  
 8,951,254 B2 2/2015 Mayer  
 9,017,331 B2 4/2015 Fox  
 9,095,338 B2 8/2015 Taylor  
 9,101,349 B2 8/2015 Knight  
 9,107,661 B2 8/2015 Euteneuer  
 9,180,022 B2 11/2015 Georges  
 9,271,726 B2 3/2016 Euteneuer  
 9,295,463 B2 3/2016 Viola  
 9,402,624 B1 \* 8/2016 Scott ..... A61B 17/064  
 D780,311 S \* 2/2017 Cheney ..... D24/155  
 9,615,856 B2 4/2017 Arnett  
 9,855,036 B2 1/2018 Palmer  
 9,901,338 B2 \* 2/2018 Anderson ..... A61B 17/0644

9,955,964 B2 5/2018 Mayer  
 10,016,198 B2 7/2018 Morgan  
 10,166,022 B2 1/2019 Early  
 D865,178 S \* 10/2019 Sammarco ..... D24/155  
 10,456,130 B2 \* 10/2019 Cheney ..... A61B 17/0684  
 D870,284 S \* 12/2019 Hollis ..... D24/155  
 10,492,841 B2 12/2019 Hartdegen  
 2002/0019636 A1 \* 2/2002 Ogilvie ..... A61B 17/70  
 606/215  
 2003/0158553 A1 8/2003 Michelson  
 2005/0021035 A1 1/2005 Groiso  
 2006/0058802 A1 3/2006 Kofoed  
 2008/0015598 A1 1/2008 Prommersberger  
 2009/0254090 A1 10/2009 Lizee  
 2010/0069928 A1 3/2010 Bauer  
 2010/0082065 A1 4/2010 Butler  
 2010/0133316 A1 6/2010 Lizee  
 2011/0022099 A1 1/2011 Ashman  
 2011/0118796 A1 5/2011 Reiley  
 2011/0118840 A1 5/2011 Huntsman  
 2012/0228355 A1 9/2012 Combrowski  
 2013/0068815 A1 3/2013 Bruewer  
 2013/0231667 A1 \* 9/2013 Taylor ..... A61B 17/8085  
 606/75  
 2013/0267956 A1 10/2013 Terrill  
 2013/0345752 A1 12/2013 Hendren  
 2014/0018809 A1 \* 1/2014 Allen ..... A61B 17/0642  
 606/75  
 2015/0313592 A1 11/2015 Coillard-Lavirotte  
 2015/0359534 A1 12/2015 Gibbons, Jr.  
 2016/0100835 A1 4/2016 Linder  
 2016/0354117 A1 12/2016 Nakaji  
 2017/0000533 A1 1/2017 Fallin  
 2017/0007305 A1 1/2017 Hollis  
 2017/0202552 A1 7/2017 Coleman  
 2017/0354509 A1 12/2017 Finley  
 2019/0046183 A1 2/2019 Hartdegen  
 2019/0133777 A1 5/2019 Müller

FOREIGN PATENT DOCUMENTS

EP 826340 3/1998  
 WO WO1992017122 10/1992  
 WO WO2008129061 10/2008  
 WO WO2010004602 1/2010  
 WO WO2012088575 7/2012  
 WO WO2013186205 12/2013

\* cited by examiner

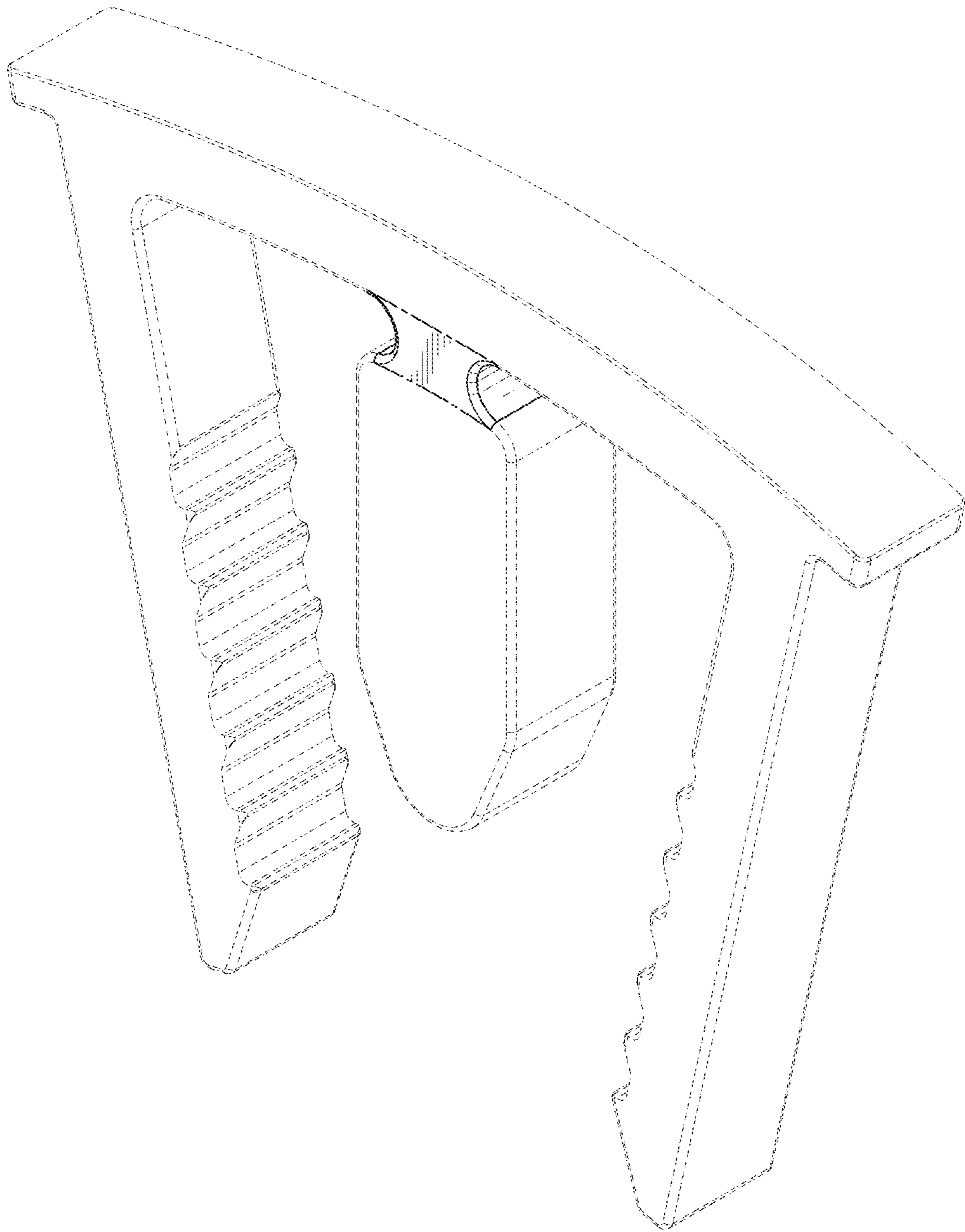


FIG. 1

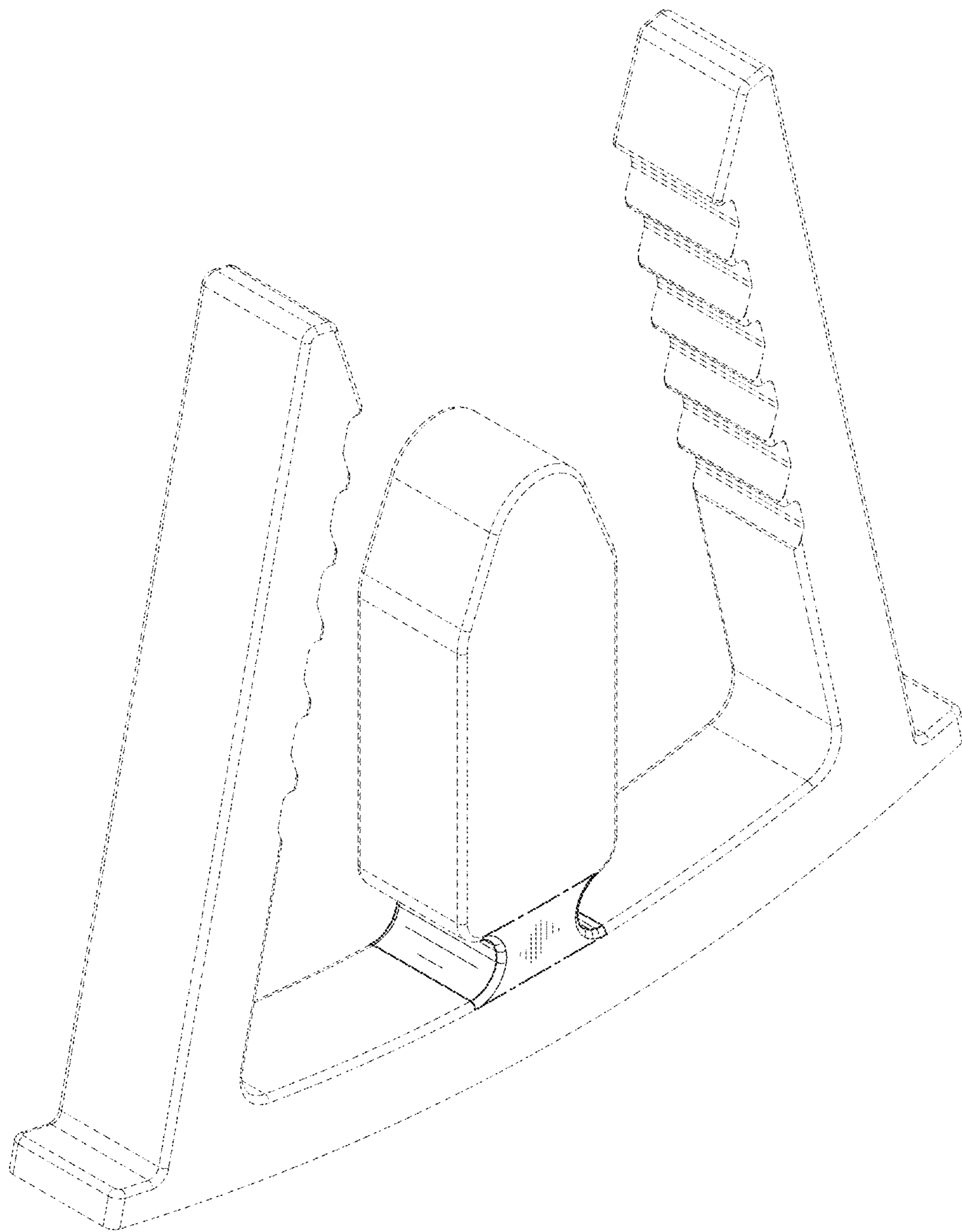


FIG. 2

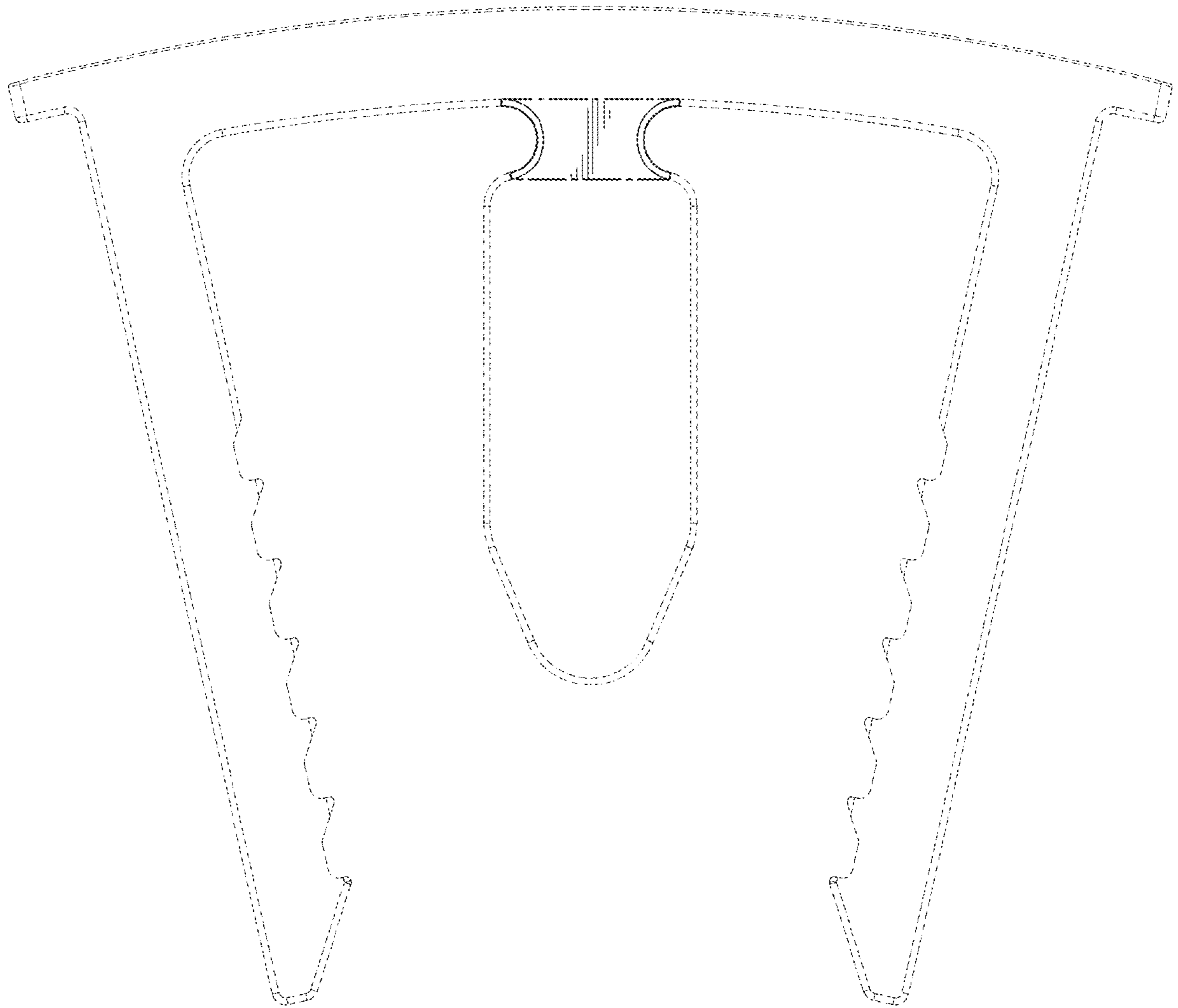


FIG. 3

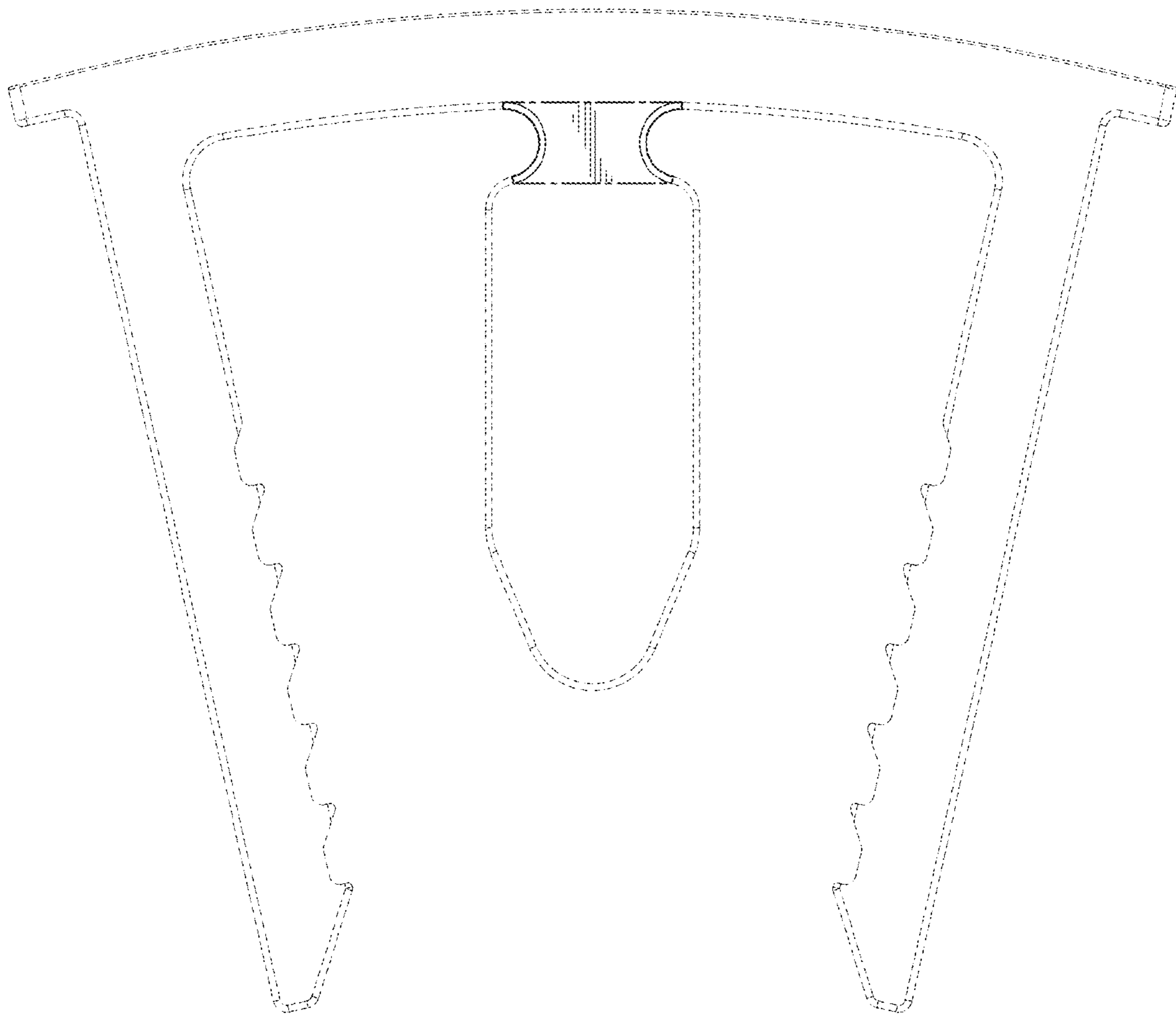


FIG. 4

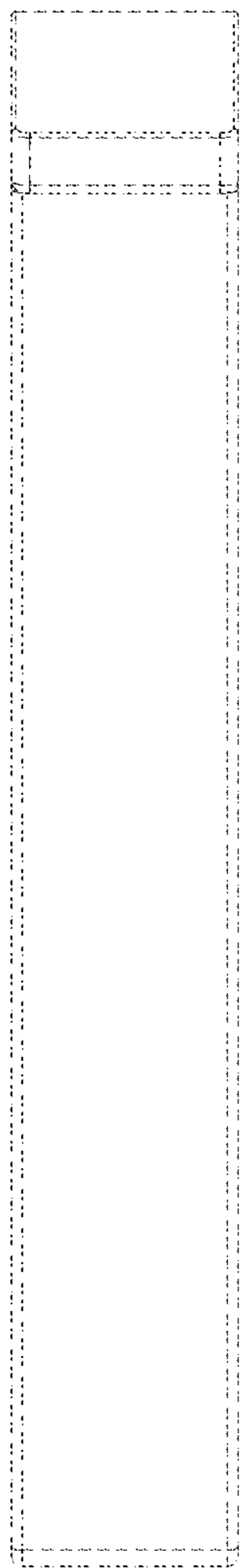


FIG. 5

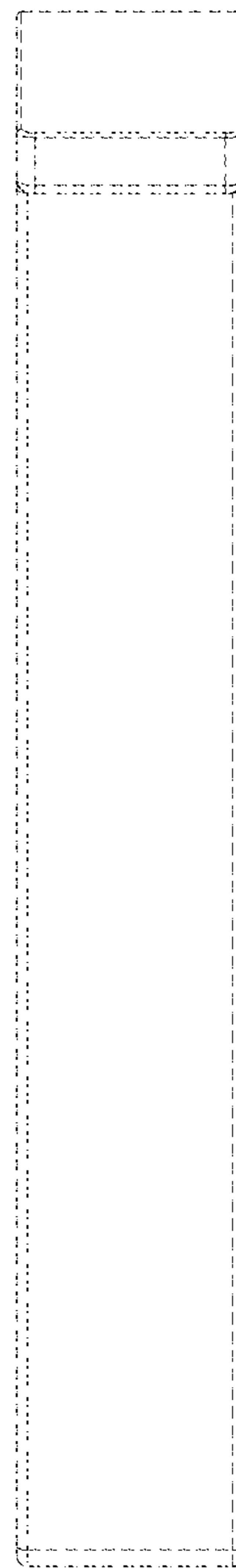


FIG. 6



FIG. 7

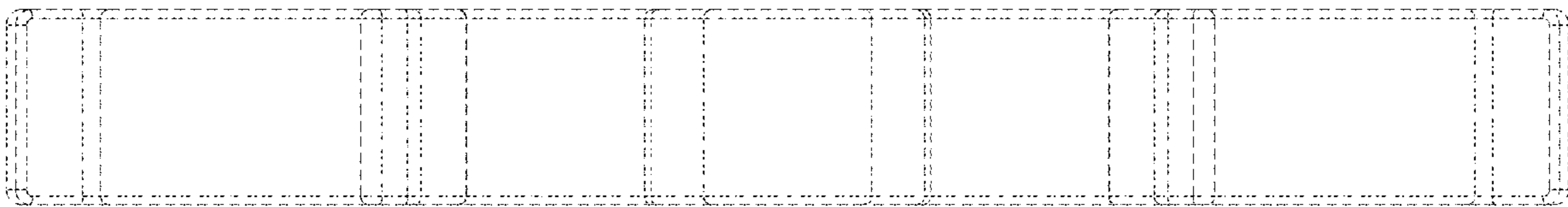


FIG. 8



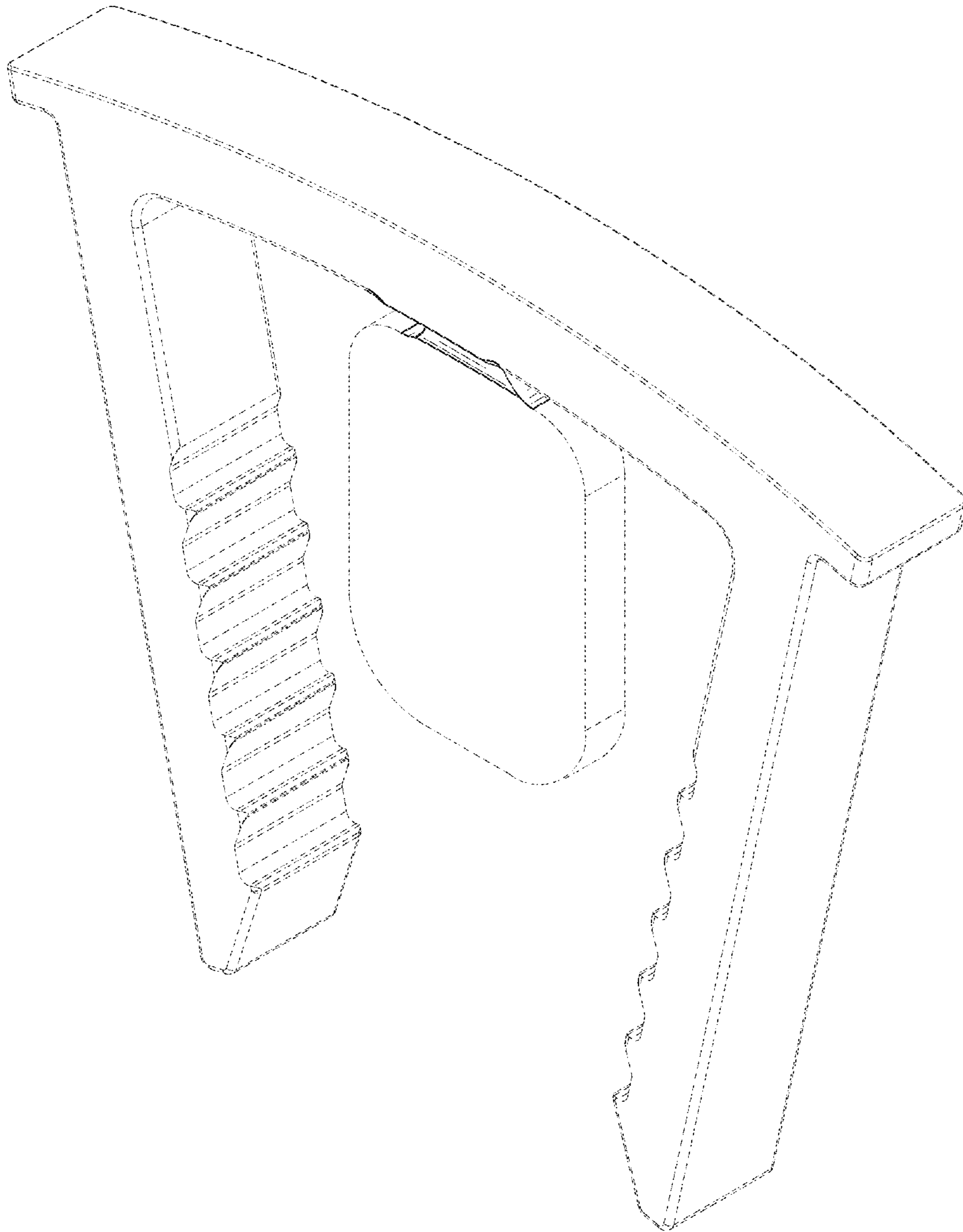


FIG. 9

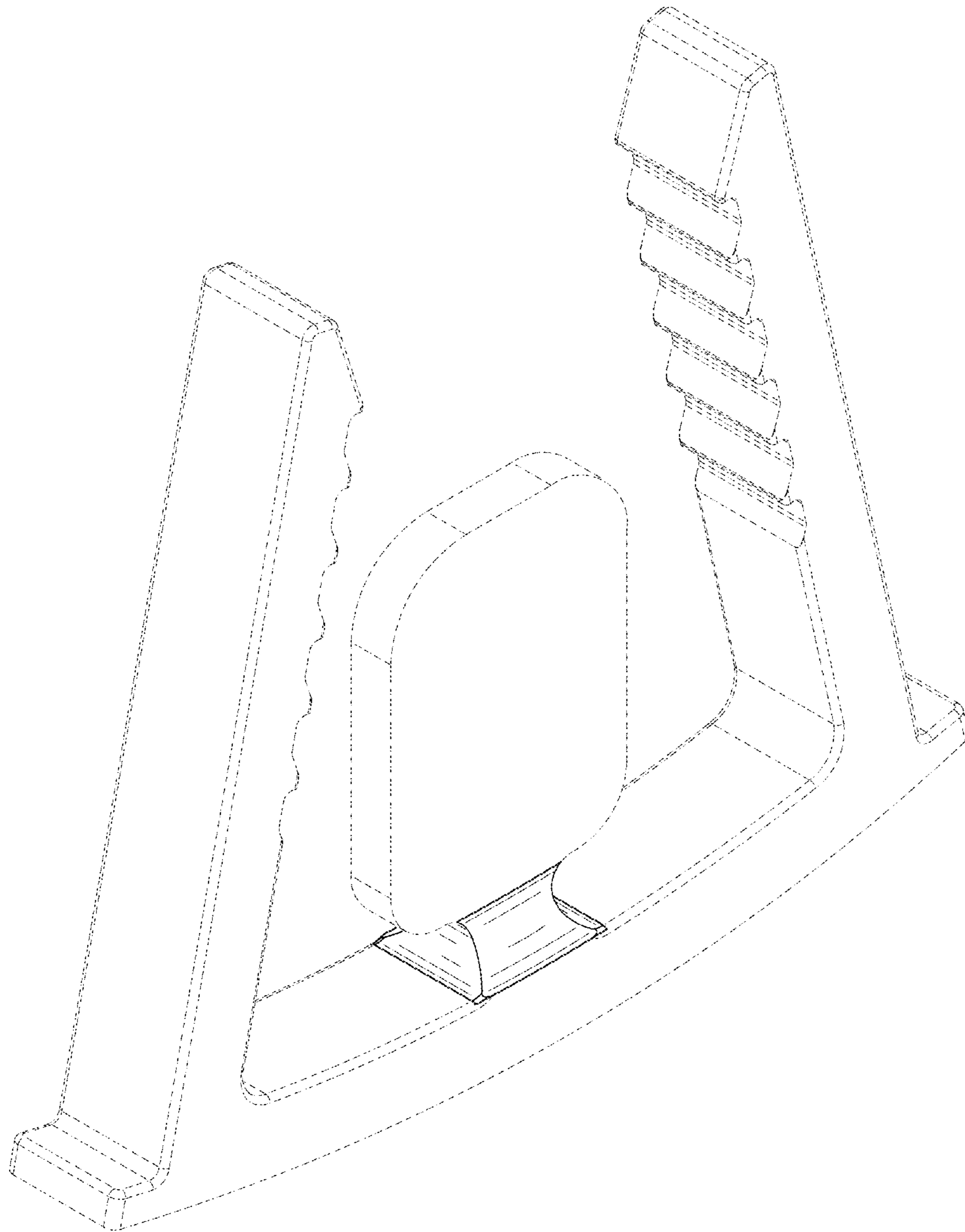


FIG. 10

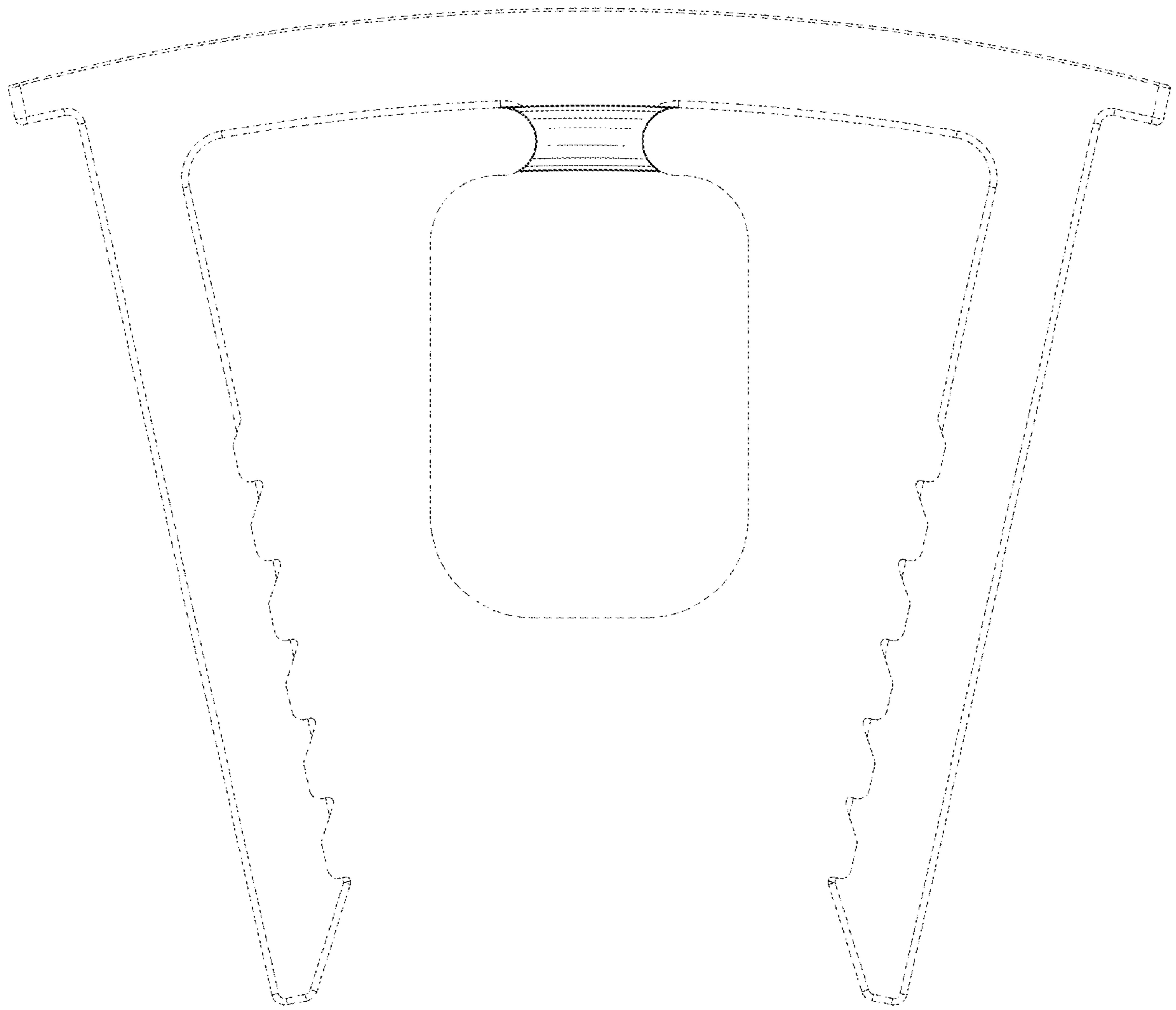


FIG. 11

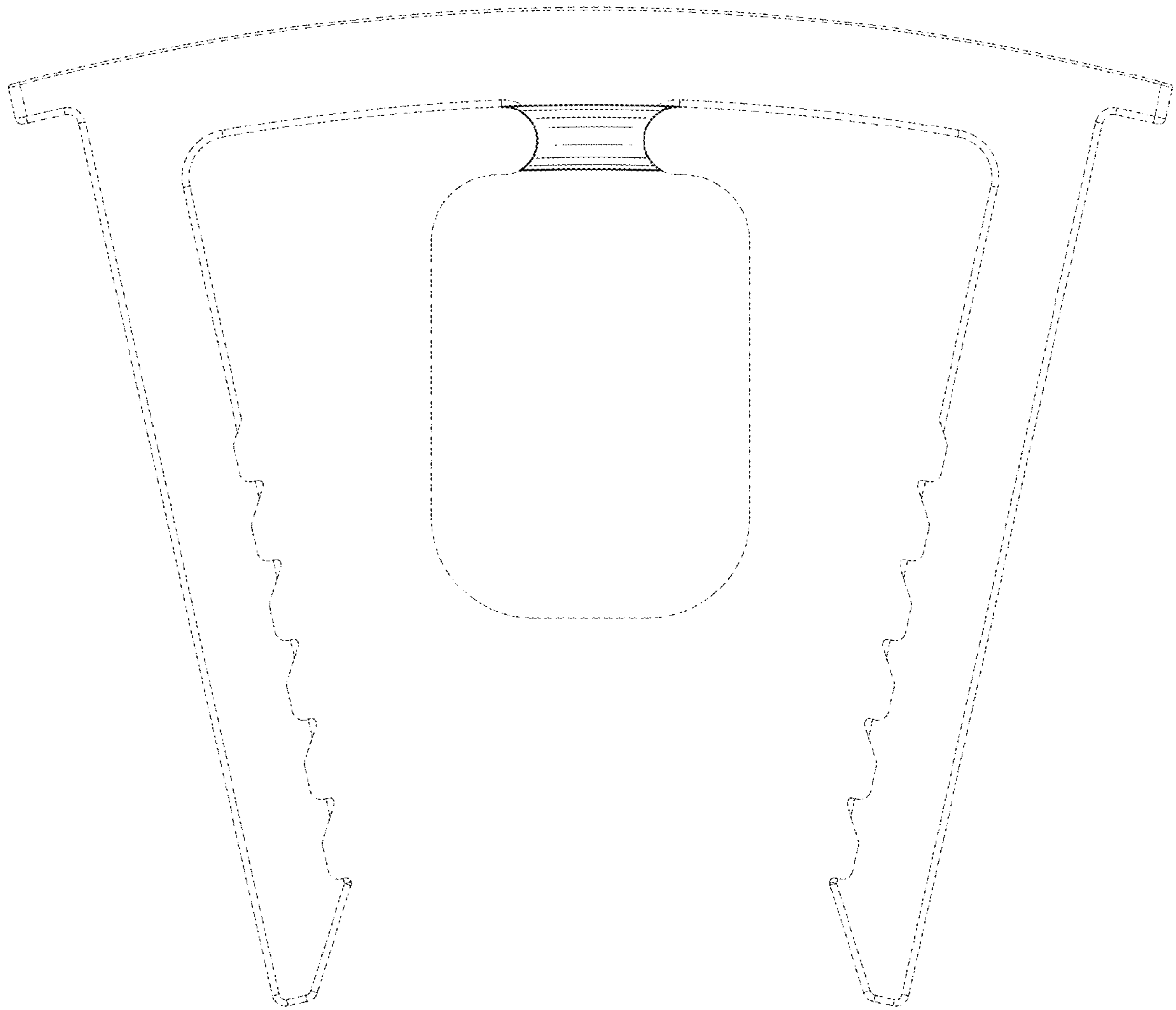


FIG. 12

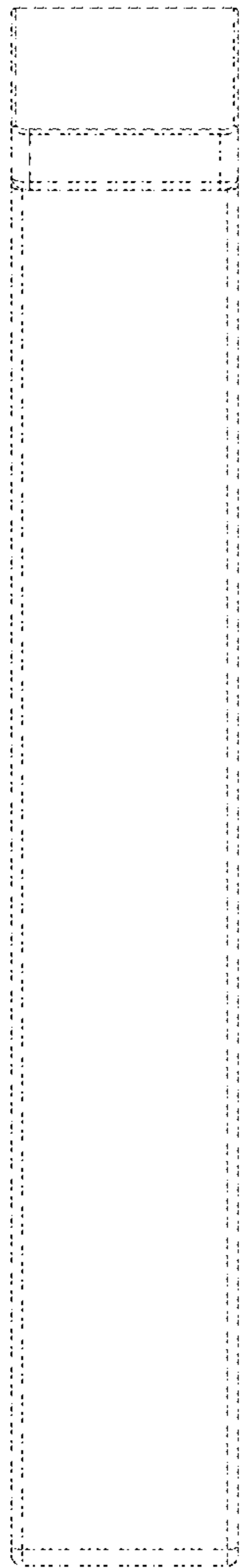


FIG. 13

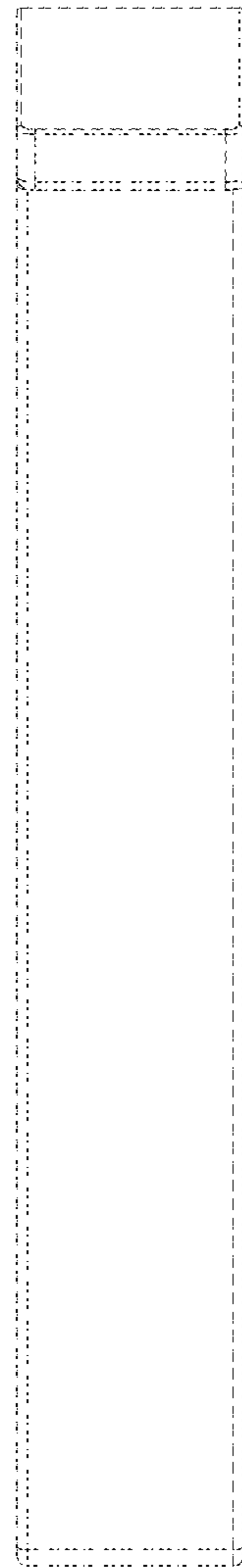


FIG. 14



FIG. 15

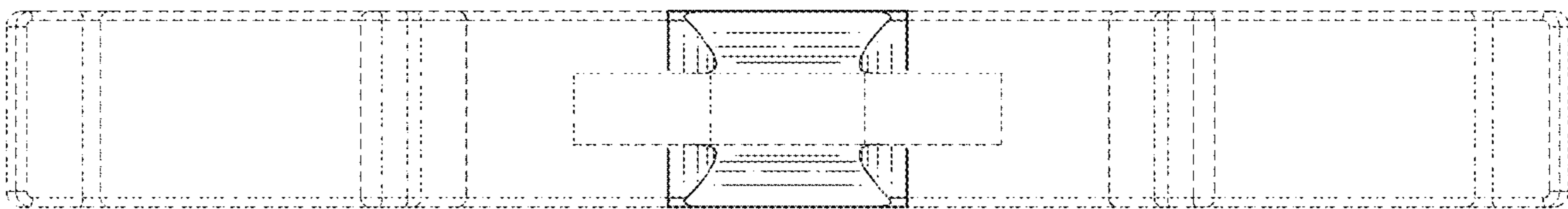


FIG. 16