



US00D960367S

(12) **United States Design Patent** (10) **Patent No.:** **US D960,367 S**
Wang (45) **Date of Patent:** **** Aug. 9, 2022**

(54) **EAR CLEANING DEVICE SET**
(71) Applicant: **HEIFENG ZHIZAO (SHENZHEN) TECHNOLOGY CO., LTD**, Shenzhen (CN)

D714,907 S * 10/2014 Spraw A46B 11/0027 D23/213
9,259,078 B1 * 2/2016 Krug A46B 11/0027
D768,291 S * 10/2016 Carota D24/119
D810,368 S * 2/2018 Kessler D4/135
(Continued)

(72) Inventor: **Shihong Wang**, Shenzhen (CN)
(73) Assignee: **HEIFENG ZHIZAO (SHENZHEN) TECHNOLOGY CO., LTD**, Shenzhen (CN)

FOREIGN PATENT DOCUMENTS

CN 306864457 * 10/2021

(**) Term: **15 Years**
(21) Appl. No.: **29/799,978**
(22) Filed: **Jul. 19, 2021**

OTHER PUBLICATIONS

Amazon, "Bebird X17 Pro Ear Endoscope", first available Aug. 12, 2020. (https://www.amazon.com/BEBIRD-Endoscope-Wireless-Otoscope-Smartphone/dp/B08FRFHF6Q/ref=psdc_3760941_t2_B08Y6KJNPL?th=1) (Year: 2020).*
(Continued)

(30) **Foreign Application Priority Data**
Apr. 23, 2021 (CN) 202130238136.7

Primary Examiner — Lauren D McVey
Assistant Examiner — Justin A Johnson

(51) **LOC (13) Cl.** **24-02**
(52) **U.S. Cl.**
USPC **D24/151**
(58) **Field of Classification Search**
USPC D24/107, 119, 127, 128, 133, 151, 173
CPC A46B 5/00; A46B 5/0004; A46B 5/0016;
A46B 7/10; A46B 13/001; A46B 13/02;
A46B 13/023; A46B 13/08; A46B
2200/1006; A46B 2200/30; A61B
2018/00327; A61Q 90/00; A61F 11/006
See application file for complete search history.

(57) **CLAIM**

The ornamental design for an ear cleaning device set, as shown and described.

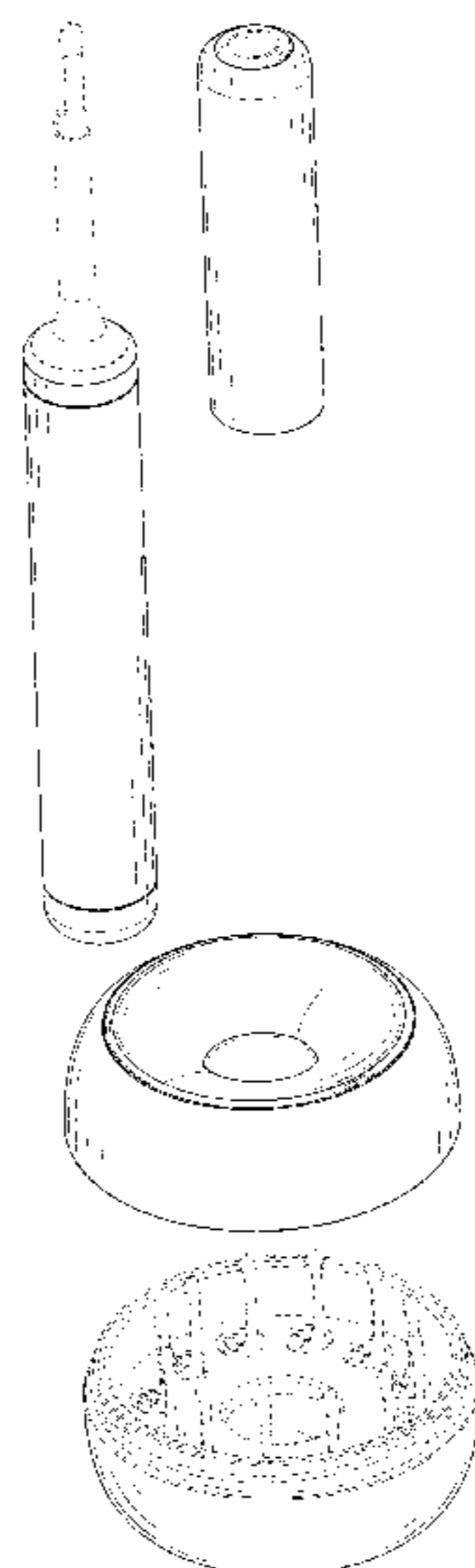
(56) **References Cited**
U.S. PATENT DOCUMENTS

DESCRIPTION

FIG. 1 is a perspective view of an ear cleaning device set showing my new design;
FIG. 2 is another perspective view thereof;
FIG. 3 is a front elevational view thereof;
FIG. 4 is a rear elevational view thereof;
FIG. 5 is a left side elevational view thereof;
FIG. 6 is a right side elevational view thereof;
FIG. 7 is a top plan view thereof;
FIG. 8 is a bottom plan view thereof; and,
FIG. 9 is an exploded perspective view of the ear cleaning device set.
The broken lines in the drawings depict portions of the ear cleaning device set that form no part of the claimed design.

D246,189 S * 10/1977 Smith D24/173
D364,003 S * 11/1995 Benson D28/7
D406,921 S * 3/1999 Roeder D28/7
D489,133 S 4/2004 Shimizu
7,500,981 B1 * 3/2009 Jubrail A61F 11/006
606/162
D708,297 S * 7/2014 Williams D23/213

1 Claim, 9 Drawing Sheets



(56)

References Cited

U.S. PATENT DOCUMENTS

D847,993 S 5/2019 Olson
D932,011 S * 9/2021 Wang D24/151
D932,623 S * 10/2021 Wang D24/151
D946,756 S * 3/2022 Wang D24/151
2021/0282543 A1 * 9/2021 Drakes A46B 11/0003

OTHER PUBLICATIONS

Amazon, "Bebird Ear Wax Removal Tool", first available Mar. 6, 2021. (<https://www.amazon.com/BEBIRD-Removal-Wireless-Cleaner-Endoscope/dp/B08Y6KJNPL>) (Year: 2021).*

Amazon, "Ear Wax Removal Tool Aabld", first available Nov. 26, 2021. (<https://www.amazon.com/dp/B09MLQPLKG/?th=1>) (Year: 2021).*

Amazon, "Ear Wax Removal AIFINI", first available Jan. 14, 2022. (<https://www.amazon.com/dp/B09NW1G7VS/>) (Year: 2022).*

* cited by examiner

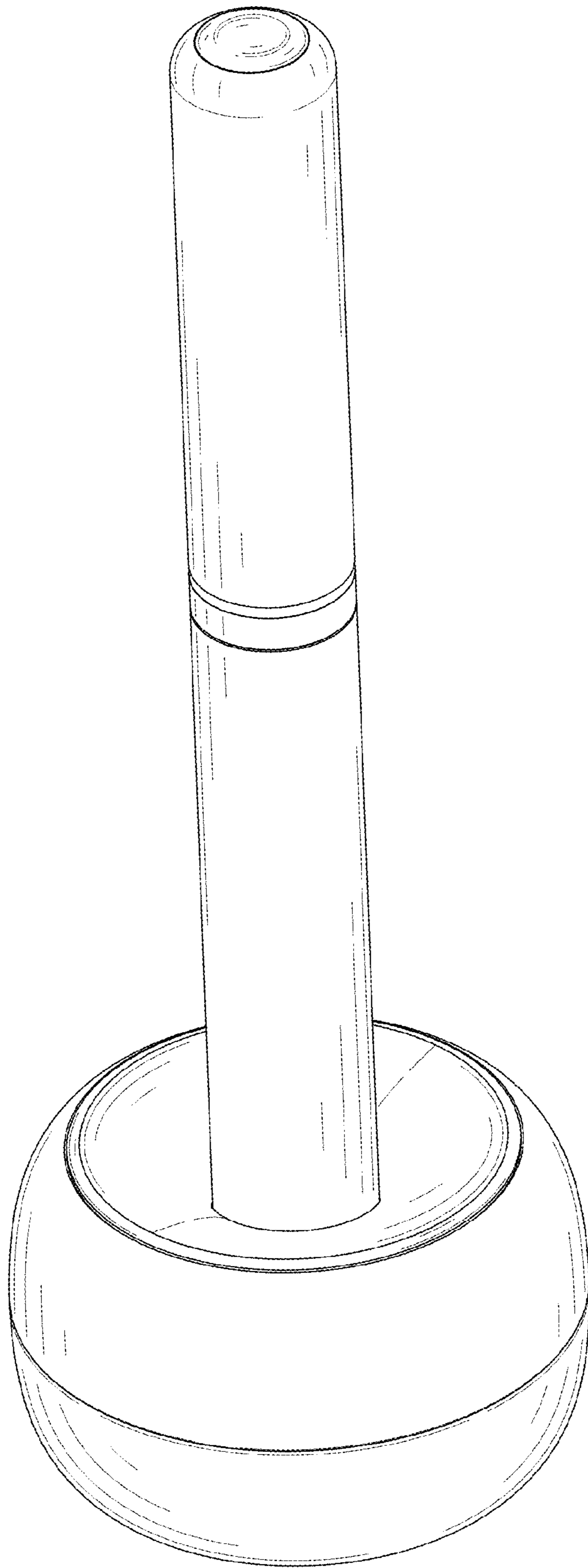


FIG. 1

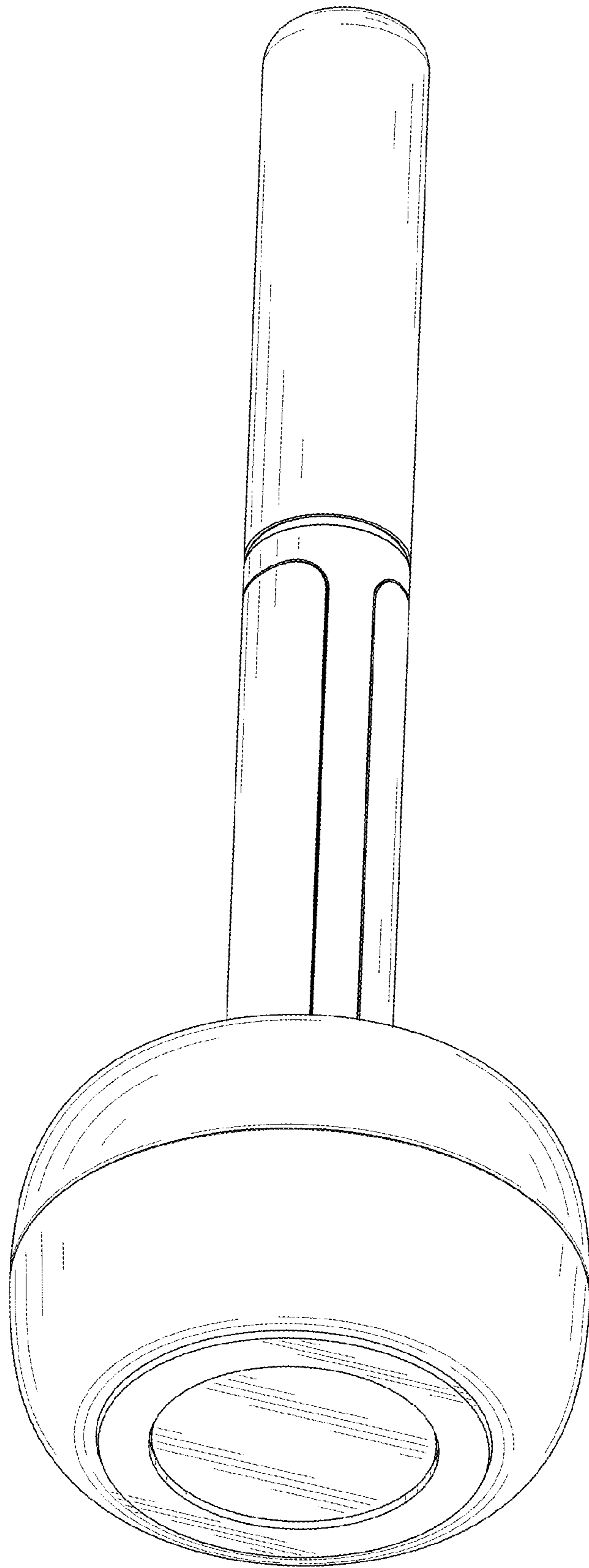


FIG. 2

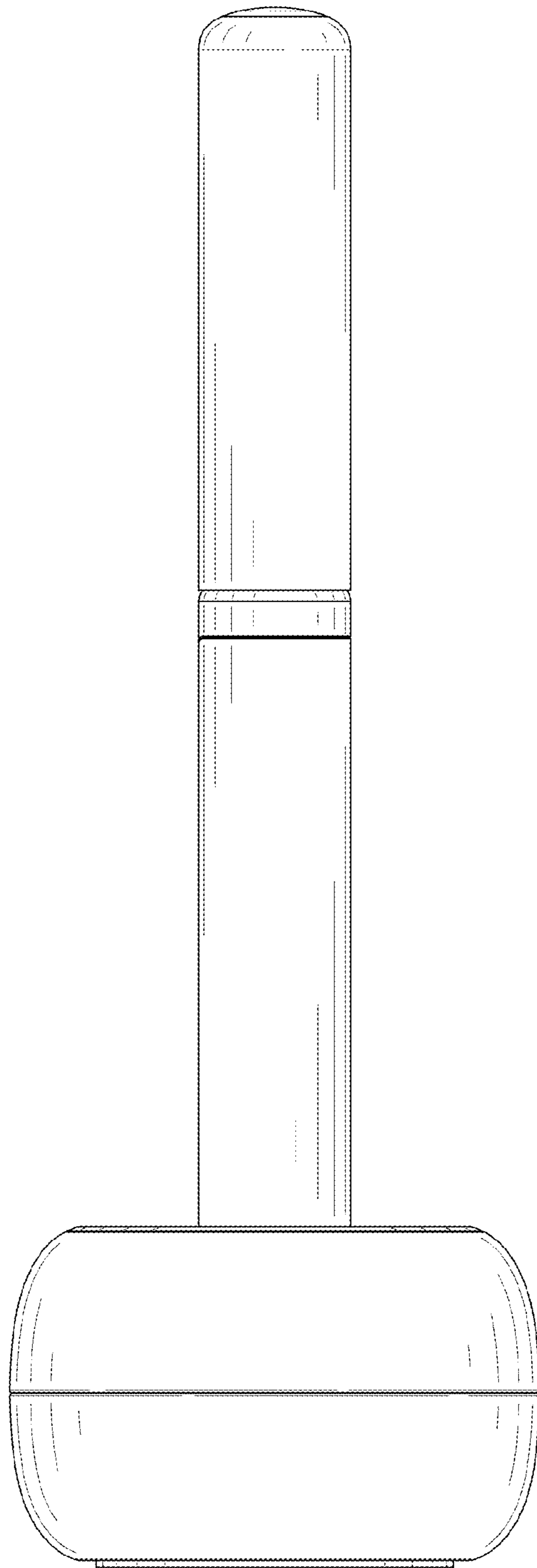


FIG. 3

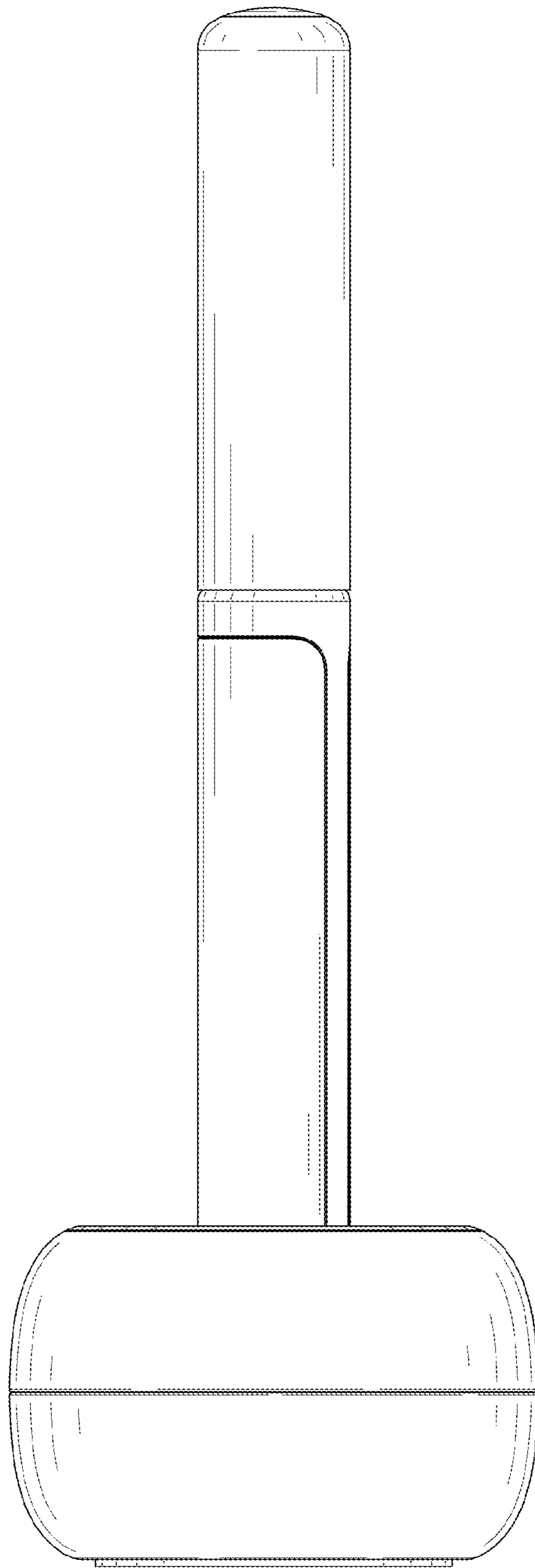


FIG. 4

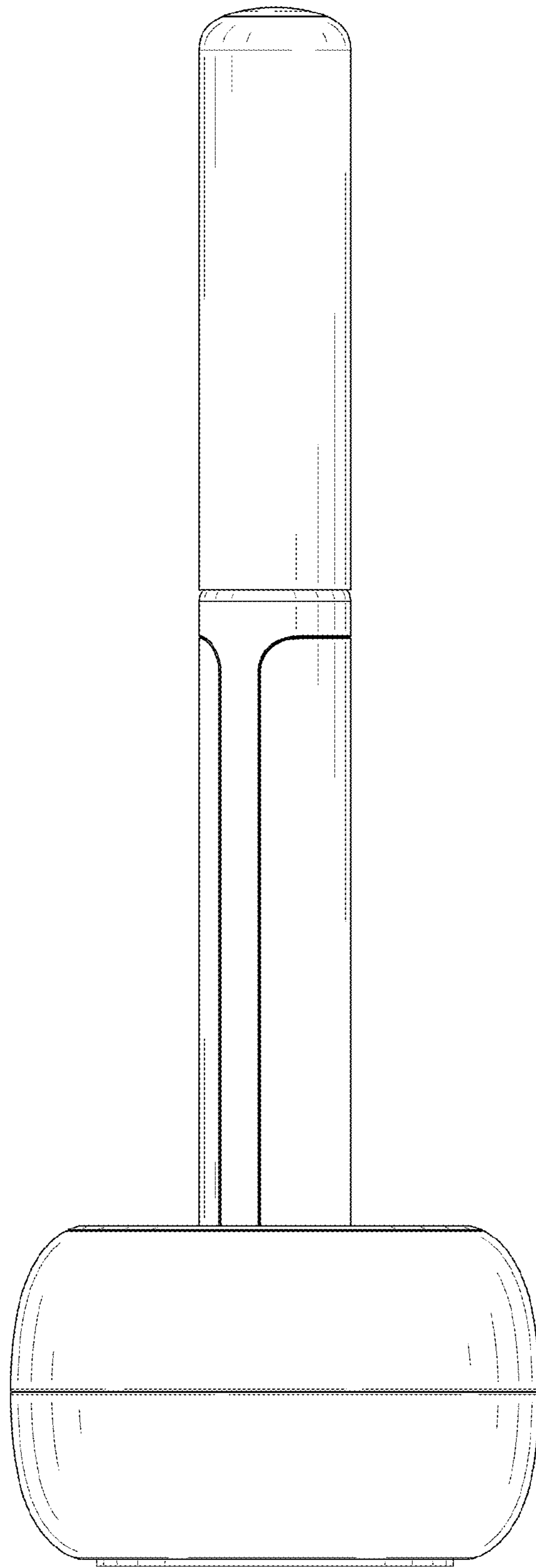


FIG. 5

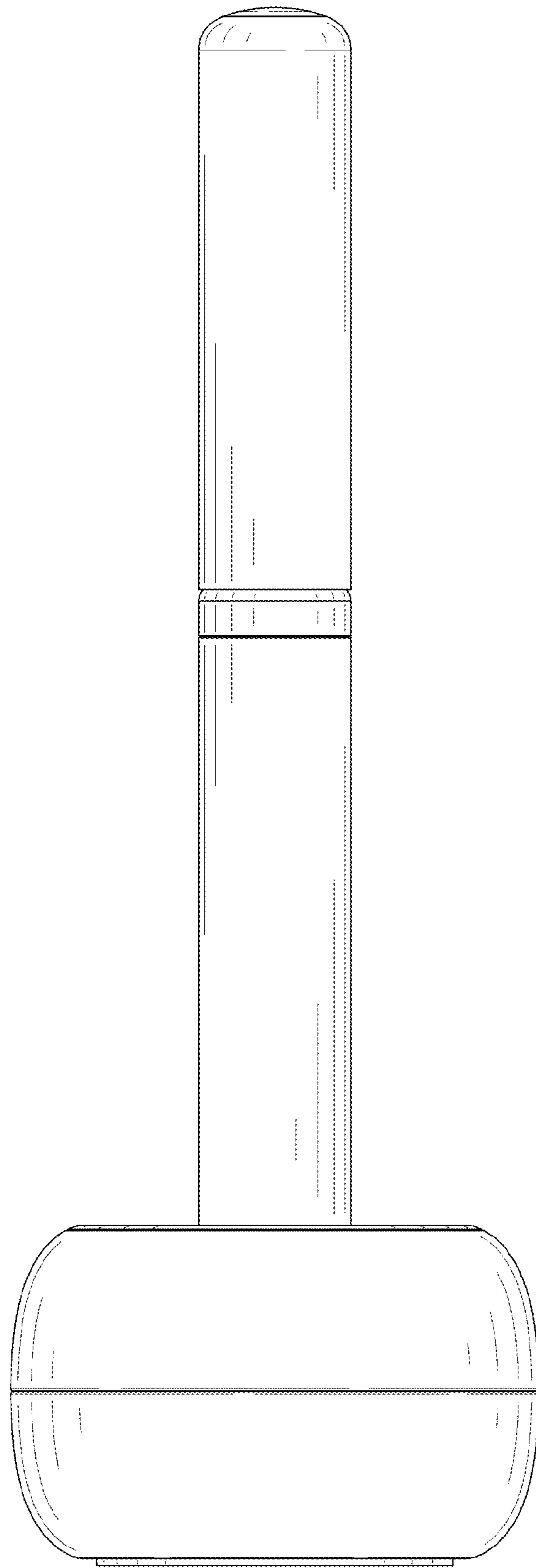


FIG. 6

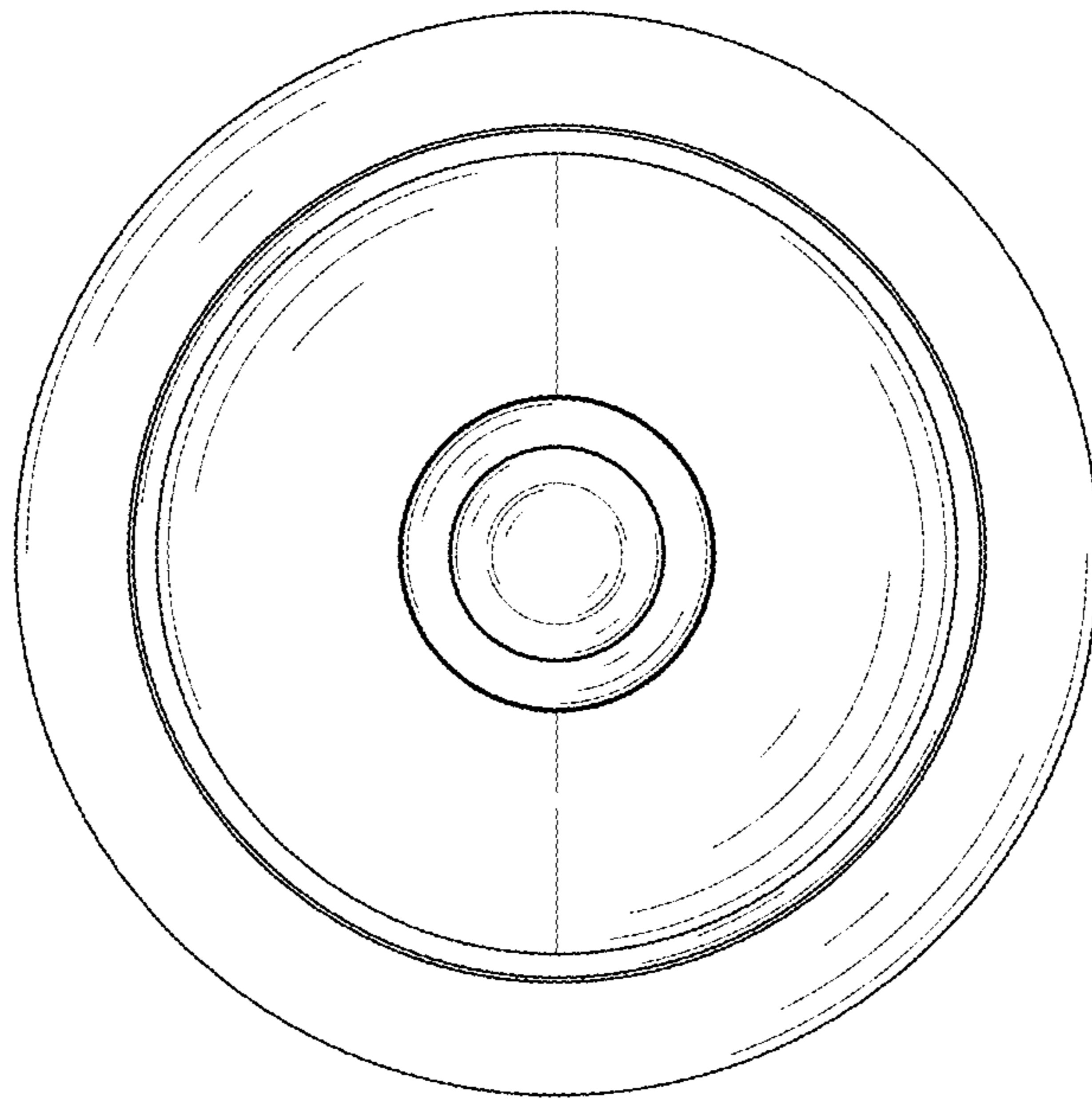


FIG. 7

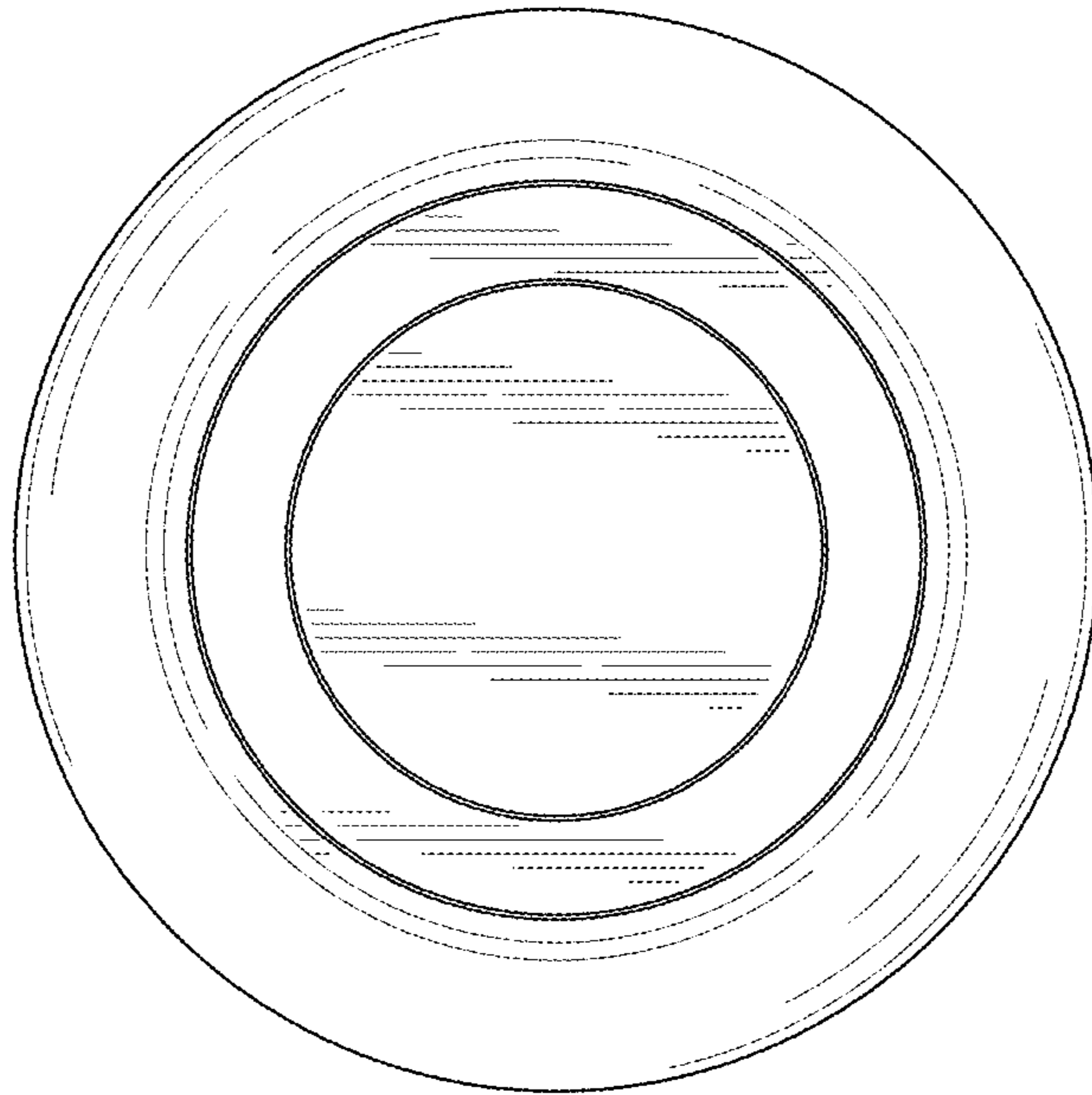


FIG. 8

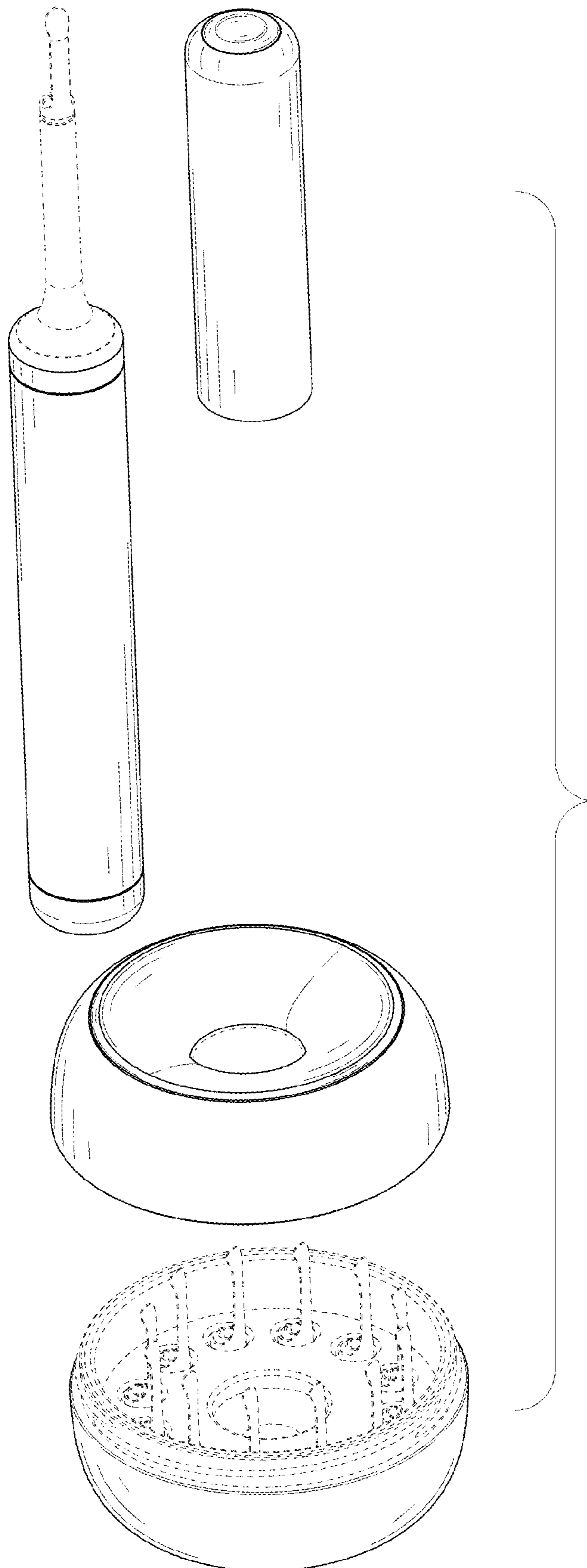


FIG. 9