



US00D960366S

(12) **United States Design Patent** (10) **Patent No.:** **US D960,366 S**
Hirt (45) **Date of Patent:** **** Aug. 9, 2022**

(54) **STORAGE CONTAINER WITH ROLLER**
(71) Applicant: **G.N.I. HORIZON LTD**, Hadera (IL)
(72) Inventor: **Gadi Hirt**, Hadera (IL)
(73) Assignee: **G.N.I. HORIZON LTD**, Hadera (IL)
(**) Term: **15 Years**
(21) Appl. No.: **29/698,916**
(22) Filed: **Jul. 22, 2019**

(30) **Foreign Application Priority Data**

May 30, 2019 (IL) 63765
(51) **LOC (13) Cl.** **24-02**
(52) **U.S. Cl.**
USPC **D24/147**
(58) **Field of Classification Search**
USPC D28/56, 57, 59, 62, 44, 7, 9; D8/107,
D8/14, 98-100, 300, 17, 20, 47, 98-99;
D10/126; D23/223; D24/108, 112-115,
D24/117-122, 127, 133, 146-149, 151,
D24/172-176, 214, 231; D7/649, 669
CPC A61B 10/0266; A61B 17/3205; A61B
17/32053; A61B 2010/0208; A61B
2017/0076; A61B 2090/034; A61B
2090/0811; A61B 2017/00367; A61B
17/06; A61B 17/20; A61B 17/062; A61B
17/00; A61B 17/3211; A61B 2017/00761;
A61B 2017/32113; A61B 2018/1422;
A61B 5/6833; A61B 17/34; A61B 17/32;
A61B 17/16; A61B 2018/00607; A61B
2018/00601; A61B 17/14; A61B 10/0275;
A61B 2217/005; A61B 5/150213; A61B
5/150351; A61B 5/150352; A61B 90/11;
A61M 37/00; A61M 16/0472; A61M
3/00; A61M 1/0039; A61M 1/0064;
A61M 5/20; A61M 5/31; A61M 5/178;
A61M 5/3129; A61M 5/3146; A61M
5/3148; A61M 5/3287; A61H 15/00;
B26B 5/00; A61F 5/0106; A61F 5/0123

See application file for complete search history.

(56) **References Cited**

U.S. PATENT DOCUMENTS

D333,191 S * 2/1993 Rainen 401/208
D414,875 S * 10/1999 Sirois D24/214
(Continued)

FOREIGN PATENT DOCUMENTS

CN 202130083736.0 * 2/2021

OTHER PUBLICATIONS

7 in 1 Derma Roller Microneedling Kit, first available Dec. 27, 2020, amazon.com, [online], [site visited Dec. 2, 2021], Available from internet URL: https://www.amazon.com/Derma-Roller-Microneedling-Skincare%EF%BC%8CCosmetic-Tool%EF%BC%8C/dp/B08769H8DS/ref=pd_vtp_2/137-2904486-8021366?pd_rd_w=TcusS&pf_ (Year: 2020).*

(Continued)

Primary Examiner — Samantha Q Lawrence
Assistant Examiner — Holly M Rodriguez
(74) *Attorney, Agent, or Firm* — Wenderoth, Lind & Ponack, L.L.P.

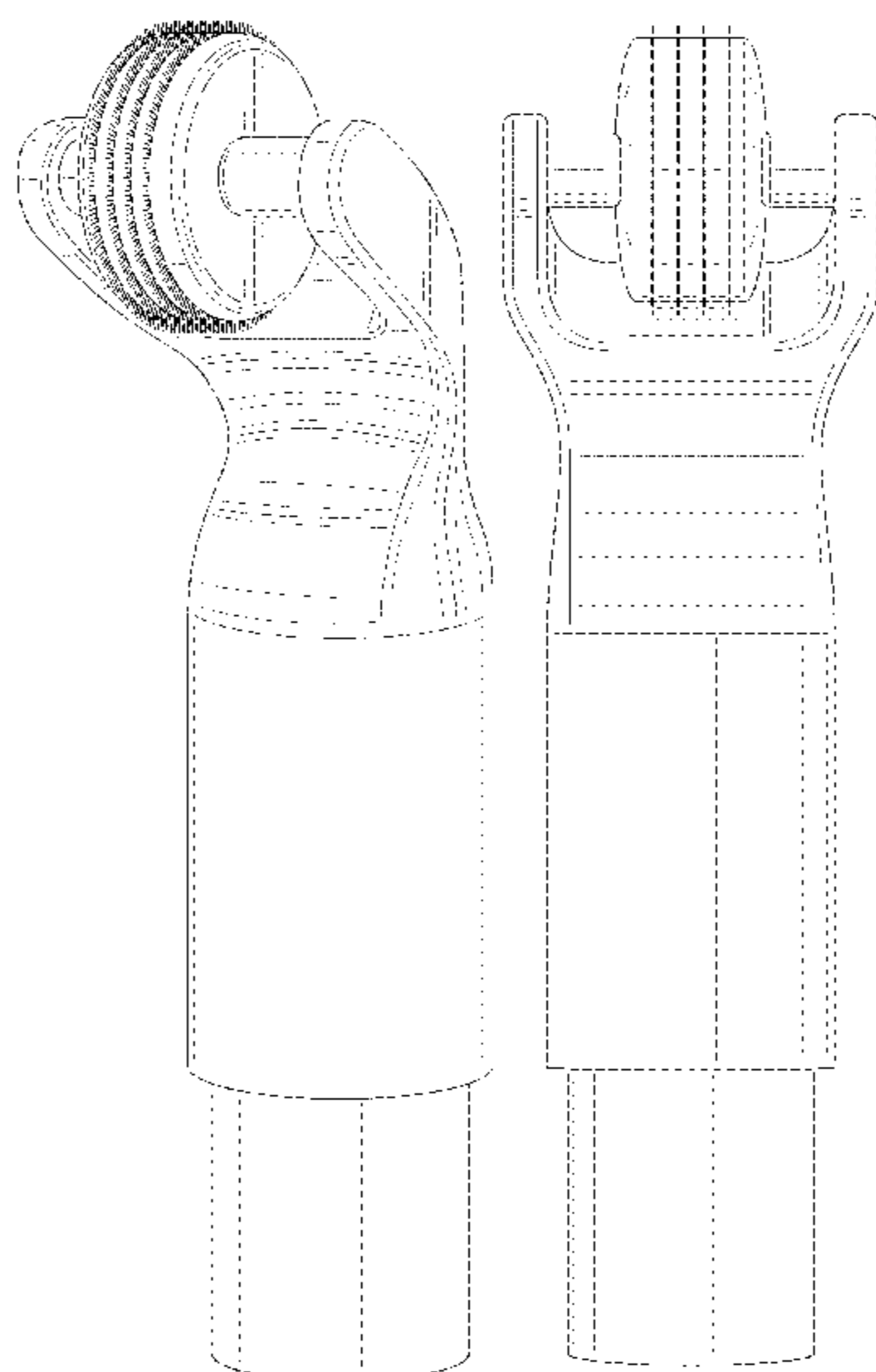
(57) **CLAIM**

The ornamental design for a storage container with roller, as shown and described.

DESCRIPTION

FIG. 1 is a bottom perspective view of the storage container with roller;
FIG. 2 is a left side perspective view thereof;
FIG. 3 is a rear perspective view thereof;
FIG. 4 is a front side perspective view thereof;
FIG. 5 is a front perspective view thereof;
FIG. 6 is a right side perspective view thereof; and,
FIG. 7 is a top perspective view thereof.

1 Claim, 7 Drawing Sheets



(56)

References Cited

U.S. PATENT DOCUMENTS

D481,268 S * 10/2003 Hibbert D7/669
 8,376,984 B2 * 2/2013 James A61M 37/0015
 604/46
 8,721,574 B2 * 5/2014 Han A61M 37/0015
 601/119
 D720,190 S * 12/2014 Iliev D7/682
 9,144,434 B1 * 9/2015 Rodan A61Q 19/02
 D781,498 S * 3/2017 Pel D28/58
 D794,197 S * 8/2017 Powell D24/147
 D818,588 S * 5/2018 Black D24/147
 D820,522 S * 6/2018 Colin D28/58
 D865,293 S * 10/2019 Adams D28/58
 10,893,880 B1 * 1/2021 Hayman A61B 17/062
 2008/0161735 A1 * 7/2008 Lee A61H 15/0092
 601/125
 2009/0312691 A1 * 12/2009 Kim A61H 15/0092
 604/22
 2011/0009782 A1 * 1/2011 Pampalone A61H 15/0092
 601/119
 2011/0040236 A1 * 2/2011 Isaacs A61N 5/0624
 604/20
 2011/0257588 A1 * 10/2011 Knowlton A61B 17/322
 604/22

2015/0374409 A1* 12/2015 Chopdat A61B 17/54
 606/131

OTHER PUBLICATIONS

Derma Roller Real Individual 192Pins Titanium , first available Sep. 22, 2019 amazon.com, [online], [site visited Nov. 24, 2021], Available from internet URL: https://www.amazon.com/Professional-Individual-Microneedle-Microneedling-Exfoliating/dp/B07NJRRQ5S/ref=pd_lpo_3?pd_rd_i=B07NJRRQ5S&th=1 (Year: 2019).*

Microneedle derma roller for face, first available Oct. 21, 2020, amazon.com, [online], [site visited Nov. 24, 2021], Available from internet URL: <https://www.amazon.com/Microneedle-sterilized-titanium-needles-instruction/dp/B07DKZGC74> (Year: 2020).*

Saisze 540 Micro-needling Derma Roller Hair Beard Regrowth Anti Hair, first available May 2, 2020, walmart.com, [online], [site visited Nov. 24, 2021], Available from internet URL: <https://www.walmart.com/ip/Saisze-540-Micro-needling-Derma-Roller-Hair-Beard-Regrowth-Anti-Hair-Loss-Treatment/785347517> (Year: 2020).*

* cited by examiner

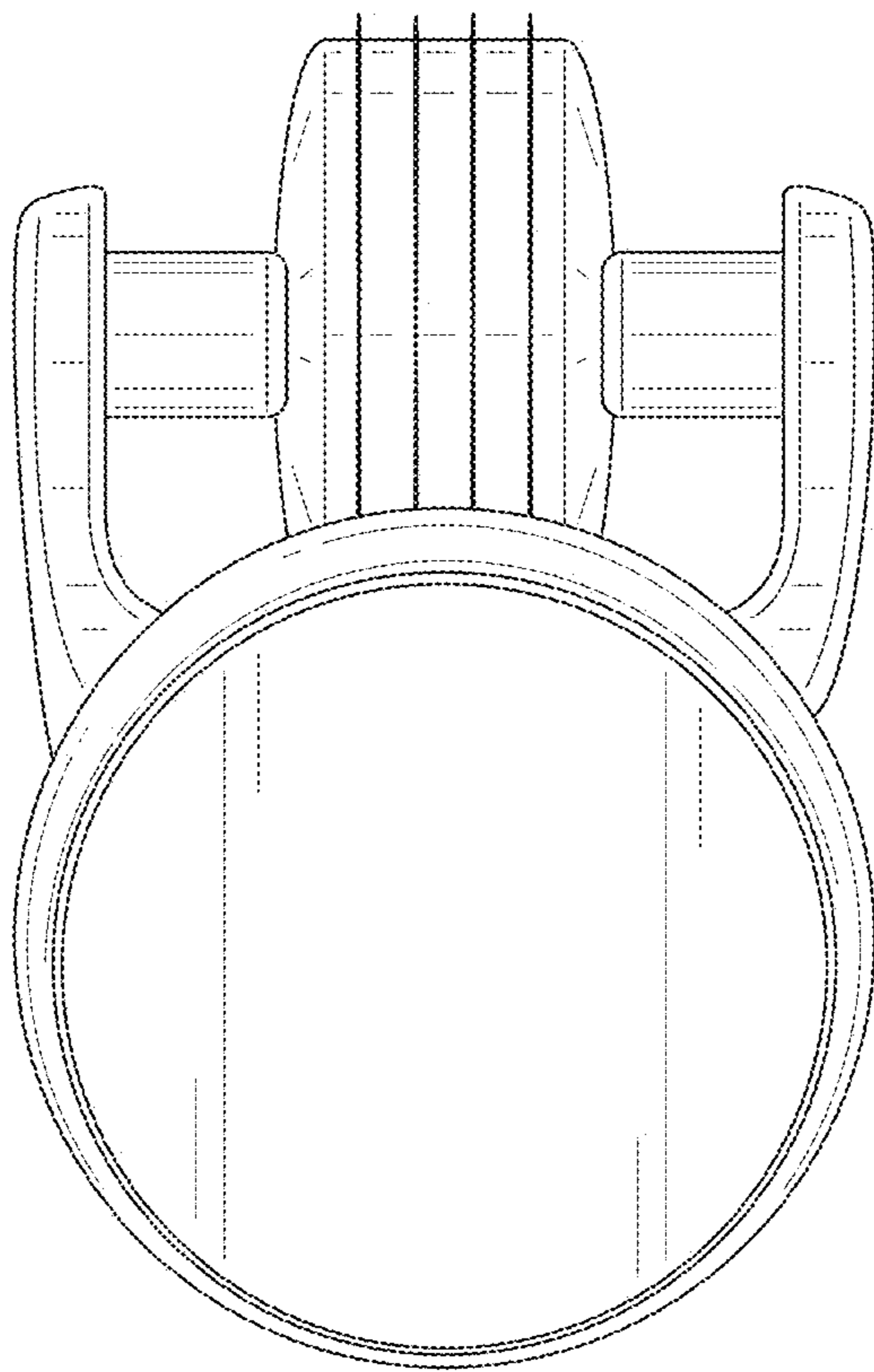


FIG. 1

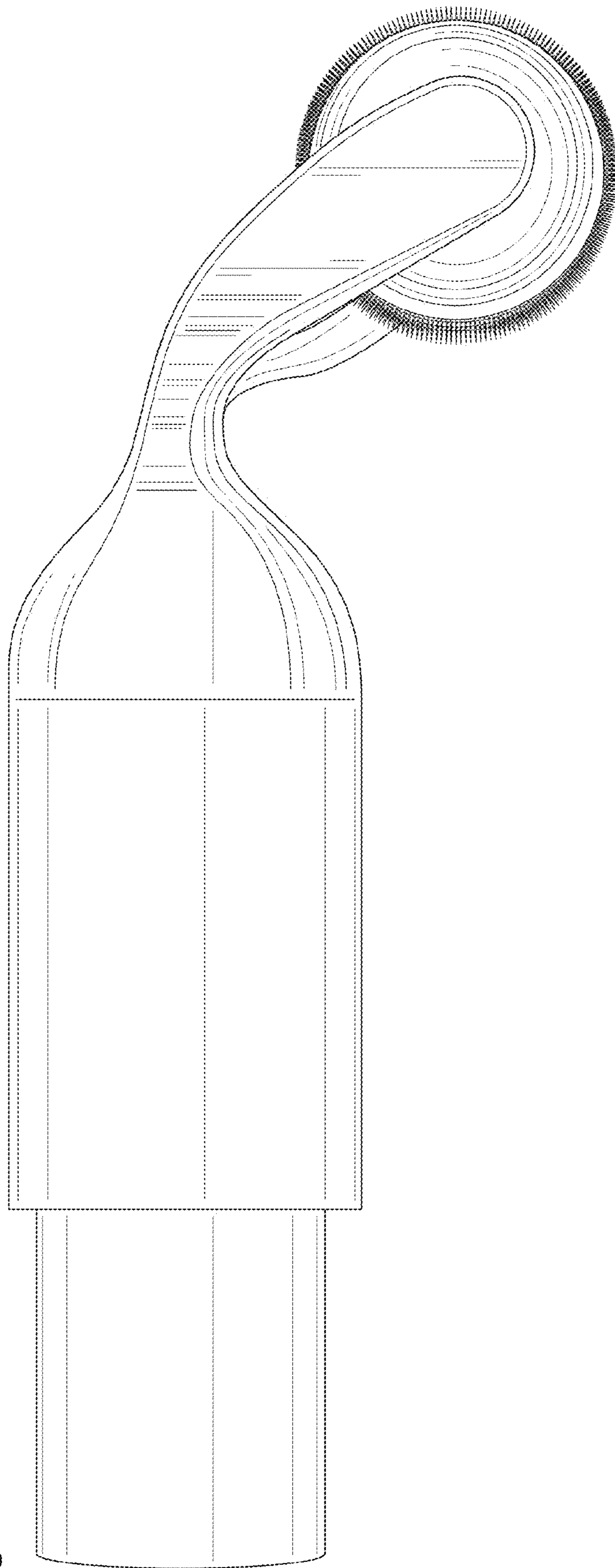


FIG. 2

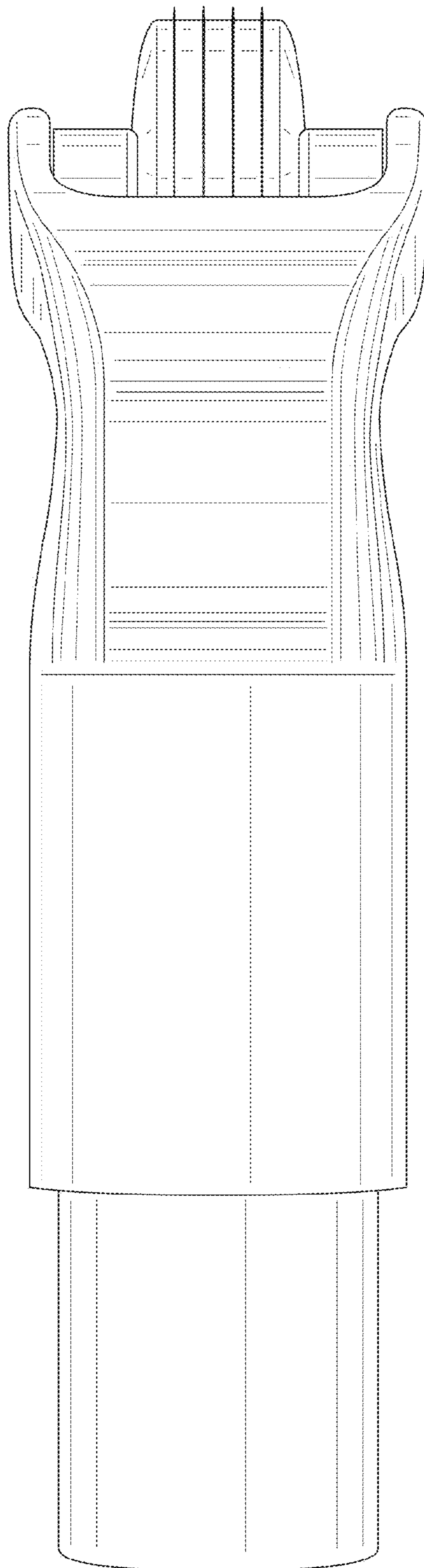


FIG. 3

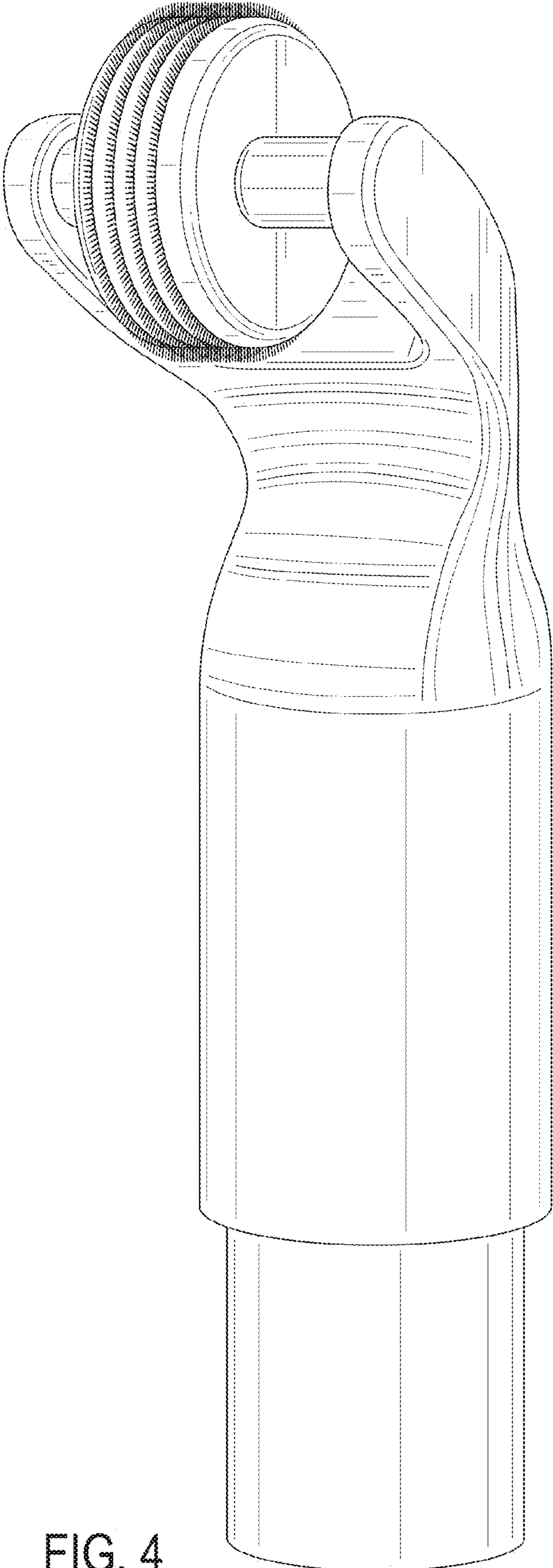


FIG. 4

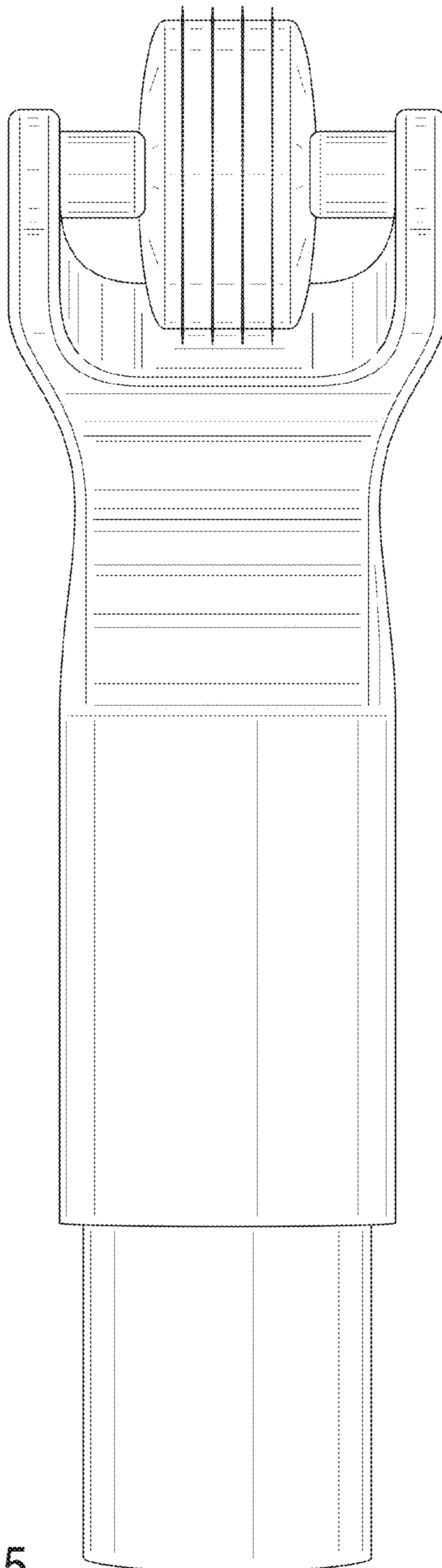


FIG. 5

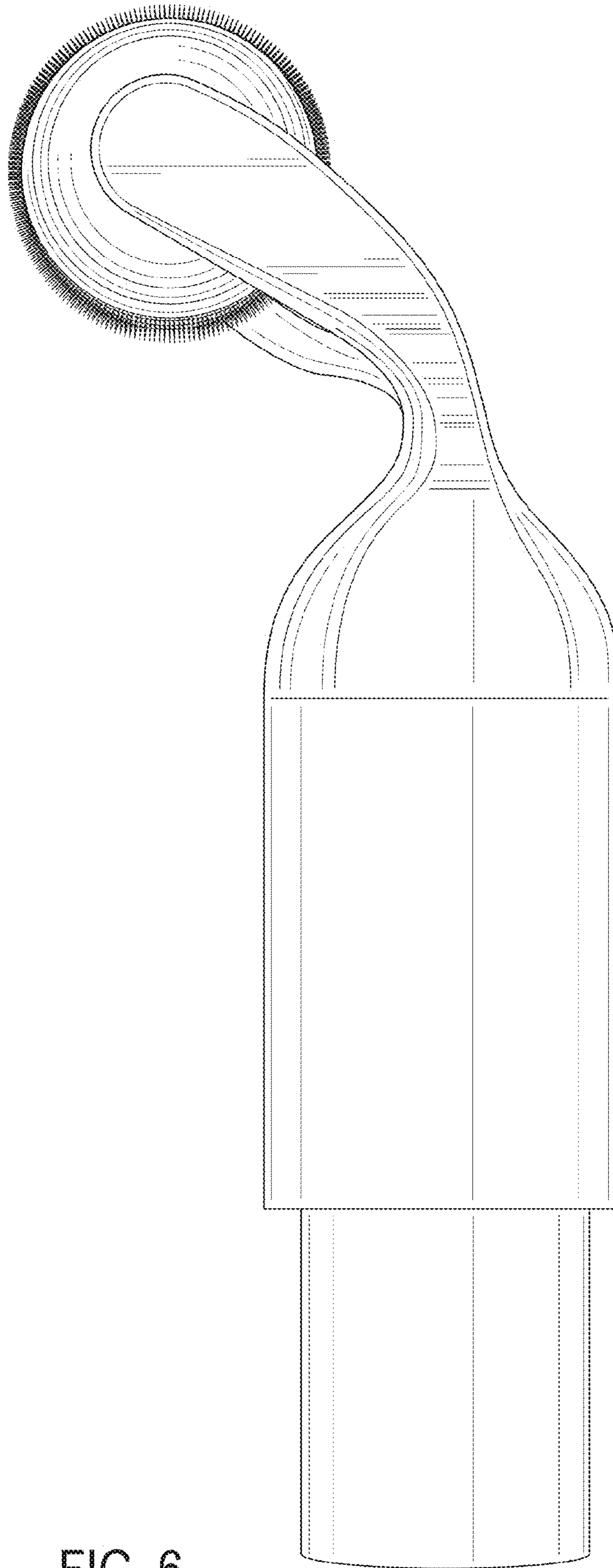


FIG. 6

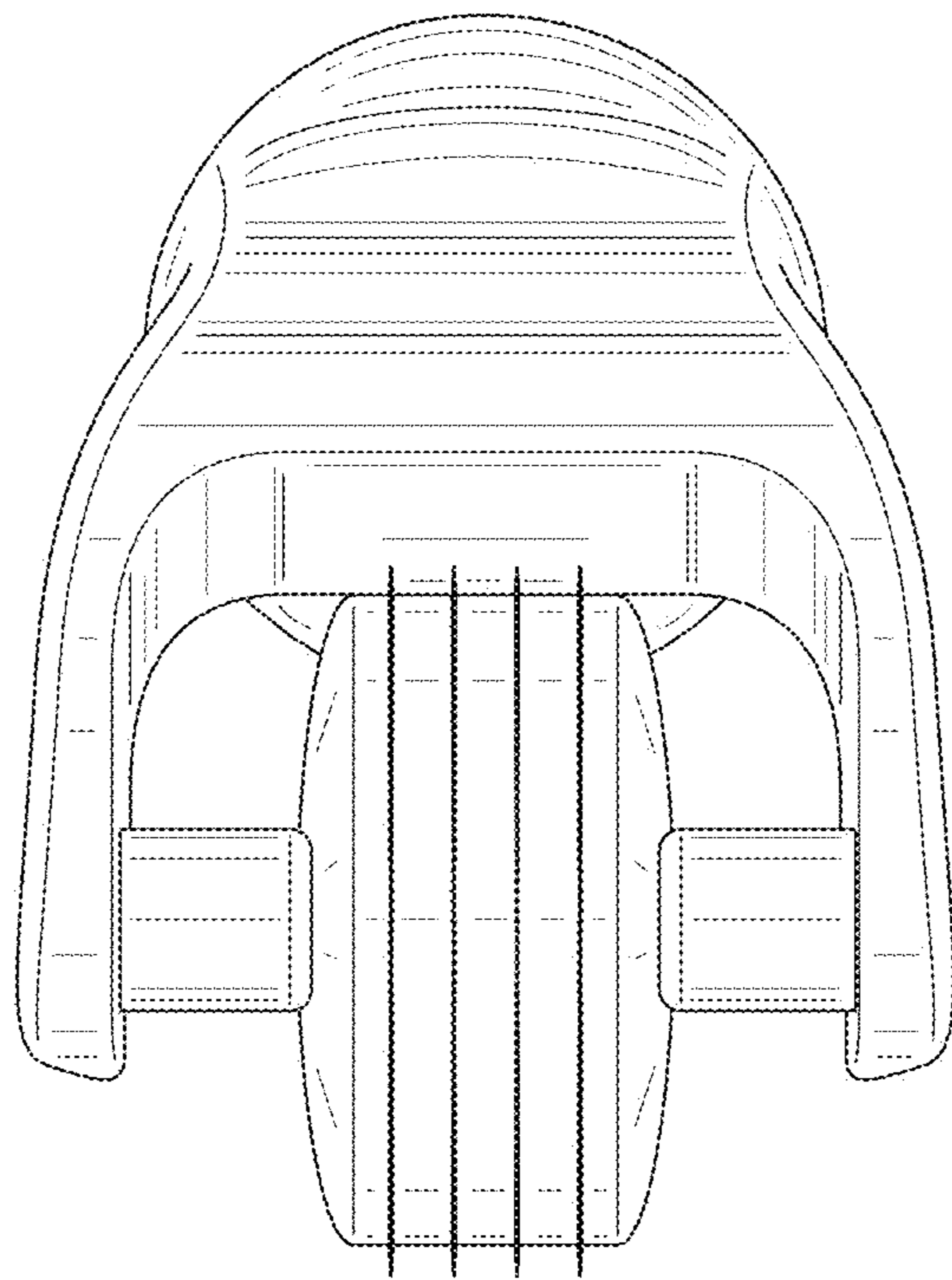


FIG. 7