

US00D960361S

(12) **United States Design Patent**  
**Cohen et al.**

(10) **Patent No.:** **US D960,361 S**

(45) **Date of Patent:** **\*\* Aug. 9, 2022**

(54) **JOYSTICK FOR MEDICAL DEVICE**

(71) Applicant: **Memc Innovative Surgery Ltd., Or Yehuda (IL)**

(72) Inventors: **Dvir Cohen, Ramot-Menashe (IL); Yaron Levinson, Tel-Aviv (IL); Gal Nachshony, Hod Hasharon (IL)**

(73) Assignee: **MEMIC INNOVATIVE SURGERY LTD., Or Yehuda (IL)**

(\*\*) Term: **15 Years**

(21) Appl. No.: **29/737,028**

(22) Filed: **Jun. 4, 2020**

(30) **Foreign Application Priority Data**

Dec. 5, 2019 (EM) ..... 007342670

(51) **LOC (13) Cl.** ..... **24-02**

(52) **U.S. Cl.**  
USPC ..... **D24/138; D24/133**

(58) **Field of Classification Search**  
USPC ..... D24/112-114, 108, 130, 127, 187, 133, D24/134, 135, 136, 137, 138, 140, 144, D24/145, 146, 147, 107; D8/303; D14/412-416; D21/324, 332, 333  
CPC ..... A61B 18/0218; A61B 18/02; A61B 2018/0231; A61B 2018/00452; A61B 17/2909; A61B 17/0469; A61B 17/0483; A61B 17/0485; A61B 1/313; A61B 1/3132; A61B 1/3135; A61B 1/3137; A61B 1/317; A61B 1/32; A61B 17/54; A46B 13/02; A46B 13/008; A63F 9/00; A63F 9/24; A63F 9/25; A63F 13/00; A63F 13/02

See application file for complete search history.

(56) **References Cited**

U.S. PATENT DOCUMENTS

D362,330 S \* 9/1995 Avitan ..... D34/35  
D413,590 S \* 9/1999 Altmann ..... D14/416

D431,972 S \* 10/2000 Naft ..... D7/646  
D436,165 S \* 1/2001 Donaldson ..... D24/113  
D442,179 S \* 5/2001 Alviar ..... D14/412  
D449,614 S \* 10/2001 Osborn ..... D14/412  
D450,702 S \* 11/2001 Sagawa ..... D14/412  
D454,569 S \* 3/2002 Osborn ..... D14/412  
D462,685 S \* 9/2002 Yamamoto ..... D14/415

(Continued)

*Primary Examiner* — T Chase Nelson

*Assistant Examiner* — Kelly L Gross

(74) *Attorney, Agent, or Firm* — Vorys, Sater, Seymour and Pease LLP; William L. Klima

(57) **CLAIM**

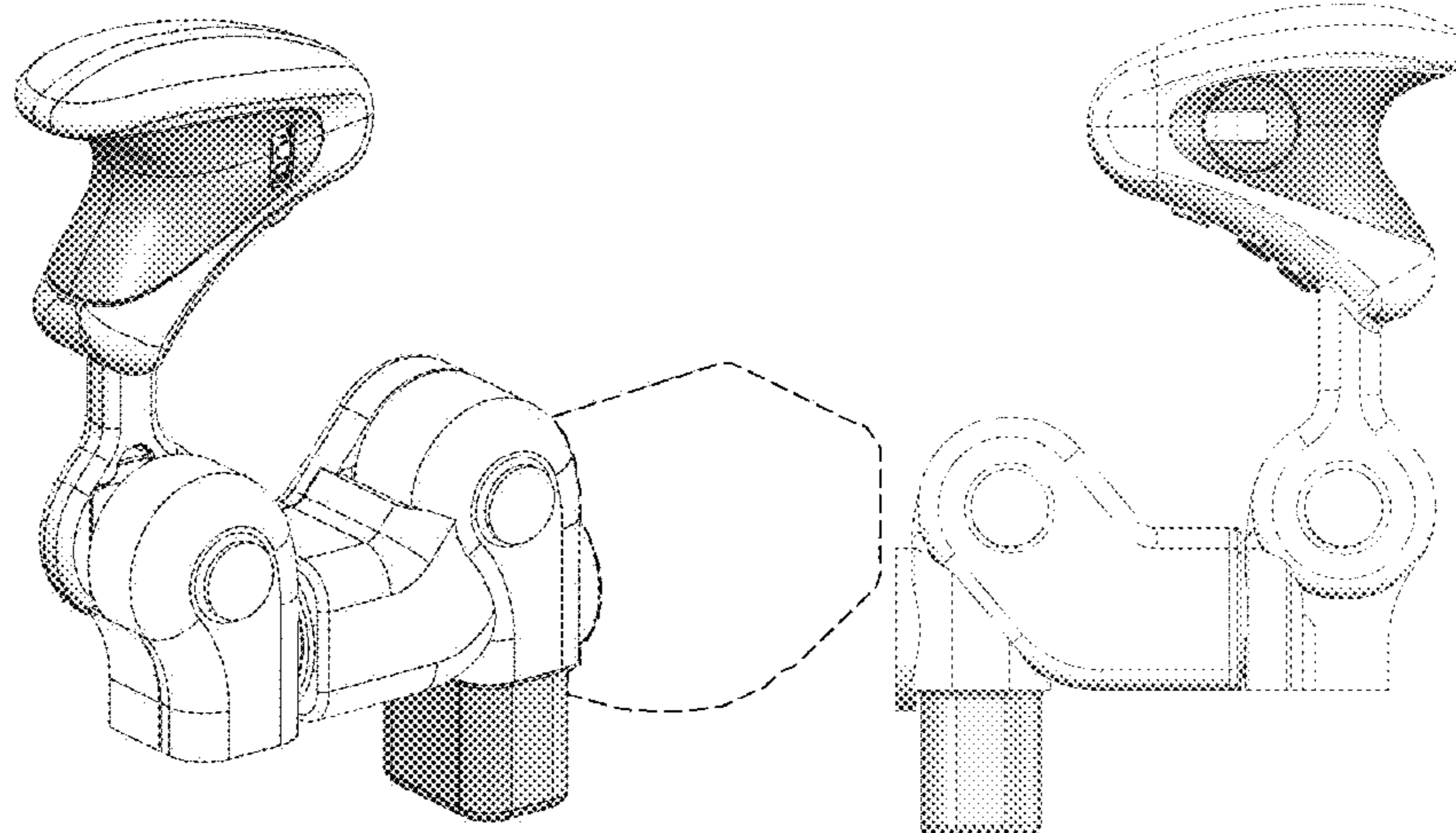
The ornamental design for a joystick for medical device, as shown and described.

**DESCRIPTION**

FIG. 1 is a perspective view of a first embodiment of the joystick for medical device;  
FIG. 2 is another perspective view thereof;  
FIG. 3 is a front view thereof;  
FIG. 4 is a rear view thereof;  
FIG. 5 is a left side view thereof;  
FIG. 6 is a right side view thereof;  
FIG. 7 is a top view thereof;  
FIG. 8 is a bottom view thereof;  
FIG. 9 is a perspective view of a second embodiment of the joystick for medical device;  
FIG. 10 is a left side view thereof;  
FIG. 11 is a right side view thereof;  
FIG. 12 is a front view thereof;  
FIG. 13 is a rear view thereof;  
FIG. 14 is a top view thereof; and,  
FIG. 15 is a bottom view thereof.

The broken lines and unshaded surfaces they surround in the drawings illustrate portions of the joystick for medical device that form no part of the claimed design.

**1 Claim, 15 Drawing Sheets**



(56)

References Cited

U.S. PATENT DOCUMENTS

D478,385 S \* 8/2003 Dirks ..... D24/215  
 D478,986 S \* 8/2003 Johnston ..... D24/146  
 D495,413 S \* 8/2004 Perry ..... D24/108  
 D508,227 S \* 8/2005 Rick ..... D12/317  
 D508,964 S \* 8/2005 Gollither ..... D21/566  
 D510,310 S \* 10/2005 Rick ..... D12/317  
 D510,559 S \* 10/2005 Rick ..... D12/317  
 D526,709 S \* 8/2006 Engelen ..... D23/360  
 D536,153 S \* 1/2007 Niebuhr ..... D14/415  
 D536,444 S \* 2/2007 Bacher ..... D24/133  
 D536,445 S \* 2/2007 Bacher ..... D24/133  
 D536,785 S \* 2/2007 Bacher ..... D24/133  
 D548,843 S \* 8/2007 Kertz ..... D24/188  
 D559,749 S \* 1/2008 Barbieri ..... D12/179  
 D566,132 S \* 4/2008 Mack ..... D15/28  
 D568,796 S \* 5/2008 Oliver ..... D12/179  
 D577,359 S \* 9/2008 Cigarini ..... D14/416  
 D579,833 S \* 11/2008 Acenbrak ..... D12/179  
 D584,312 S \* 1/2009 Bishop ..... D21/333  
 D589,515 S \* 3/2009 Brunner ..... D14/412  
 D607,515 S \* 1/2010 Oikawa ..... D21/333  
 D611,477 S \* 3/2010 Brunner ..... D14/412  
 D617,240 S \* 6/2010 Rosenbohm ..... D12/179  
 D619,583 S \* 7/2010 Wintour ..... D14/426  
 D627,066 S \* 11/2010 Romero ..... D24/133  
 D633,111 S \* 2/2011 Muraoka ..... D15/28  
 D635,155 S \* 3/2011 Blind ..... D15/28  
 D636,306 S \* 4/2011 Pohanka ..... D12/179  
 D636,872 S \* 4/2011 Marescaux ..... D24/133  
 D640,258 S \* 6/2011 Hobenshield ..... D21/333  
 D640,789 S \* 6/2011 Peine ..... D24/133  
 D645,046 S \* 9/2011 Hobenshield ..... D21/333  
 D650,073 S \* 12/2011 Pedersen ..... D24/133  
 D658,759 S \* 5/2012 Marescaux ..... D24/133  
 D660,448 S \* 5/2012 Lum ..... D24/209  
 D671,565 S \* 11/2012 Kinoshita ..... D15/28  
 D678,283 S \* 3/2013 Olson ..... D14/412  
 D681,810 S \* 5/2013 DeCarlo ..... D24/144  
 D686,622 S \* 7/2013 Rey ..... D15/28  
 D698,357 S \* 1/2014 Mainville ..... D12/174  
 D698,358 S \* 1/2014 Beams ..... D14/412  
 D698,921 S \* 2/2014 Koennecke ..... D24/138  
 D704,189 S \* 5/2014 Rey ..... D15/28  
 D706,980 S \* 6/2014 Tasar ..... D24/209  
 D710,662 S \* 8/2014 Kawase ..... D8/8  
 D720,350 S \* 12/2014 Haubrich ..... D14/415  
 D721,308 S \* 1/2015 Kakinuma ..... D12/179  
 D722,383 S \* 2/2015 Cole ..... D24/200

D723,033 S \* 2/2015 Hoock ..... D14/412  
 D727,904 S \* 4/2015 Jensen ..... D14/415  
 D731,487 S \* 6/2015 Matloff ..... D14/412  
 D734,335 S \* 7/2015 Jensen ..... D14/415  
 D734,750 S \* 7/2015 Jensen ..... D14/415  
 D741,863 S \* 10/2015 Hoock ..... D14/413  
 D743,324 S \* 11/2015 Deng ..... D12/400  
 D744,917 S \* 12/2015 Persson ..... D12/179  
 D745,009 S \* 12/2015 Jensen ..... D14/415  
 D753,660 S \* 4/2016 Zhou ..... D14/428  
 D759,731 S \* 6/2016 Roemer ..... D15/28  
 D765,079 S \* 8/2016 Hoock ..... D14/412  
 D768,728 S \* 10/2016 Okuyama ..... D15/28  
 D786,944 S \* 5/2017 Okuyama ..... D15/28  
 D790,059 S \* 6/2017 Osada ..... D24/138  
 D790,295 S \* 6/2017 Tinius ..... D8/1  
 D793,186 S \* 8/2017 Tinius ..... D8/1  
 D799,036 S \* 10/2017 Osada ..... D24/138  
 D799,038 S \* 10/2017 Chang ..... D24/146  
 D809,139 S \* 1/2018 Marsot ..... D24/145  
 D813,203 S \* 3/2018 Hardi ..... D14/218  
 9,980,736 B2 \* 5/2018 Chung ..... A61B 17/1622  
 D820,972 S \* 6/2018 Klever ..... D24/108  
 D826,234 S \* 8/2018 Zhou ..... D14/428  
 D831,905 S \* 10/2018 Benacquisto ..... D30/158  
 D835,845 S \* 12/2018 Graves ..... D28/51  
 D840,547 S \* 2/2019 Harle ..... D24/214  
 D844,608 S \* 4/2019 Chen ..... D21/333  
 D852,357 S \* 6/2019 Osada ..... D24/138  
 D860,441 S \* 9/2019 Spycher ..... D24/133  
 D862,817 S \* 10/2019 Baxter ..... D32/34  
 D863,446 S \* 10/2019 Bristol ..... D21/333  
 D866,481 S \* 11/2019 DeCosta ..... D13/155  
 D868,669 S \* 12/2019 Kruk ..... D14/416  
 D868,670 S \* 12/2019 Kruk ..... D14/416  
 D870,294 S \* 12/2019 Bechtel ..... D24/186  
 D872,665 S \* 1/2020 Lewis ..... D12/179  
 D877,332 S \* 3/2020 Suzuki ..... D24/138  
 D884,166 S \* 5/2020 Wang ..... D24/133  
 D888,946 S \* 6/2020 Green ..... A61F 2/966  
 D897,929 S \* 10/2020 Culp ..... D12/345  
 D902,403 S \* 11/2020 Marsot ..... D24/145  
 D904,252 S \* 12/2020 Duncan ..... D12/174  
 10,863,804 B2 \* 12/2020 Shintani ..... B25G 1/102  
 D911,521 S \* 2/2021 Swift ..... D24/135  
 D922,448 S \* 6/2021 Ritchie ..... D15/28  
 D927,955 S \* 8/2021 Kaneko ..... D12/179  
 D929,585 S \* 8/2021 Sharp ..... D24/138

\* cited by examiner

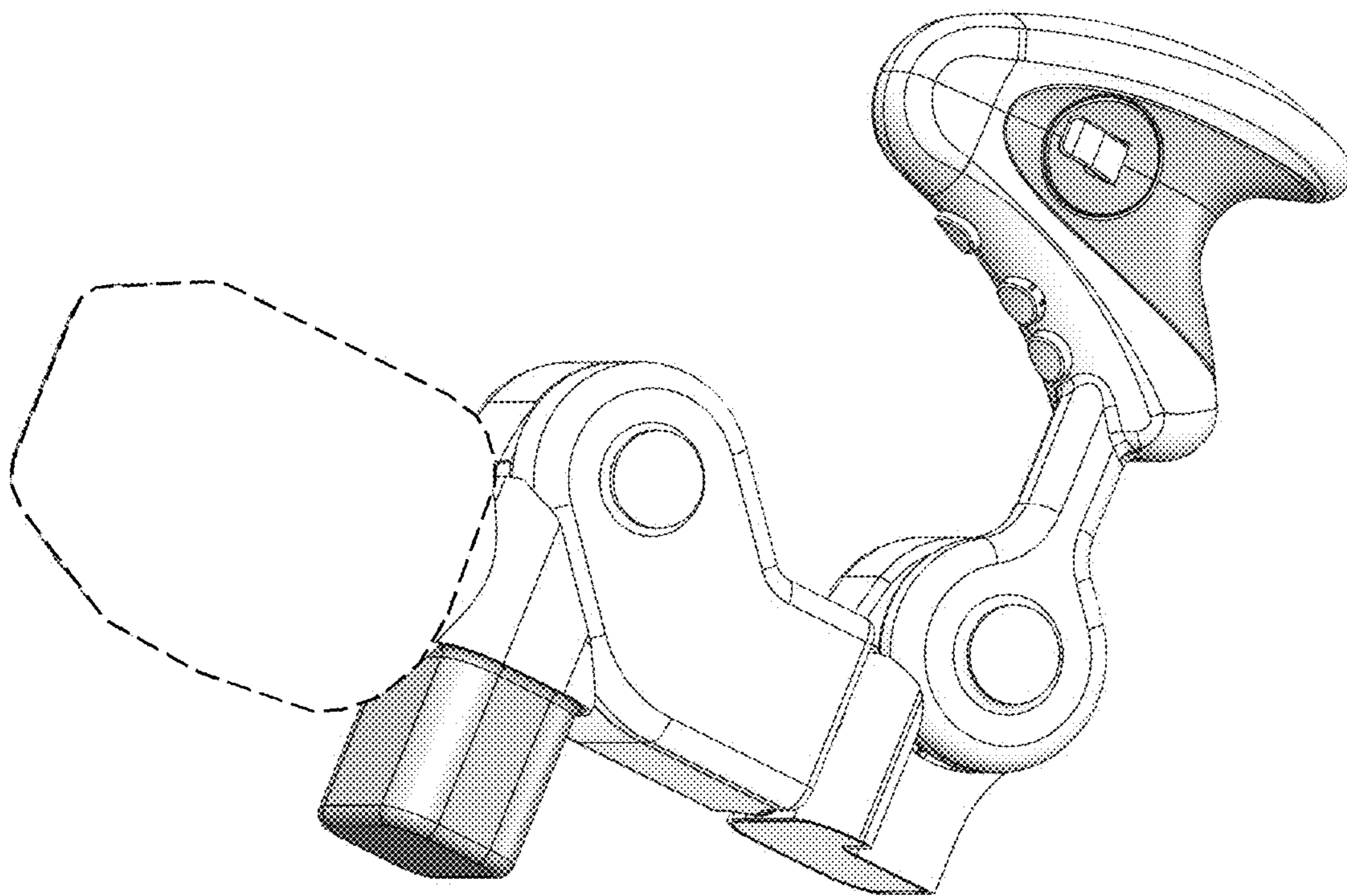


FIG. 1

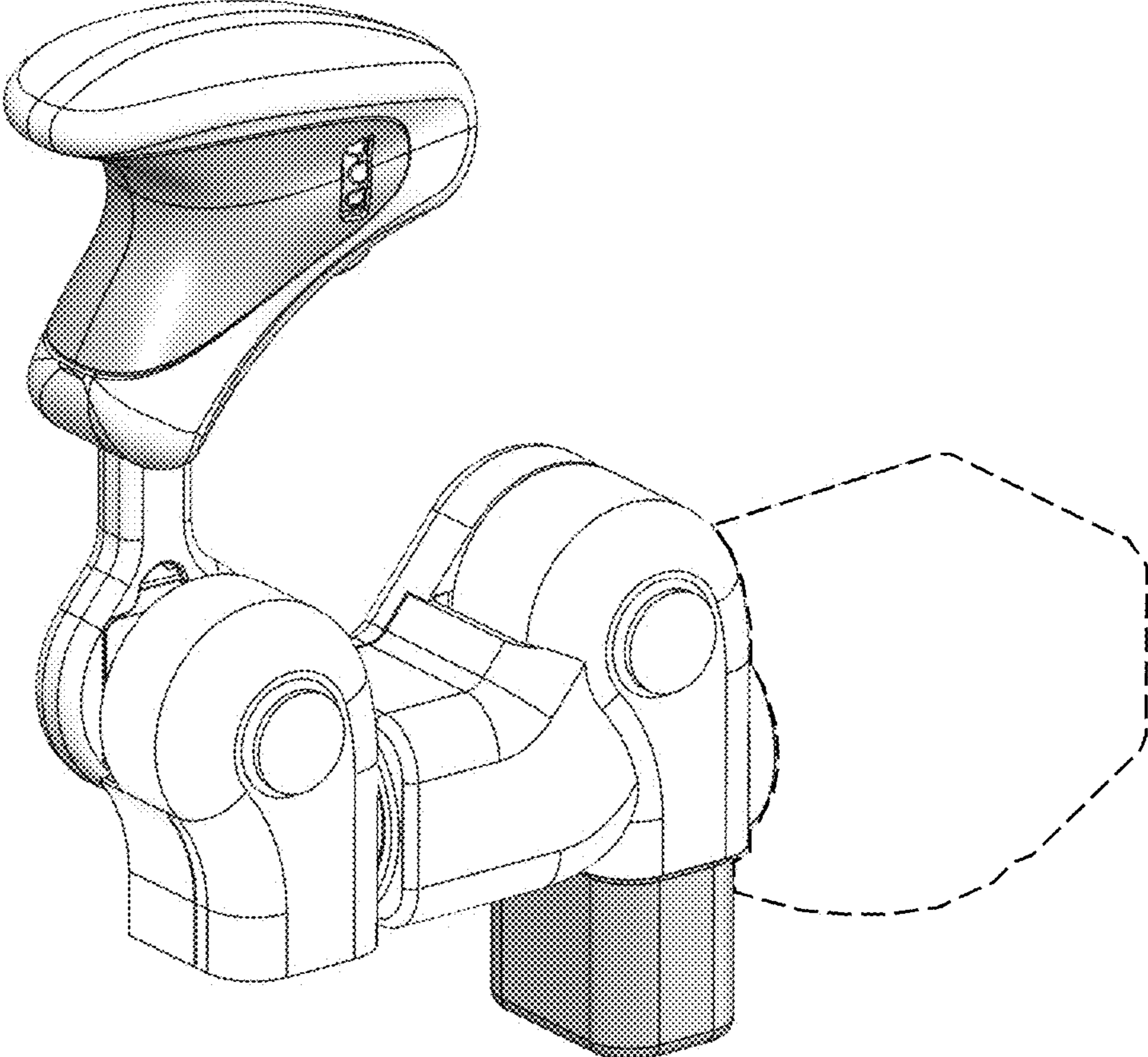


FIG. 2

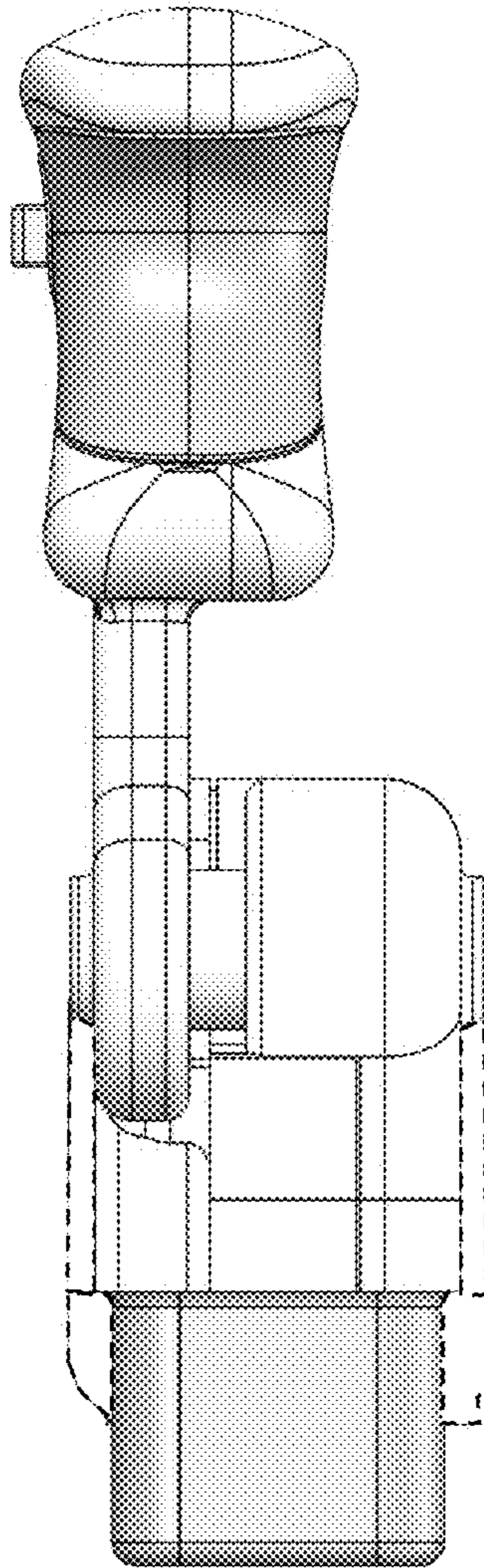


FIG. 3

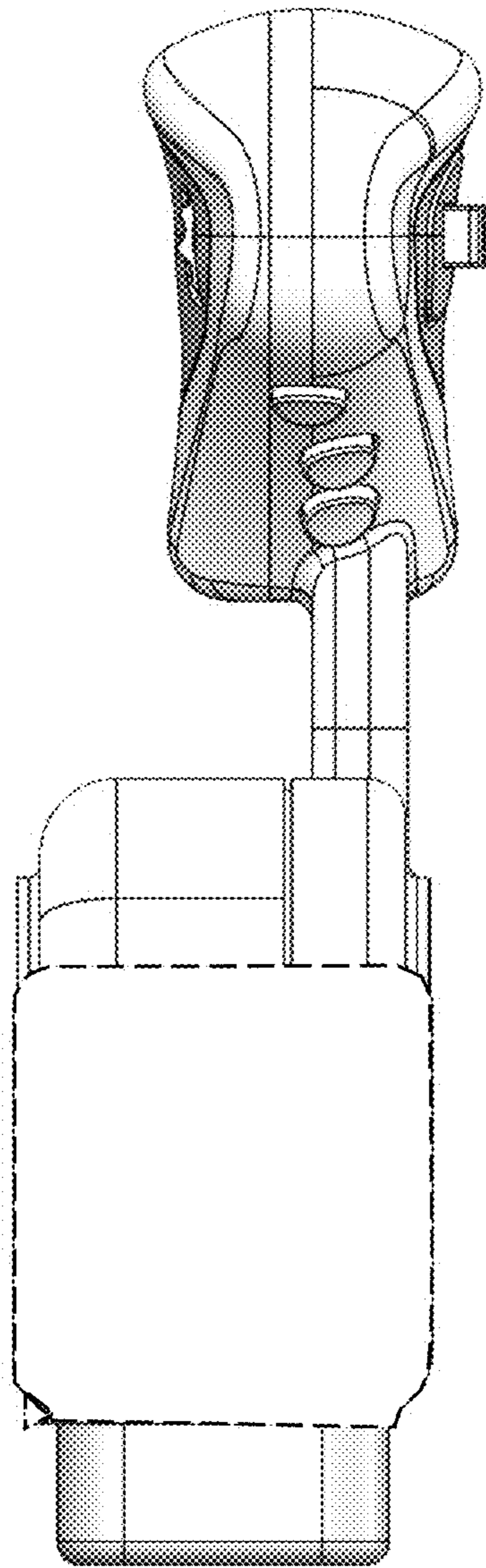


FIG. 4

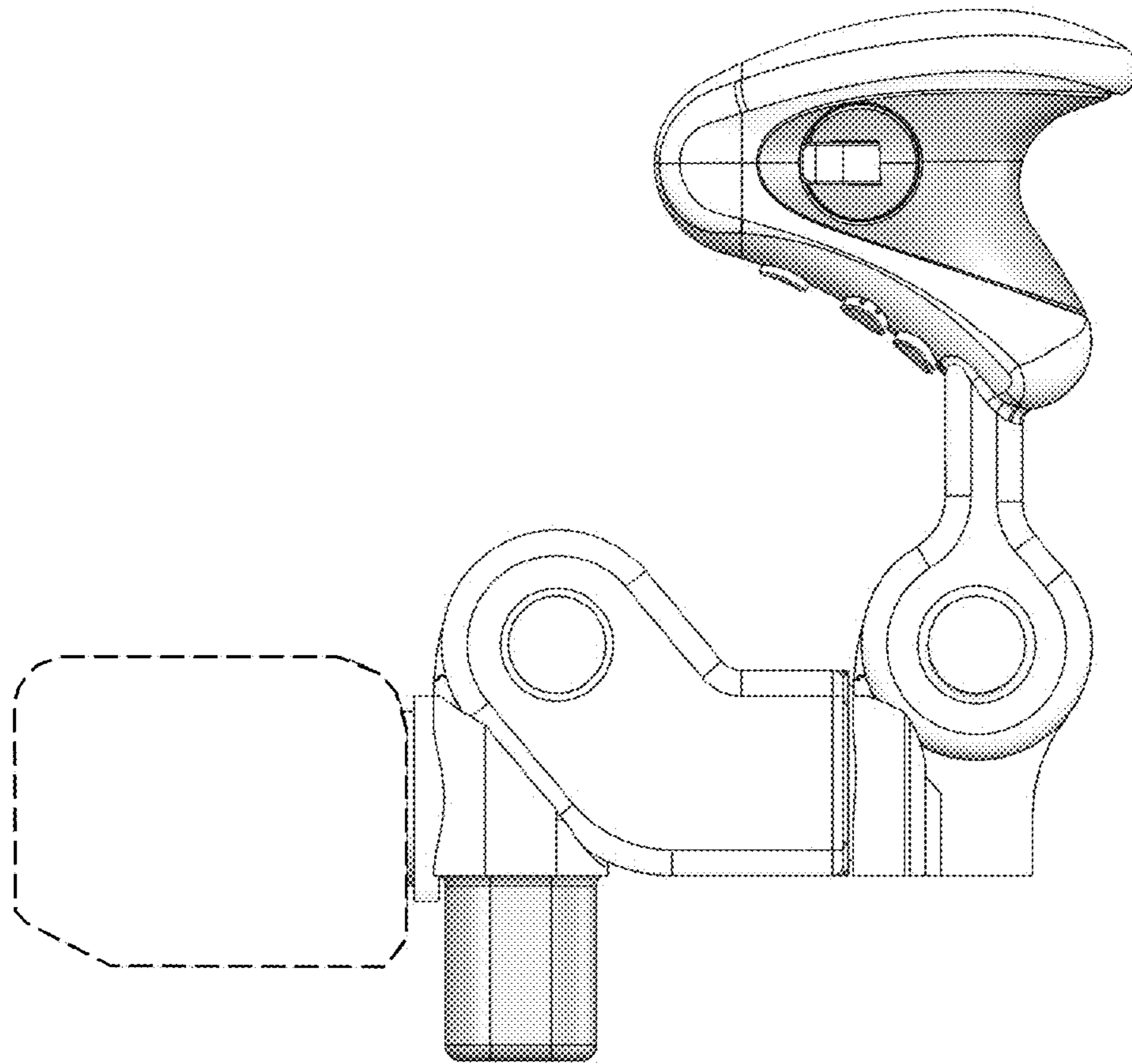


FIG. 5

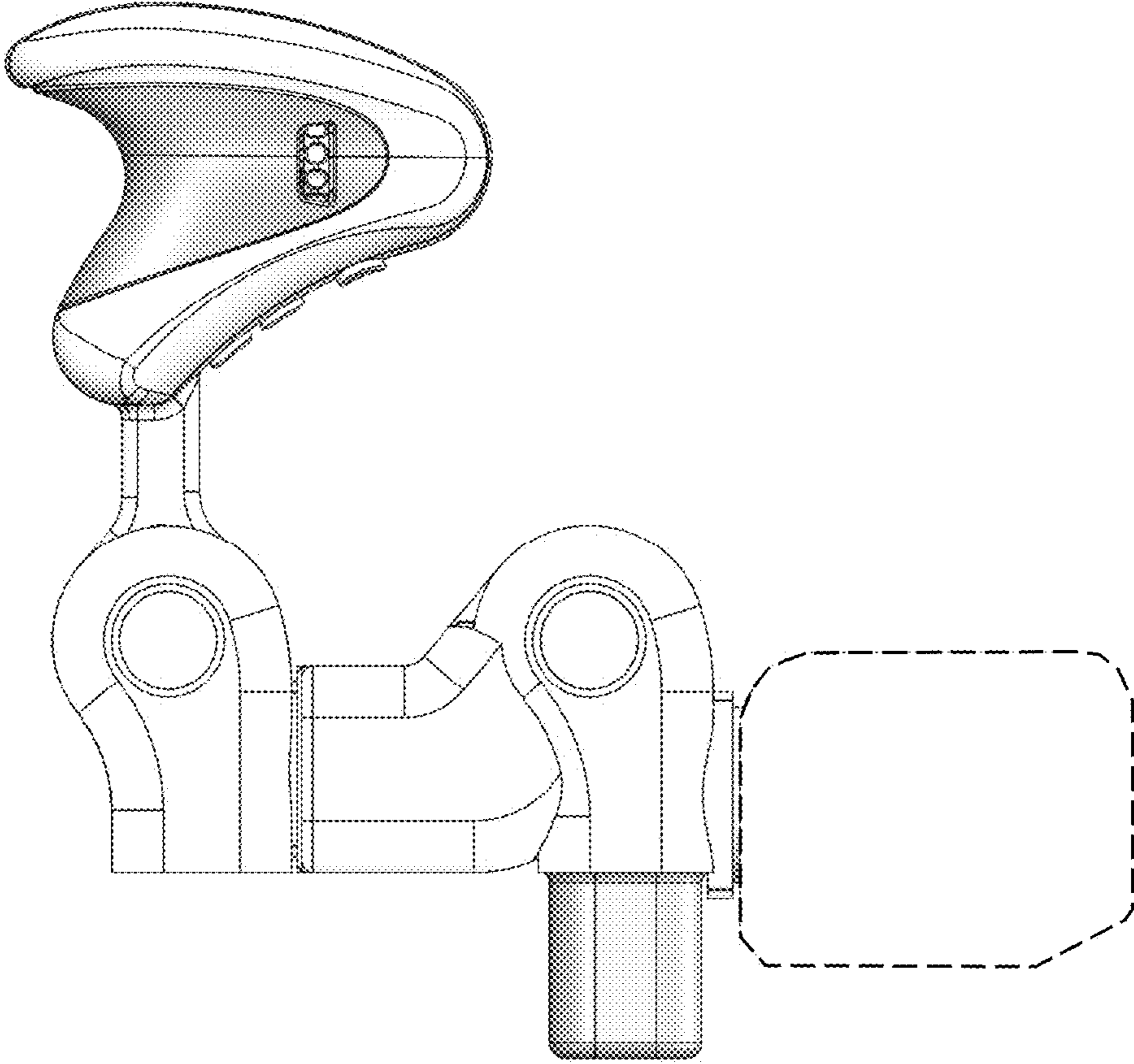


FIG. 6



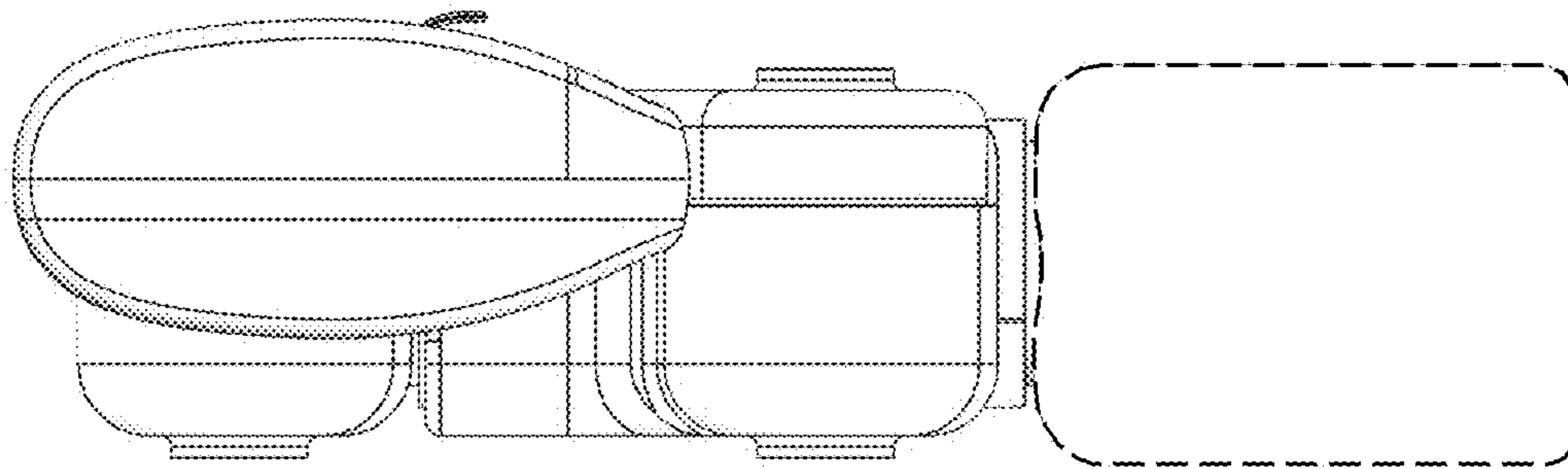


FIG. 7

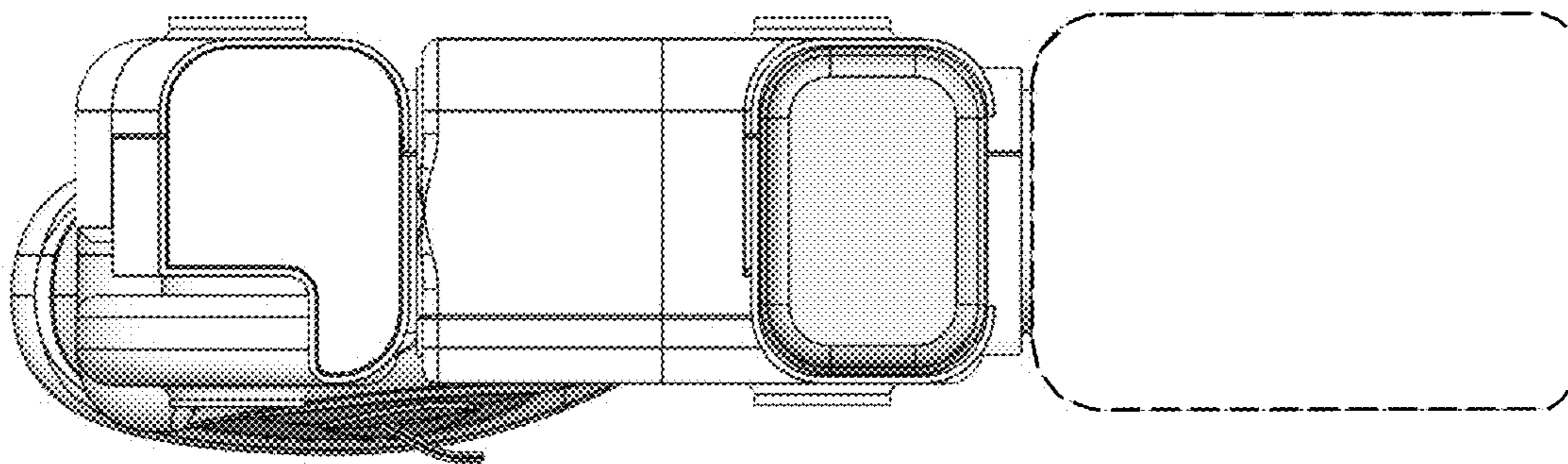


FIG. 8

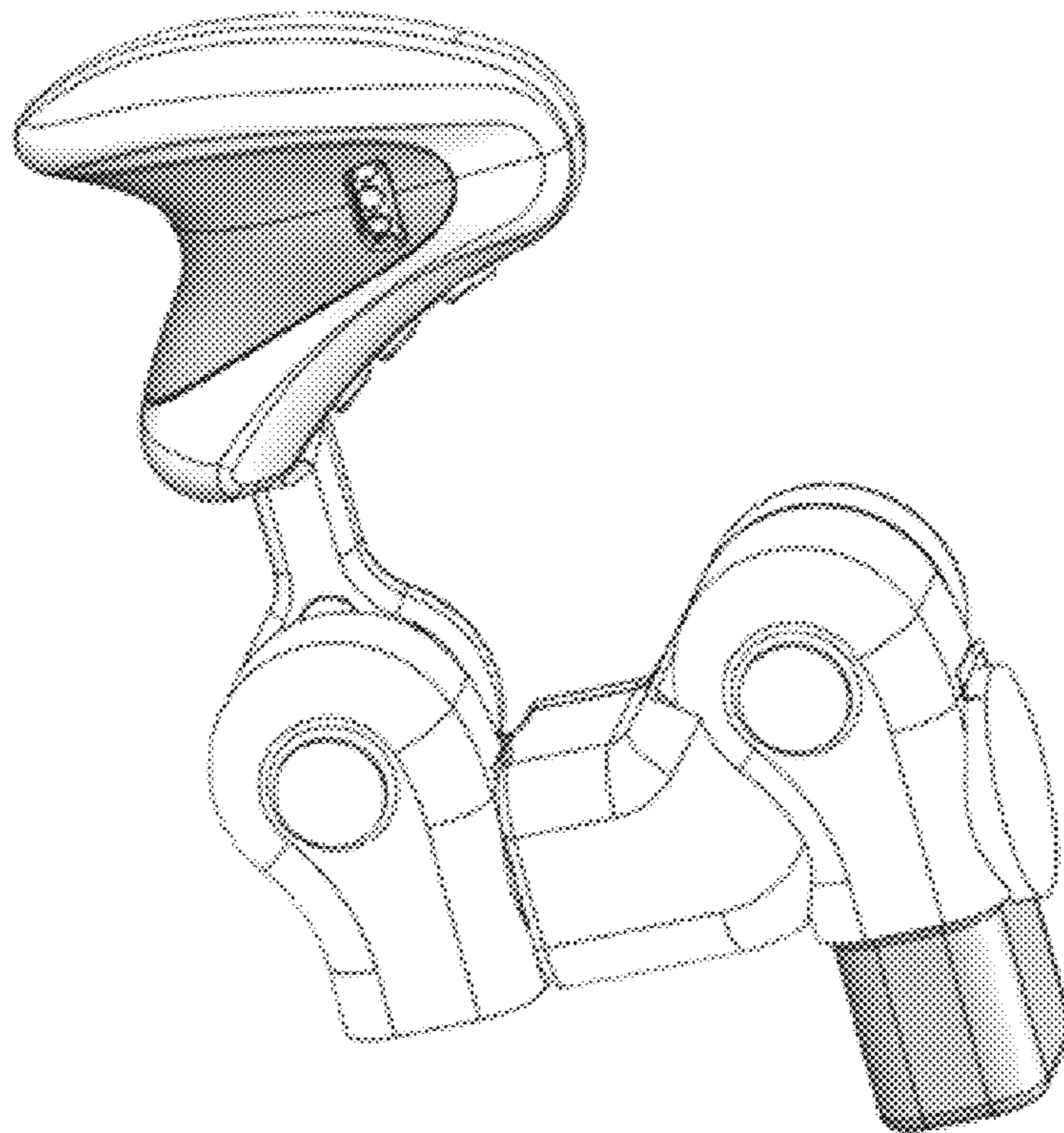


FIG. 9

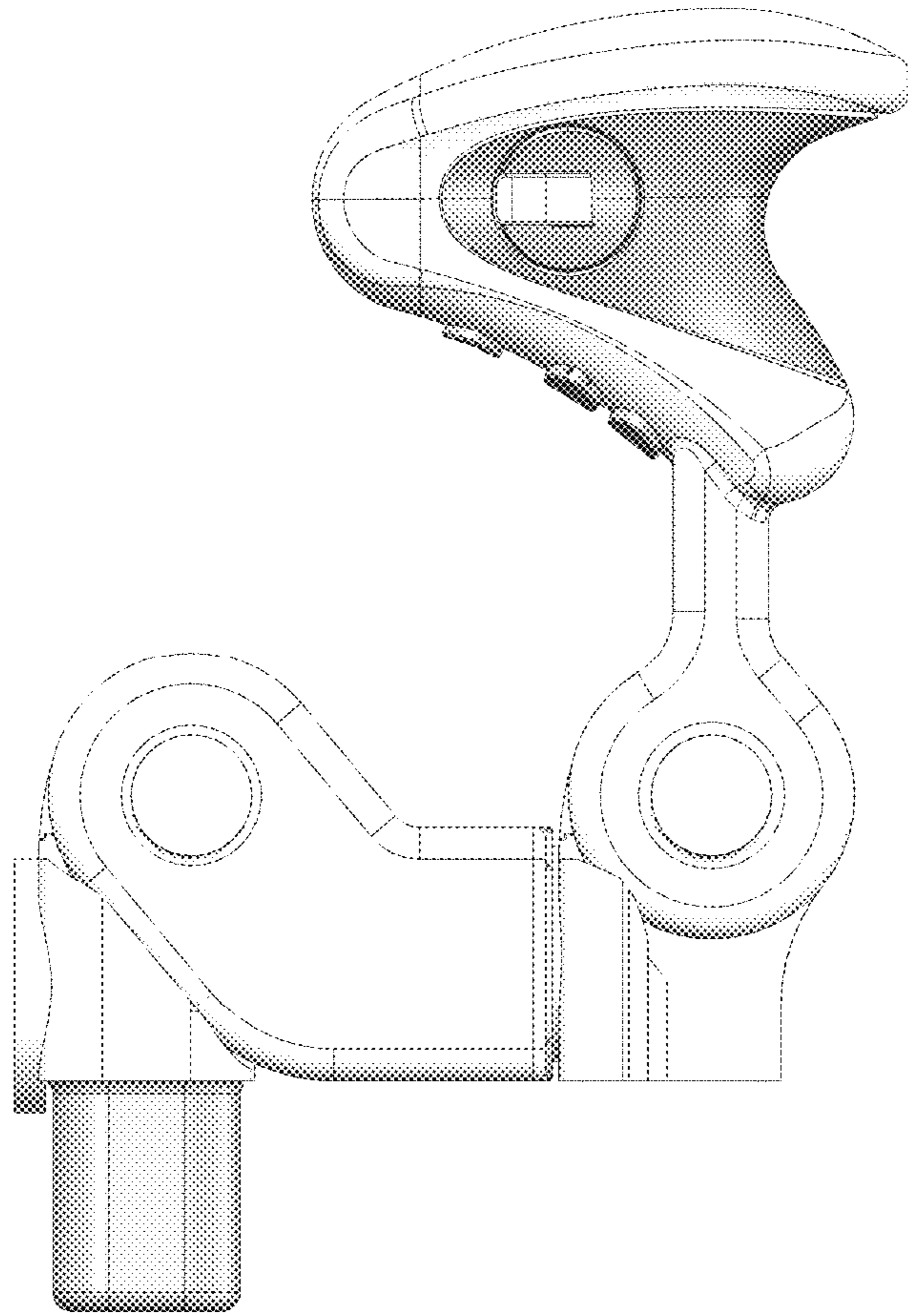


FIG. 10

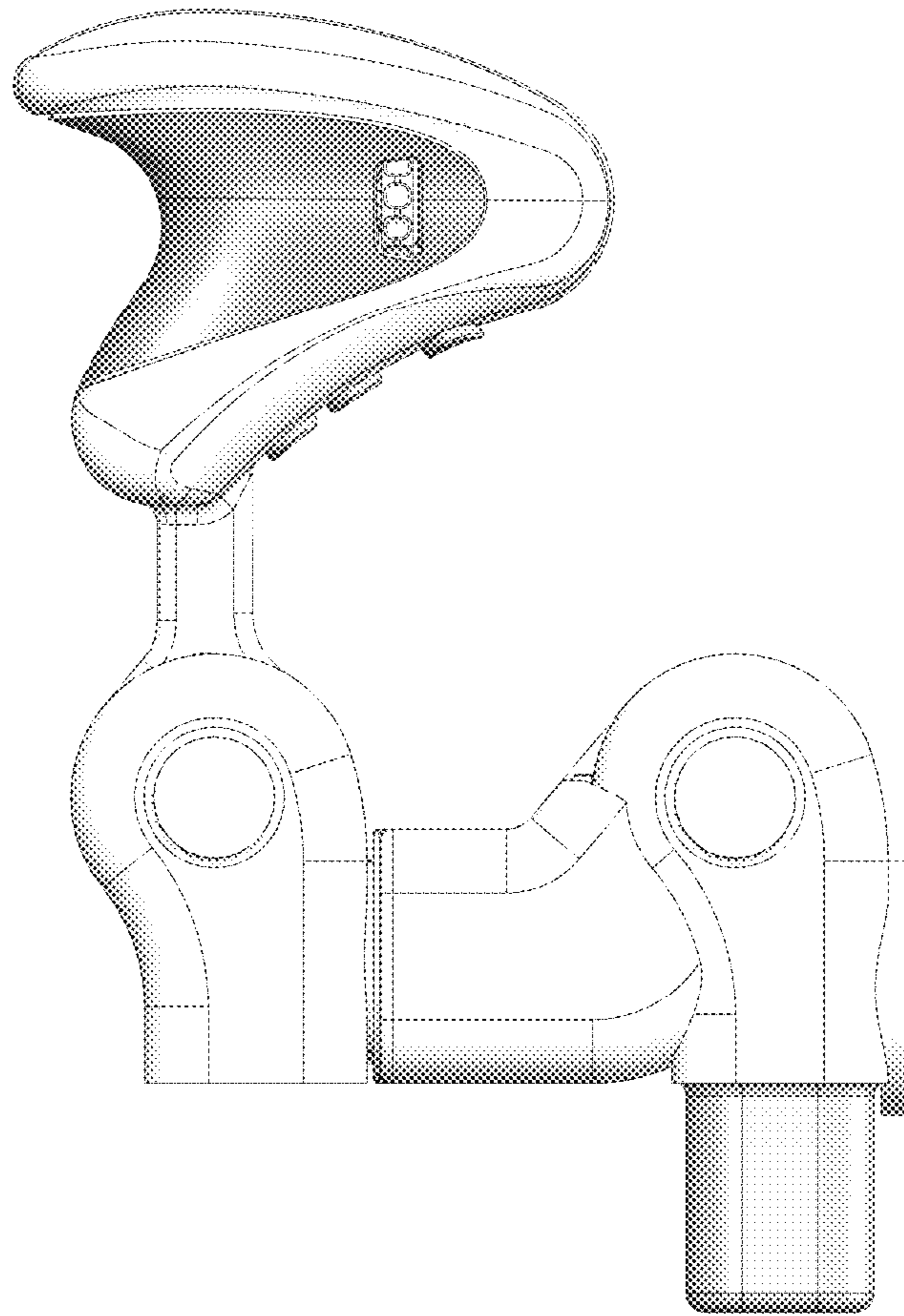


FIG. 11

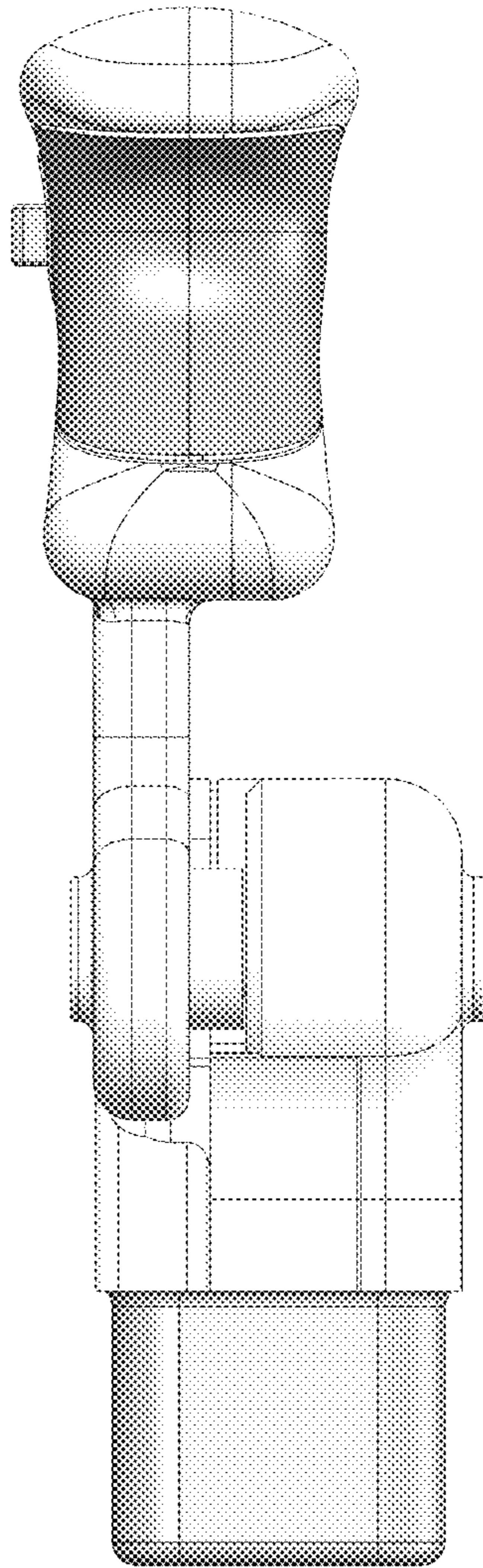


FIG. 12

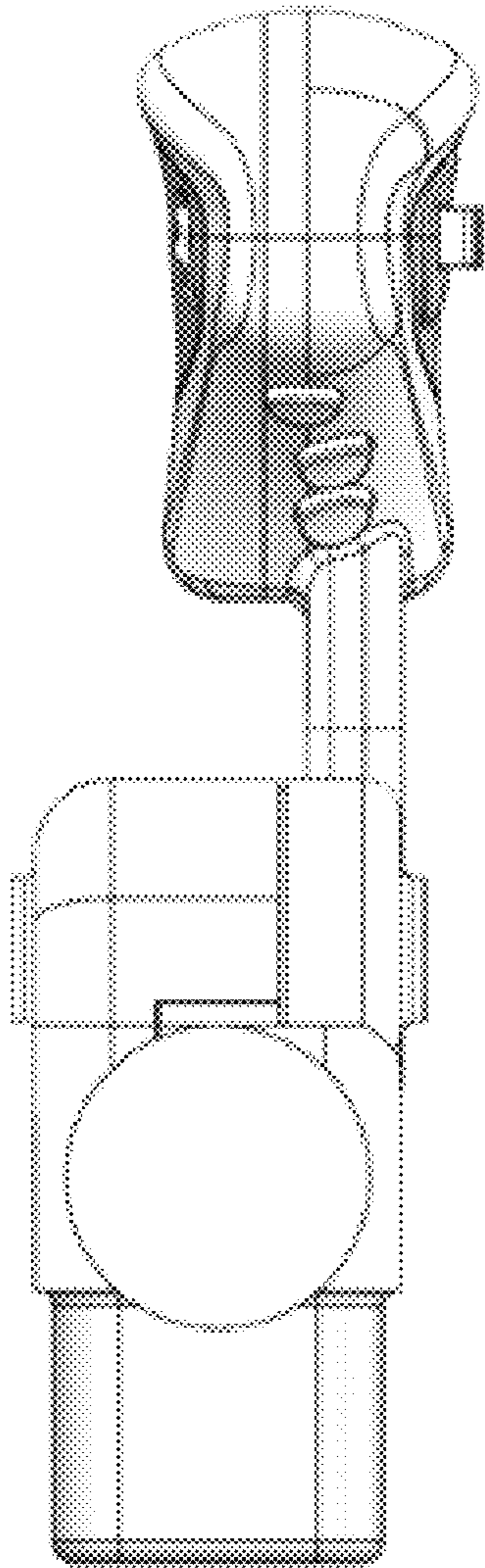


FIG. 13

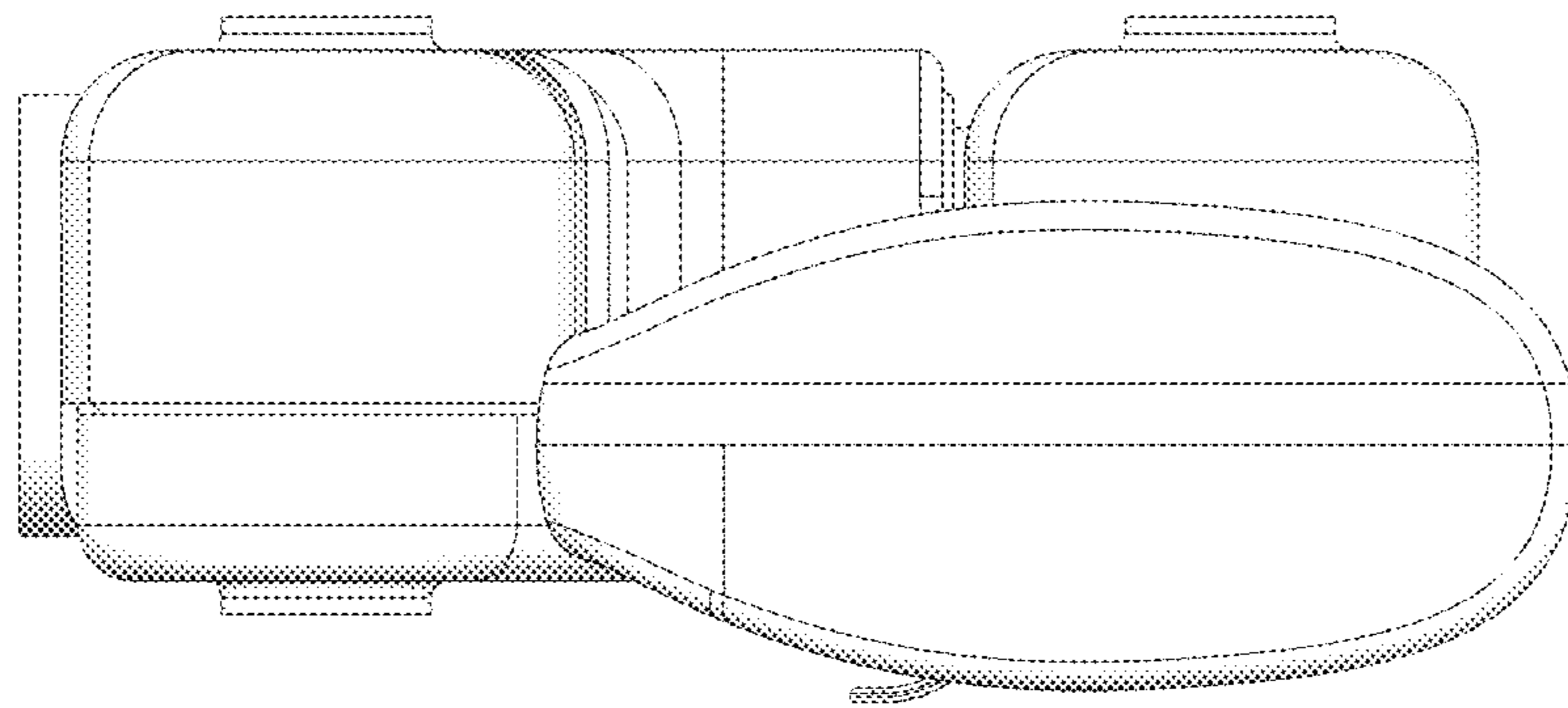


FIG. 14



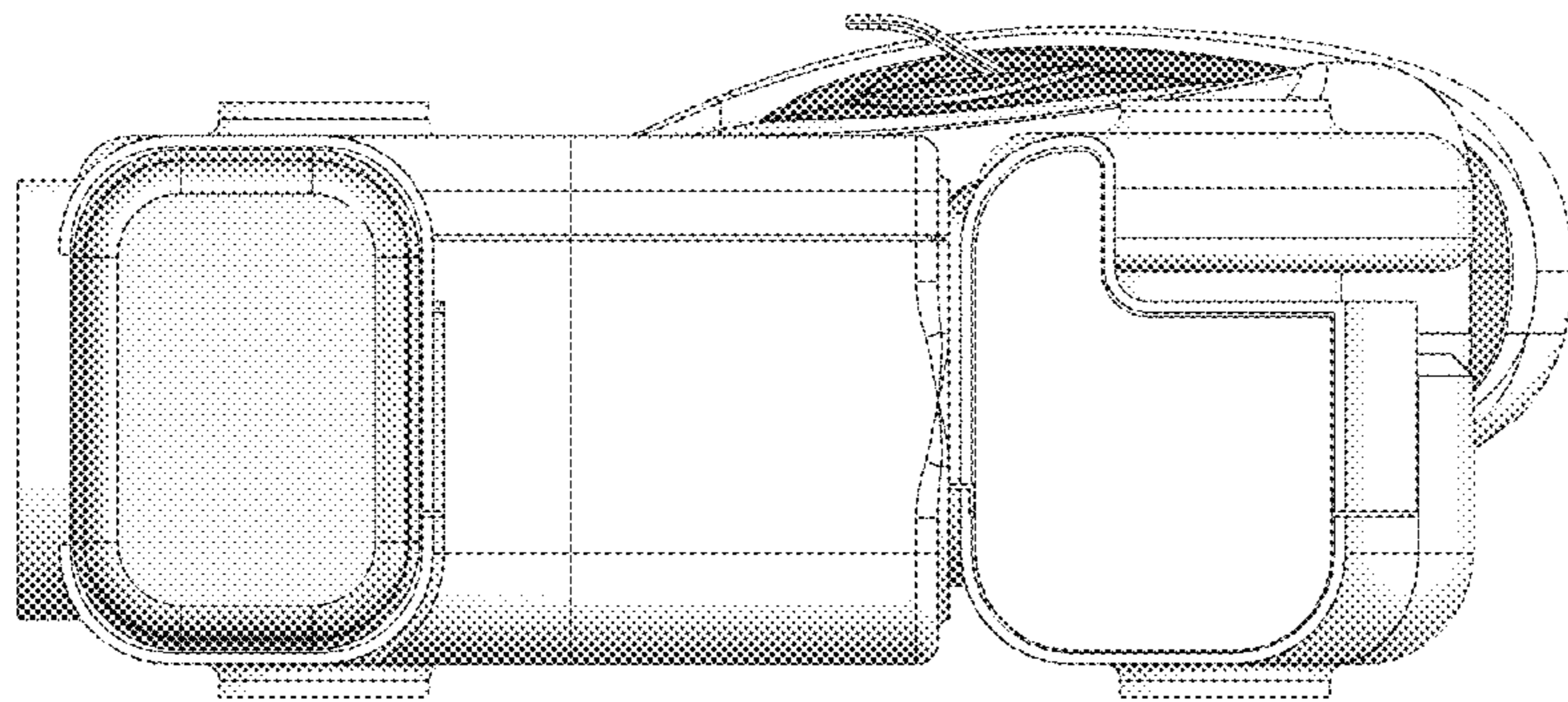


FIG. 15