



US00D960360S

(12) **United States Design Patent**  
**Keach**

(10) **Patent No.:** **US D960,360 S**

(45) **Date of Patent:** **\*\* Aug. 9, 2022**

(54) **CENTERING BOB FOR AN ACETABULAR CUP EXTRACTOR**

(71) Applicant: **Shukla Medical**, St. Petersburg, FL (US)

(72) Inventor: **Nicholas Christopher Keach**, Lutz, FL (US)

(73) Assignee: **Shukla Medical**, St. Petersburg, FL (US)

(\*\*) Term: **15 Years**

(21) Appl. No.: **29/757,500**

(22) Filed: **Nov. 6, 2020**

(51) **LOC (13) Cl.** ..... **24-01**

(52) **U.S. Cl.**  
USPC ..... **D24/133; D24/155**

(58) **Field of Classification Search**  
USPC ..... D24/155, 133, 135  
CPC ..... A61F 2/46  
See application file for complete search history.

(56) **References Cited**

**U.S. PATENT DOCUMENTS**

D337,639 S \* 7/1993 Beckman ..... D24/142  
D502,259 S \* 2/2005 Hallen ..... D24/108  
D679,394 S \* 4/2013 Gleixner ..... D24/133

10,512,472 B2 \* 12/2019 Cameron ..... A61F 2/4684  
2015/0100060 A1 \* 4/2015 Black ..... A61F 2/4609  
606/91  
2019/0021879 A1 \* 1/2019 Sweitzer ..... A61F 2/4609

\* cited by examiner

*Primary Examiner* — Charles D Hanson

(74) *Attorney, Agent, or Firm* — Kim IP Law Group LLC

(57) **CLAIM**

The ornamental design for a centering bob for an acetabular cup extractor, as shown and described.

**DESCRIPTION**

FIG. 1 is a perspective view of a centering bob for an acetabular cup extractor in accordance with the new design; FIG. 2 is a front view of the centering bob for an acetabular cup extractor of FIG. 1;

FIG. 3 is a rear view of the centering bob for an acetabular cup extractor of FIG. 1;

FIG. 4 is a left side view of the centering bob for an acetabular cup extractor of FIG. 1;

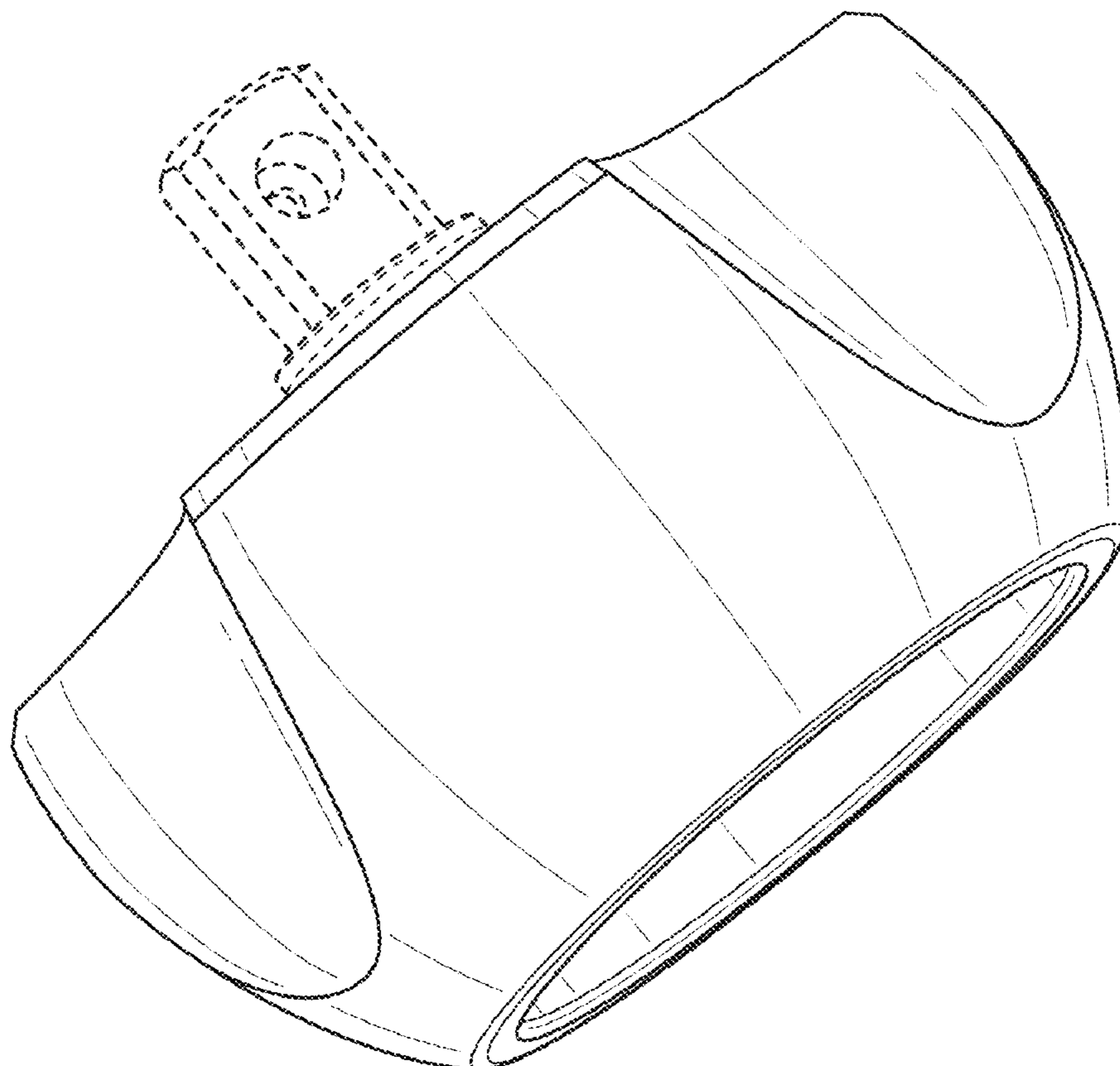
FIG. 5 is a right side view of the centering bob for an acetabular cup extractor of FIG. 1;

FIG. 6 is a top view of the centering bob for an acetabular cup extractor of FIG. 1; and,

FIG. 7 is a bottom view of the centering bob for an acetabular cup extractor of FIG. 1.

In the drawings, the broken lines illustrate portions of the centering bob for an acetabular cup extractor that form no part of the claimed design.

**1 Claim, 7 Drawing Sheets**



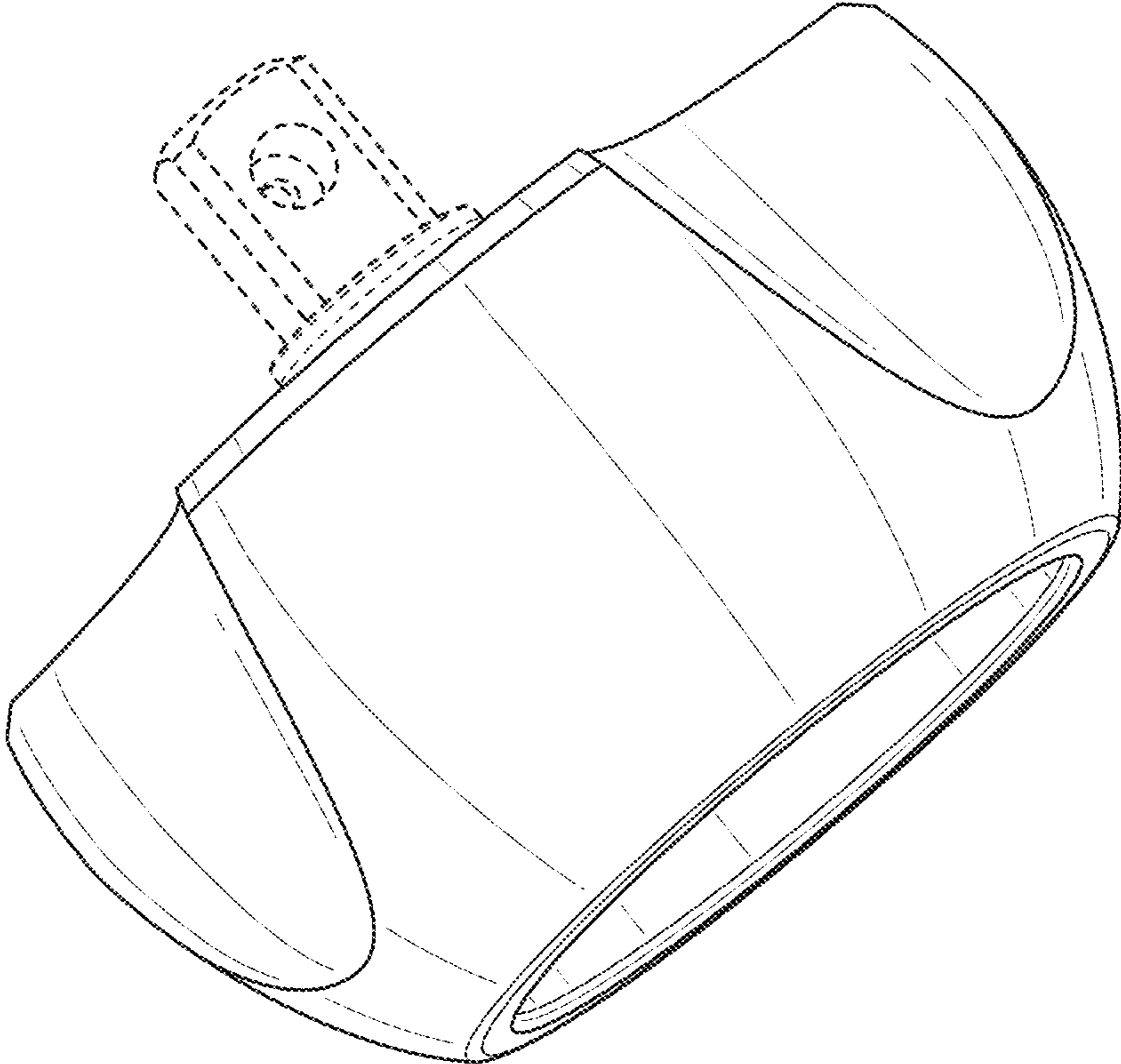


FIG. 1

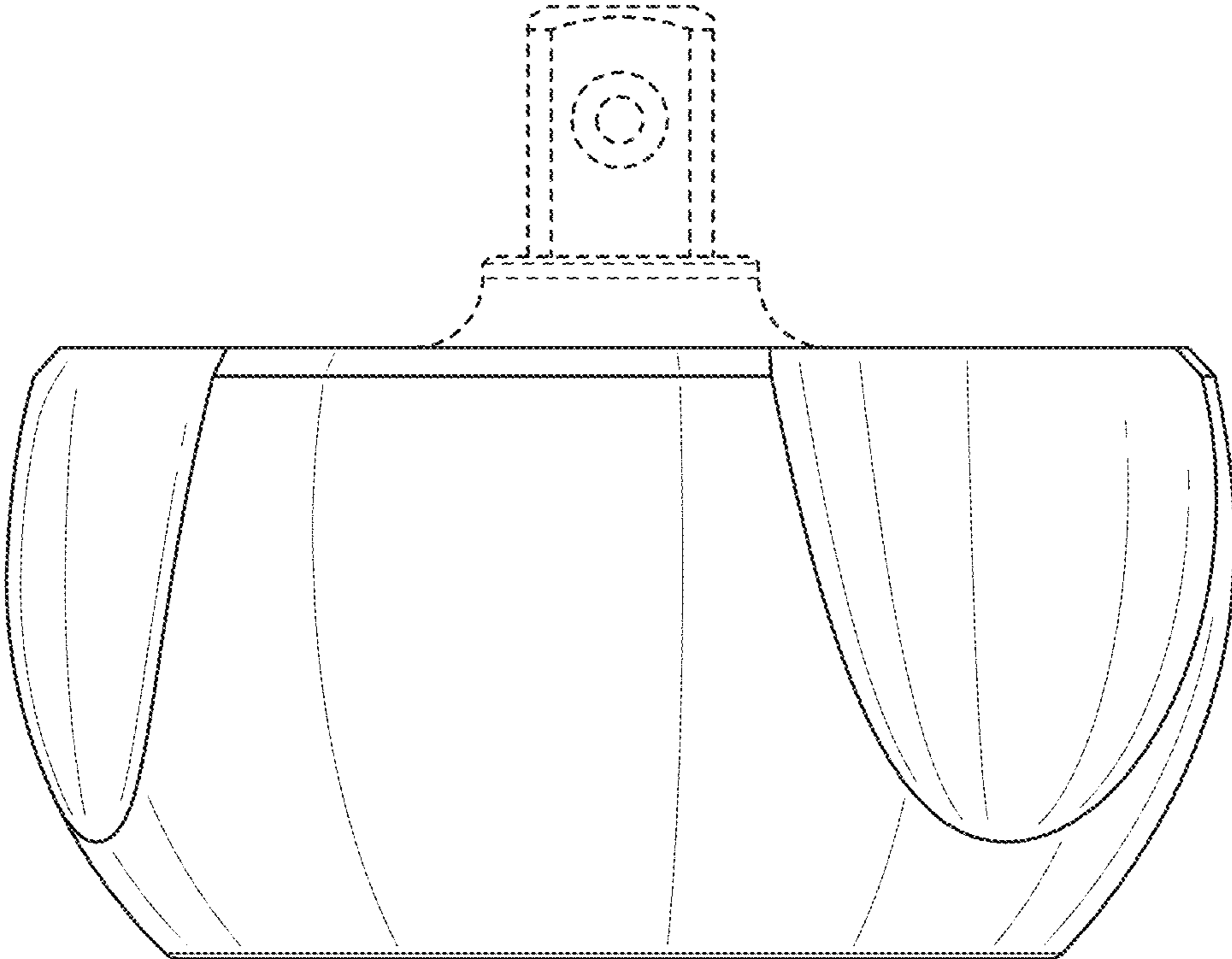


FIG. 2

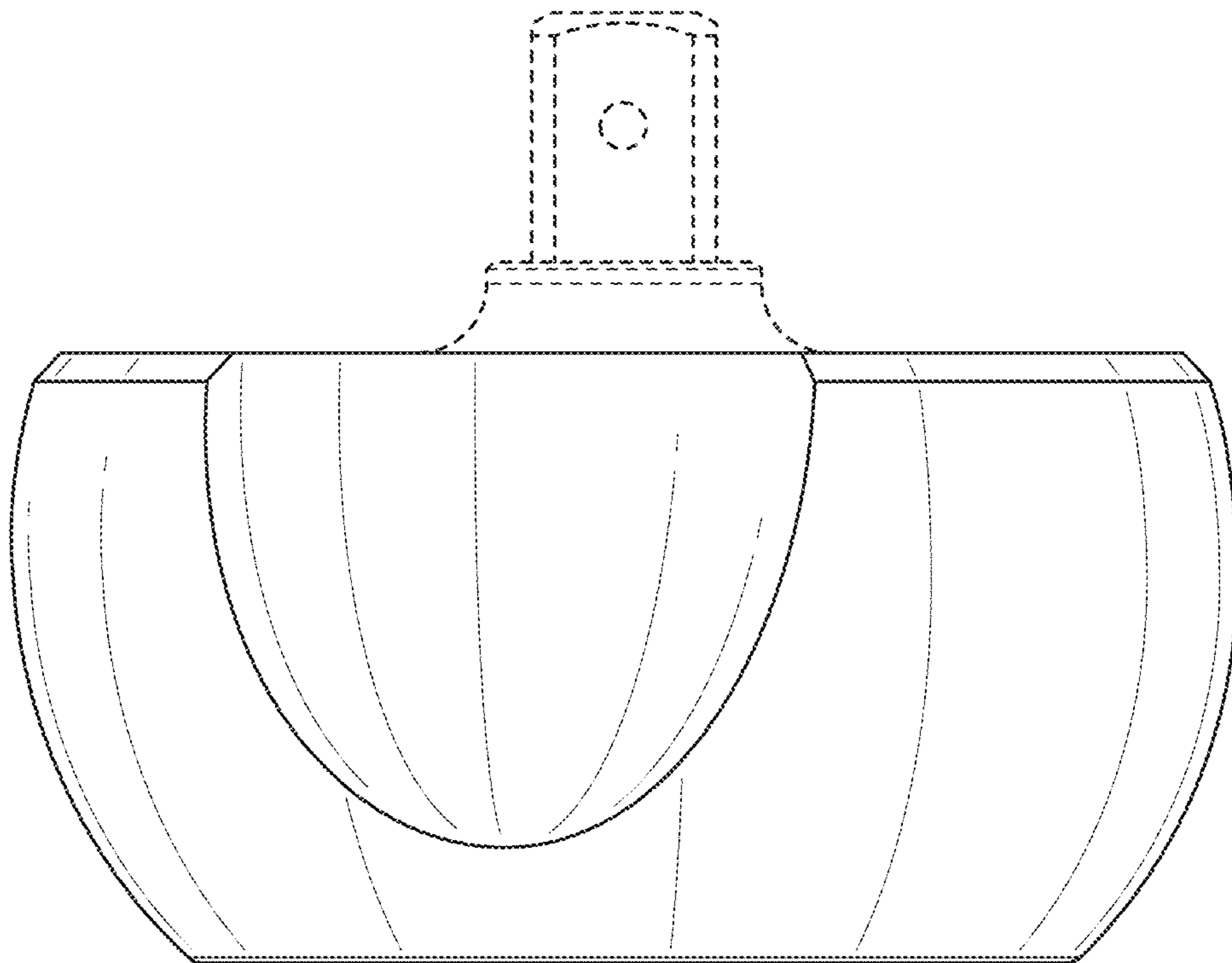


FIG. 3

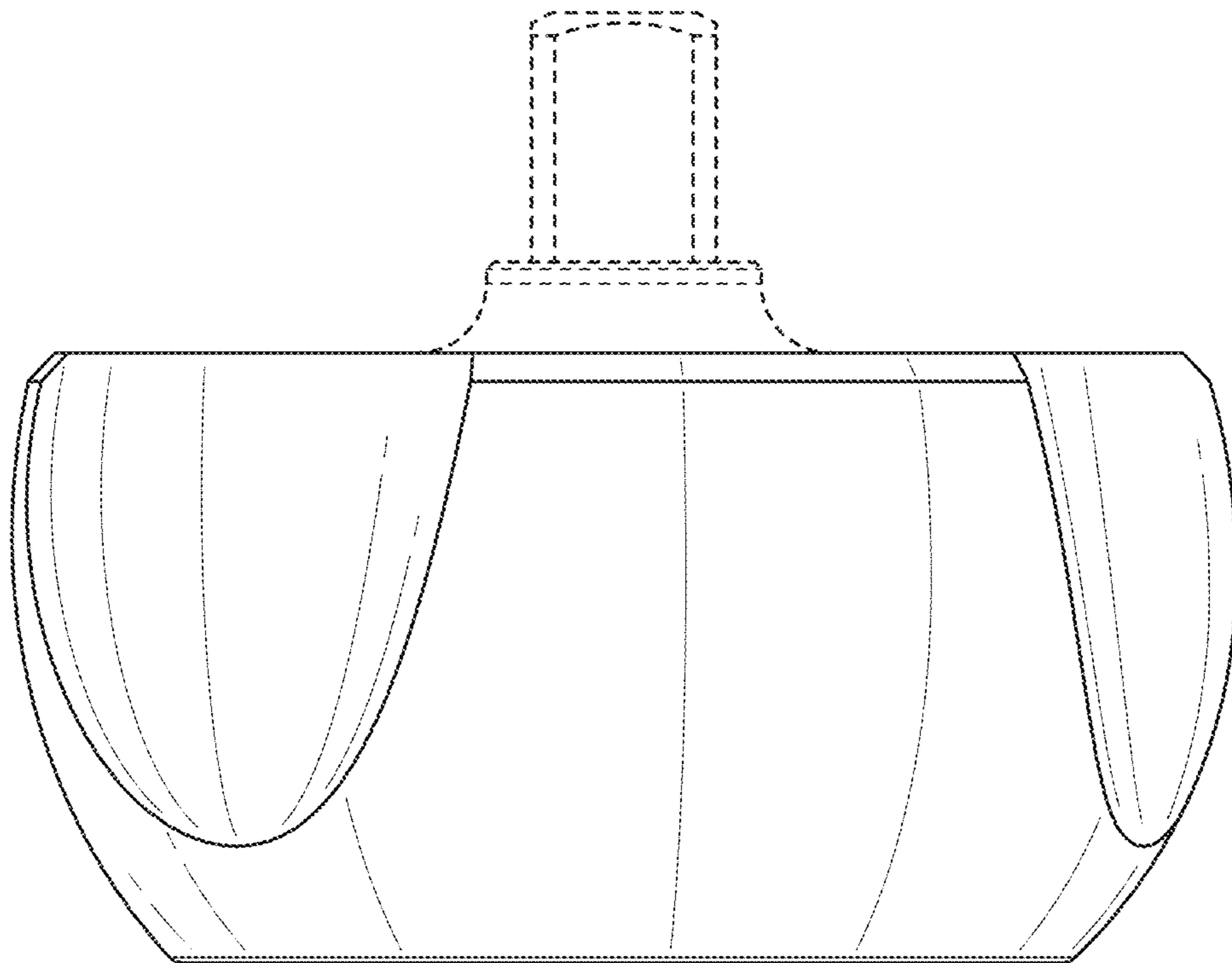


FIG. 4

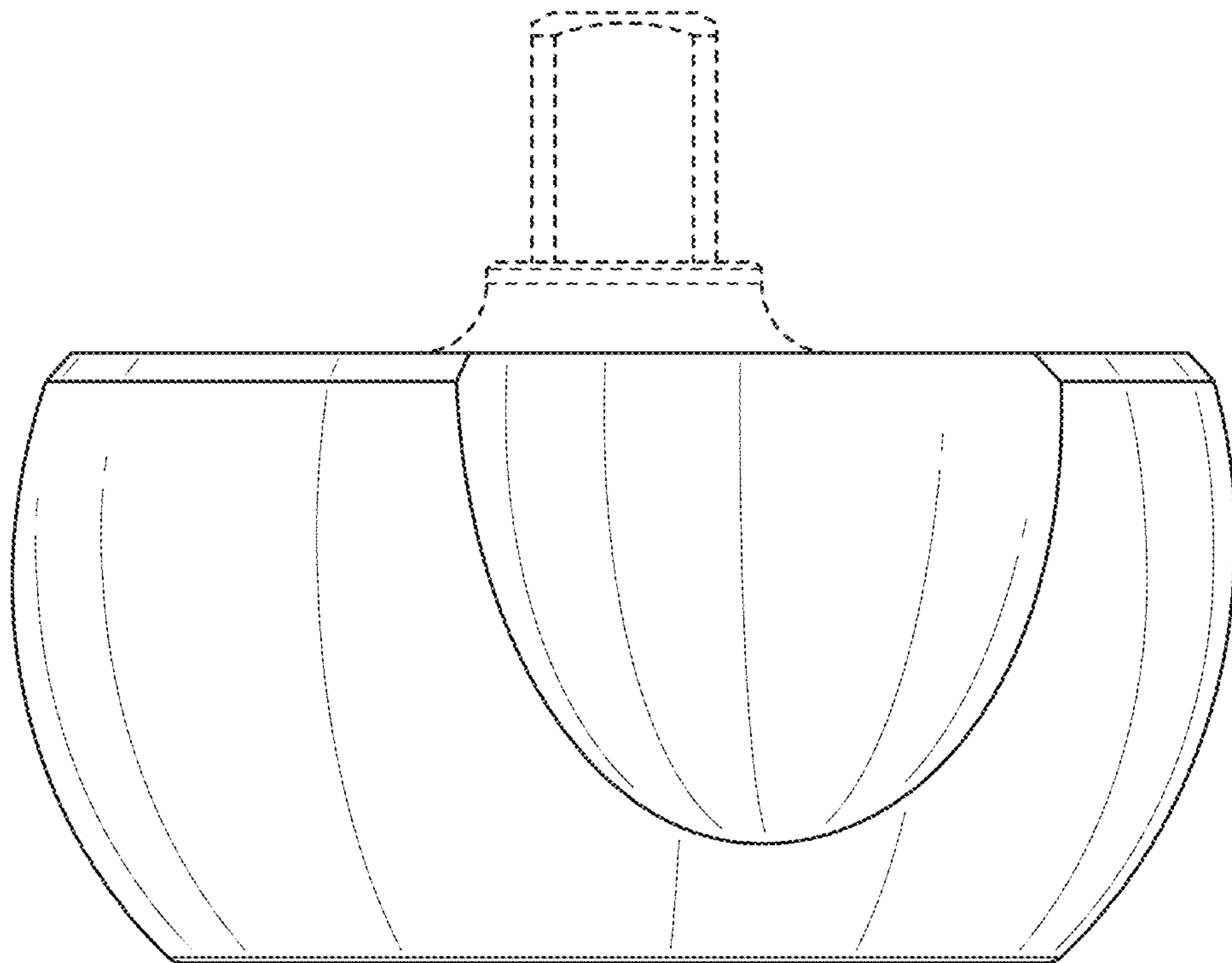


FIG. 5



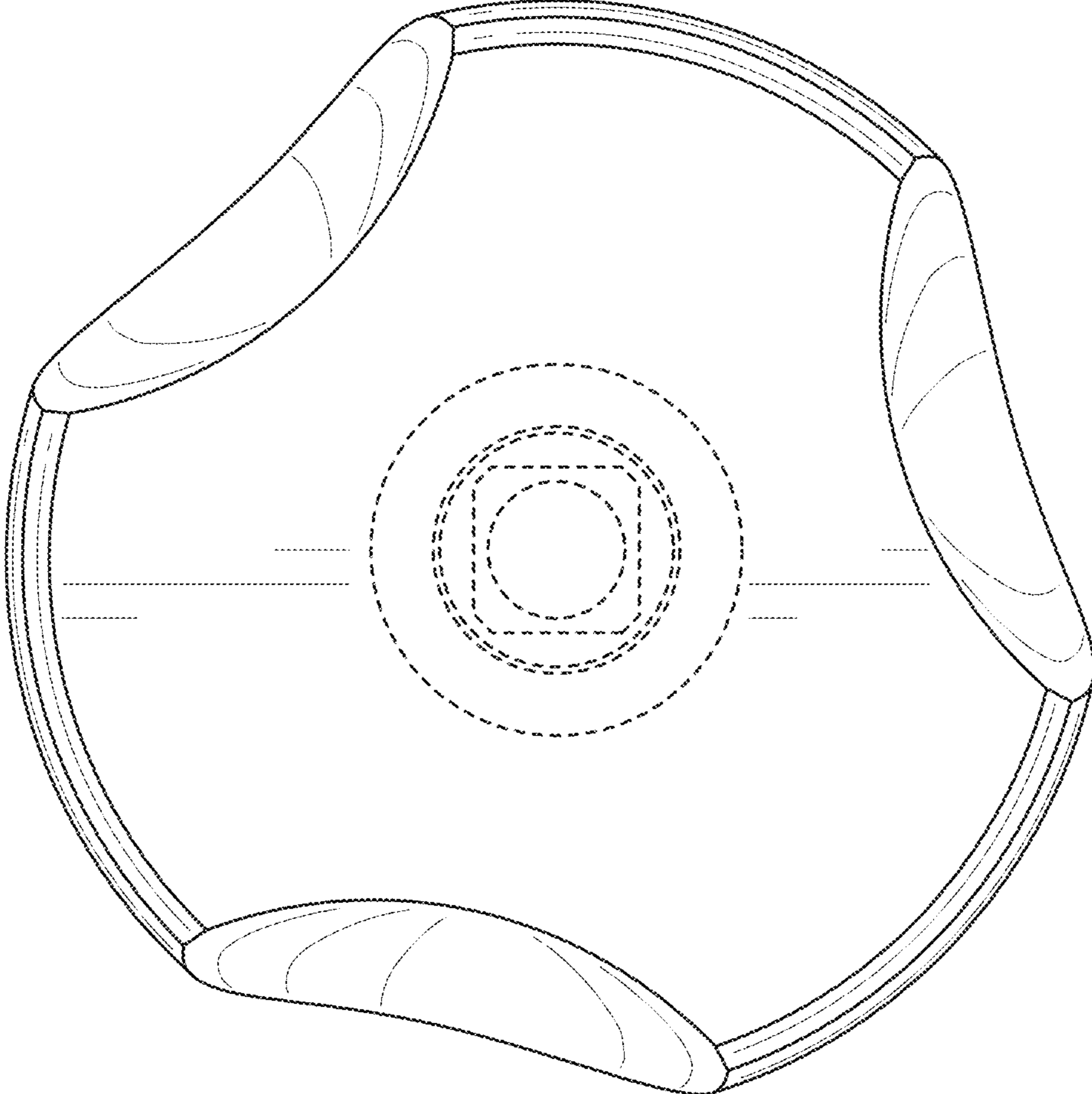


FIG. 6

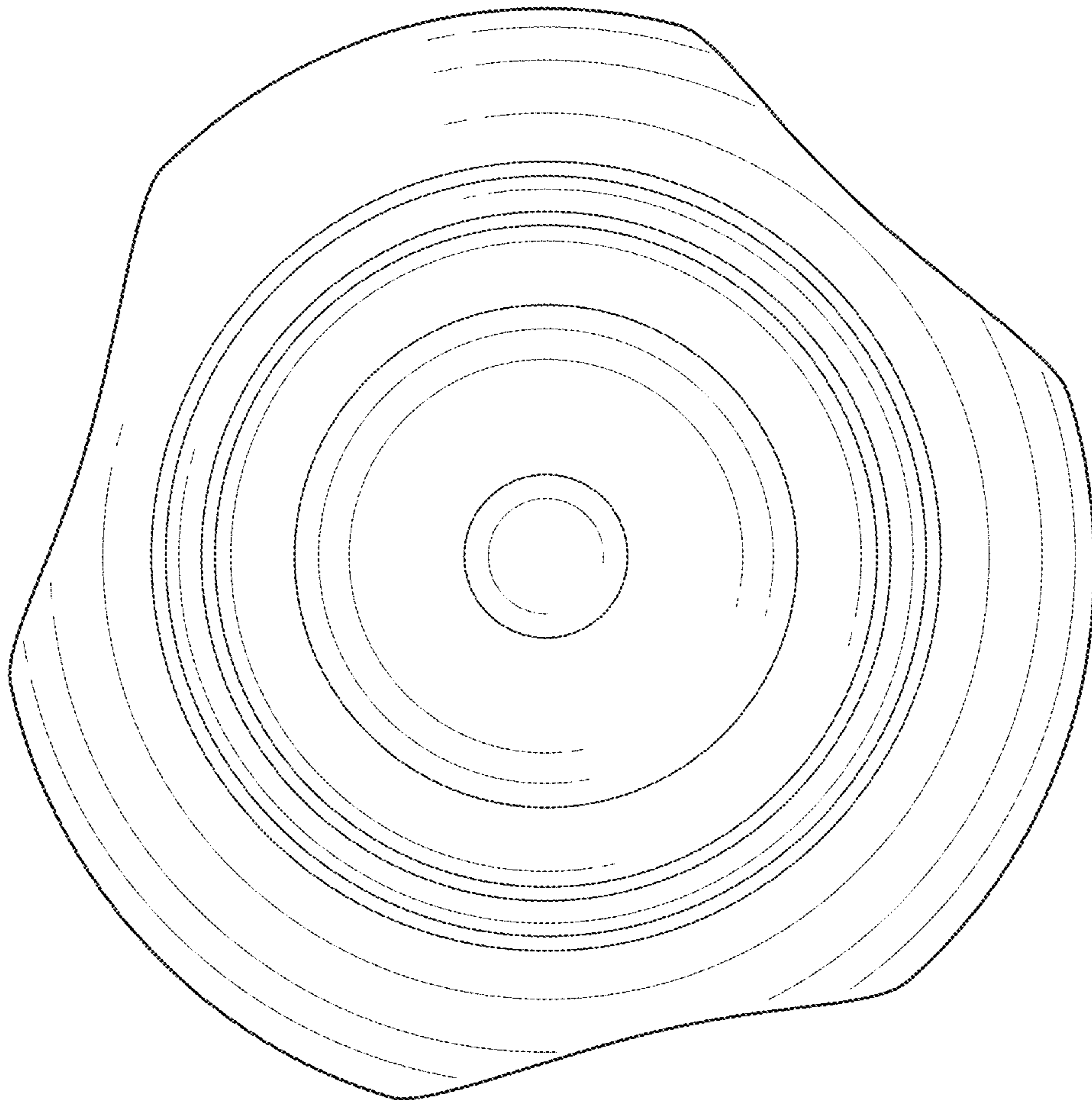


FIG. 7