



US00D960359S

(12) **United States Design Patent** (10) **Patent No.:** **US D960,359 S**  
**Nourani** (45) **Date of Patent:** **\*\* \*Aug. 9, 2022**

(54) **SYRINGE HANDLE**

(71) Applicant: **Bobby Nourani**, Long Beach, CA (US)

(72) Inventor: **Bobby Nourani**, Long Beach, CA (US)

(\* ) Notice: This patent is subject to a terminal disclaimer.

(\*\*) Term: **15 Years**

(21) Appl. No.: **29/738,853**

(22) Filed: **Jun. 19, 2020**

(51) **LOC (13) Cl.** ..... **24-02**

(52) **U.S. Cl.**  
USPC ..... **D24/130; D24/133**

(58) **Field of Classification Search**  
USPC ..... D24/112-114, 127, 130, 133, 144, 152;  
D8/82, 83, 303, 398, 42  
CPC ..... A61M 5/3137; A61M 2205/586; A61M  
2005/3139; A61D 7/00  
See application file for complete search history.

(56) **References Cited**

**U.S. PATENT DOCUMENTS**

2,585,815 A 2/1952 McLintock  
4,767,413 A 8/1988 Haber et al.  
6,170,364 B1 \* 1/2001 Johnson ..... B25B 13/48  
81/120  
D576,276 S \* 9/2008 Osypka ..... D24/130  
D649,632 S \* 11/2011 Morgan ..... D24/127  
D668,760 S \* 10/2012 Kawamura ..... D24/130  
D672,639 S \* 12/2012 Pawluk ..... D8/398  
D706,127 S \* 6/2014 Hohmann, Jr. .... D8/398  
D715,423 S \* 10/2014 Rogers ..... D24/112  
D740,941 S \* 10/2015 Ladva ..... D24/152

(Continued)

**FOREIGN PATENT DOCUMENTS**

CA 121094 \* 8/2008  
CN 2225258 Y 4/1996

(Continued)

**OTHER PUBLICATIONS**

Starrett T-Handle Tap Wrench, 93A—1/16" to 3/16" for Holding Taps, Drills, Reamers, Small Tools, Amazon, [Post date Nov. 9, 2004], [Site seen Nov. 29, 2021], Seen at URL: <https://www.amazon.com/Starrett-93A-T-Handle-Tap-Wrench/dp/B08BVMRMC4> (Year: 2004).\*

(Continued)

*Primary Examiner* — Natasha Vujcic

*Assistant Examiner* — Gilbert B Ford

(74) *Attorney, Agent, or Firm* — Lance M. Pritikin

(57) **CLAIM**

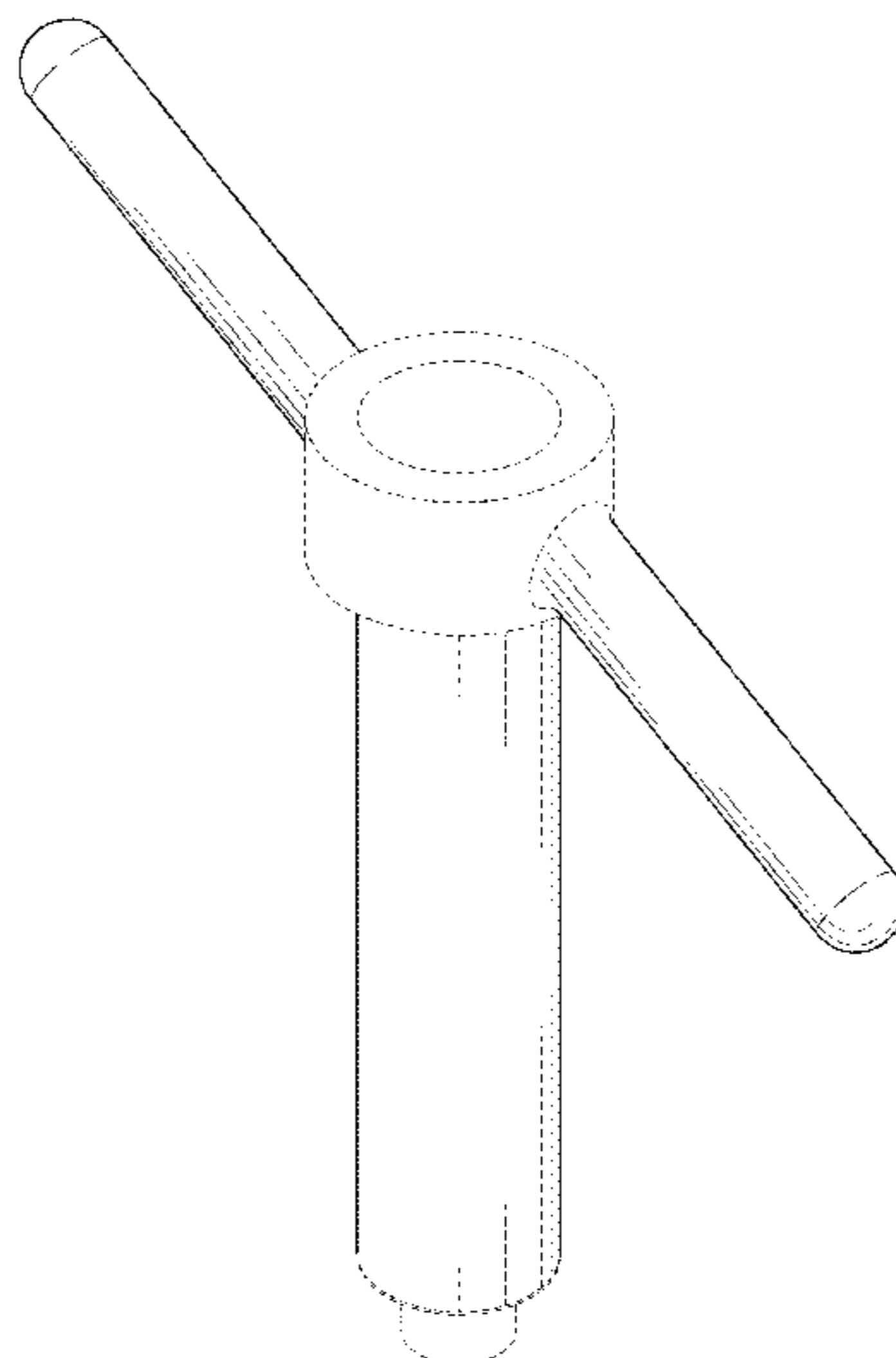
I claim, the ornamental design for a syringe handle, as shown and described.

**DESCRIPTION**

FIG. 1 is a perspective view of a first embodiment of a syringe handle, showing my new design; FIG. 2 is a front elevational view thereof; FIG. 3 is a rear elevational view thereof; FIG. 4 is a right side elevational view thereof; FIG. 5 is a left side elevational view thereof; FIG. 6 is a top plan view thereof; FIG. 7 is a bottom plan view thereof; FIG. 8 is a front perspective view of a second embodiment of a syringe handle, showing my new design; FIG. 9 is a front elevational view thereof; FIG. 10 is a rear elevational view thereof; FIG. 11 is a right side elevational view thereof; FIG. 12 is a left side elevational view thereof; FIG. 13 is a top plan view thereof; and, FIG. 14 is a bottom plan view thereof.

The broken lines in FIGS. 1-14 are for the purpose of illustrating portions of the syringe handle and environmental structure that form no part of the claimed design.

**1 Claim, 8 Drawing Sheets**



(56)

References Cited

U.S. PATENT DOCUMENTS

D796,670 S \* 9/2017 Dolk ..... D24/130  
 D799,302 S \* 10/2017 Bast ..... D8/107  
 9,801,660 B2 \* 10/2017 Johnson ..... A61B 17/43  
 D807,163 S \* 1/2018 Engel ..... D8/398  
 10,363,379 B2 \* 7/2019 Darras ..... A61M 5/3243  
 10,398,841 B2 9/2019 Evans et al.  
 10,537,683 B2 1/2020 Ruddocks et al.  
 10,576,209 B2 3/2020 Lum et al.  
 10,596,321 B2 3/2020 Mandaroux et al.  
 D880,974 S \* 4/2020 Bast ..... D8/107  
 D900,600 S \* 11/2020 Spain, Jr. .... D8/398  
 D912,811 S \* 3/2021 Gosik-Wolfe ..... D24/133  
 D928,950 S \* 8/2021 Sweitzer ..... D24/133  
 2007/0249994 A1 10/2007 Uhlin et al.  
 2008/0051729 A1 2/2008 Cheng  
 2012/0041388 A1 \* 2/2012 Blomquist ..... A61D 7/00  
 604/227  
 2012/0095438 A1 4/2012 Lanin et al.  
 2016/0101238 A1 4/2016 Evans et al.  
 2016/0144120 A1 5/2016 Ishikawa et al.  
 2018/0071462 A1 3/2018 Morgan et al.  
 2018/0256828 A1 9/2018 Sirianni  
 2019/0030253 A1 1/2019 Barbour

2019/0183674 A1 6/2019 Tsai et al.  
 2019/0184106 A1 \* 6/2019 Nourani ..... A61M 5/3134  
 2019/0351146 A1 11/2019 Franklin et al.  
 2020/0069879 A1 \* 3/2020 Snoke ..... A61B 1/018  
 2020/0078528 A1 3/2020 Heim et al.

FOREIGN PATENT DOCUMENTS

CN 106983935 A 7/2017  
 DE 202019102126 U1 7/2019  
 FR 2830199 A1 4/2003  
 JP 2004527333 A 9/2004  
 KR 0138353 Y1 4/1999  
 WO 2005060367 A3 7/2006  
 WO 2008016381 A1 2/2008  
 WO 2017039786 A1 3/2017  
 WO 2017184801 A1 10/2017

OTHER PUBLICATIONS

Non-aspirating foldable syringe with a T-handle, R & S, Lumier32 Dental, [Post Date Sep. 20, 2021], [Site seen Nov. 29, 2021], Seen at URL: <https://www.lumiere32.sg/p/non-aspirating-foldable-syringe-with-a-t-handle> (Year: 2021).\*

\* cited by examiner

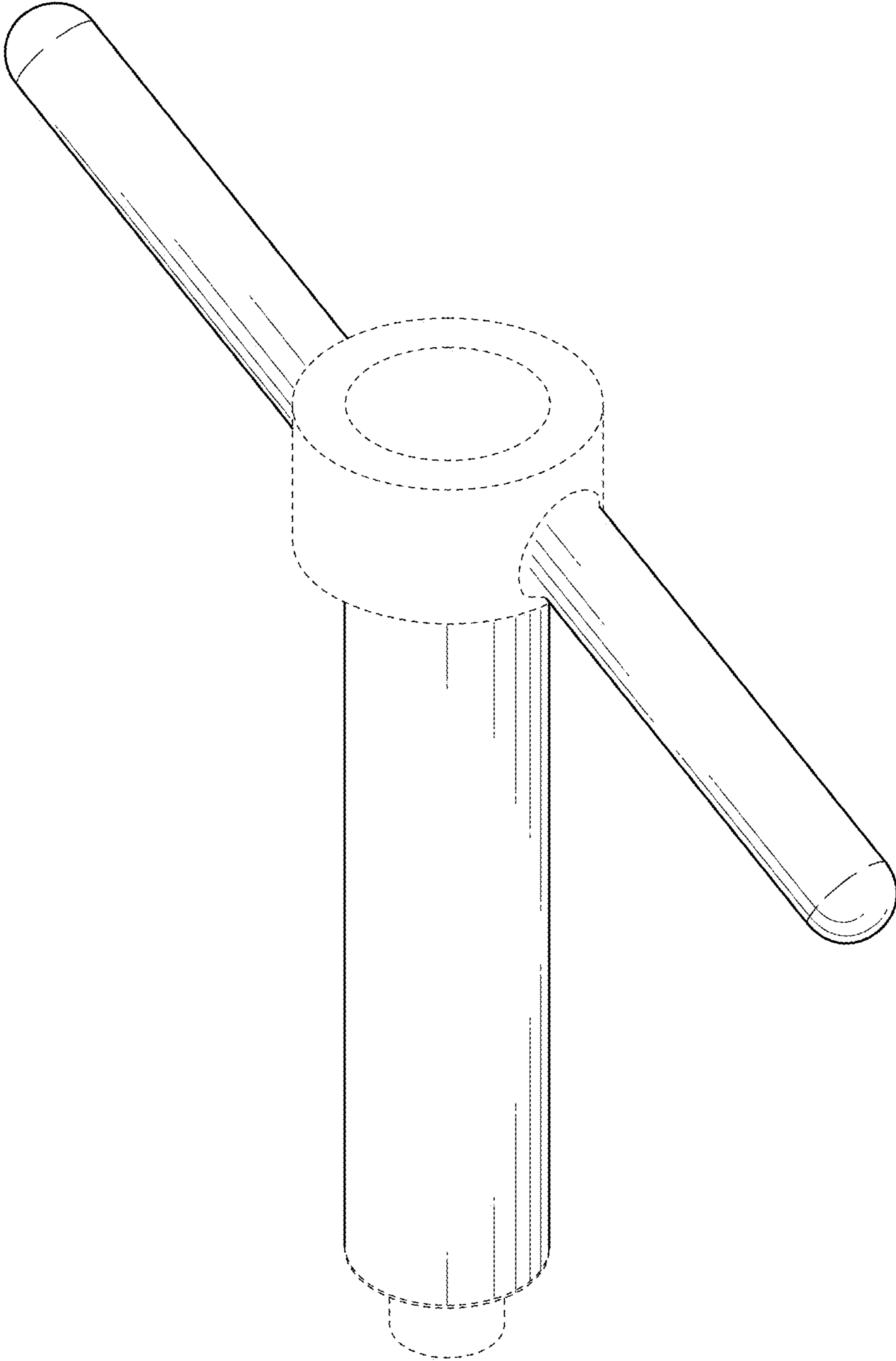


FIG. 1

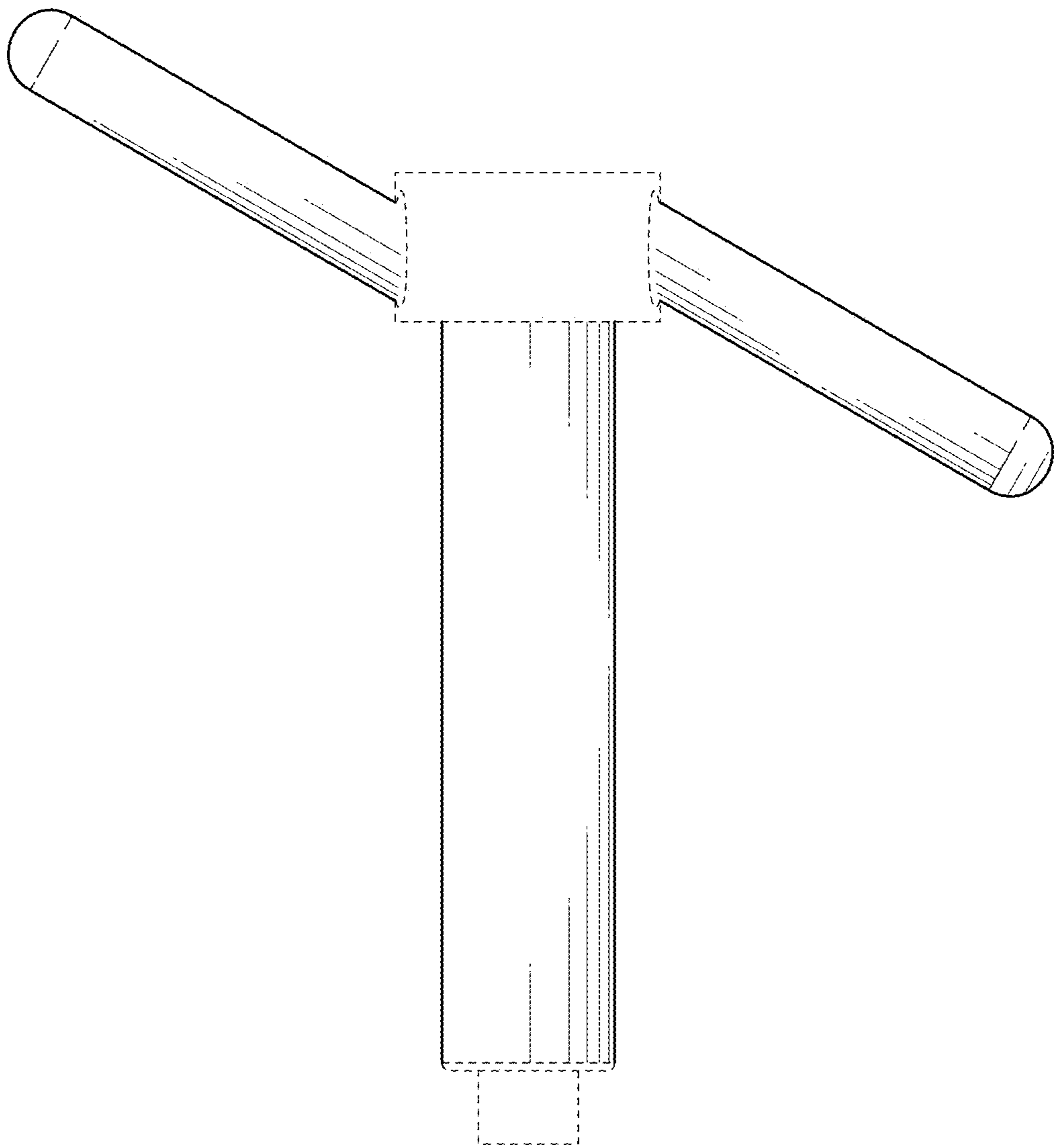


FIG. 2

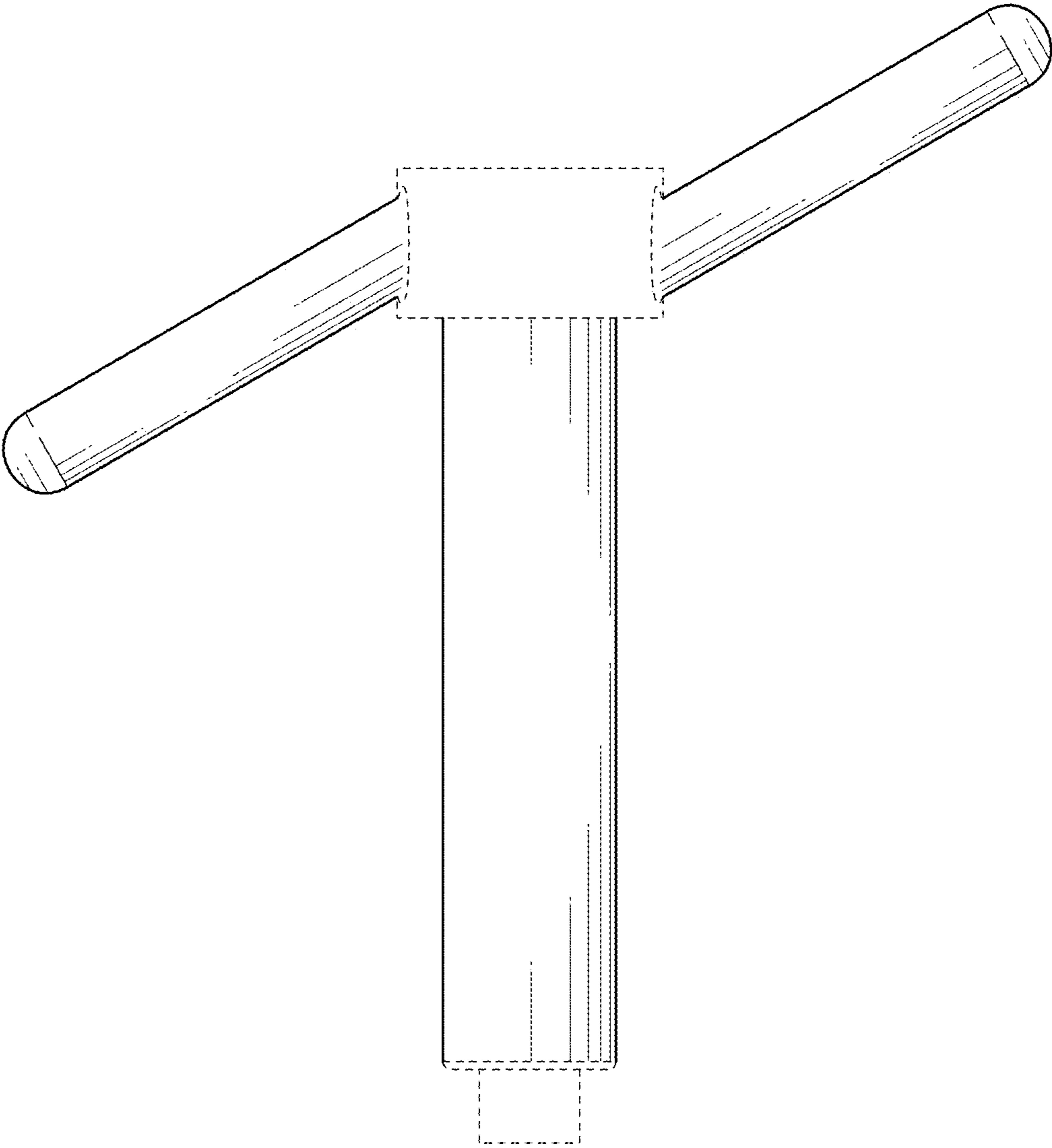


FIG. 3

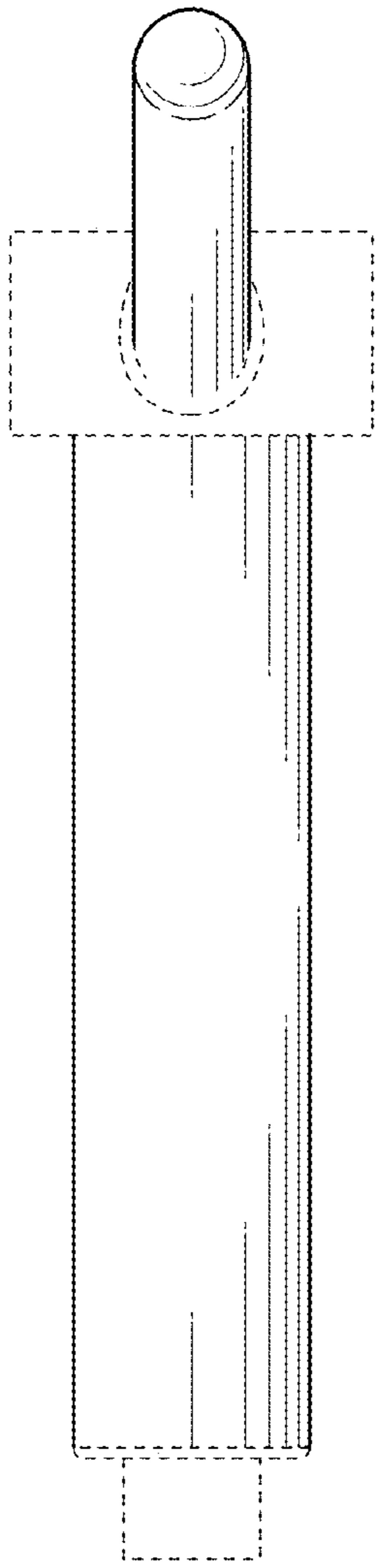


FIG. 4

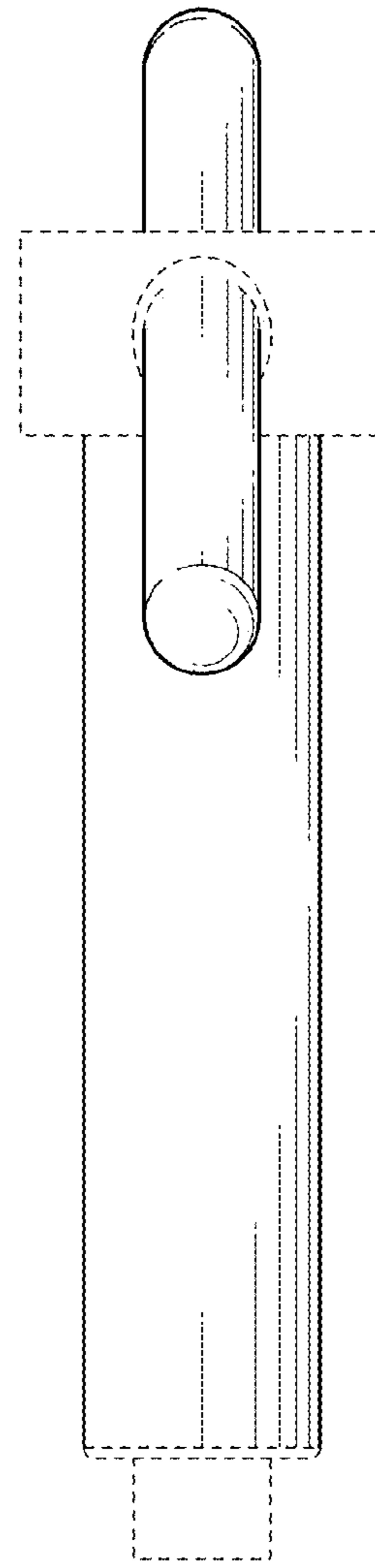


FIG. 5

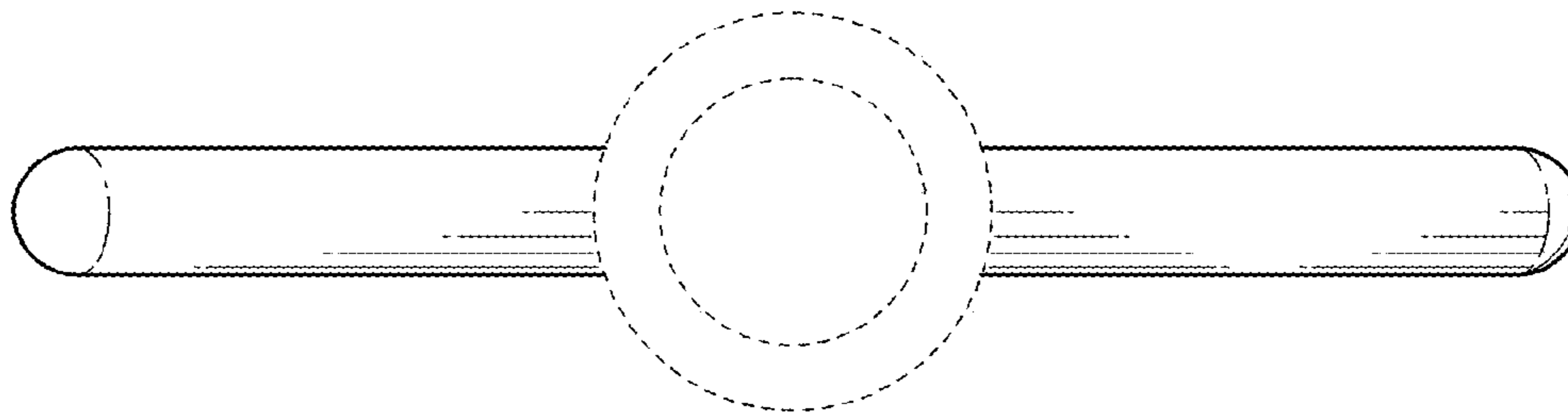


FIG. 6

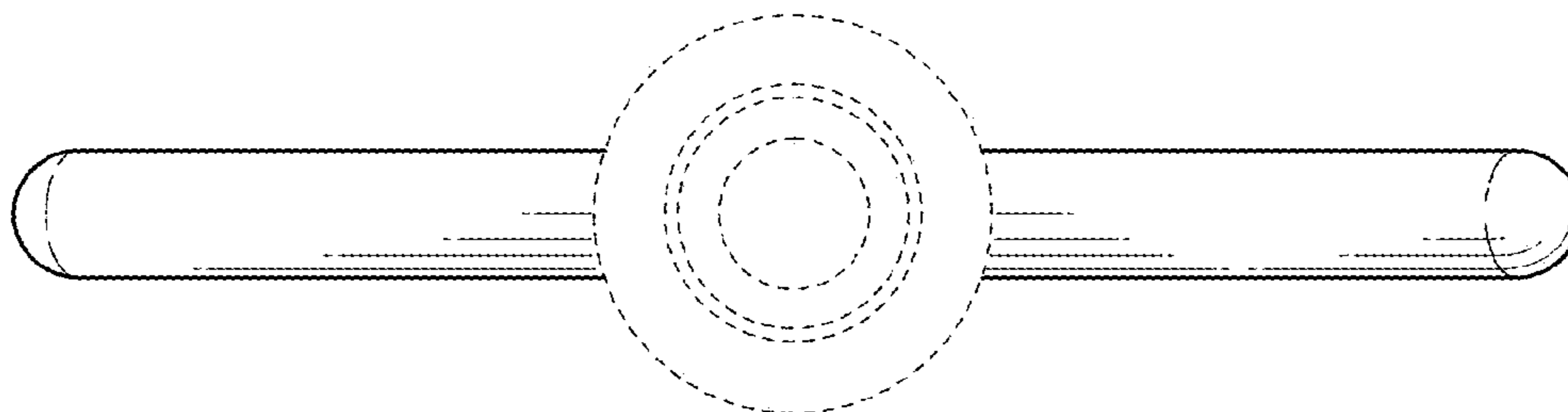


FIG. 7

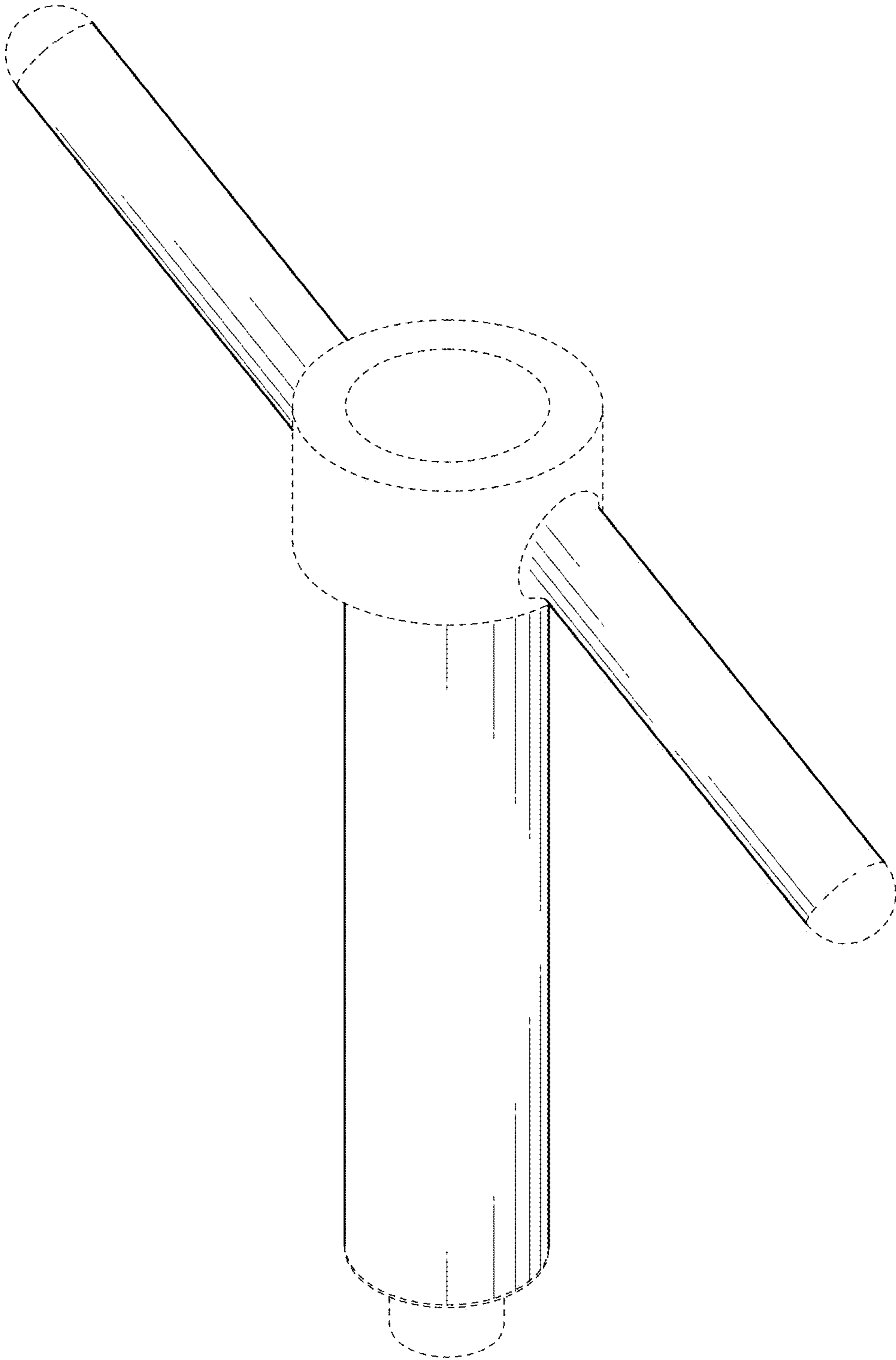


FIG. 8

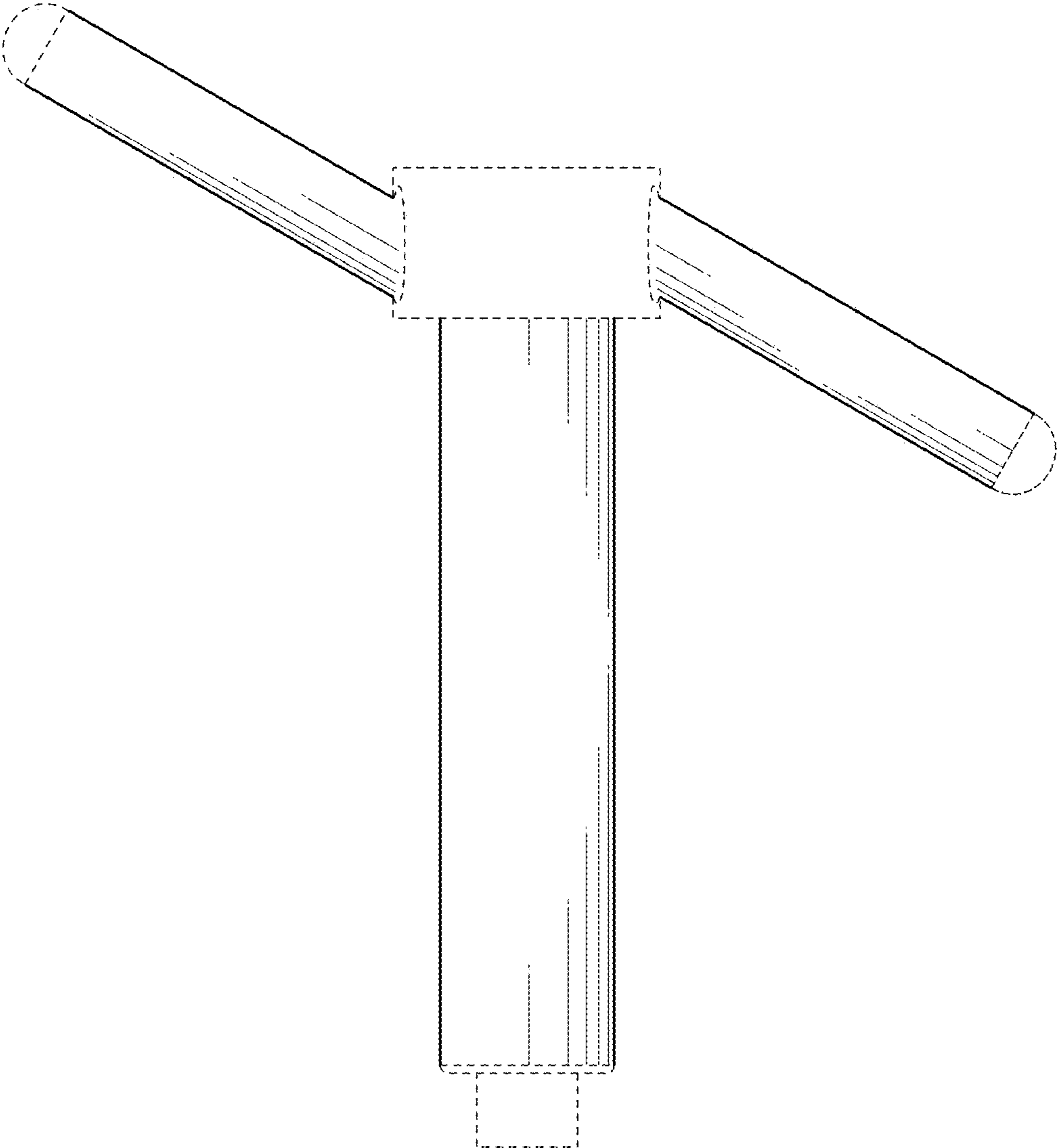


FIG. 9



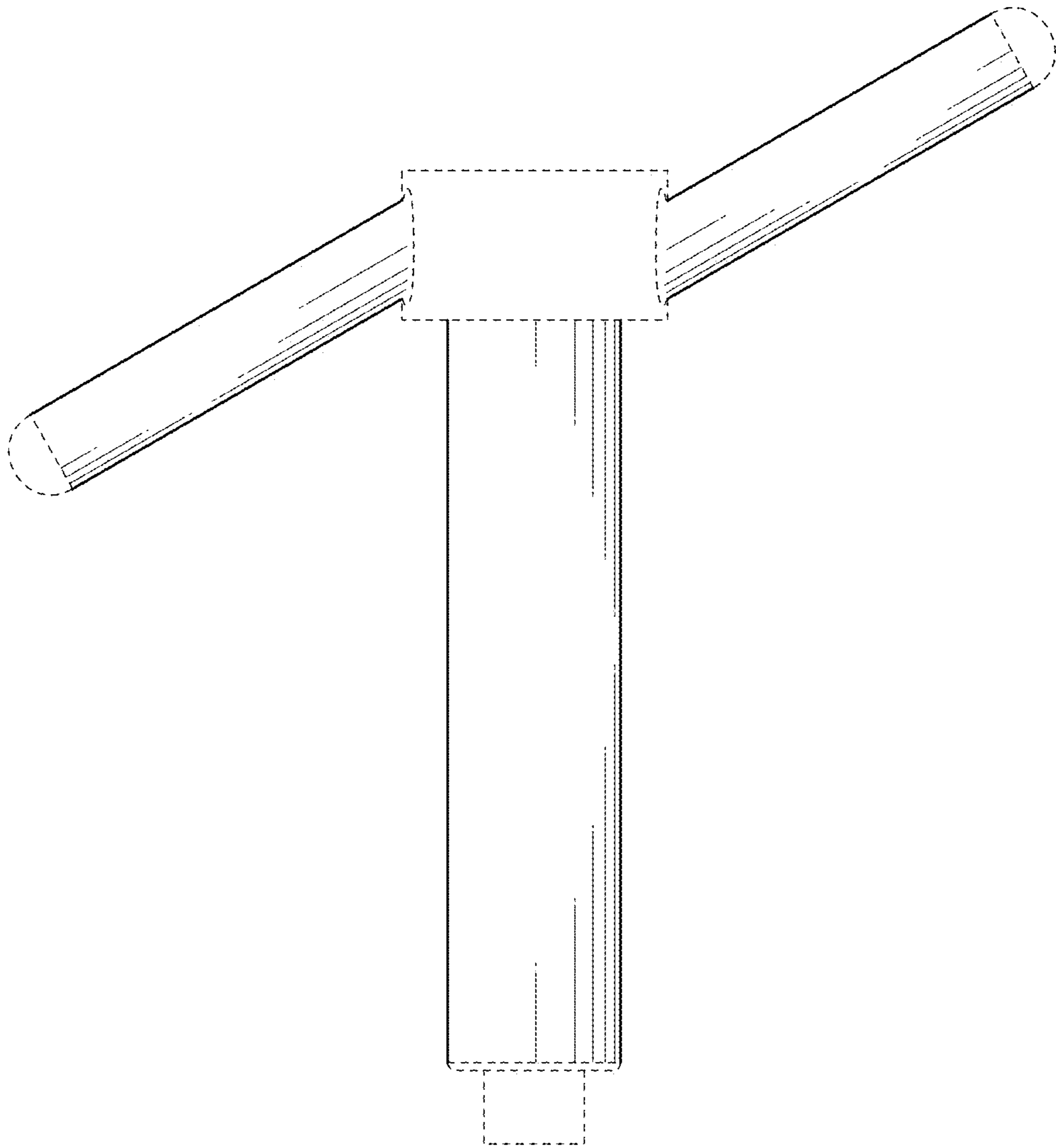


FIG. 10

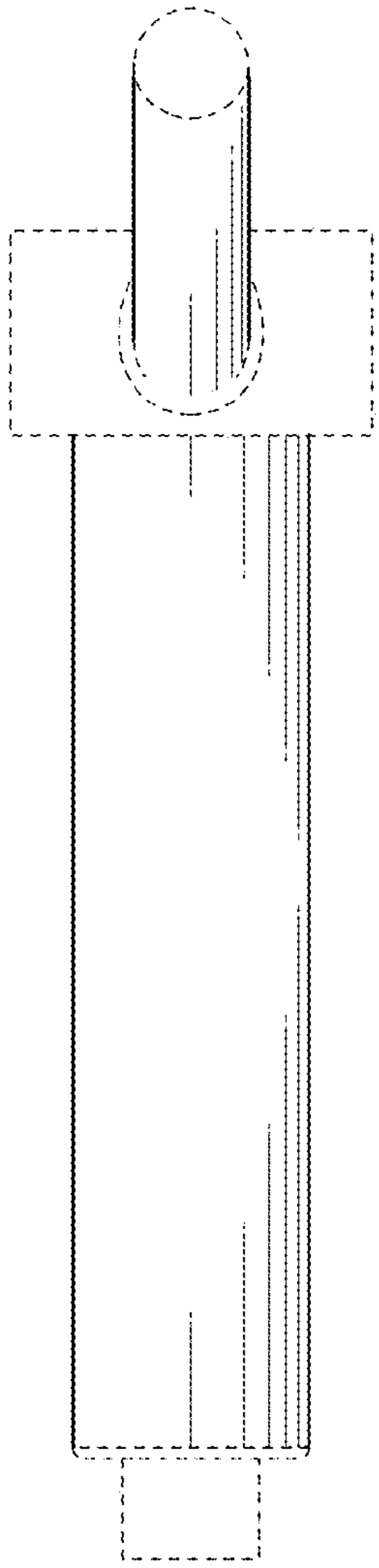


FIG. 11

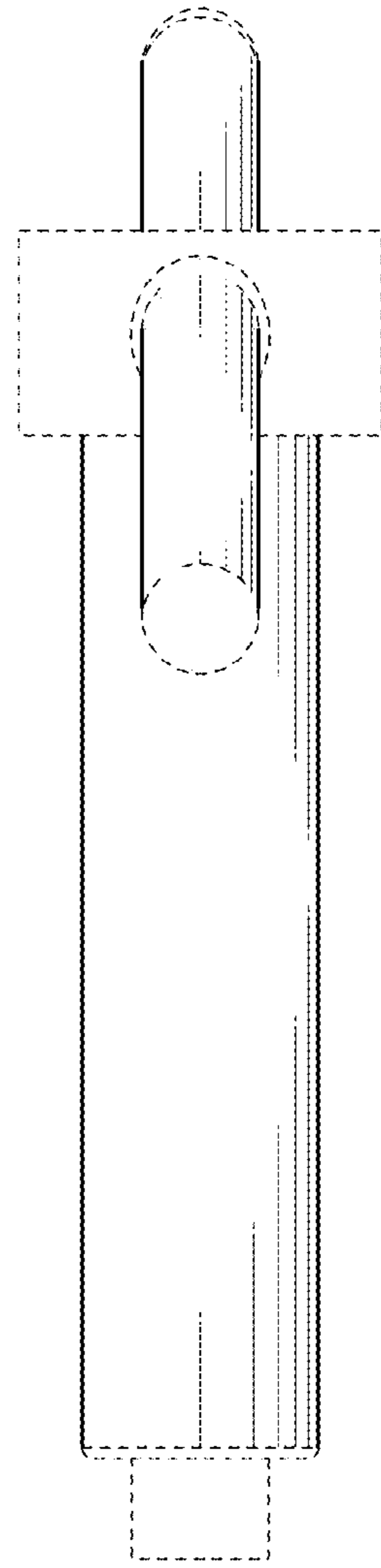


FIG. 12

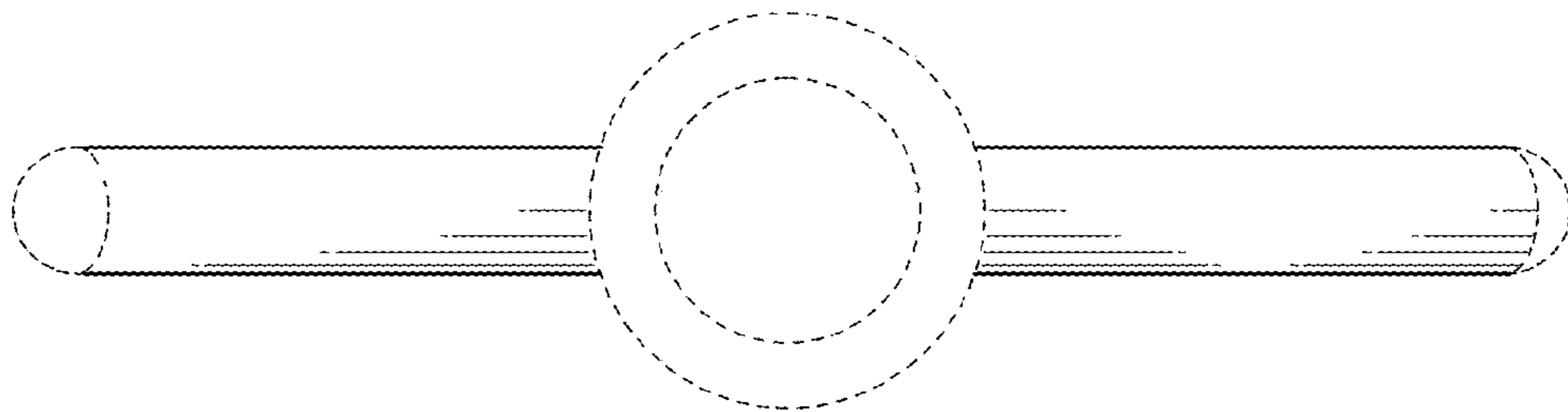


FIG. 13

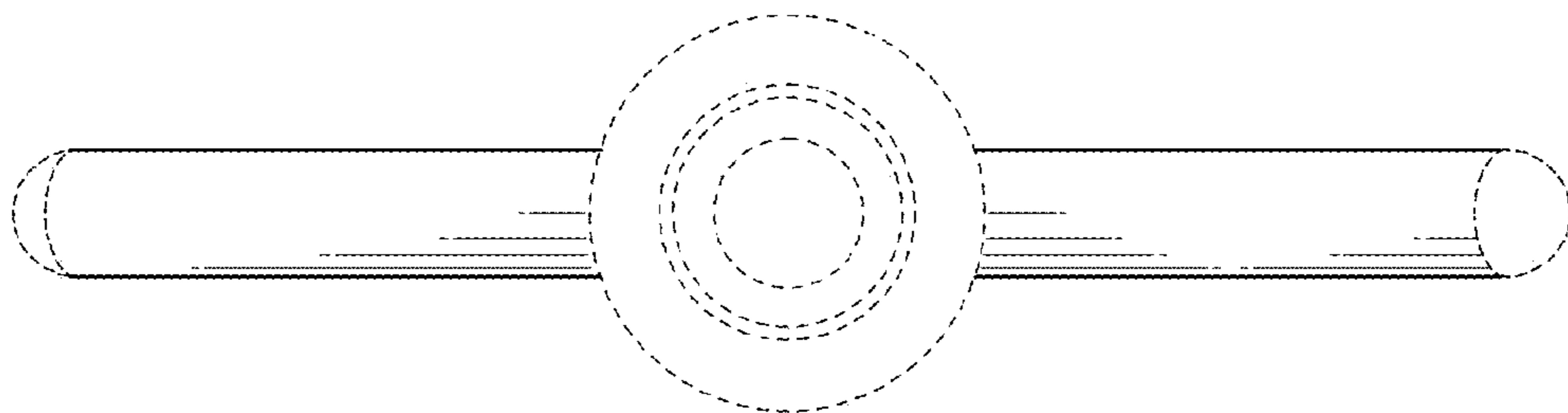


FIG. 14