



US00D960355S

(12) **United States Design Patent** (10) **Patent No.:** **US D960,355 S**
Smith (45) **Date of Patent:** **** Aug. 9, 2022**

(54) **DELIVERY SYRINGE**

D926,968 S * 8/2021 Kern D24/113
D930,897 S * 9/2021 Qiu D27/162
D946,141 S * 3/2022 Krulevitch D24/113

(71) Applicant: **Ultradent Products, Inc.**, South Jordan, UT (US)

(72) Inventor: **Wade Robert Smith**, American Fork, UT (US)

(73) Assignee: **ULTRADENT PRODUCTS, INC.**, South Jordan, UT (US)

(**) Term: **15 Years**

(21) Appl. No.: **29/652,606**

(22) Filed: **Sep. 30, 2020**

(51) **LOC (13) Cl.** **24-02**

(52) **U.S. Cl.**
USPC **D24/112; D24/113**

(58) **Field of Classification Search**
USPC D24/112–114, 108, 133, 127–130, 186
CPC A61M 5/178; A61M 5/20; A61M 5/31;
A61M 5/3146; A61M 5/3129; A61M
5/3148; A61M 5/315

See application file for complete search history.

(56) **References Cited**

U.S. PATENT DOCUMENTS

D627,061 S * 11/2010 Van der Stappen D24/113
D765,239 S * 8/2016 Hauck D24/113
D765,240 S * 8/2016 Hauck D24/113
D766,425 S * 9/2016 Hauck D24/113
D799,026 S * 10/2017 Jones D24/113
D878,566 S * 3/2020 Jansen D24/113
D878,567 S * 3/2020 Jansen D24/113
D884,161 S * 5/2020 Stewart D24/112
D907,765 S * 1/2021 Eriksen A61M 5/24
D24/112

OTHER PUBLICATIONS

Mosaic™ Syringes and Singles, Ultradent, Ultradent.com, [Post-date Unknown], [Site seen Mar. 31, 2022], Seen at URL: <https://www.ultradent.com/products/categories/composites/paste-type-composite/mosaic?group=4022> (Year: 2022).
Glatiramer Acetate Injection, Viatris, Catalog, [Publication date 2021], [Site seen Mar. 31, 2022], Seen at URL: https://www.viatrisadvocate.com/-/media/viatrisadvocatecom/pdf/ga/ga-2021-0098_us_viatrisadvocatewelcomepackpatientinjectionbrochure.pdf?la=en USE (Year: 2021).*

* cited by examiner

Primary Examiner — Natasha Vujcic

Assistant Examiner — Gilbert B Ford

(74) *Attorney, Agent, or Firm* — Maschoff Brennan

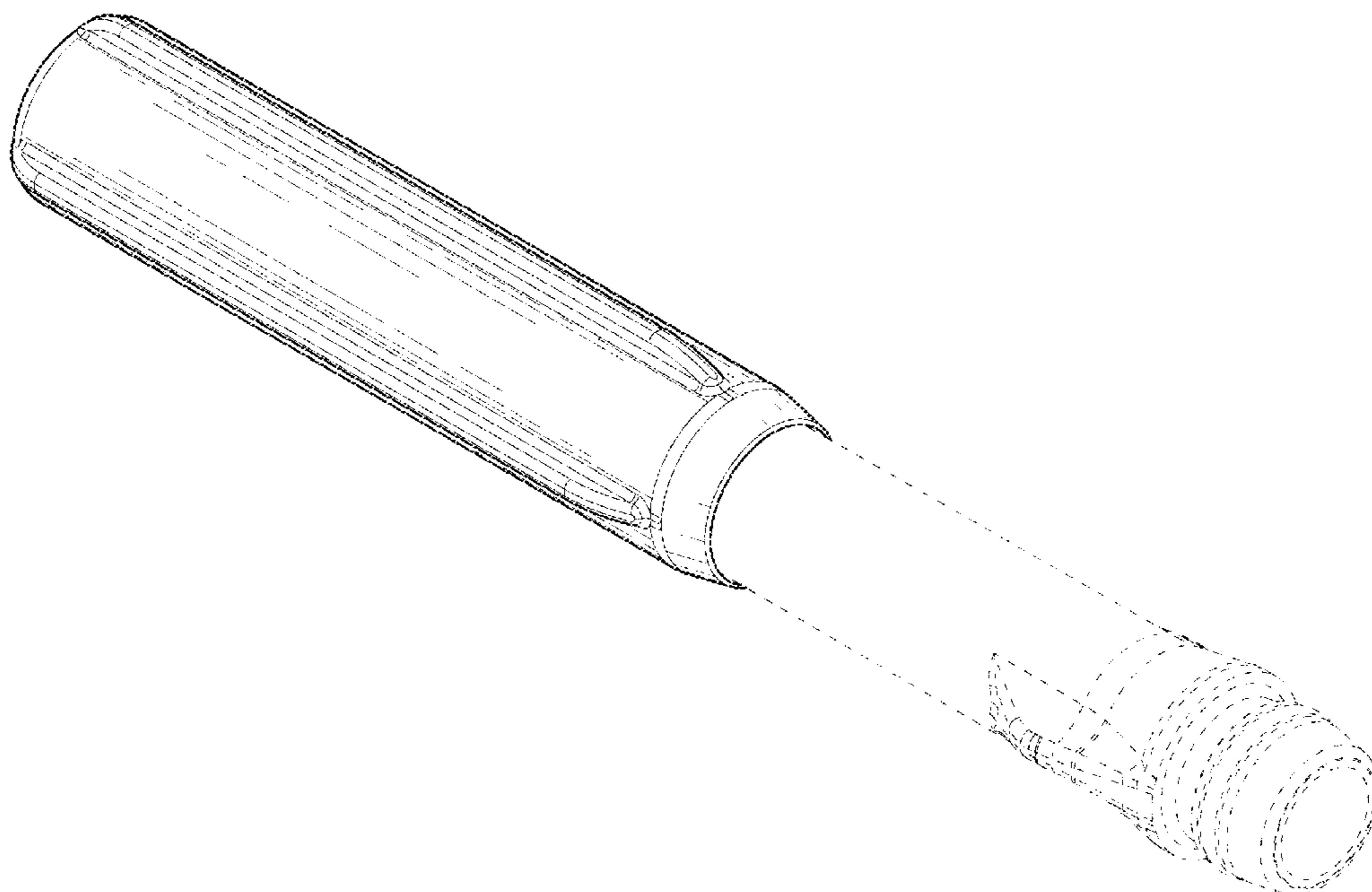
(57) **CLAIM**

The ornamental design for a delivery syringe, as shown and described.

DESCRIPTION

FIG. 1 is a perspective view of a delivery syringe; FIG. 2 is another perspective view of the delivery syringe; FIG. 3 is a top view of the delivery syringe; FIG. 4 is a bottom view of the delivery syringe; FIG. 5 is a left-side view of the delivery syringe; FIG. 6 is a right-side view of the delivery syringe; FIG. 7 is a front view of the delivery syringe; and, FIG. 8 is a rear view of the delivery syringe. The broken lines in the drawings illustrate portions of the delivery syringe and form no part of the claimed design.

1 Claim, 5 Drawing Sheets



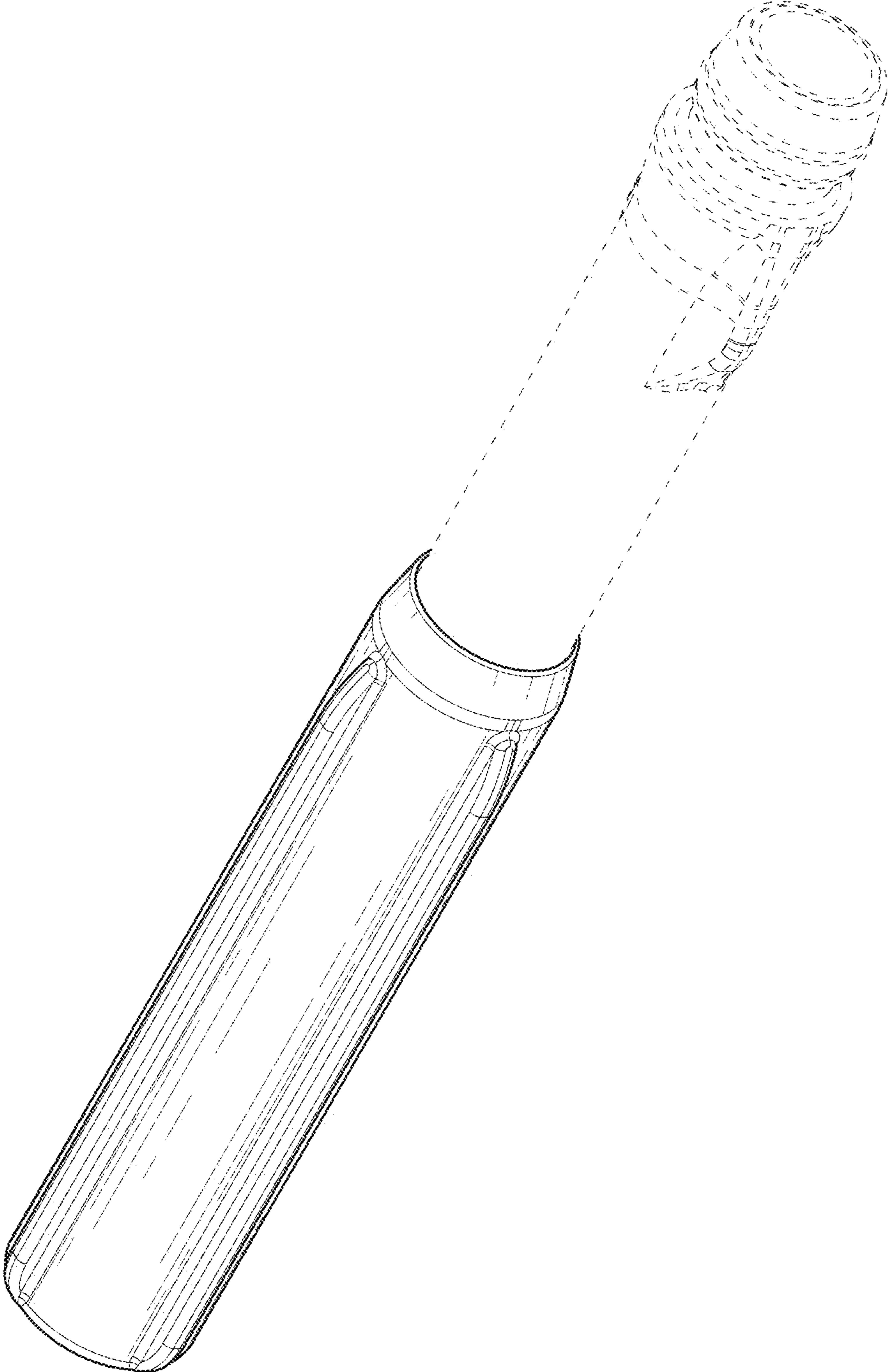


FIG. 1

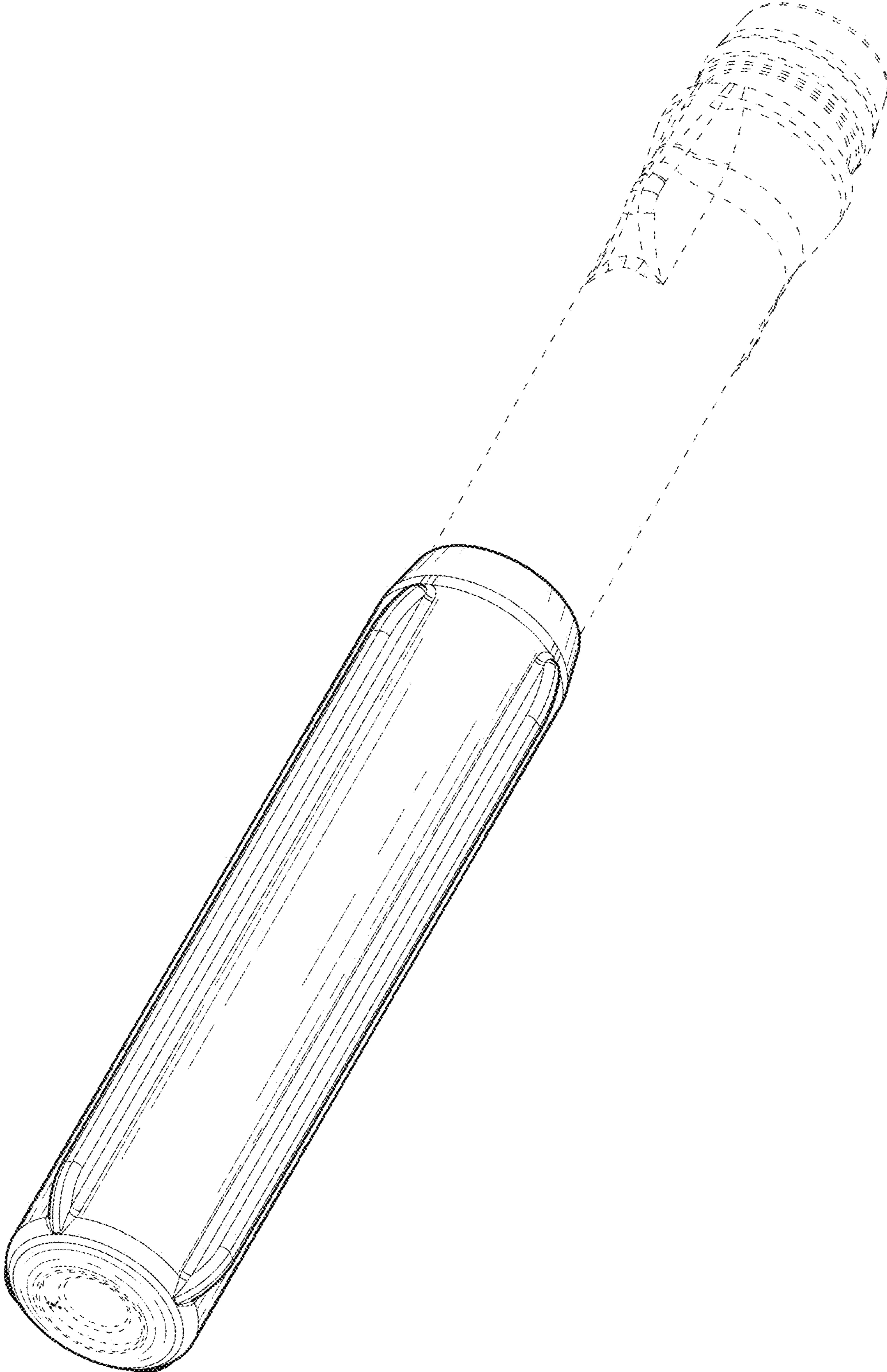


FIG. 2

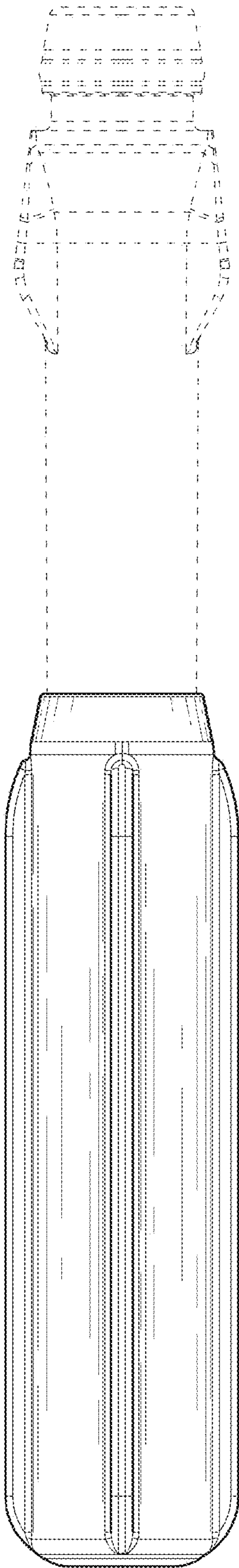


FIG. 3

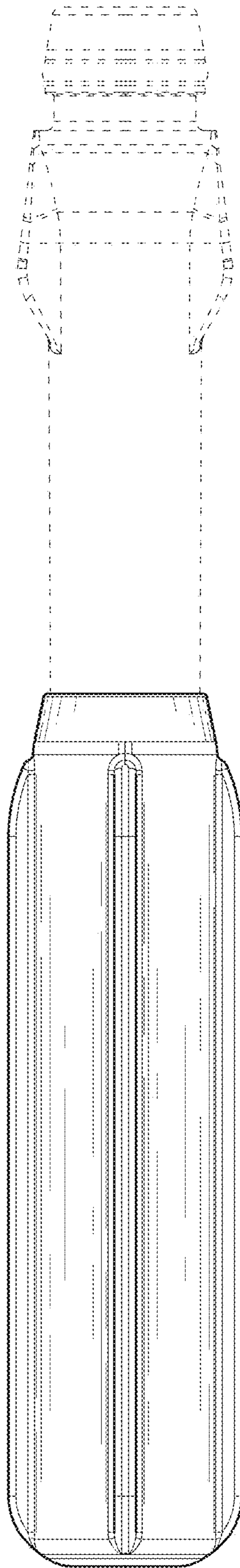


FIG. 4

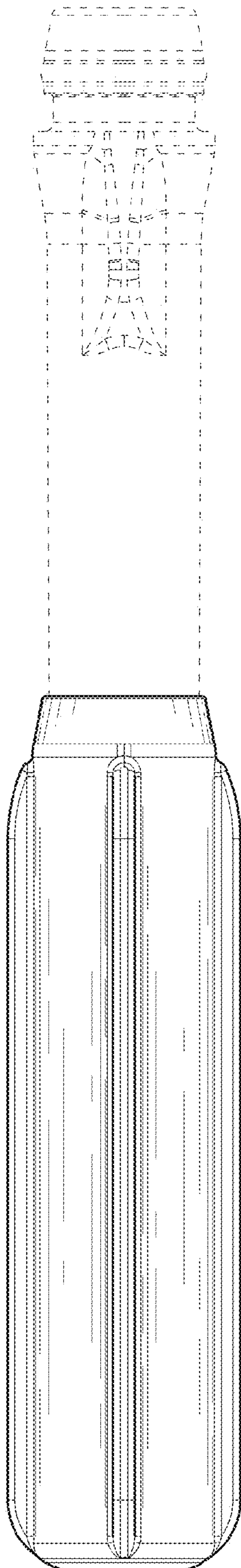


FIG. 5

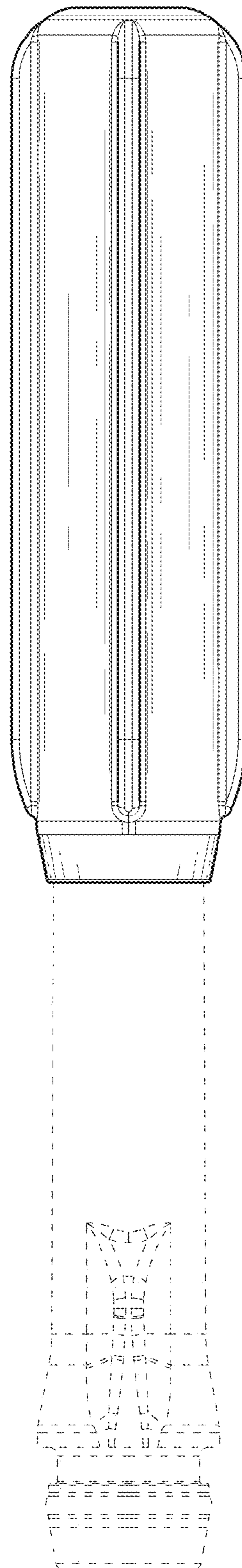


FIG. 6

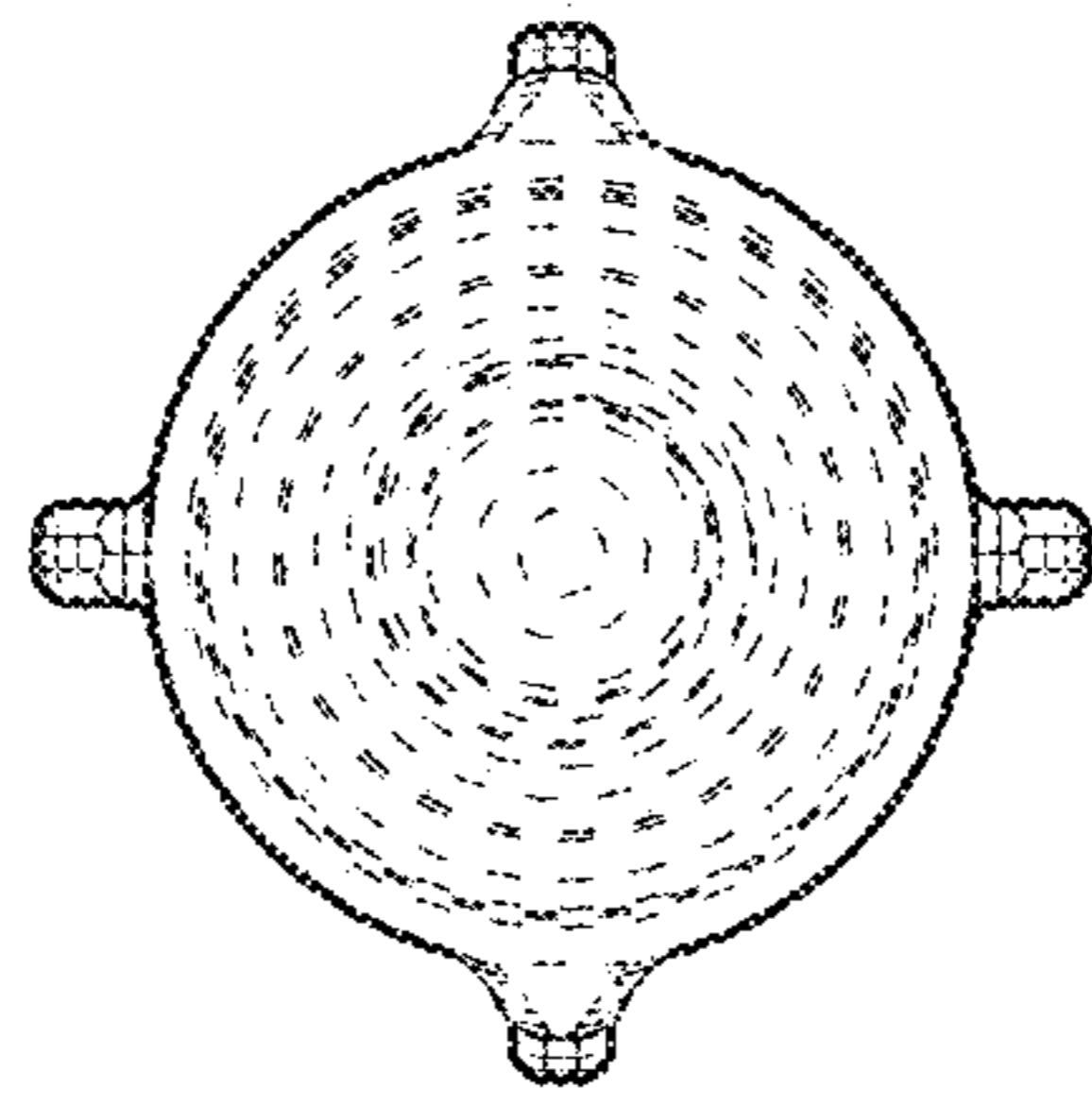


FIG. 8

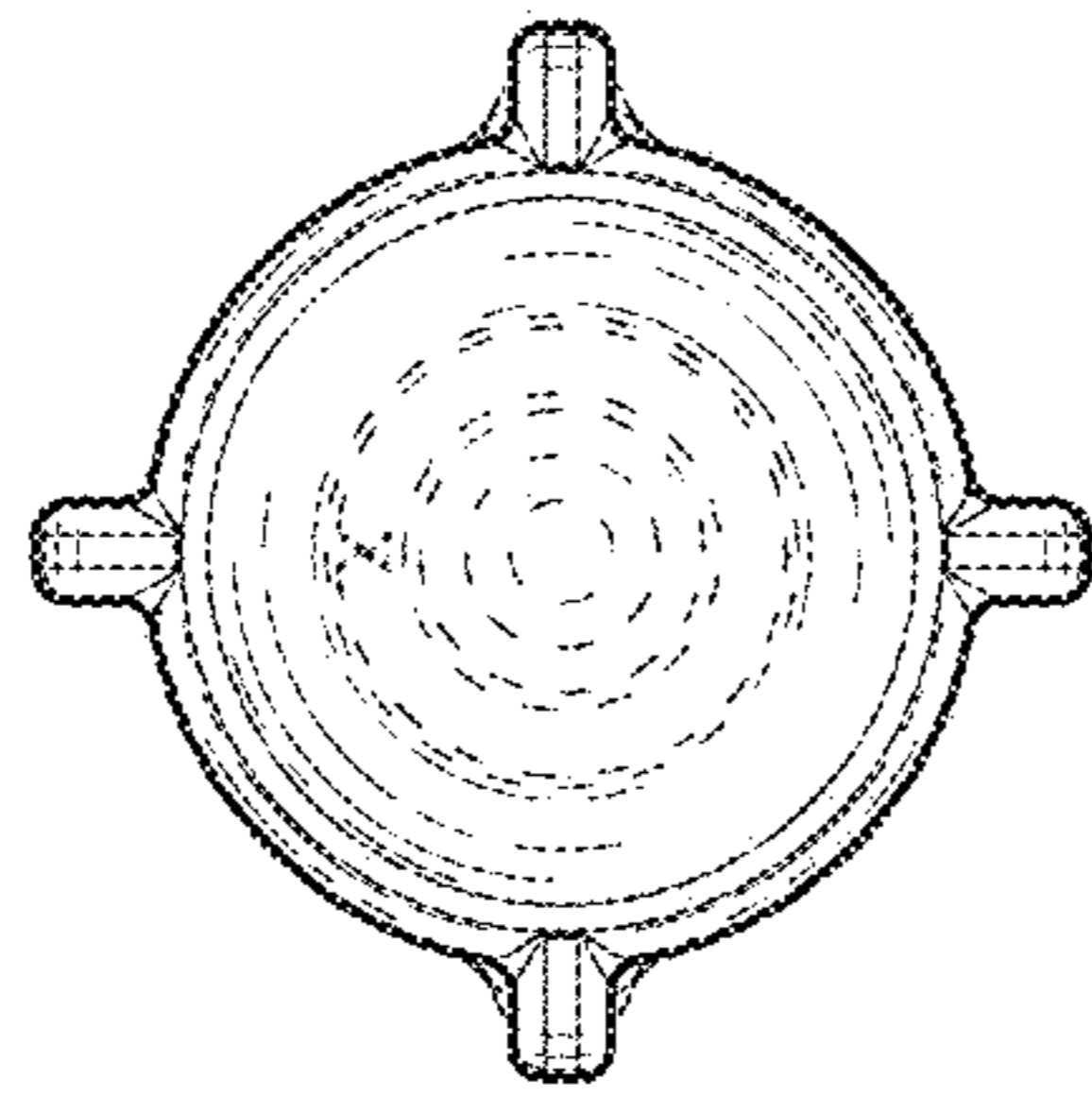


FIG. 7