

US00D960354S

(12) **United States Design Patent** (10) **Patent No.:** **US D960,354 S**
Eves et al. (45) **Date of Patent:** **** Aug. 9, 2022**

(54) **PAIR OF STABILIZER ARMS FOR PATIENT INTERFACE**

<https://www.resmed.com/en-us/sleep-apnea/cpap-parts-support/sleep-apnea-full-products-list/cpap-masks/airfit-f20/> (Year: 2020).*

(Continued)

(71) Applicant: **ResMed Pty Ltd**, Bella Vista (AU)

Primary Examiner — Sheryl Lane

(72) Inventors: **Matthew Eves**, Sydney (AU); **Lemmy Nga**, Sydney (AU); **Gerard Michael Rummery**, Woodford (AU); **Rupert Christian Scheiner**, Sydney (AU); **Errol Savio Alex D'Souza**, Sydney (AU)

Assistant Examiner — Aula Soroush

(74) *Attorney, Agent, or Firm* — Nixon & Vanderhye P.C.

(73) Assignee: **ResMed Pty Ltd**, Bella Vista (AU)

(57) **CLAIM**

The ornamental design for a pair of stabilizer arms for patient interface, as shown and described.

(**) Term: **15 Years**

DESCRIPTION

(21) Appl. No.: **29/812,451**

(22) Filed: **Oct. 21, 2021**

Related U.S. Application Data

(60) Continuation of application No. 29/738,219, filed on Jun. 16, 2020, which is a division of application No. (Continued)

(51) **LOC (13) Cl.** **29-02**

(52) **U.S. Cl.**
USPC **D24/110.4**

(58) **Field of Classification Search**
USPC D24/110–110.6, 127, 129; D29/110 (Continued)

(56) **References Cited**

U.S. PATENT DOCUMENTS

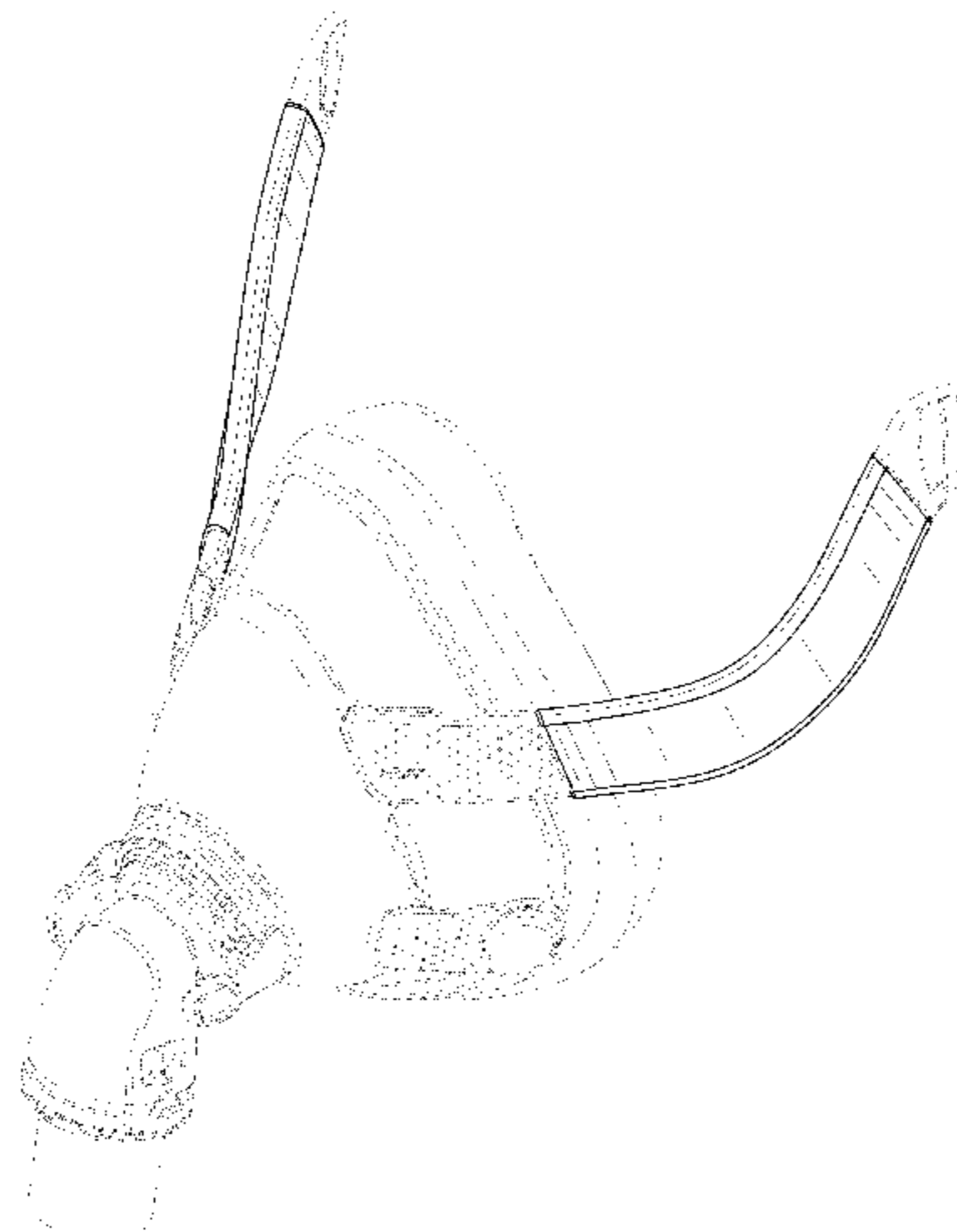
5,647,356 A 7/1997 Barnett et al.
5,647,357 A 7/1997 Barnett et al.
(Continued)

OTHER PUBLICATIONS

AirFit F20, posted at resmed.com, earliest date available Sep. 28, 2020, [online], acquired on Mar. 10, 2022, Available on internet, url:

FIG. 1 is a front perspective view of a pair of stabilizer arms for patient interface showing a first embodiment of our new design;
FIG. 2 is an enlarged front perspective view of the C pair of stabilizer arms for patient interface of FIG. 1, in isolation;
FIG. 3 is a front view thereof;
FIG. 4 is a rear view thereof;
FIG. 5 is a top view thereof;
FIG. 6 is a bottom view thereof;
FIG. 7 is a left side view thereof;
FIG. 8 is a right side view thereof;
FIG. 9 is reverse perspective view thereof;
FIG. 10 is an exploded view thereof in an exemplary setting;
FIG. 11 is a front perspective view of a pair of stabilizer arms for patient interface showing a second embodiment of our new design;
FIG. 12 is an enlarged front perspective view of the a pair of stabilizer arms for patient interface of FIG. 1, in isolation;
FIG. 13 is a front view thereof;
FIG. 14 is a rear view thereof;
FIG. 15 is a top view thereof;
FIG. 16 is a bottom view thereof;
FIG. 17 is a left side view thereof;
FIG. 18 is a right side view thereof;
FIG. 19 is reverse perspective view thereof; and,
FIG. 20 is an exploded view thereof in an exemplary setting.

(Continued)



The broken lines in the drawings depict portions of the pair of stabilizer arms for patient interface that form no part of the claimed design.

1 Claim, 20 Drawing Sheets

Related U.S. Application Data

29/663,680, filed on Sep. 18, 2018, now Pat. No. Des. 891,610, which is a division of application No. 29/581,900, filed on Oct. 24, 2016, now Pat. No. Des. 895,105.

(58) **Field of Classification Search**

CPC A61M 16/0616; A61M 16/0633; A61M 16/06; A61M 16/0666; A61M 16/0683; A61M 16/0605; A61M 16/0622; A61M 16/0644; A61M 16/0875; A61M 16/0816; A61M 16/08; B63C 11/205; B63C 11/16; B63C 11/186; B63C 11/12

See application file for complete search history.

(56) **References Cited**

U.S. PATENT DOCUMENTS

5,662,101	A	9/1997	Ogden et al.	
5,884,624	A	3/1999	Barnett et al.	
6,651,663	B2	11/2003	Barnett et al.	
6,729,333	B2	5/2004	Barnett et al.	
D493,885	S	8/2004	Raje	
6,959,710	B2	11/2005	Barnett et al.	
7,210,481	B1	5/2007	Lovell et al.	
7,640,933	B1 *	1/2010	Ho	A61M 16/06 128/206.28
7,703,457	B2	4/2010	Barnett et al.	
D619,701	S	7/2010	Edwards	
D635,247	S	3/2011	Scheiner et al.	
D665,494	S	8/2012	Stallard	
D679,799	S	4/2013	D'Souza et al.	
D693,460	S	11/2013	Rothermel	
D693,462	S	11/2013	Rothermel	
D694,875	S	12/2013	D'Souza	
D695,887	S	12/2013	Ozolins	
D700,697	S	3/2014	Ho	
D703,807	S	4/2014	Chu	
D707,349	S	6/2014	D'Souza	
D717,942	S	11/2014	Neff	
9,119,931	B2	9/2015	D'Souza et al.	
D751,188	S	3/2016	Skipper	
RE45,985	E	4/2016	McAuley	
D754,328	S	4/2016	Bowsher	
D760,379	S	6/2016	Smith et al.	
D767,755	S	9/2016	D'Souza	
D769,440	S	10/2016	Amarasinghe	
9,757,533	B2	9/2017	Ng et al.	
D809,131	S	1/2018	Law	
D843,560	S	3/2019	D'Souza	
D884,152	S	5/2020	Law et al.	
D891,610	S	7/2020	Eves et al.	
D895,105	S	9/2020	Eves et al.	
2004/0025883	A1 *	2/2004	Eaton	A61M 16/0683 128/207.11
2004/0045551	A1 *	3/2004	Eaton	A61M 16/0683 128/206.24
2004/0065328	A1 *	4/2004	Amarasinghe	A61M 16/0633 128/206.27

2005/0172969	A1	8/2005	Ging	
2006/0042629	A1	3/2006	Geist	
2007/0277828	A1	12/2007	Ho	
2008/0047561	A1	2/2008	Fu	
2008/0066757	A1	3/2008	Stallard	
2008/0257354	A1	10/2008	Davidson	
2008/0314390	A1	12/2008	Kwok	
2009/0250065	A1 *	10/2009	Omura	A61M 16/0683 128/207.11
2010/0051034	A1	3/2010	Howard	
2010/0319700	A1 *	12/2010	Ng	A61M 16/0066 128/206.28
2011/0146684	A1	6/2011	Wells	
2011/0259337	A1 *	10/2011	Hitchcock	A61M 16/0875 128/207.11
2012/0138063	A1 *	6/2012	Eves	A61M 16/06 128/206.24
2012/0204879	A1	8/2012	Cariola	
2012/0204881	A1	8/2012	Davidson	
2012/0222680	A1 *	9/2012	Eves	A61M 16/0683 128/206.24
2013/0000646	A1 *	1/2013	Haibach	A61M 16/06 128/205.25
2013/0008448	A1 *	1/2013	Todd	A61M 16/0633 128/205.25
2013/0228173	A1 *	9/2013	Busch	A61M 16/0633 128/202.27
2013/0324788	A1 *	12/2013	Holley	A61M 16/06 128/202.16
2013/0327336	A1 *	12/2013	Burnham	A61M 16/0866 128/206.21
2014/0026888	A1 *	1/2014	Matula, Jr.	A61M 16/06 128/205.25
2014/0083429	A1 *	3/2014	Rothermel	A61M 16/0683 128/205.25
2014/0150800	A1	6/2014	Zeijlstra	
2014/0216462	A1 *	8/2014	Law	A61M 16/0616 128/205.25
2014/0261427	A1 *	9/2014	Foote	A61M 16/0069 128/204.23
2014/0261435	A1 *	9/2014	Rothermel	A61M 16/06 128/205.25
2014/0290663	A1 *	10/2014	Rothermel	A61M 16/0816 128/206.24
2014/0311496	A1 *	10/2014	Rothermel	A61M 16/06 128/206.24
2015/0000671	A1 *	1/2015	Frerichs	A61M 16/0633 29/428
2016/0082214	A1	3/2016	Barlow et al.	
2016/0325067	A1 *	11/2016	Harwood	A61M 16/0816
2017/0368288	A1 *	12/2017	Stephens	A61M 16/0622
2017/0368289	A1 *	12/2017	Baiko	A61M 16/0816
2018/0021536	A1	1/2018	Ng	

OTHER PUBLICATIONS

U.S. Appl. No. 29/663,680, filed Sep. 18, 2018 of Matthew Eves et al. for "Patient Interface and/or Components Thereof," (parent application).

U.S. Appl. No. 29/581,900, filed Oct. 24, 2016 of Matthew Eves et al. for "Patient Interface and/or Components Thereof," (parent application).

U.S. Appl. No. 29/739,219, filed Jun. 16, 2020 of Matthew Eves et al. for "Patient Interface and/or Components Thereof," (parent application).

U.S. Appl. No. 62/969,747, filed Feb. 4, 2020 of Tumul Gupta et al., entitled "Plenum Chamber Insert for Patient Interface," 301 pages.

* cited by examiner

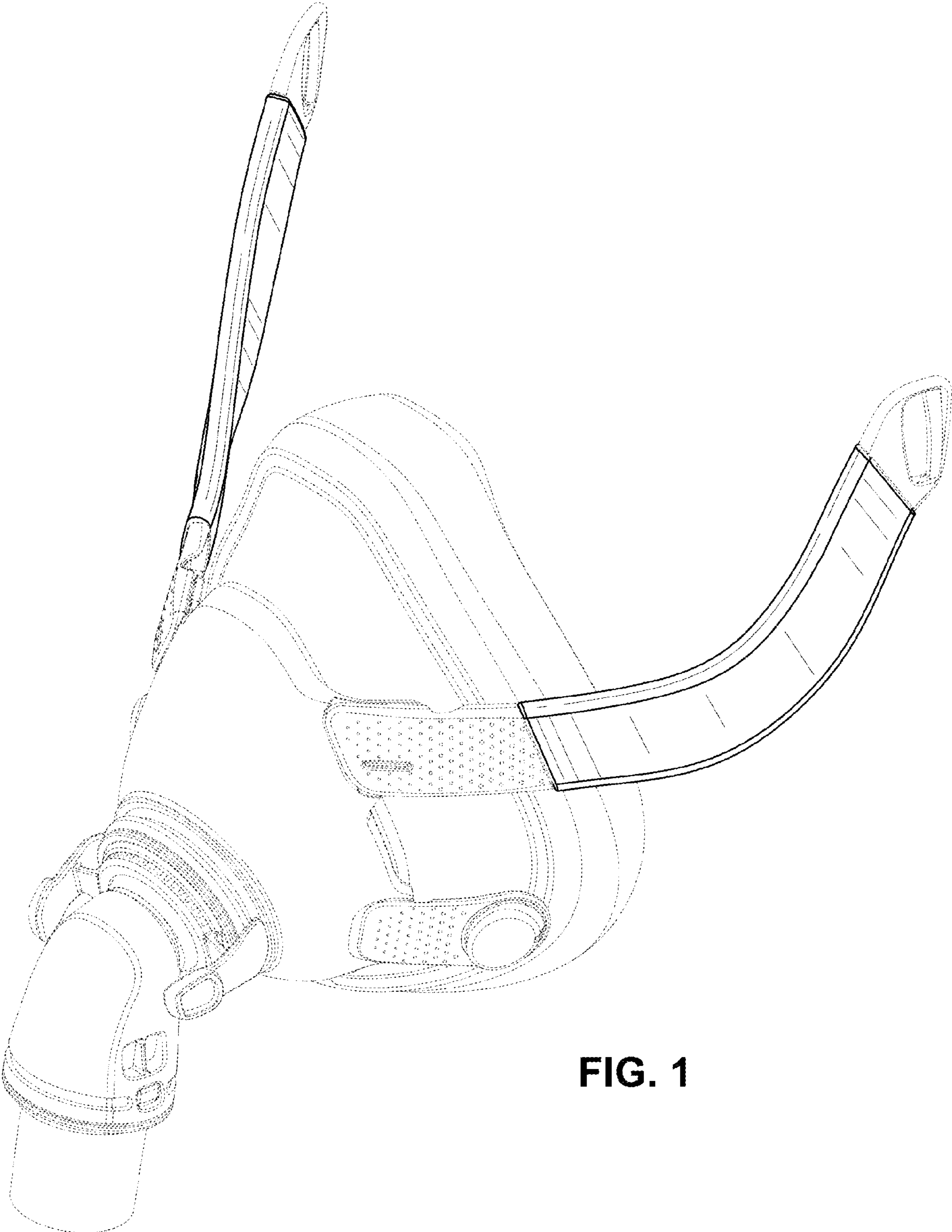


FIG. 1

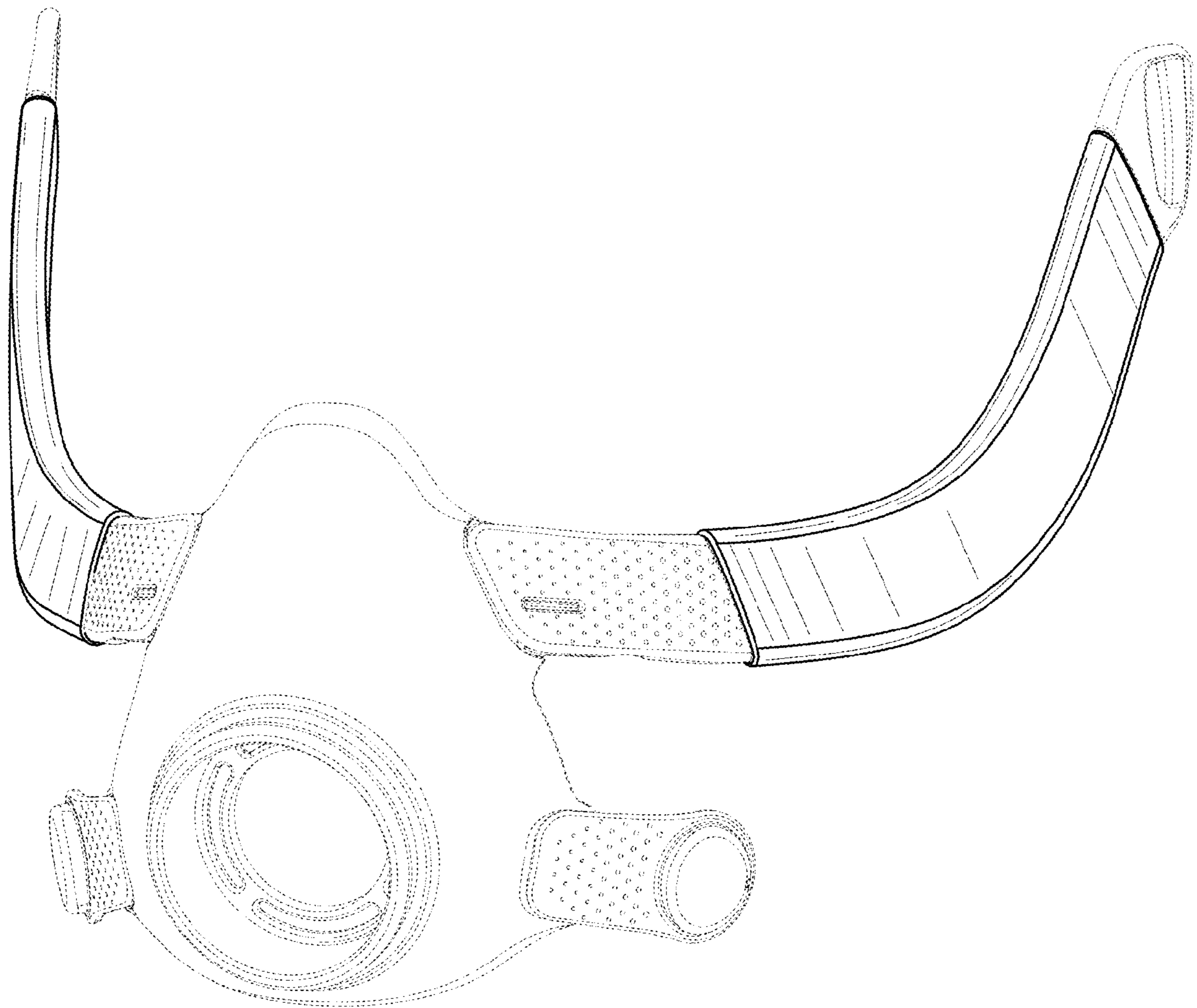


FIG. 2

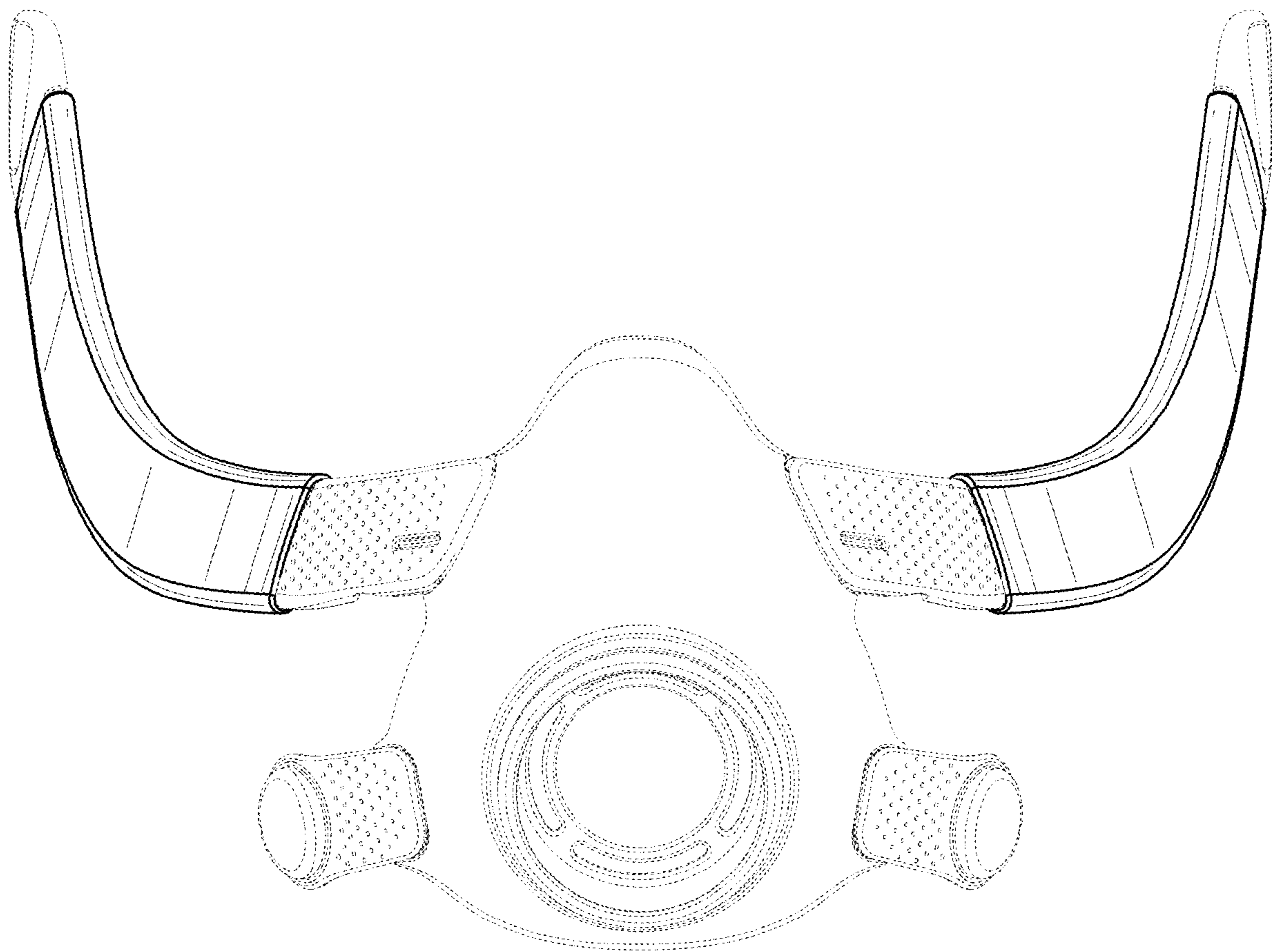


FIG. 3

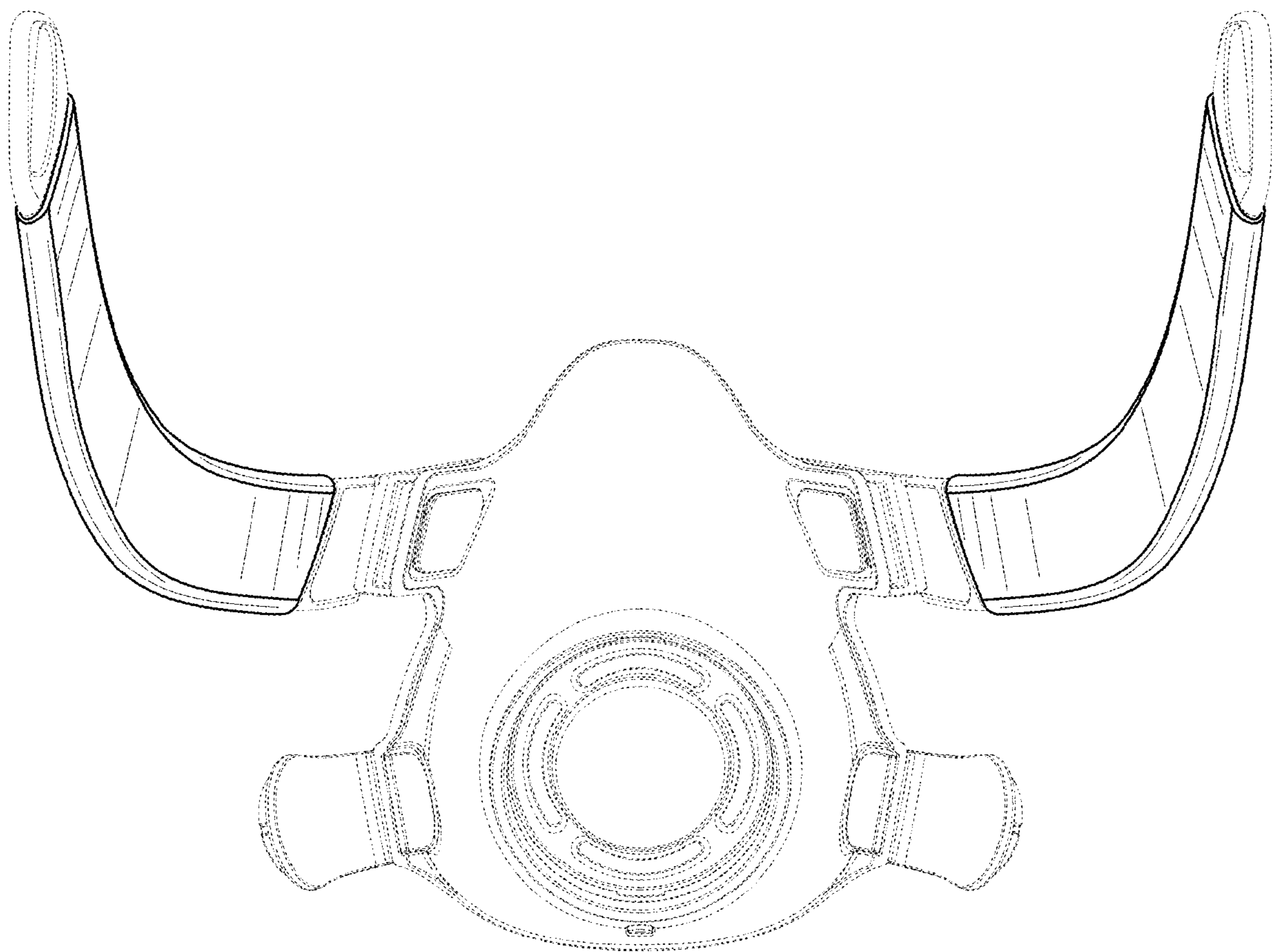


FIG. 4

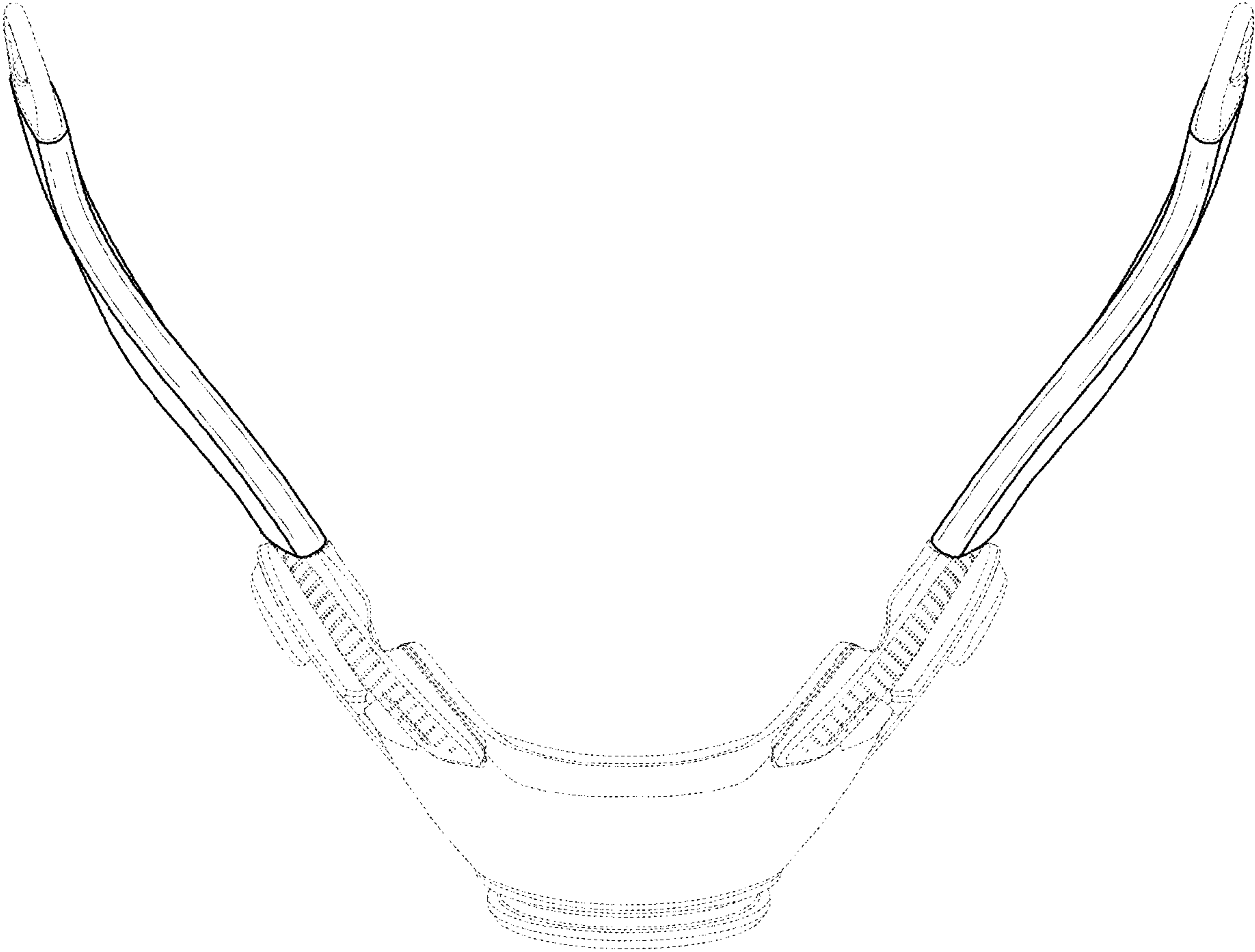


FIG. 5

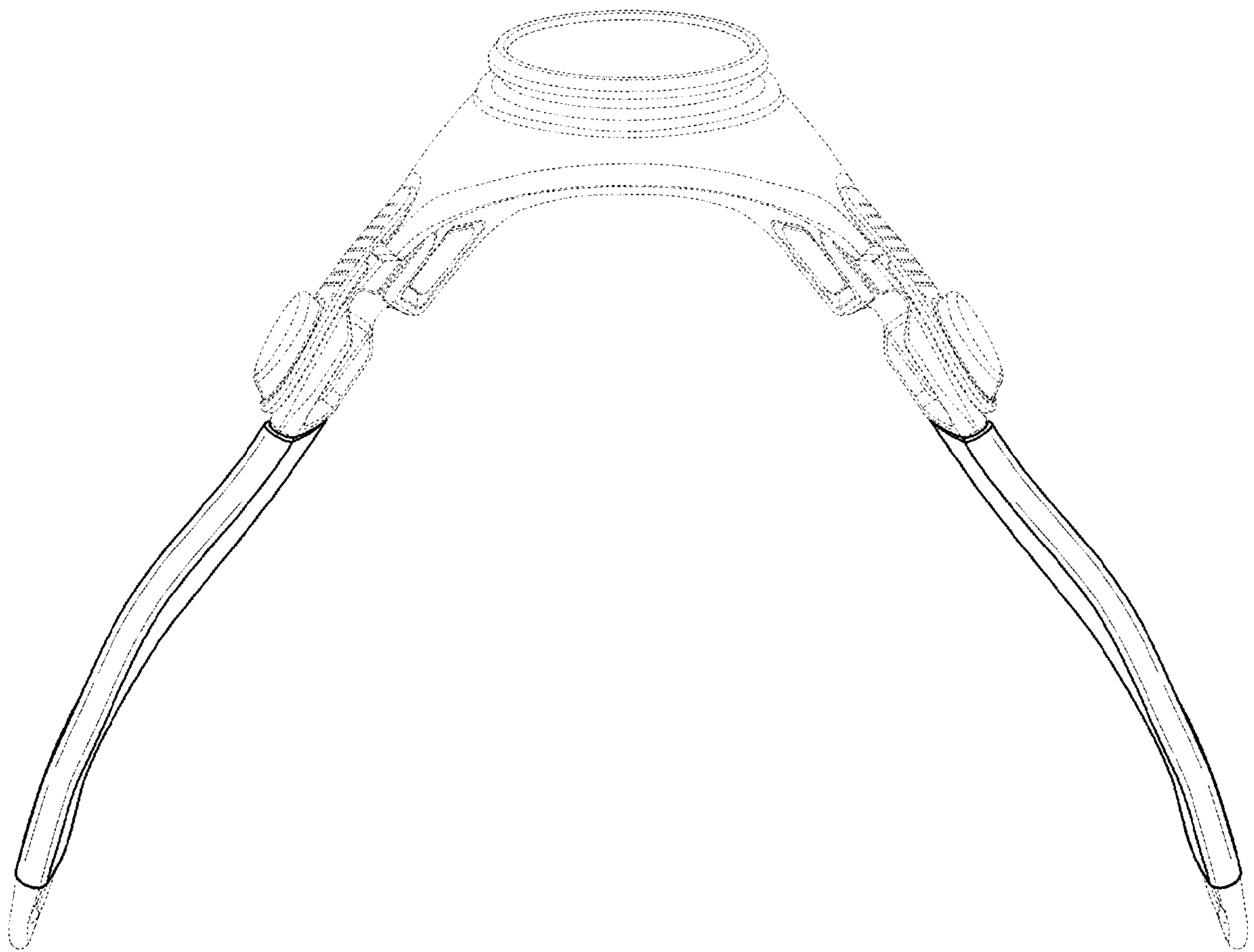


FIG. 6

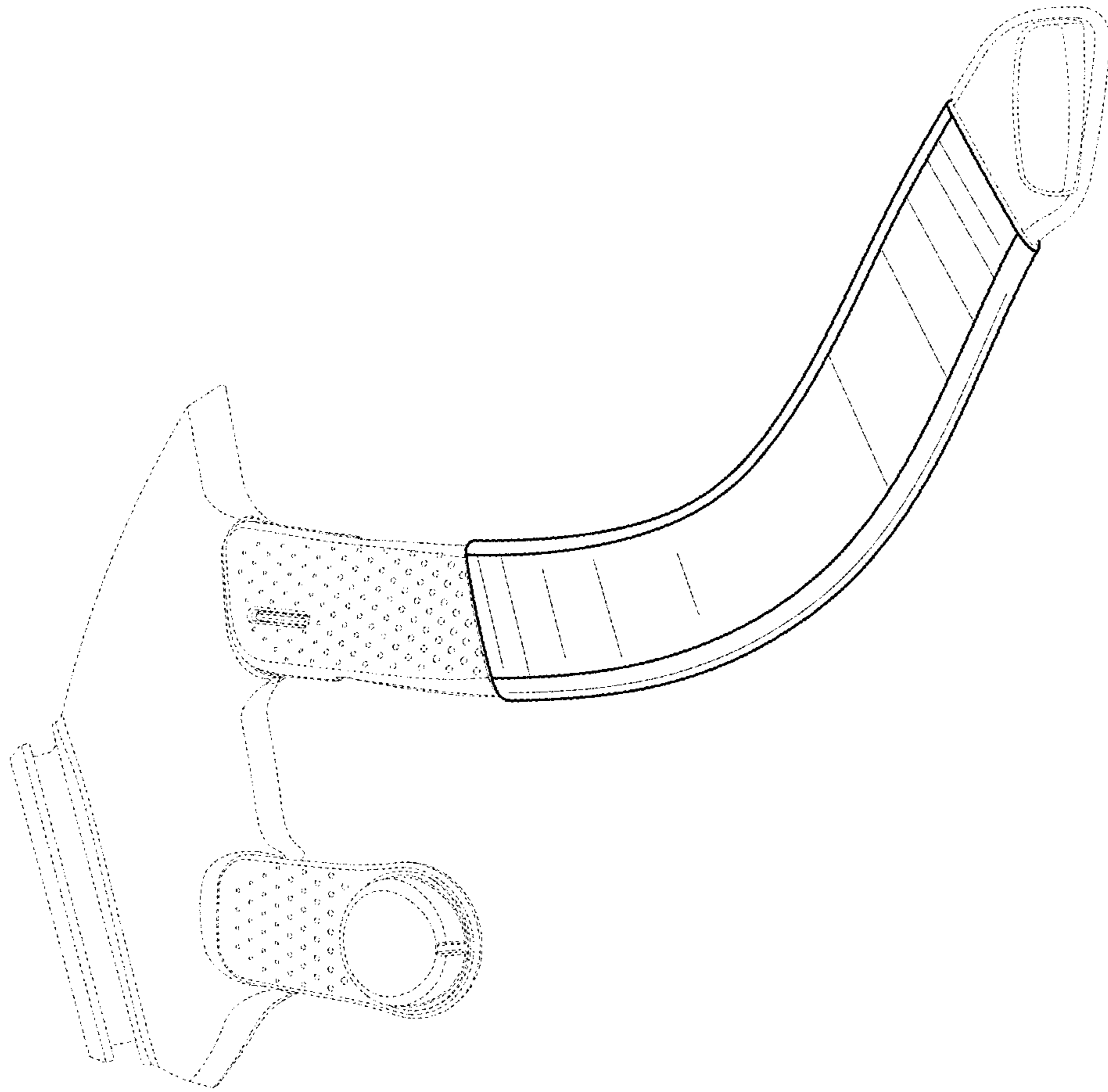


FIG. 7

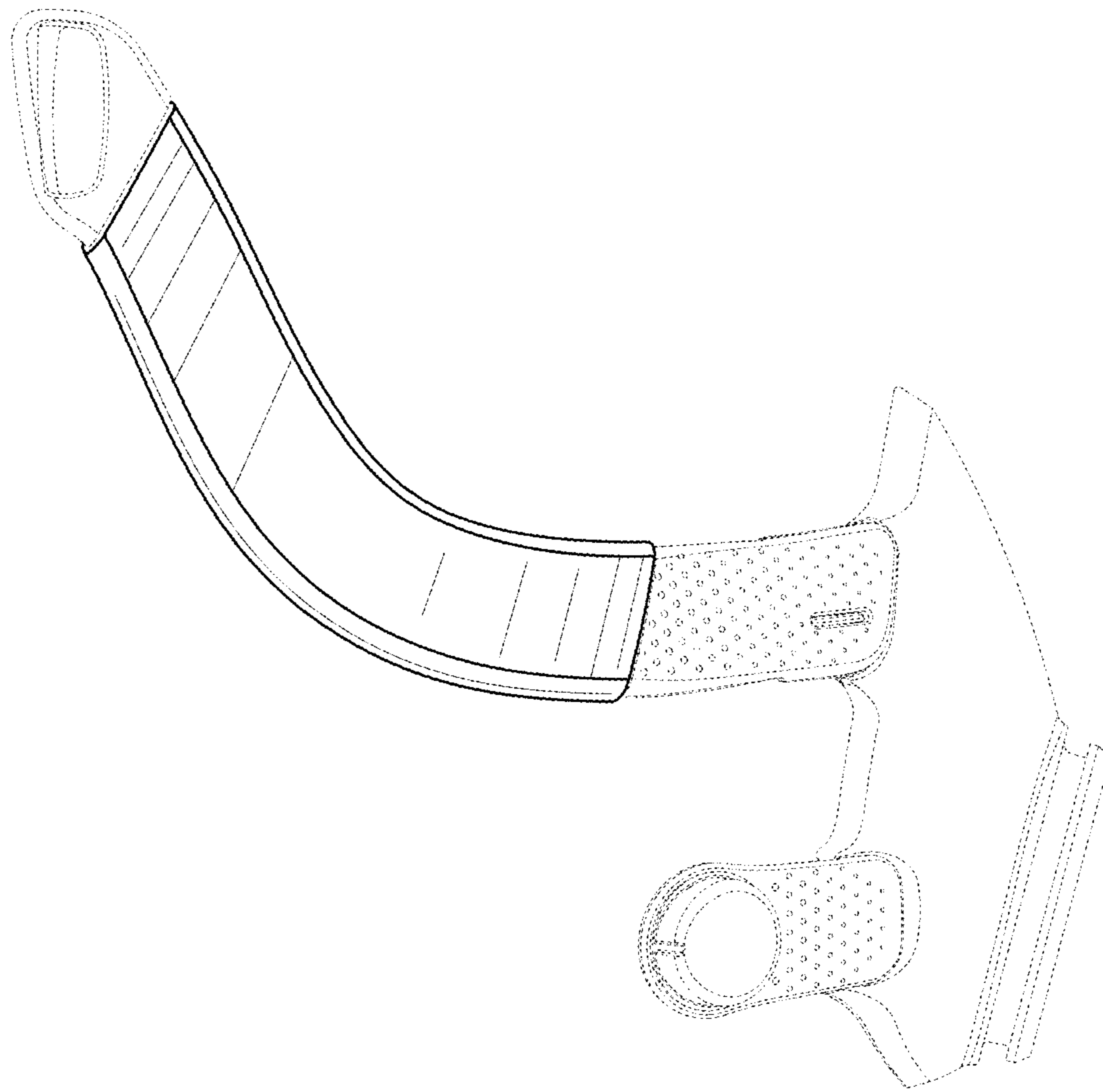


FIG. 8

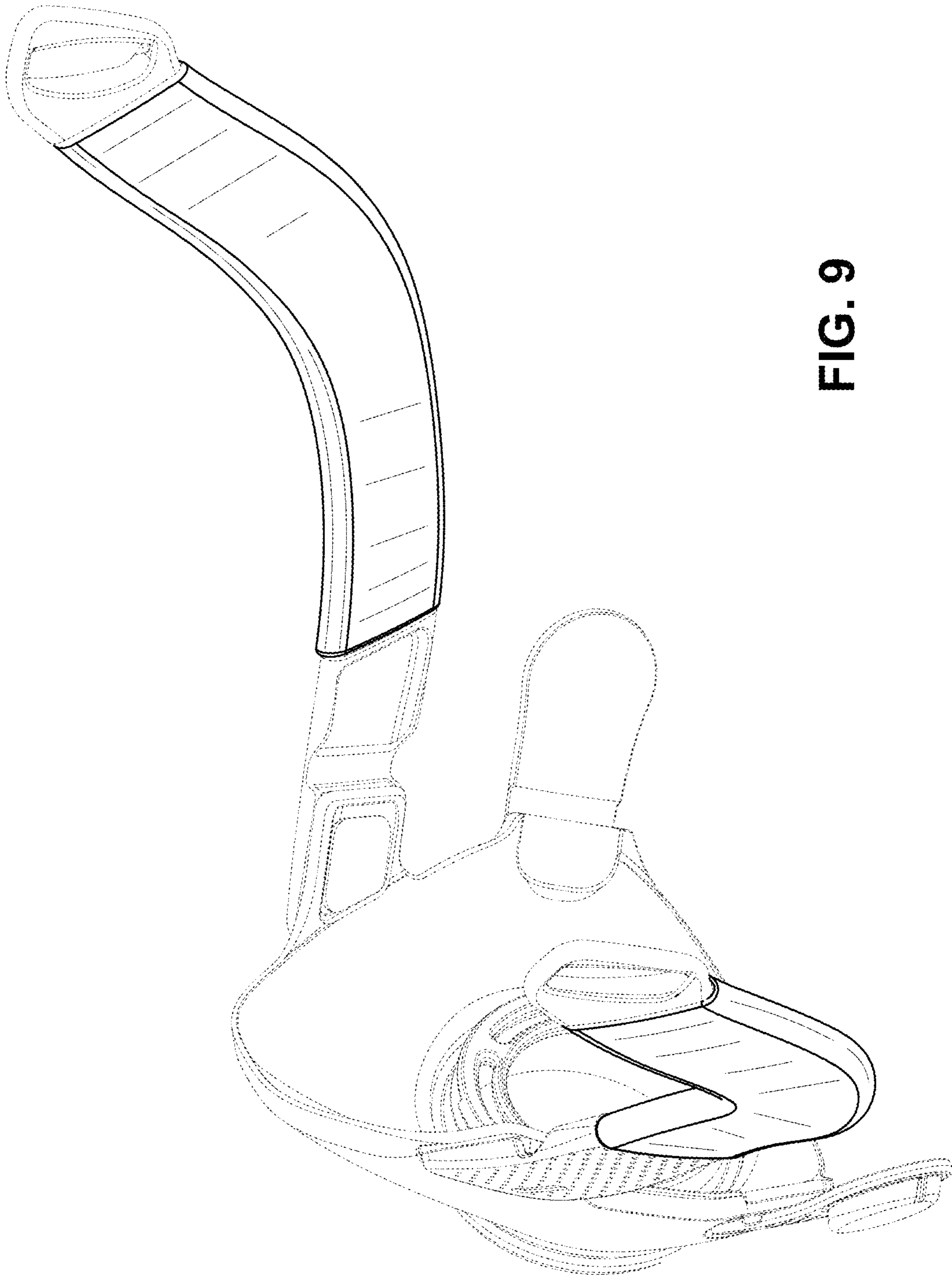


FIG. 9

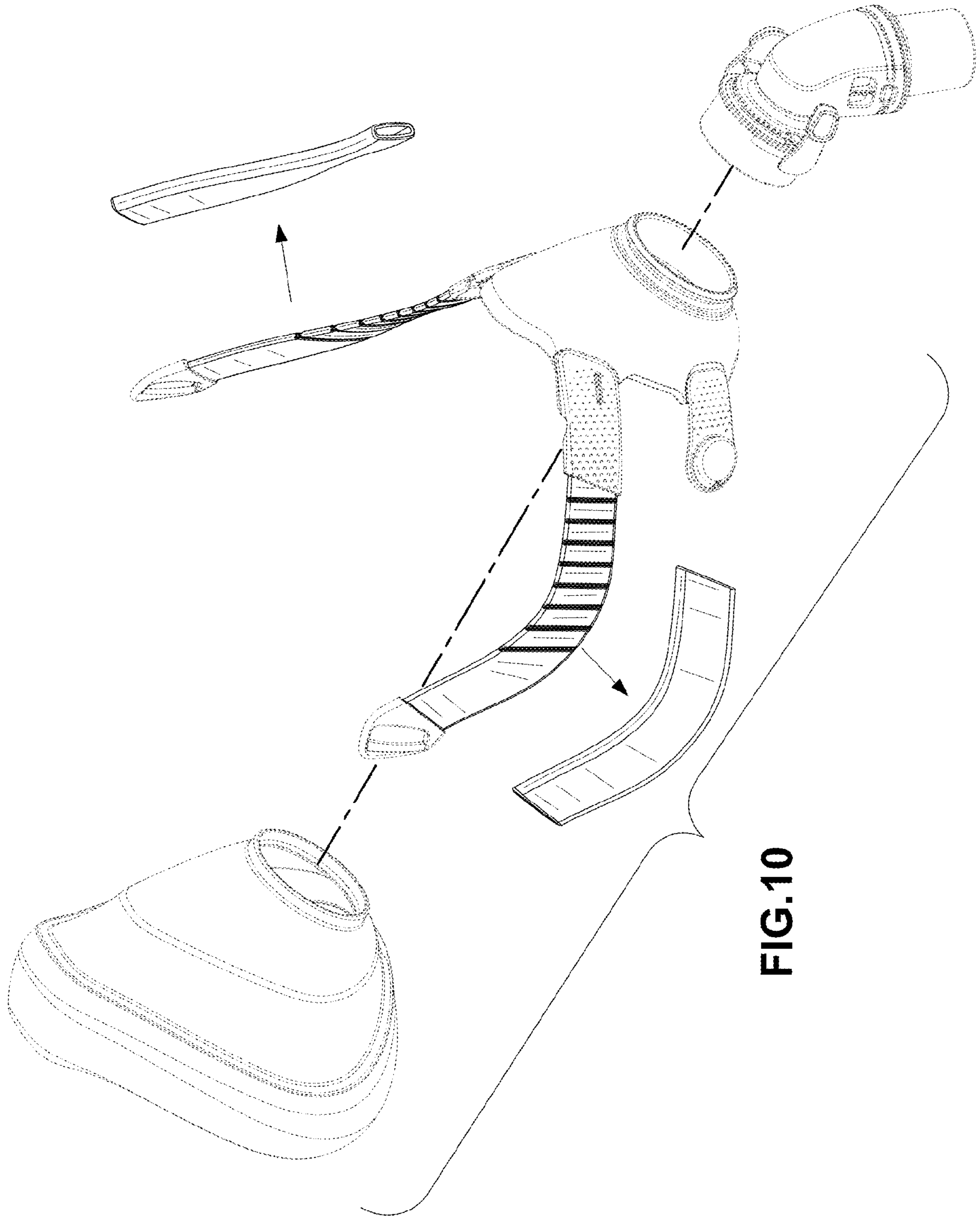


FIG.10

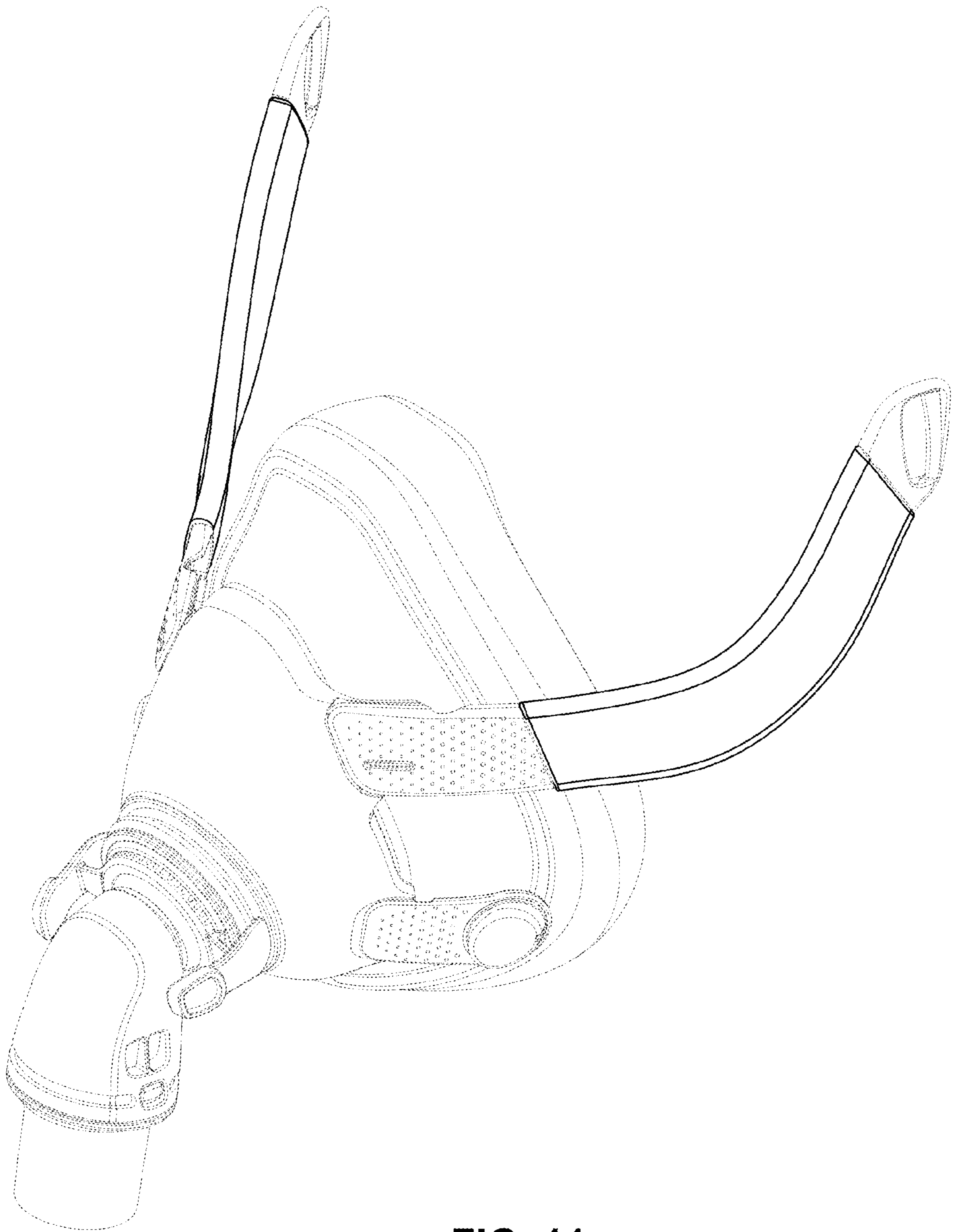


FIG. 11

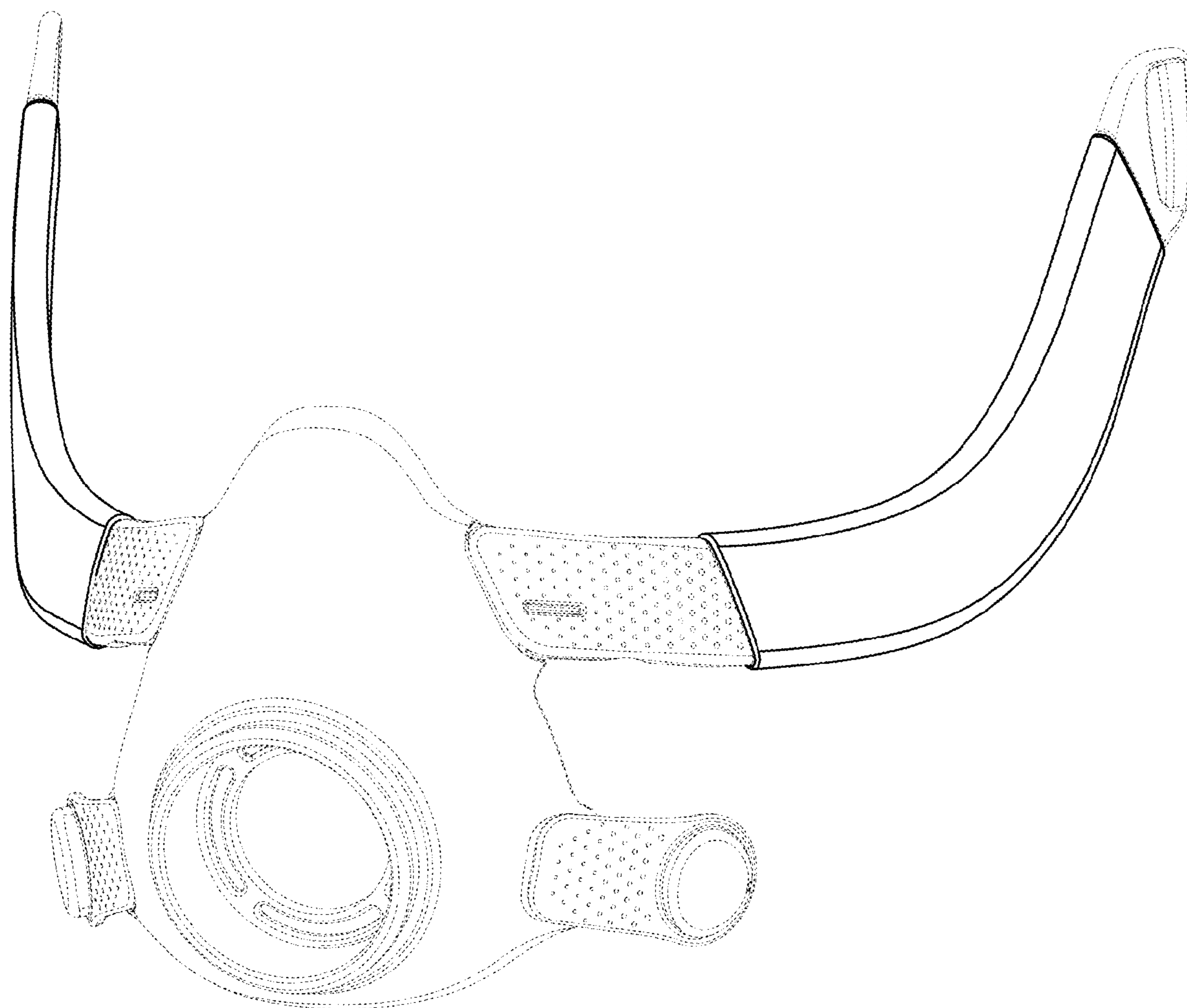


FIG. 12

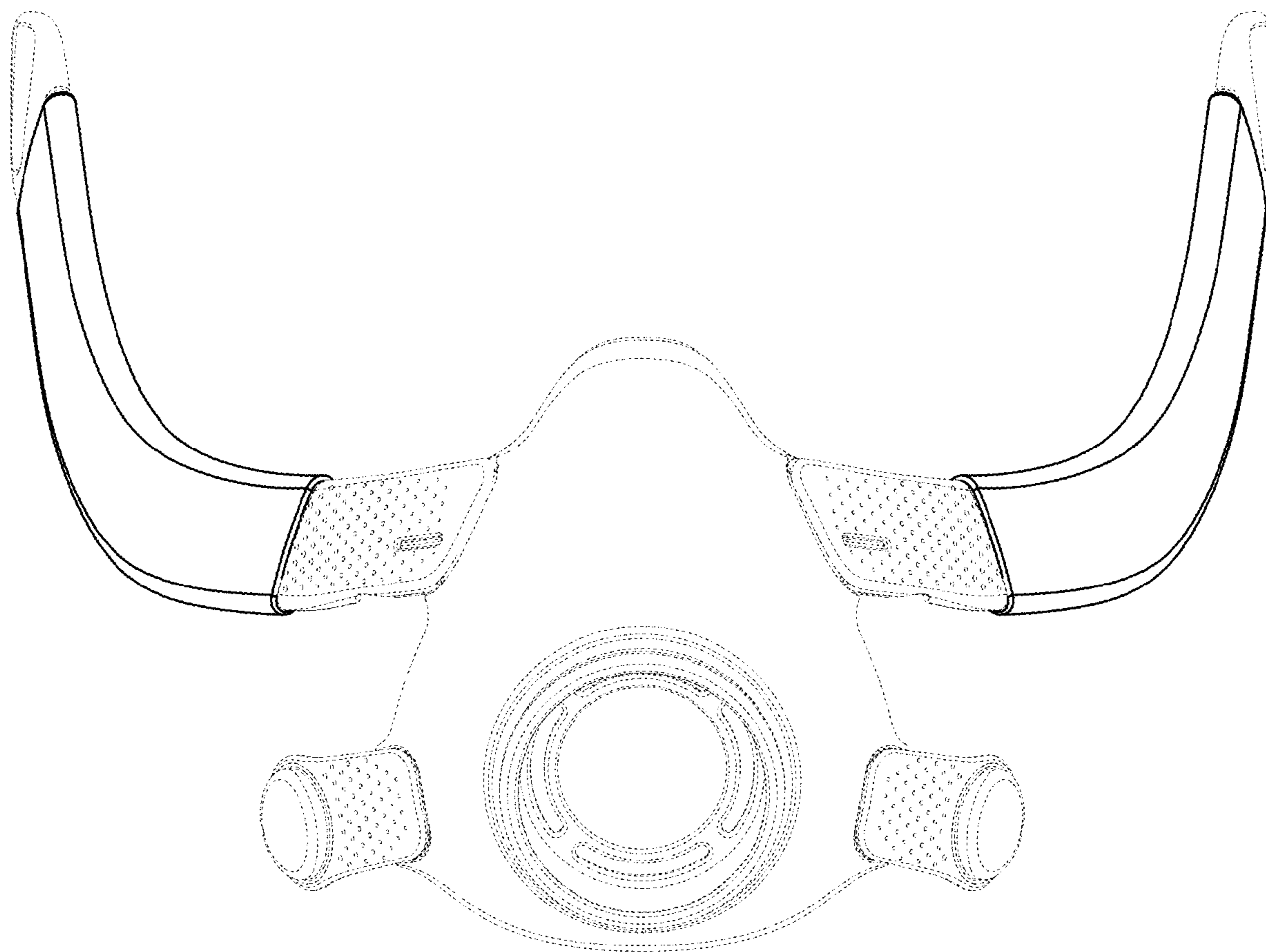


FIG. 13

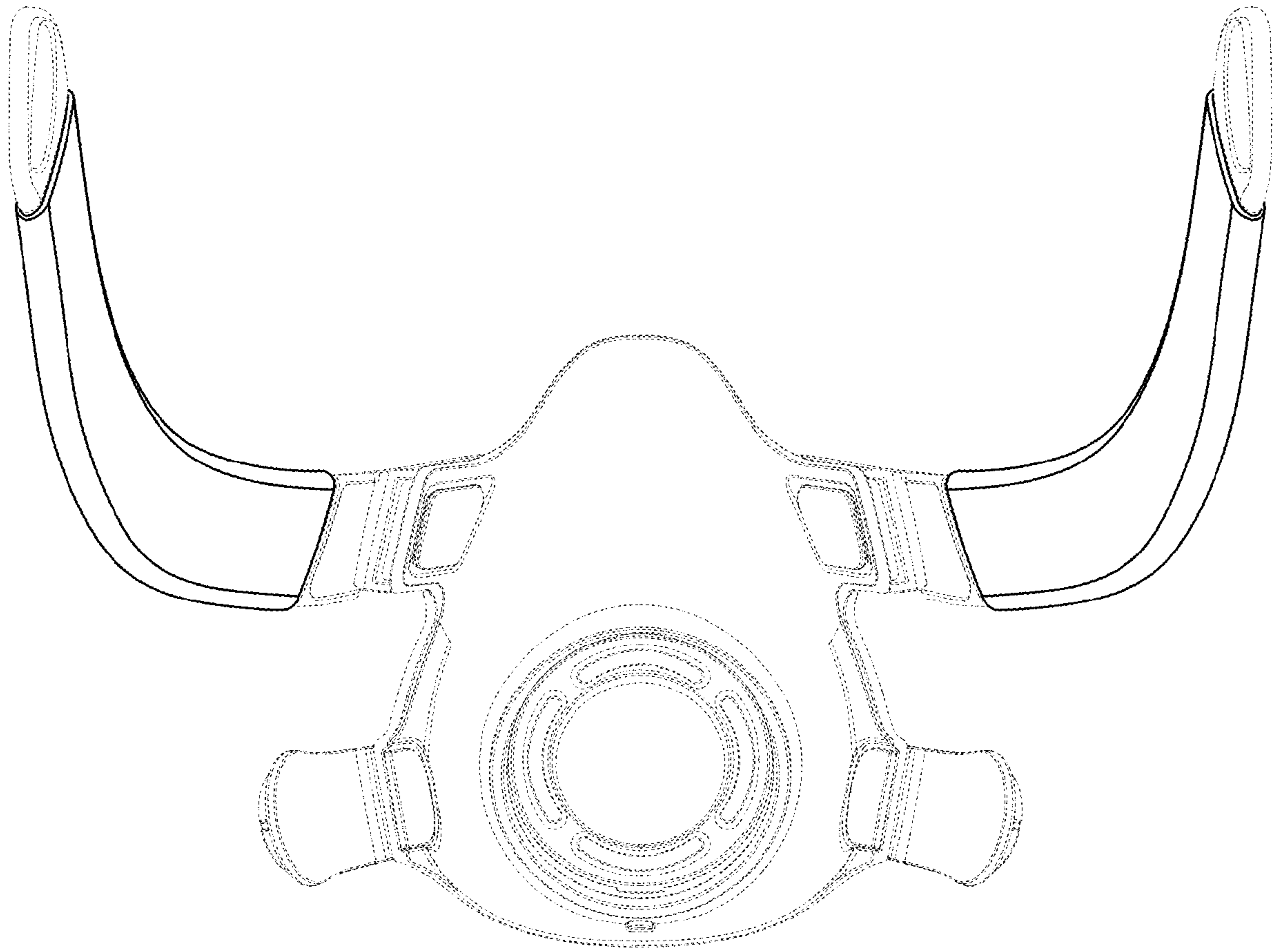


FIG. 14

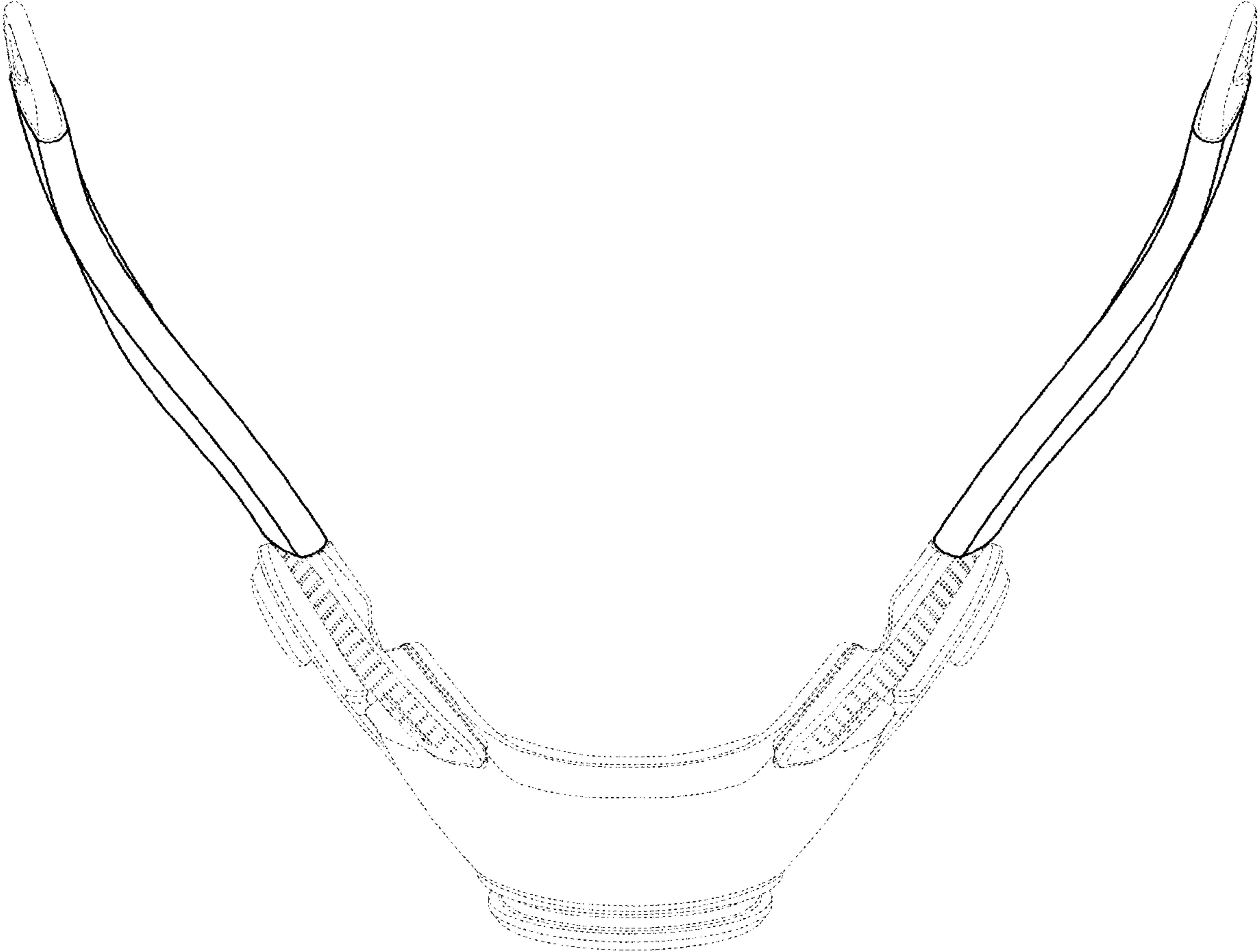


FIG. 15

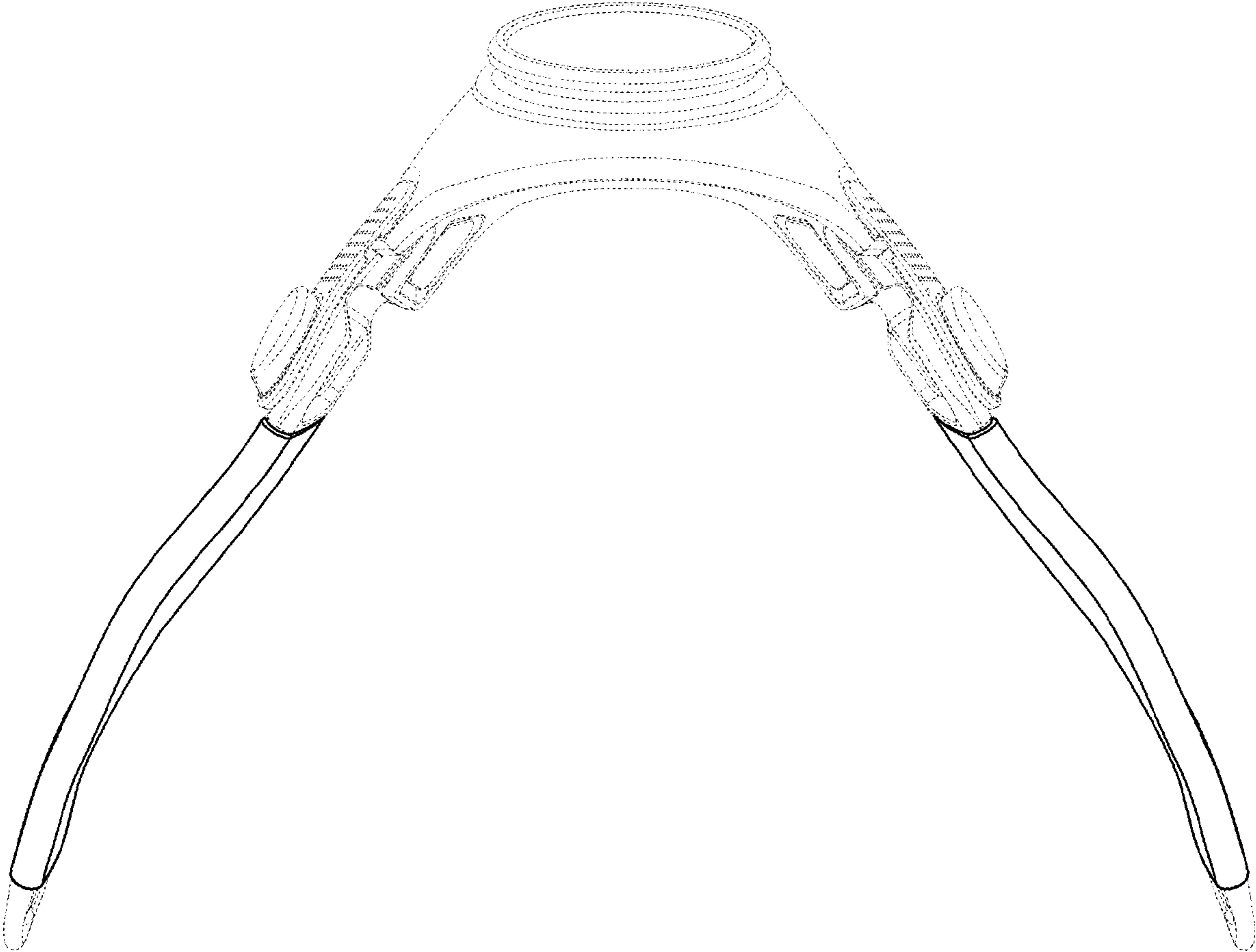


FIG. 16

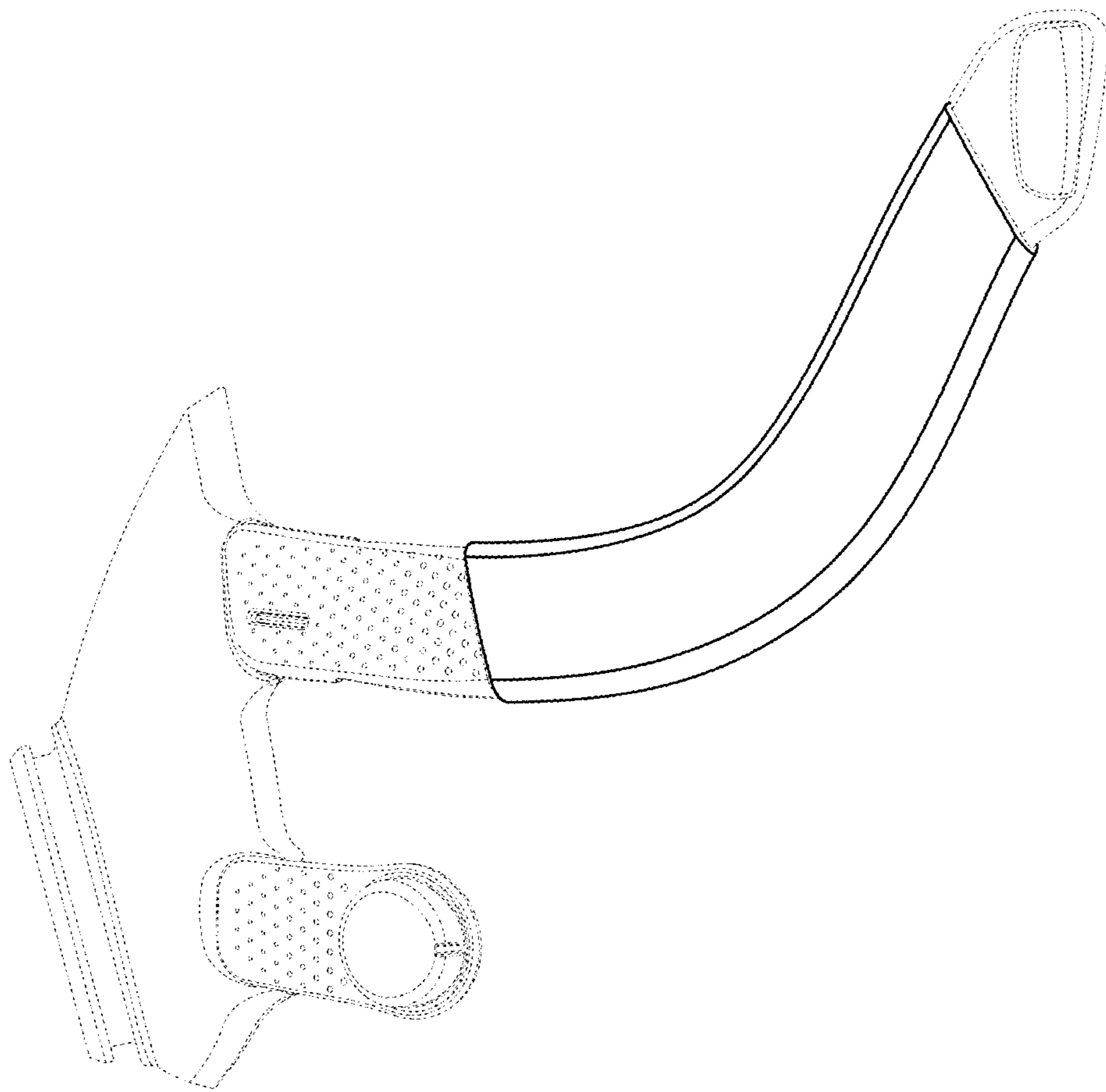


FIG. 17

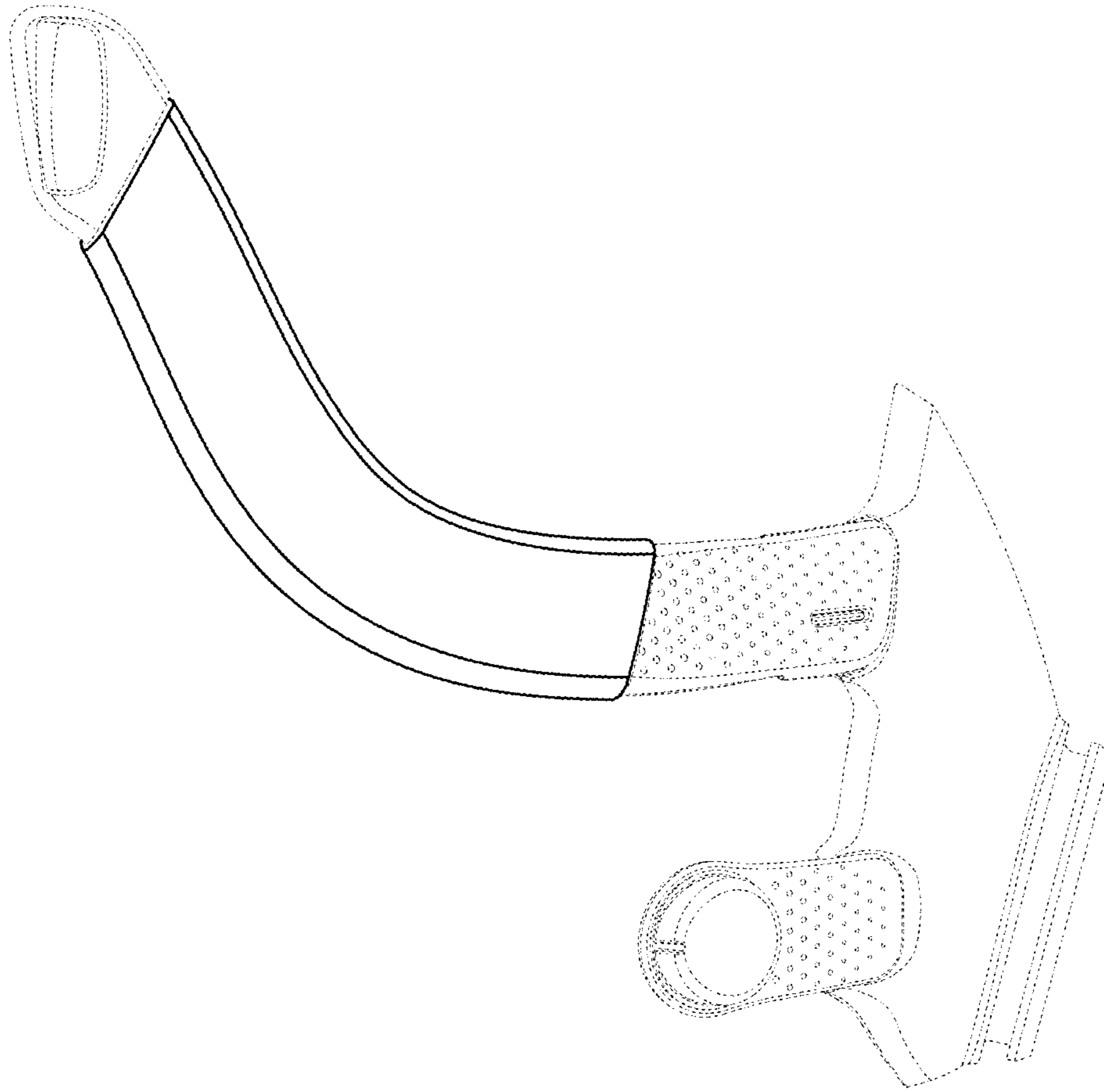


FIG. 18

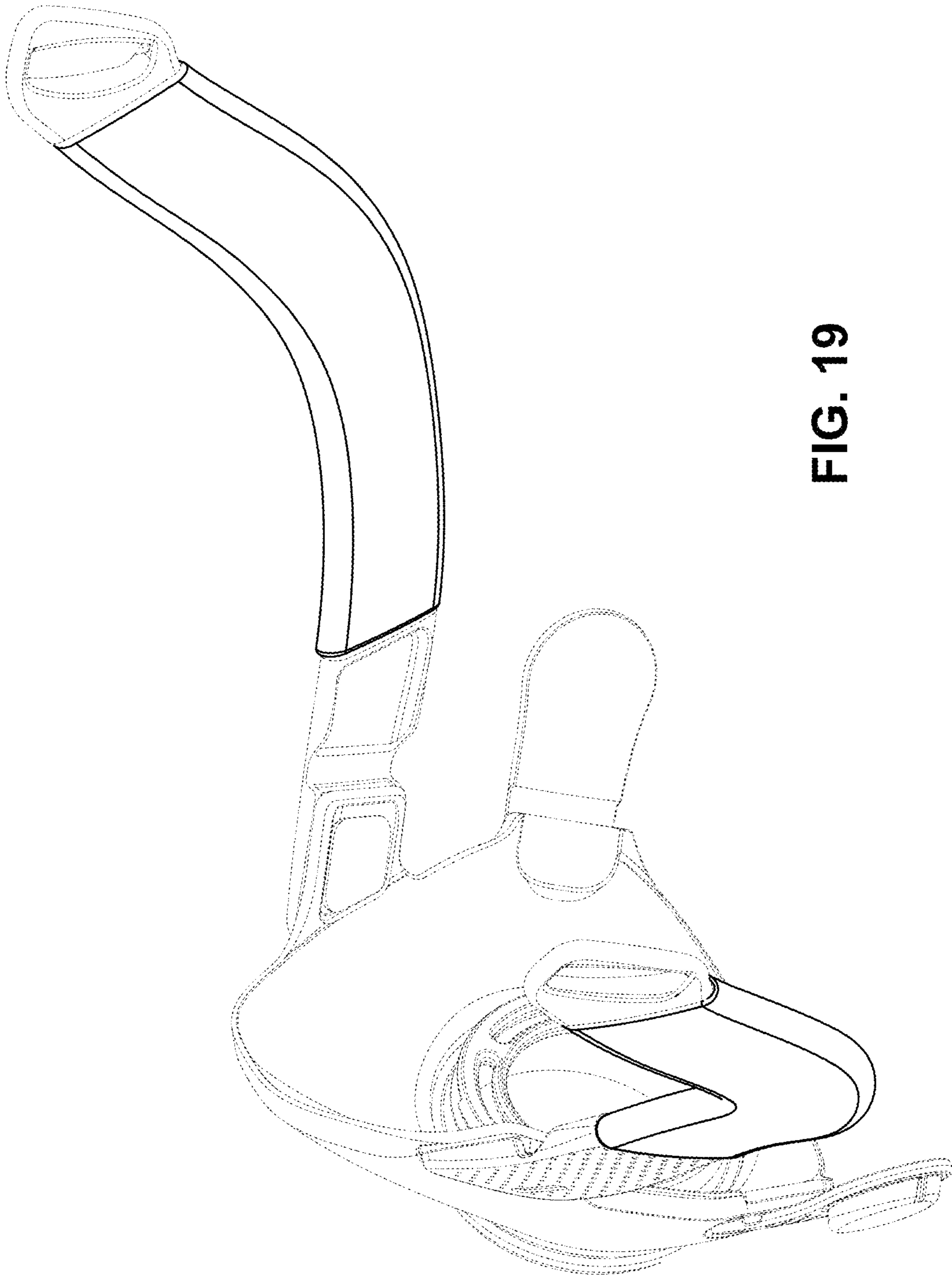


FIG. 19

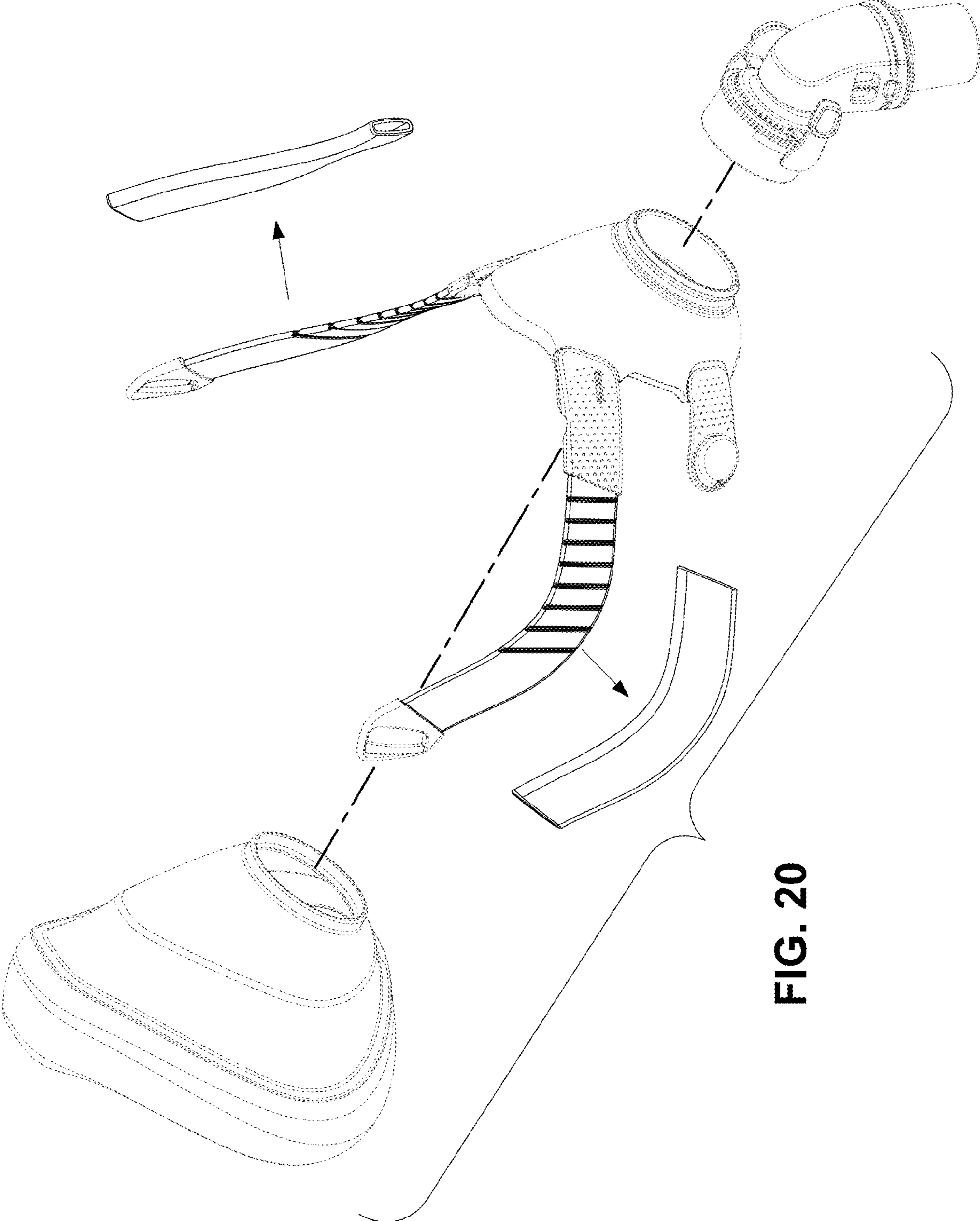


FIG. 20