



US00D960349S

(12) **United States Design Patent**  
**Haynes et al.**

(10) **Patent No.:** **US D960,349 S**  
(45) **Date of Patent:** **\*\* Aug. 9, 2022**

(54) **INHALER**

D480,474 S \* 10/2003 Bowman ..... D24/110  
D509,898 S \* 9/2005 Bunce ..... D24/110  
D515,696 S \* 2/2006 Lucking ..... D24/110

(Continued)

(71) Applicant: **Orion Corporation**, Espoo (FI)

(72) Inventors: **Adam Haynes**, Cambridge (GB); **Mitul Lad**, Leicester (GB); **Alex Hung**, Warwickshire (GB); **David Robinson**, Cambridgeshire (GB)

FOREIGN PATENT DOCUMENTS

EM 000166137-0001 \* 9/2004  
EM 001452460-0001 \* 11/2016

(Continued)

(73) Assignee: **Orion Corporation**, Espoo (FI)

(\*\*) Term: **15 Years**

OTHER PUBLICATIONS

(21) Appl. No.: **29/700,144**

Teva (available [online] Sep. 21, 2020) Retrieved from the internet Jan. 20, 2022 from URL: <https://www.mobihealthnews.com/news/teva-s-two-new-digital-inhalers-complete-digihaler-product-line> (Year: 2020).\*

(22) Filed: **Jul. 31, 2019**

(30) **Foreign Application Priority Data**

Feb. 4, 2019 (GB) ..... 6053738  
Feb. 4, 2019 (GB) ..... 6053739  
Feb. 4, 2019 (GB) ..... 6053740  
Feb. 4, 2019 (GB) ..... 6053741

*Primary Examiner* — Richard Kearney

*Assistant Examiner* — Michael Hoffman

(74) *Attorney, Agent, or Firm* — The Ollila Law Group LLC

(51) **LOC (13) Cl.** ..... **29-02**

(57) **CLAIM**

The ornamental design for an inhaler, as shown and described.

(52) **U.S. Cl.**  
USPC ..... **D24/110**

**DESCRIPTION**

(58) **Field of Classification Search**  
USPC ..... D24/107, 108, 110, 110.5, 127, 164;  
D23/360  
CPC ..... A61M 15/00; A61M 15/0025; A61M 15/0026; A61M 15/005; A61M 15/0065; A61M 15/0071; A61M 15/0091; A61M 11/00; A61M 11/02; A61M 11/04; A61K 9/007; A61K 9/0073; A61K 9/0075; A61K 9/0078; A61K 9/008  
See application file for complete search history.

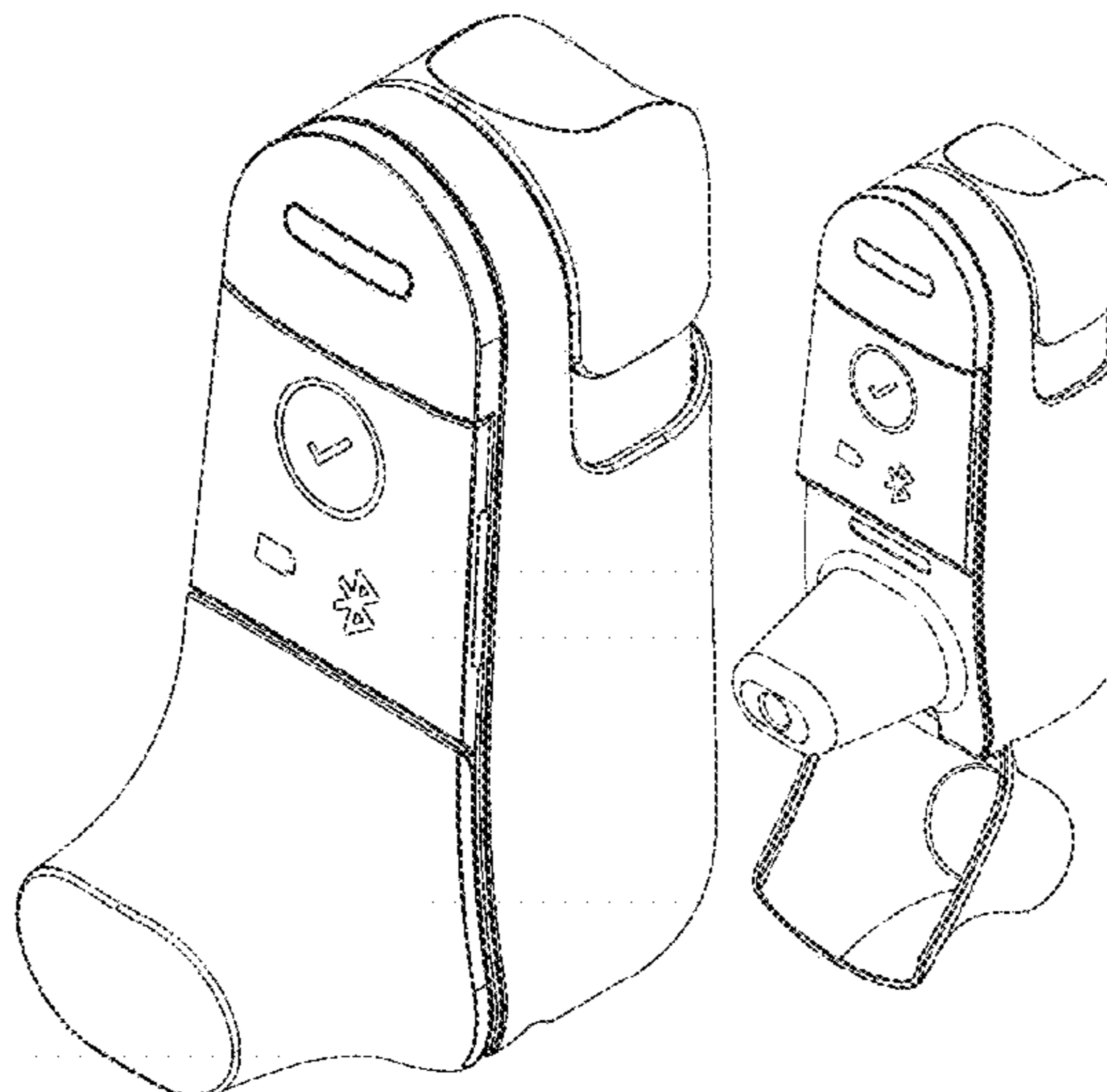
FIG. 1 is a perspective view of an inhaler showing our new design;  
FIG. 2 is perspective view thereof;  
FIG. 3 is a front elevation view thereof;  
FIG. 4 is a rear elevation view thereof;  
FIG. 5 is a right side elevation view thereof;  
FIG. 6 is a left side elevation view thereof;  
FIG. 7 is a top plan view thereof;  
FIG. 8 is a bottom plan view thereof;  
FIG. 9 is a perspective view thereof in an open state;  
FIG. 10 is perspective view thereof in an open state;  
FIG. 11 is a right side elevation view thereof in an open state; and,  
FIG. 12 is a front elevation view thereof in an open state.

(56) **References Cited**

U.S. PATENT DOCUMENTS

D348,929 S \* 7/1994 Paton ..... D24/110  
D473,640 S \* 4/2003 Cuffaro ..... D24/110

**1 Claim, 12 Drawing Sheets**



(56)

**References Cited**

U.S. PATENT DOCUMENTS

D582,544	S	*	12/2008	Meziere .....	D24/110
D598,536	S	*	8/2009	Parkes .....	D24/110
D716,936	S	*	11/2014	Jensen .....	D24/110
D769,436	S	*	10/2016	Walsh .....	D24/110
D783,806	S	*	4/2017	Milton-Edwards .....	D24/110
D808,515	S		1/2018	Atkin et al.	
D832,997	S		11/2018	Dethlefs et al.	
D834,704	S		11/2018	Atkin et al.	
D840,020	S	*	2/2019	Howgill .....	D24/110
D853,555	S	*	7/2019	Oliveras .....	D24/110
D871,567	S	*	12/2019	Pieters .....	D24/110
D877,322	S	*	3/2020	Jackson .....	D24/110
D946,138	S	*	3/2022	Markey .....	D24/110
D949,323	S	*	4/2022	Dalvi .....	D24/110
2016/0303336	A1	*	10/2016	Arp .....	A61K 31/167
2017/0004395	A1	*	1/2017	Smith .....	G06M 1/22
2018/0140788	A1	*	5/2018	Calderon Oliveras .....	
					A61M 15/0025
2022/0062568	A1	*	3/2022	Calderon Oliveras .....	
					G16H 40/63

FOREIGN PATENT DOCUMENTS

EM	004074649-001		8/2017
JP	D1669003	*	9/2020
KR	300697292.0000	*	6/2016
KR	3006972920000		6/2016
RU	00092434	*	4/2015
TW	D174566		3/2016

\* cited by examiner

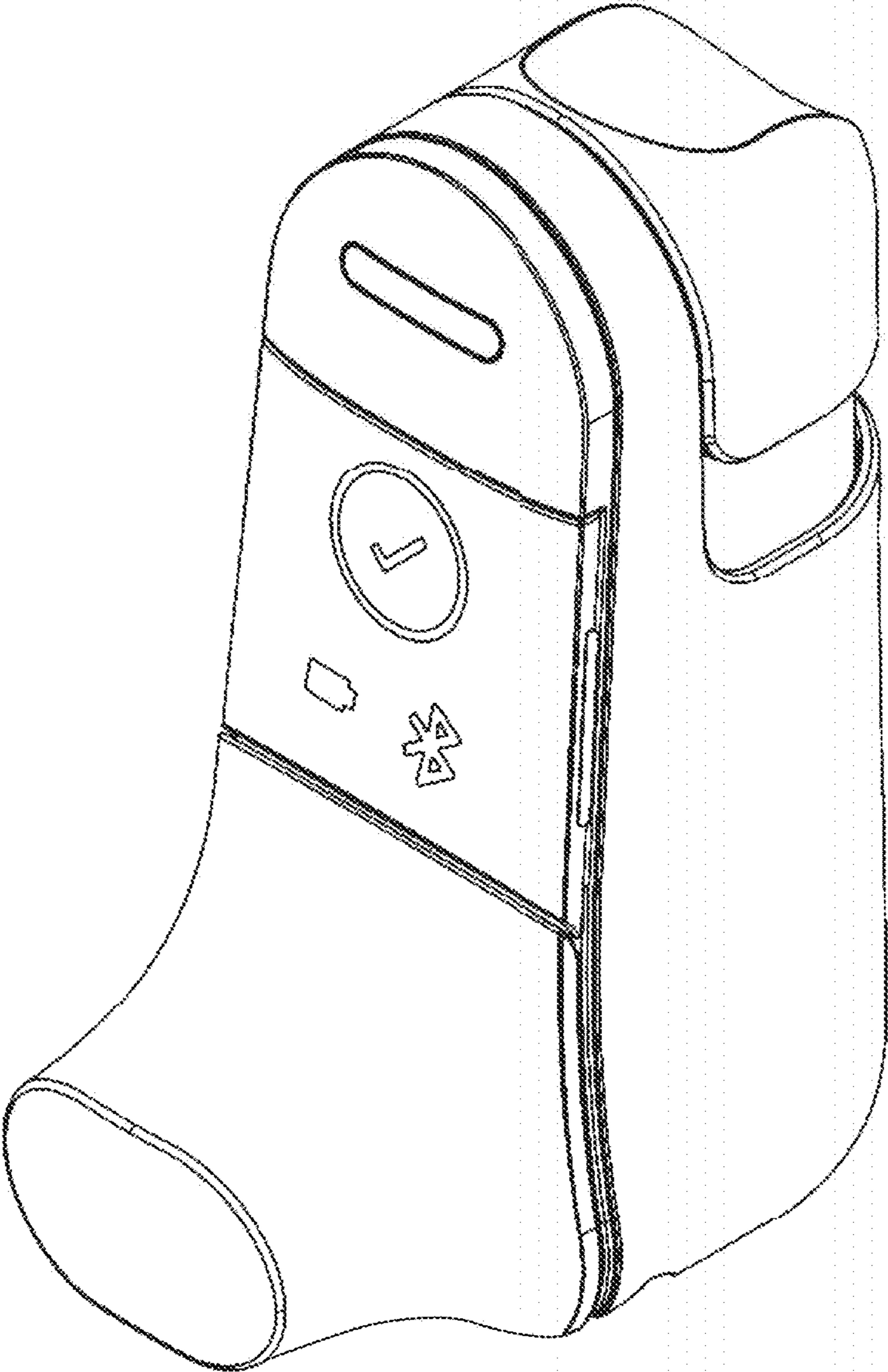


FIG. 1

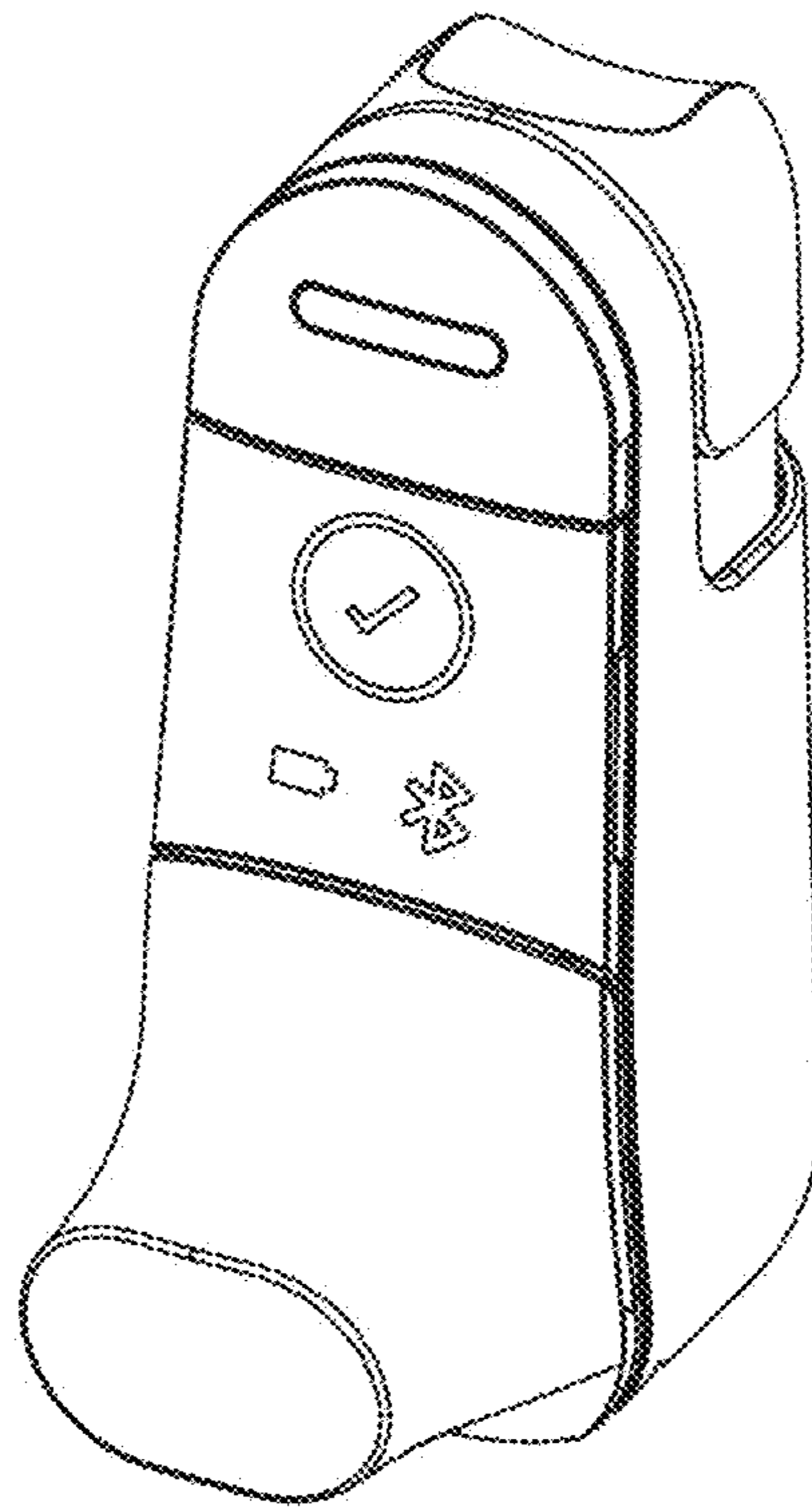


FIG. 2

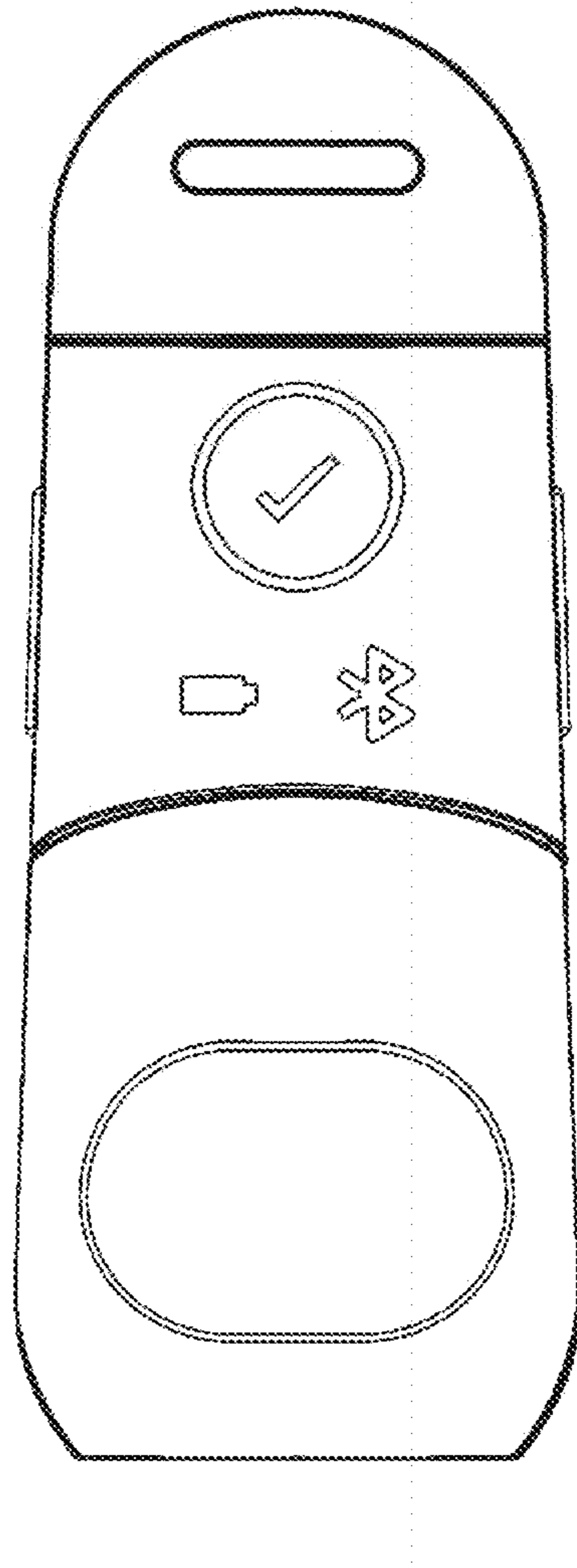


FIG. 3

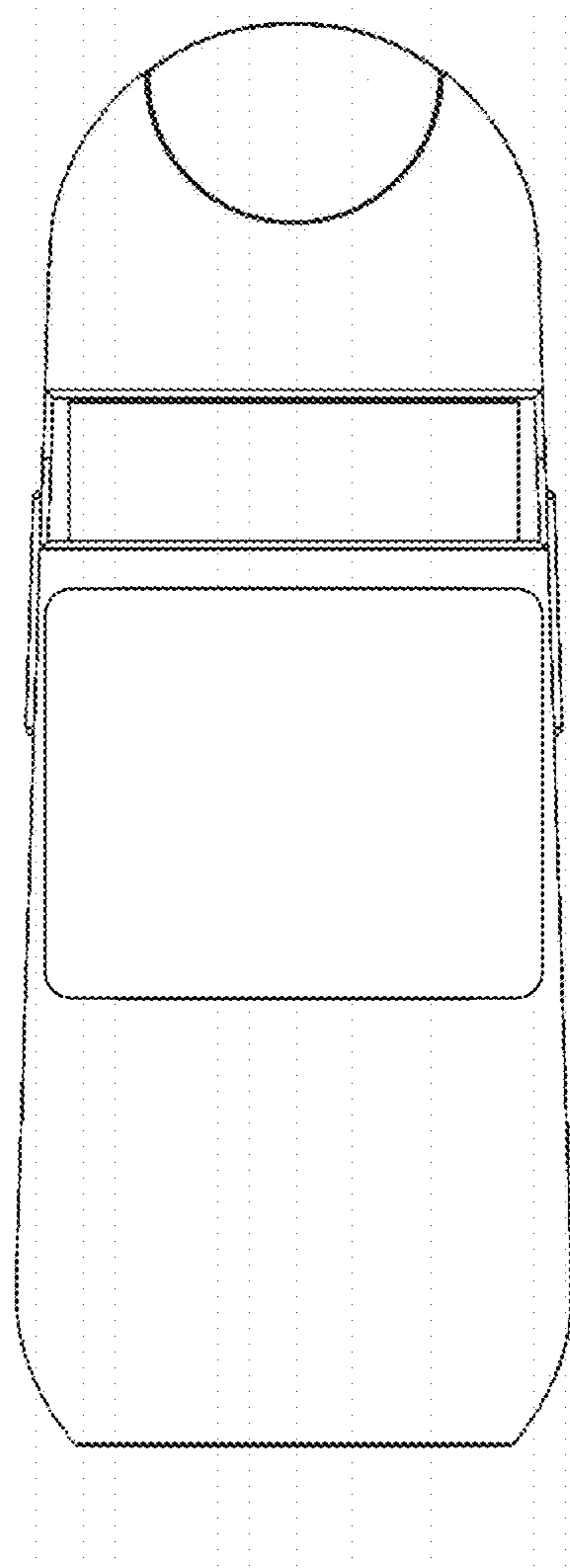


FIG. 4

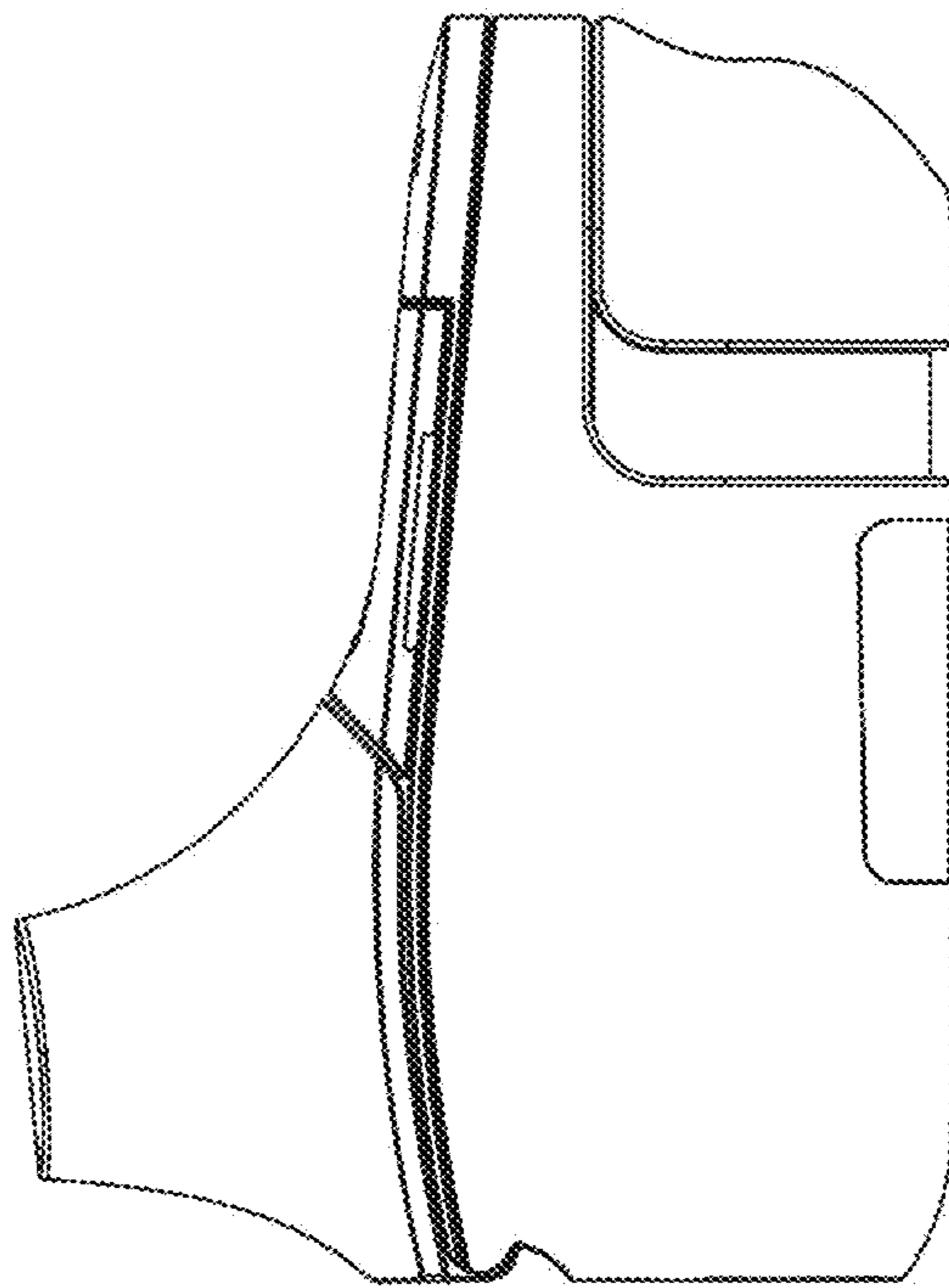


FIG. 5

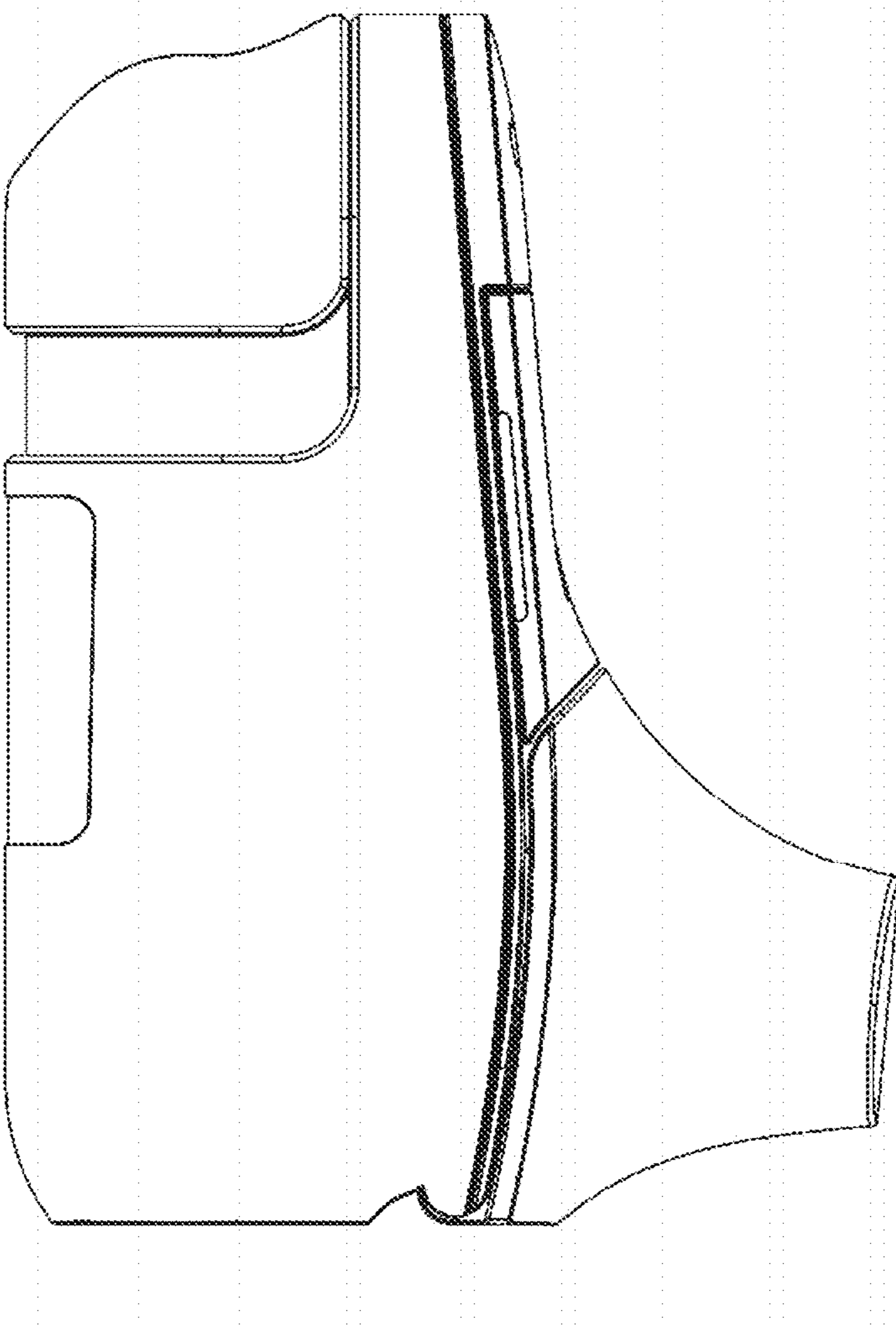


FIG. 6



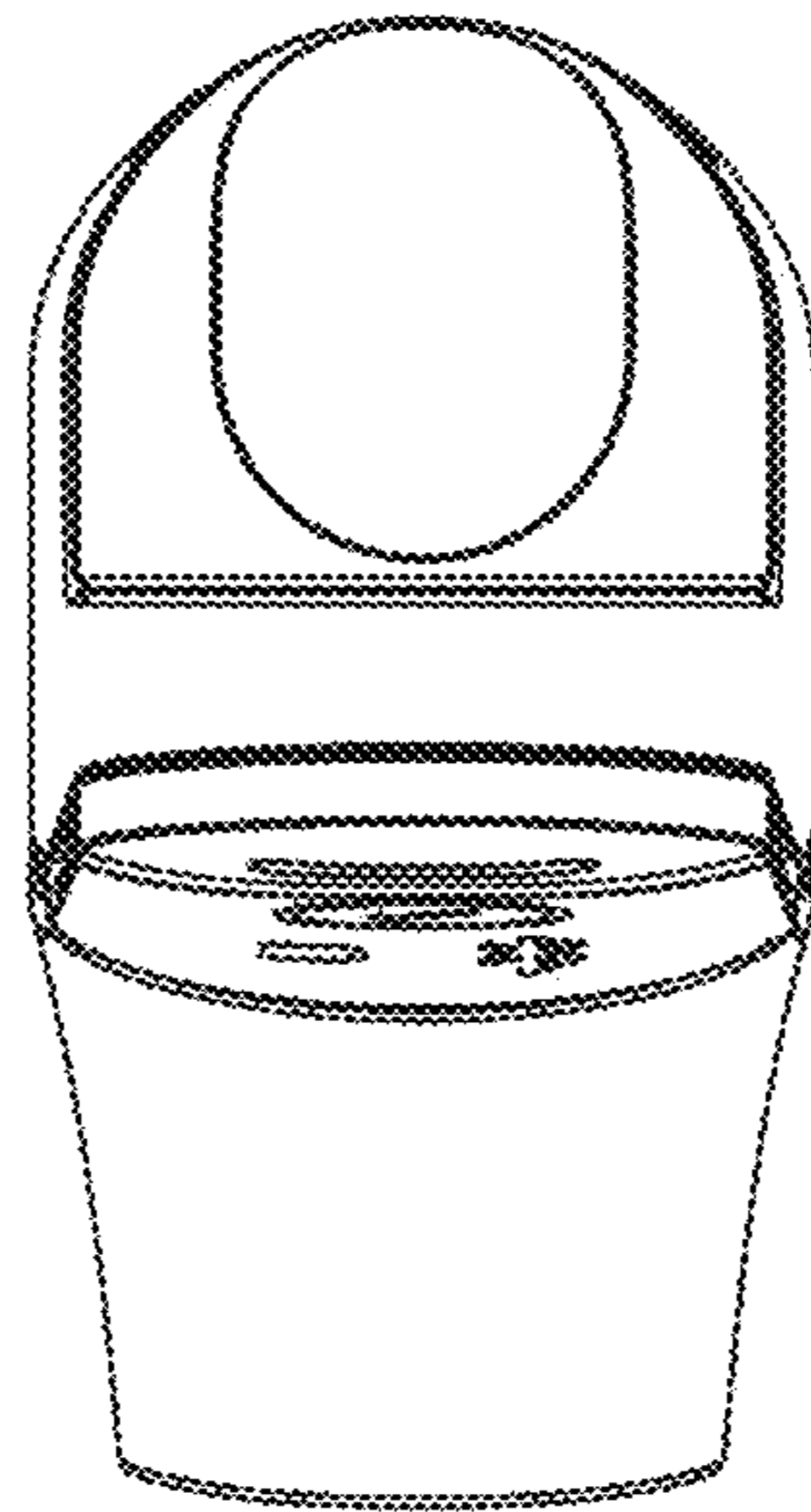


FIG. 7

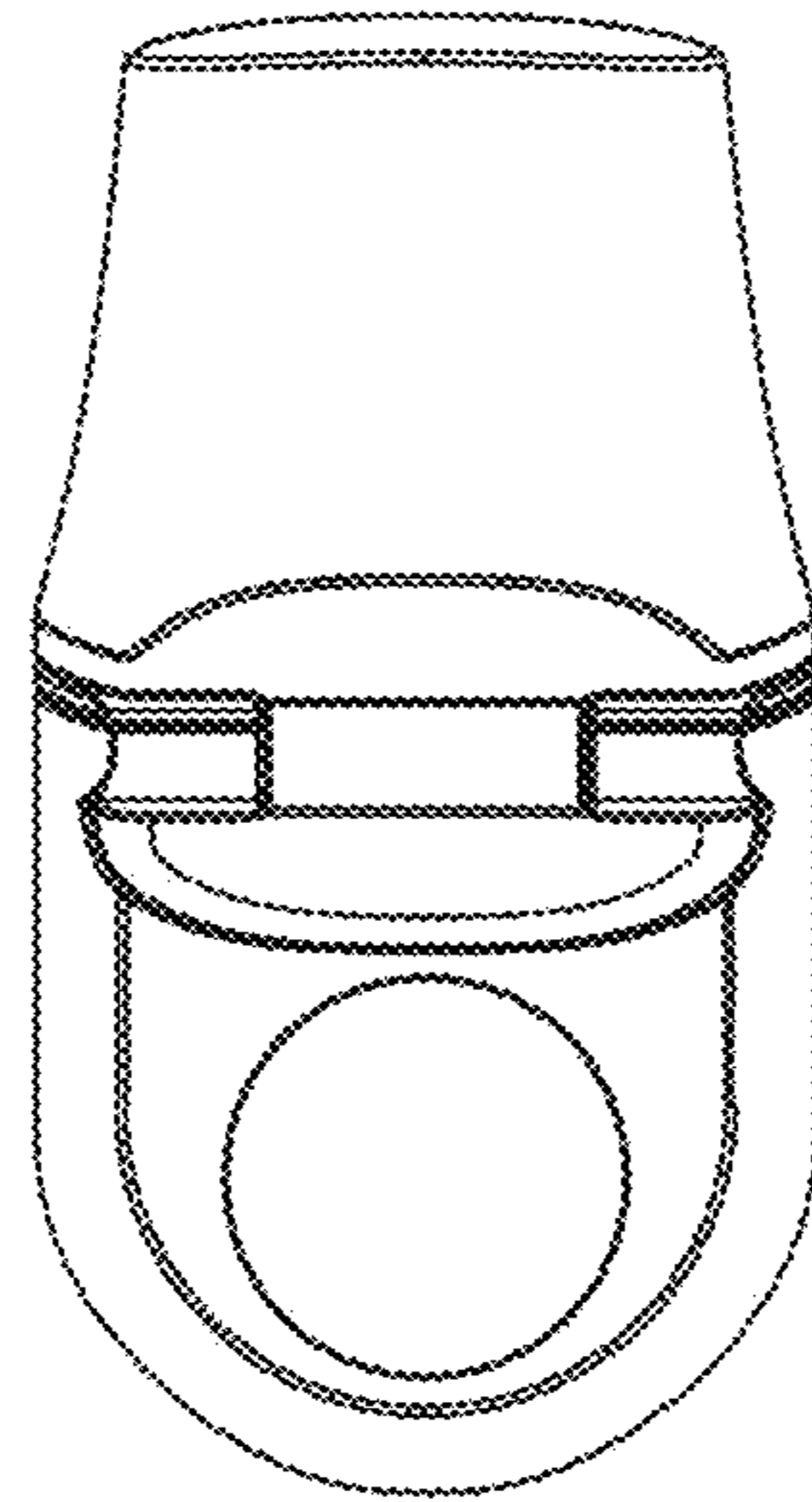


FIG. 8

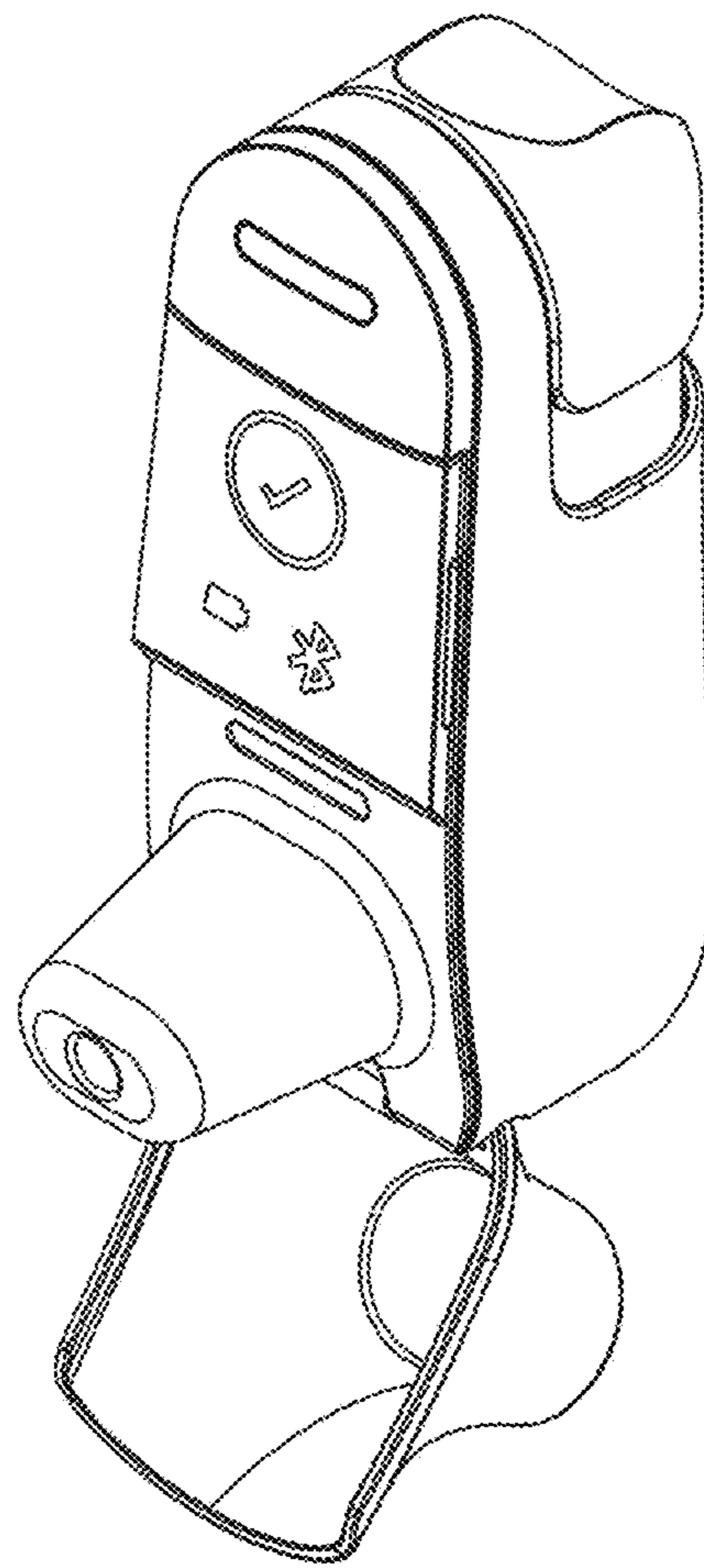


FIG. 9

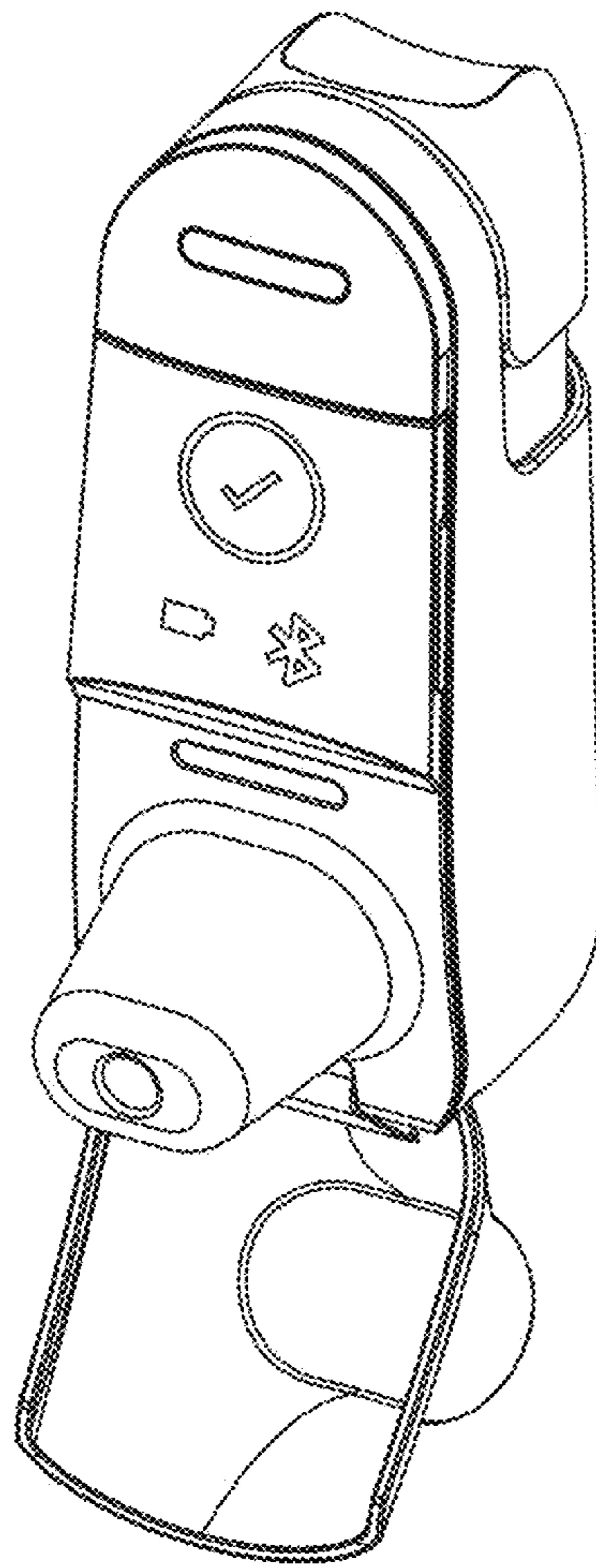


FIG. 10

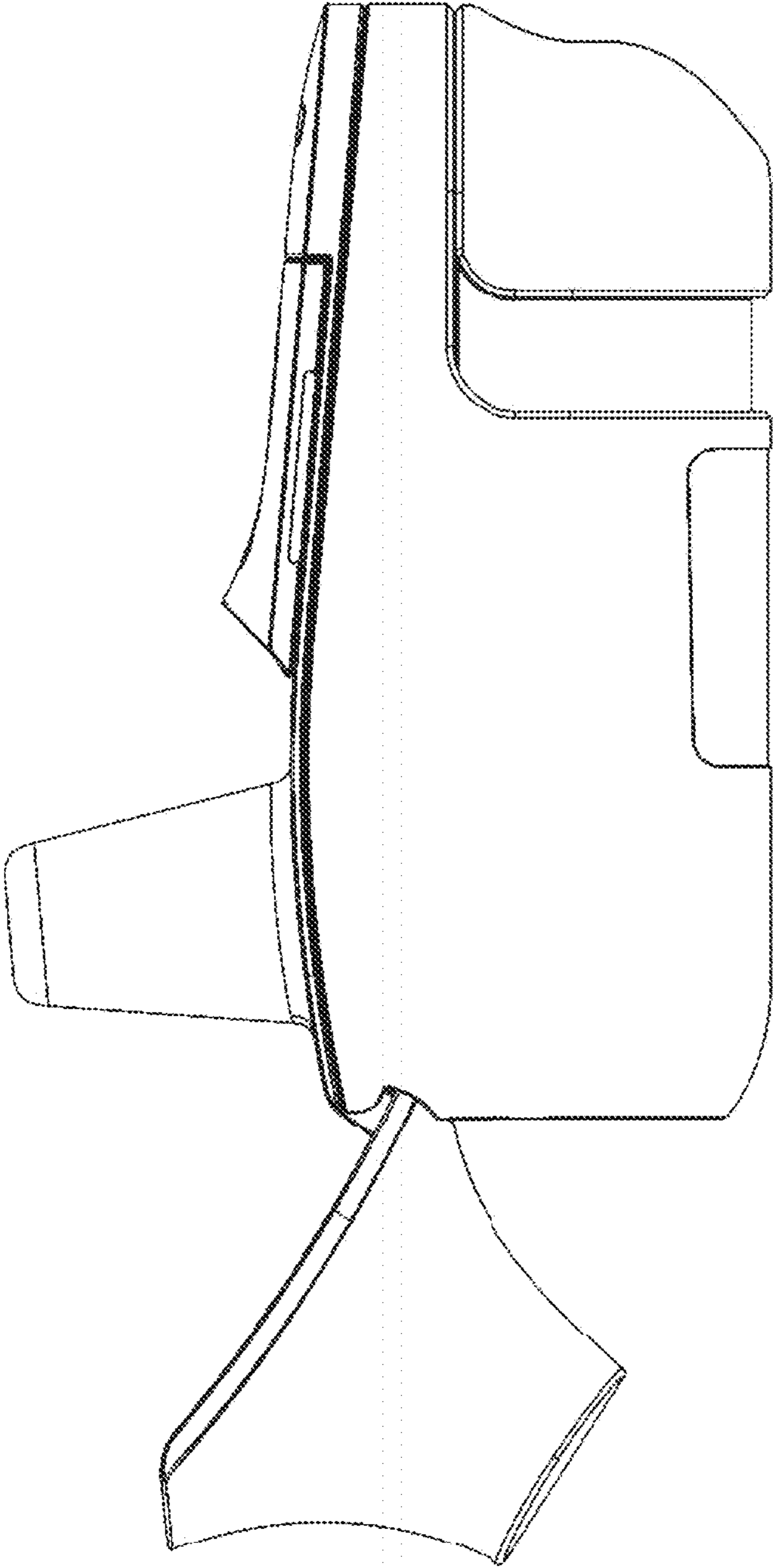


FIG. 11

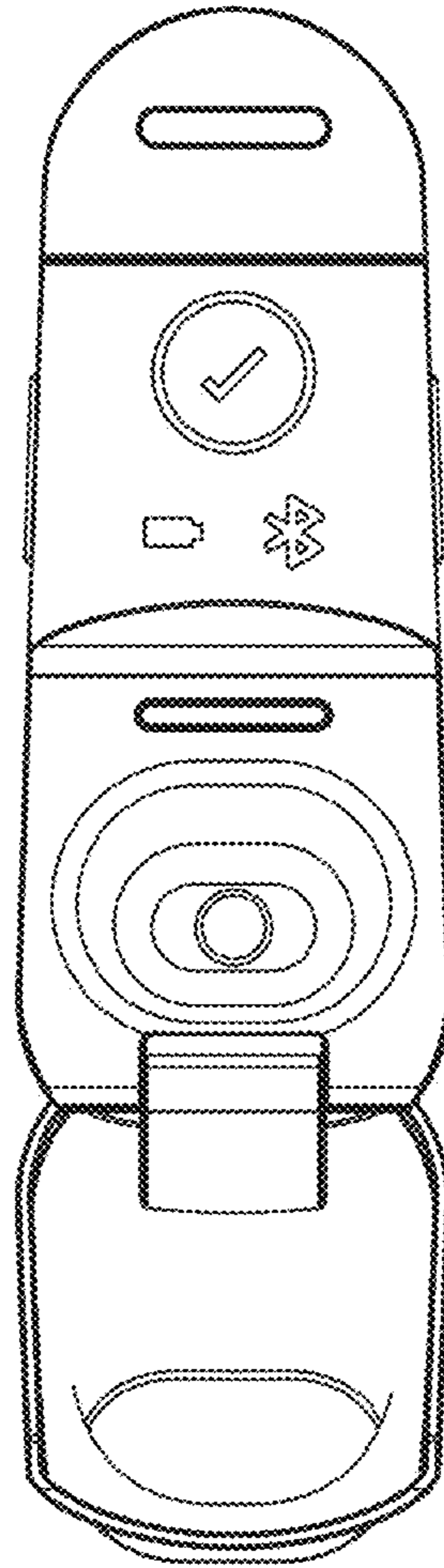


FIG. 12