

US00D960348S

(12) **United States Design Patent** (10) **Patent No.:** **US D960,348 S**
Stoltzfus et al. (45) **Date of Patent:** **** Aug. 9, 2022**

(54) **FIRE PIT CONVERSION RING**

(71) Applicant: **Breeo, LLC**, Kinzers, PA (US)

(72) Inventors: **Amos A. Stoltzfus**, Gordonville, PA (US); **Jonathan C. Miller**, New Providence, PA (US); **Omar G. Stoltzfus**, New Holland, PA (US)

(73) Assignee: **Breeo, LLC**, Kinzers, PA (US)

(**) Term: **15 Years**

(21) Appl. No.: **29/781,771**

(22) Filed: **Apr. 30, 2021**

(51) **LOC (13) Cl.** **07-08**

(52) **U.S. Cl.**
USPC **D23/403**

(58) **Field of Classification Search**
USPC D23/318, 322, 343, 347, 348, 354, 355, D23/370, 371, 373, 381, 382, 385, 386, D23/387, 388, 389, 390, 392, 393, 415; D7/332, 337, 408, 409
CPC F24F 7/02; F24F 13/00; F24F 13/02; F24F 13/0209; F24F 13/06; F24F 13/0604; F24F 13/10; F24F 13/12; F24F 13/14; F24F 13/15; F24F 13/16; F24F 13/18; F24F 13/20; F24B 1/191; F24B 3/00
See application file for complete search history.

(56) **References Cited**

U.S. PATENT DOCUMENTS

821,933 A *	5/1906	Elliott	F24B 1/191
				126/319
980,919 A *	1/1911	Buckley	F24B 1/191
				126/319
D253,931 S	1/1980	DeVischer et al.		
D262,427 S	12/1981	Boston et al.		
D286,002 S	10/1986	Brix		

(Continued)

OTHER PUBLICATIONS

How to Install Your Breeo Insert Ring, Mar. 23, 2021, YouTube, site visited Nov. 15, 2021: <https://www.youtube.com/watch?v=dKXX6-siRR0> (Year: 2021).*

(Continued)

Primary Examiner — Jack Reickel

Assistant Examiner — Bobby W Jones, II

(74) *Attorney, Agent, or Firm* — Fred Zollinger

(57) **CLAIM**

The ornamental design for a fire pit conversion ring, as shown and described.

DESCRIPTION

FIG. 1 is an upper perspective view of a first embodiment of the fire pit conversion ring showing our new design.

FIG. 2 is a front elevation view thereof; the rear and side elevation views being the same.

FIG. 3 is a top plan view thereof.

FIG. 4 is a bottom plan view thereof.

FIG. 5 is an enlarged top plan view of the encircled portion of FIG. 3.

FIG. 6 is a bottom perspective view of FIG. 5.

FIG. 7 is an upper perspective view of a second embodiment of the fire pit conversion ring showing our new design.

FIG. 8 is a front elevation view thereof; the rear and side elevation views being the same.

FIG. 9 is a top plan view thereof.

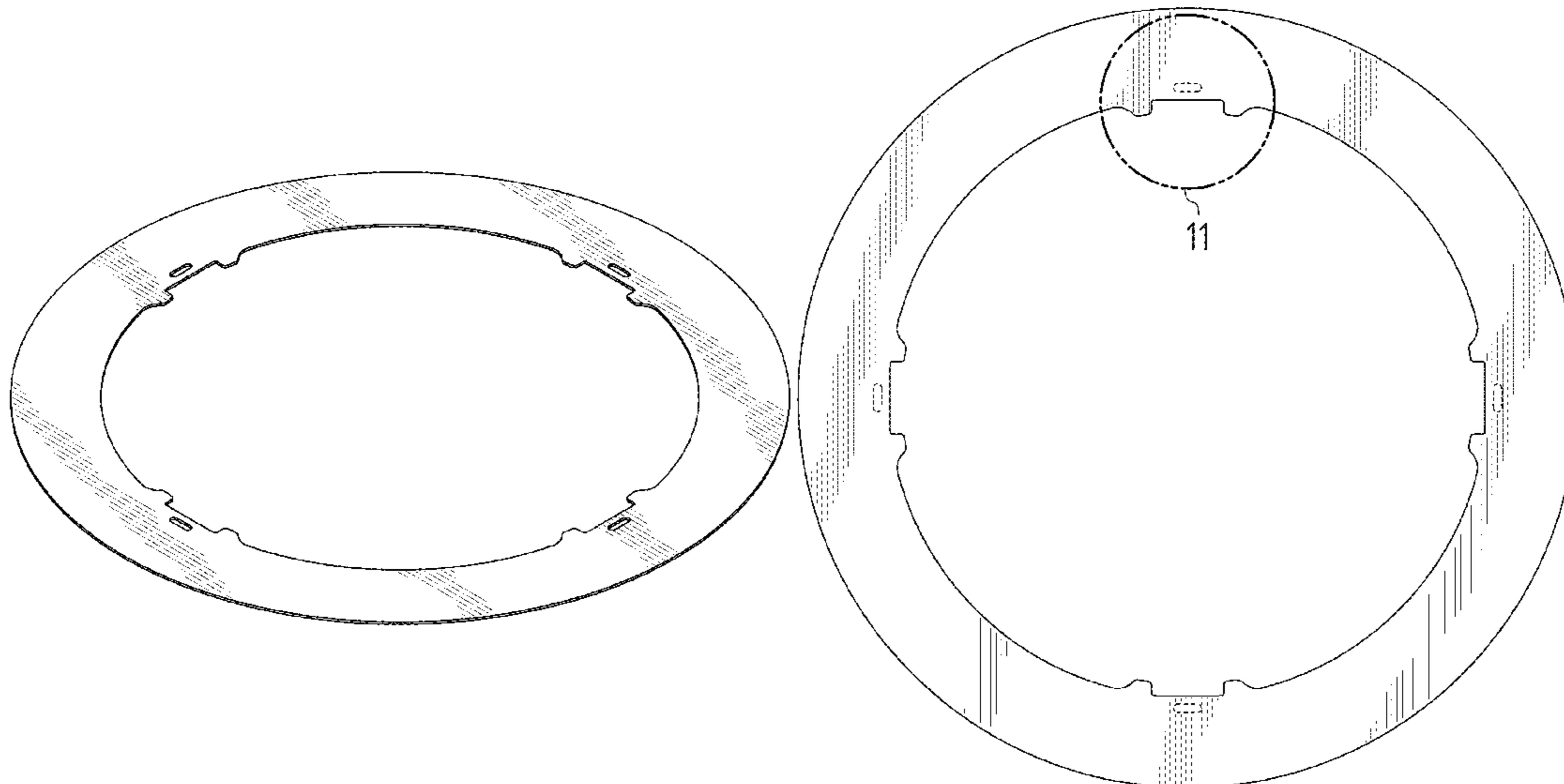
FIG. 10 is a bottom plan view thereof.

FIG. 11 is an enlarged top plan view of the encircled portion of FIG. 9; and,

FIG. 12 is a bottom perspective view of FIG. 11.

The dashed lines shown in the drawings are for purposes of illustrating portions of the article that form no part of the claimed design. The dash dot dot lines of FIGS. 3, 5, 6, 9, 11, and 12 are boundary lines that form no part of the claimed design.

1 Claim, 12 Drawing Sheets



(56)

References Cited

U.S. PATENT DOCUMENTS

D361,467 S 8/1995 Kabayama
 D374,072 S * 9/1996 Coble D23/329
 D389,009 S 1/1998 Baykal
 D432,356 S * 10/2000 Hoff D7/402
 6,289,795 B1 9/2001 McLemore et al.
 D449,490 S 10/2001 Frederick
 D466,597 S * 12/2002 Carr F24F 13/00
 D23/329
 D486,356 S * 2/2004 Hoff D7/409
 D542,091 S * 5/2007 Hoff D7/409
 D545,124 S * 6/2007 Hawkins D7/409
 D590,201 S 4/2009 Zagar
 D602,148 S 10/2009 DeFouw et al.
 D679,791 S 4/2013 Lowsky
 8,991,382 B1 * 3/2015 Mau F24B 3/00
 126/9 R
 D734,436 S * 7/2015 Raether D23/259
 D734,975 S 7/2015 Troyer, Jr.
 D742,490 S 11/2015 Jepson
 D774,172 S 12/2016 Zemel et al.
 D777,307 S 1/2017 Rocha
 10,222,092 B1 * 3/2019 Traeger F24B 3/00
 D858,729 S 9/2019 Scott
 D868,230 S 11/2019 Nitschmann
 10,888,195 B1 1/2021 Norris et al.
 D914,172 S 3/2021 Stoltzfus
 D927,659 S * 8/2021 Stoltzfus D23/332
 2006/0236996 A1 10/2006 Mosher, II et al.
 2011/0073098 A1 * 3/2011 Chang F24B 15/005
 126/25 B
 2012/0087128 A1 * 4/2012 Zakula F24F 13/00
 362/249.02
 2013/0306184 A1 * 11/2013 Prischak F16L 21/06
 138/119
 2015/0285507 A1 10/2015 Troyer, Jr.

2016/0166109 A1 * 6/2016 Banal A47B 13/081
 108/50.13
 2019/0159630 A1 5/2019 Salum
 2019/0277520 A1 * 9/2019 Zakula F21V 33/0088
 2020/0096199 A1 * 3/2020 Harrington F24B 1/1915
 2021/0018180 A1 * 1/2021 Jan F24C 15/36
 2021/0045578 A1 2/2021 Stoltzfus
 2021/0048188 A1 * 2/2021 Harrington F23B 20/00
 2021/0156565 A1 * 5/2021 Skillman A47J 37/0763
 2021/0404663 A1 12/2021 Strange

OTHER PUBLICATIONS

ARTEFLAME Replacement BBQ Grill Griddle Grate, Aug. 9, 2018, Amazon, site visited Nov. 15, 2021: <https://www.amazon.com/dp/B06XSB48CH/> (Year: 2018).*

OFYR Grill Review, Apr. 4, 2019, YouTube, site visited Nov. 15, 2021: <https://www.youtube.com/watch?v=81gvBCOKI6M> (Year: 2019).*

Breeo, How to Install Your Breeo Insert Ring, Youtube, Mar. 23, 2021, accessed Apr. 15, 2021, from <https://www.youtube.com/watch?v=dKXx6-siRR0&t=6s>.

Breeo, Zentro Fire Pit Insert, Smoke-Reducing, Heavy Duty, and American Made. 24" Zentro Fire Pit.

Breeo, X19 Smokeless Fire Pit Insert Bundle, screenshot from <https://breeo.co/collections/x-series/products/x-series-19-insert-ring-fire-pit>, accessed Apr. 15, 2021.

Breeo, Zentro Fire Pit Insert, Smoke-reducing, Heavy-Duty, and American Made Zentro Fire Pit. Printed from Amazon.com on Apr. 15, 2021.

Breeo LLC Instagram publication X Series Insert Ring, Feb. 24, 2021, <https://www.instagram.com/p/CLr3sSFgDdb/>.

Breeo LLC, publication Mar. 3, 2021 from www.Breeo.co titled X24 Smokeless Fire Pit Insert Bundle, printed Feb. 25, 2022.

* cited by examiner

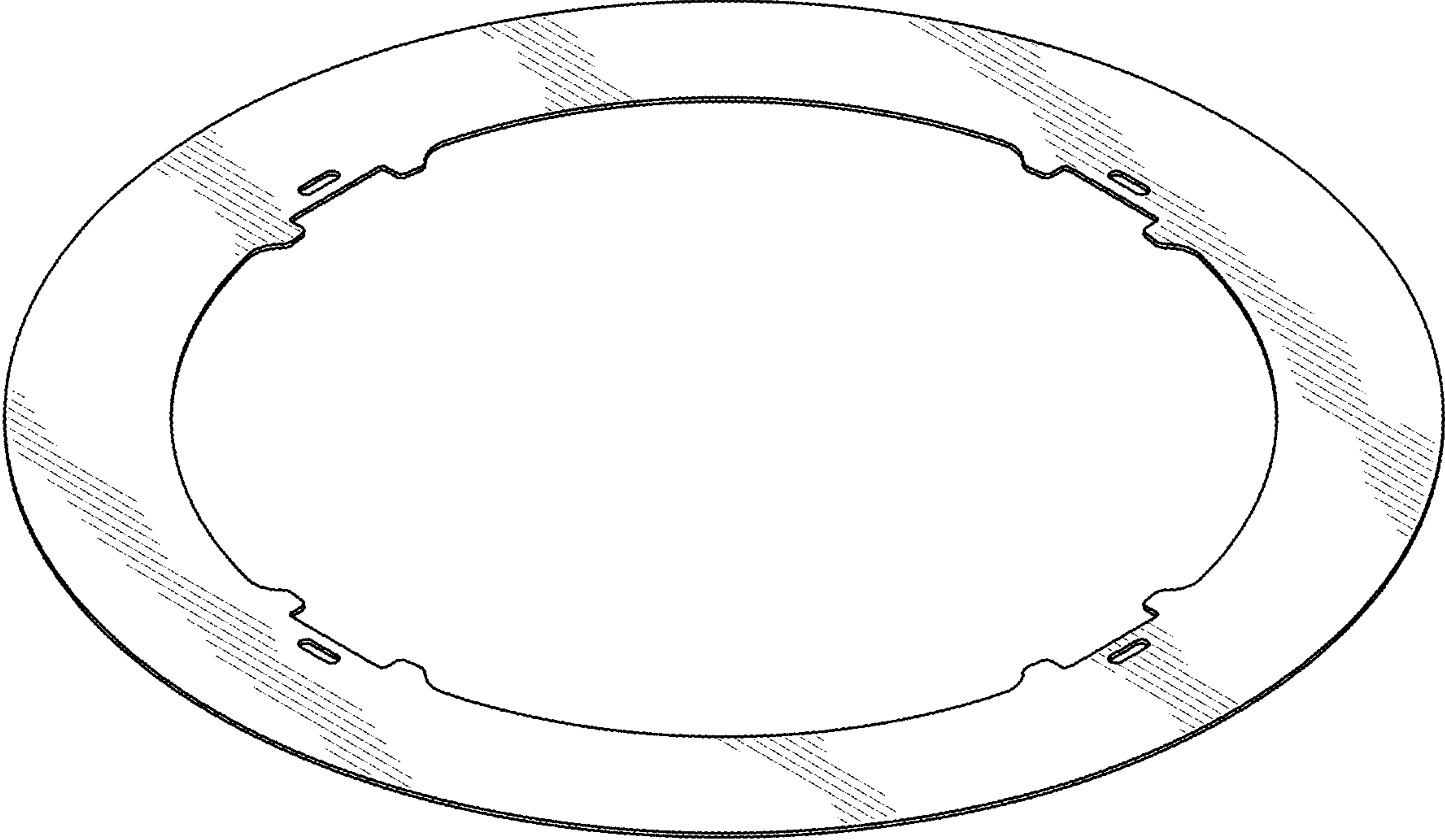


FIG. 1



FIG. 2

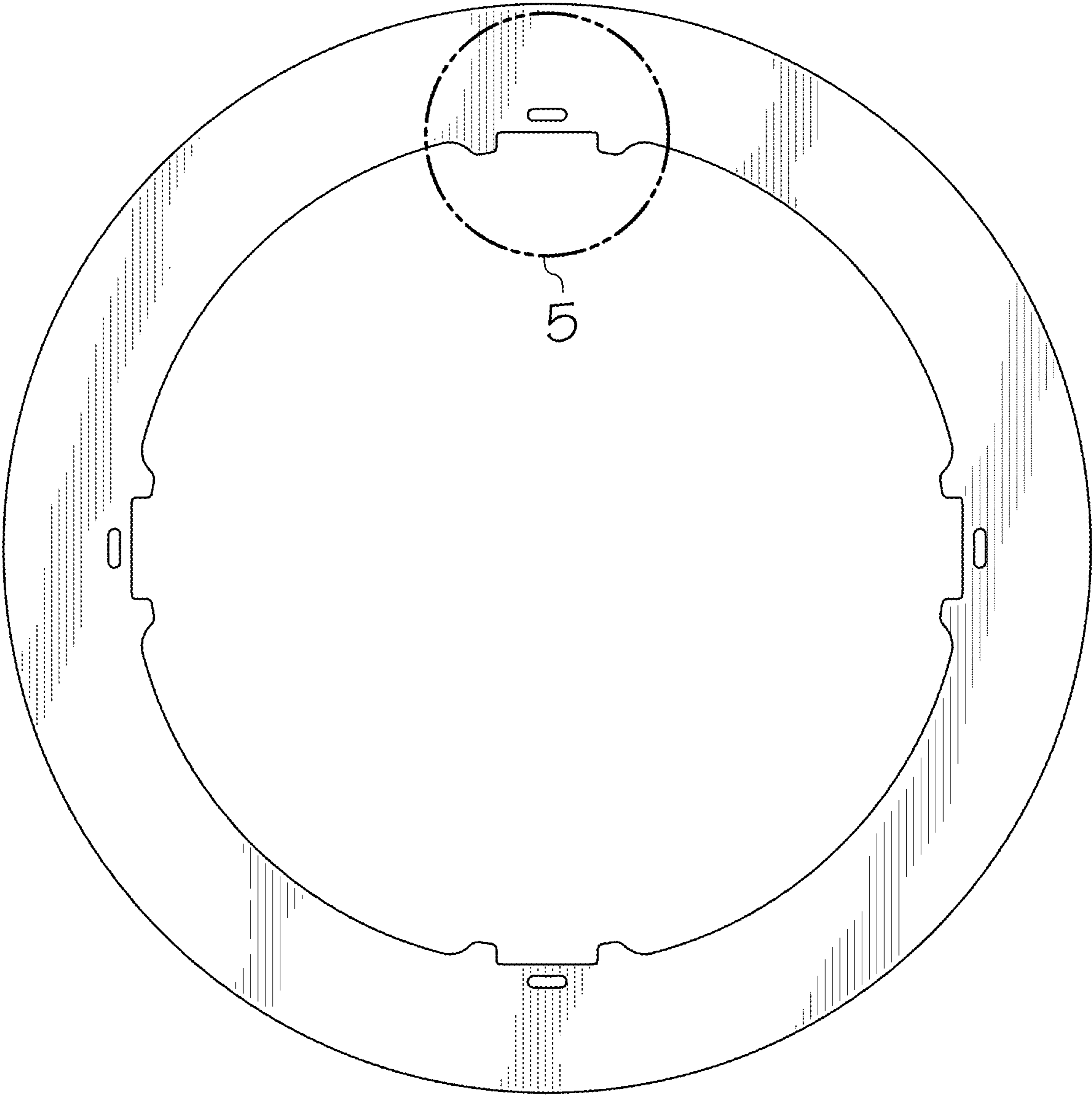


FIG. 3

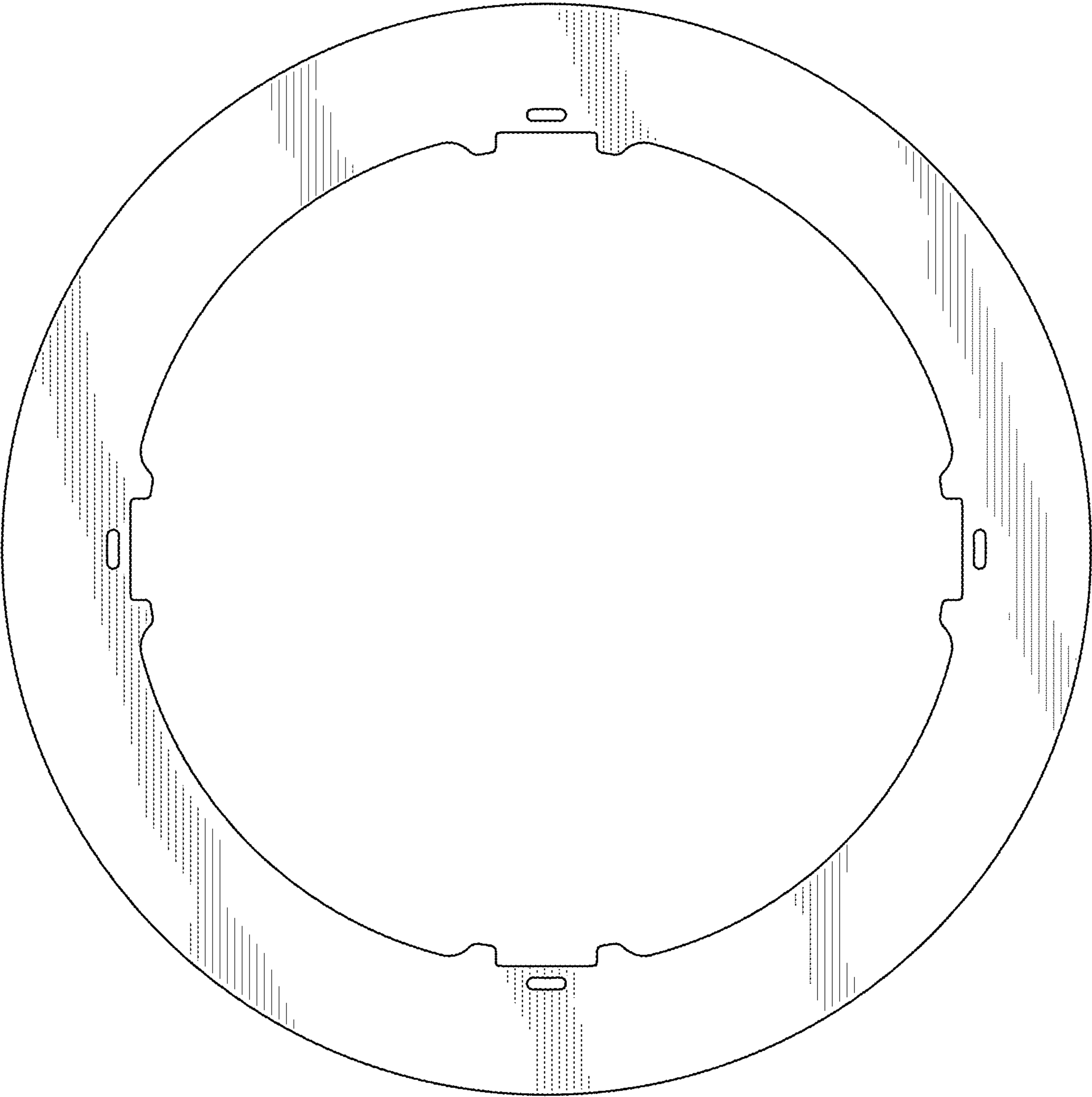


FIG. 4

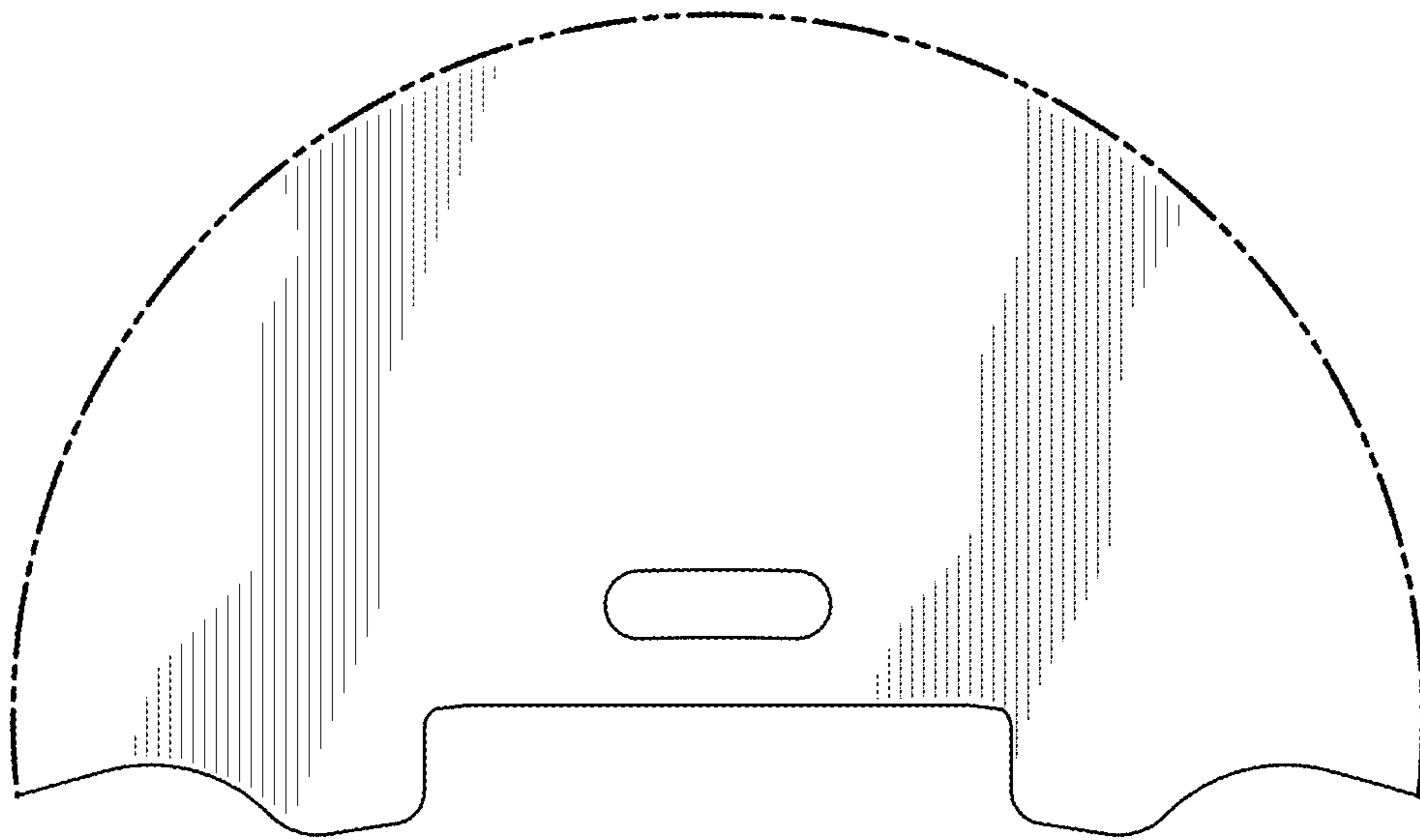


FIG. 5

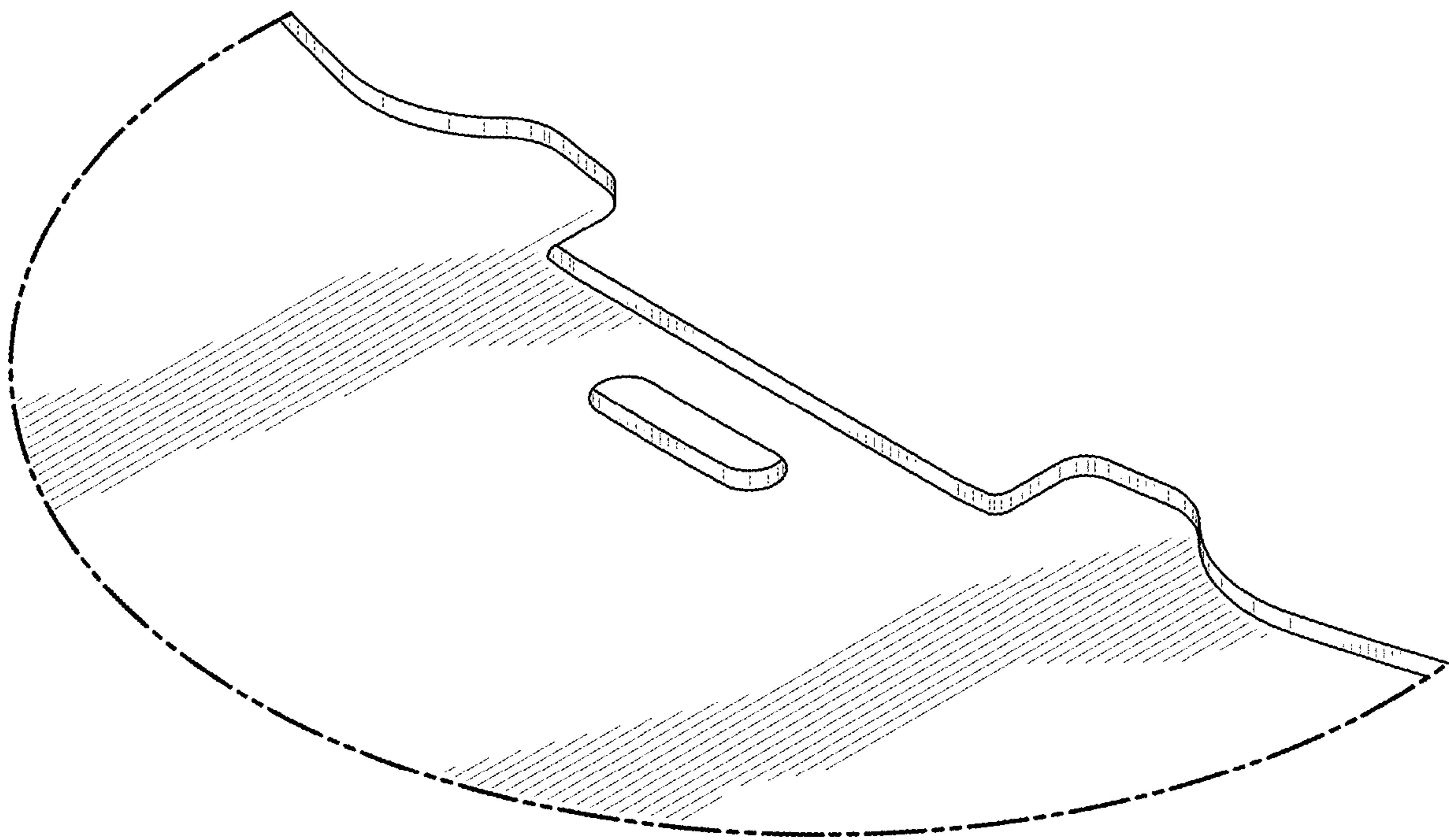


FIG. 6

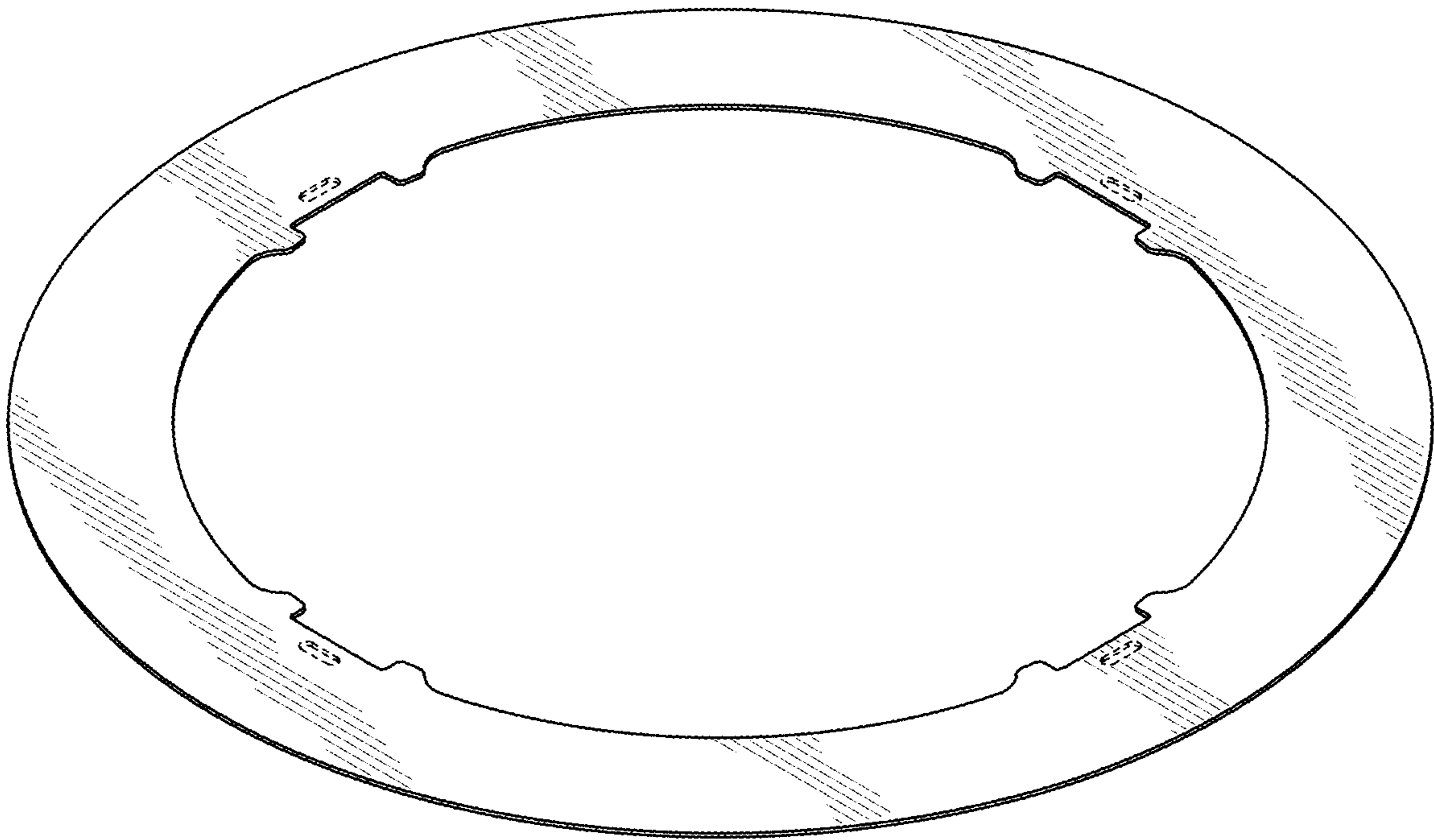


FIG. 7



FIG. 8

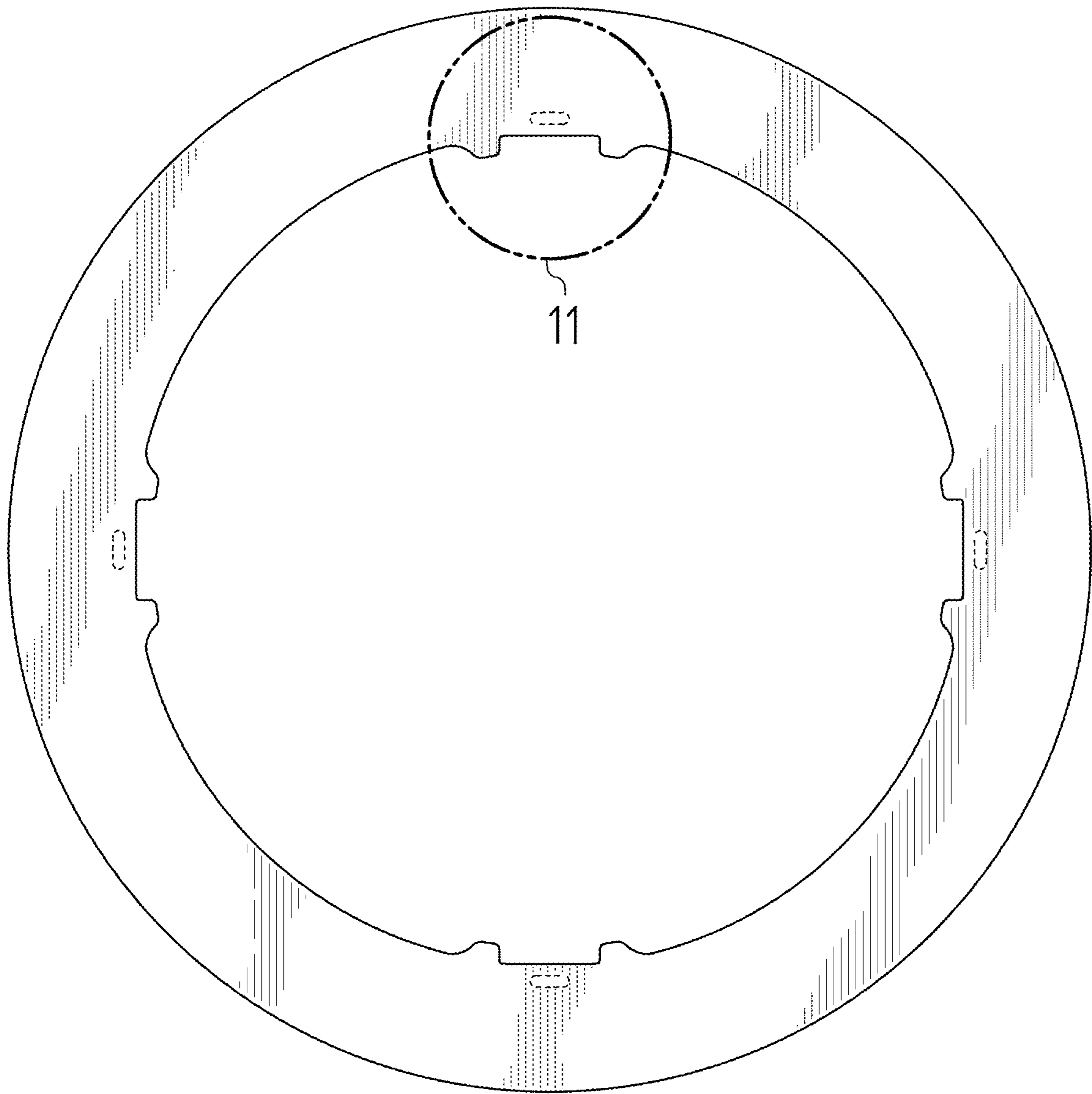


FIG. 9

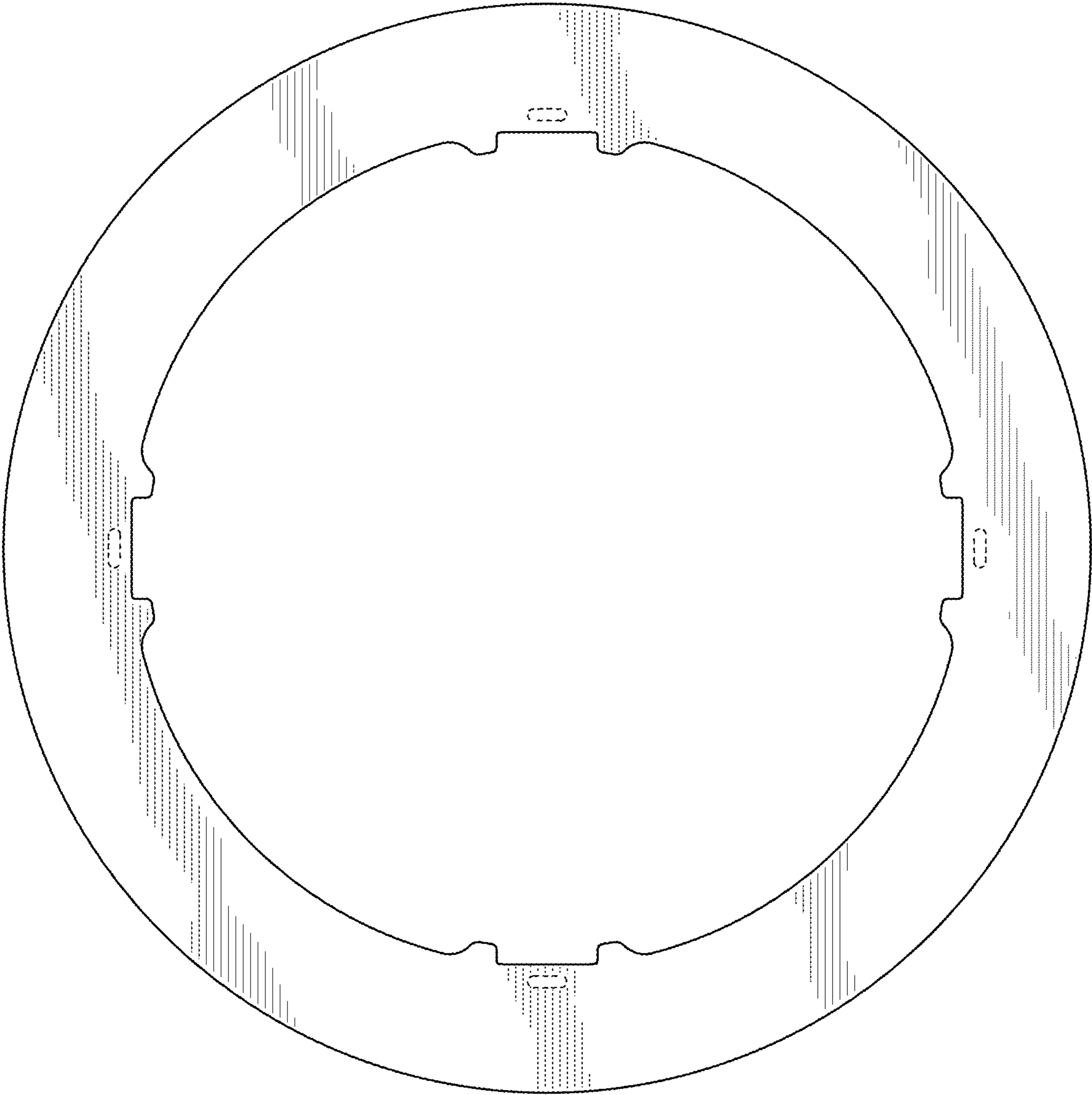


FIG. 10

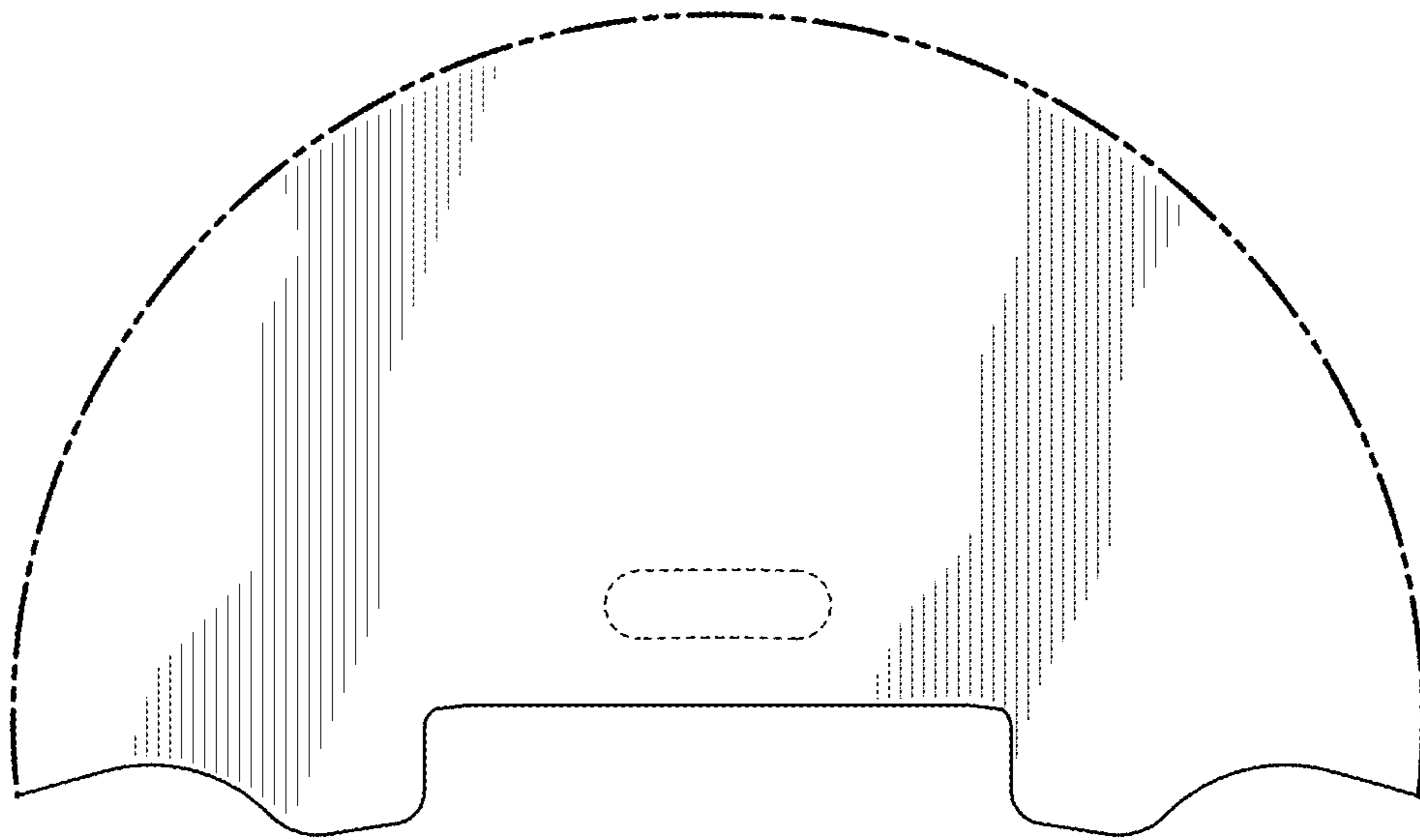


FIG. 11

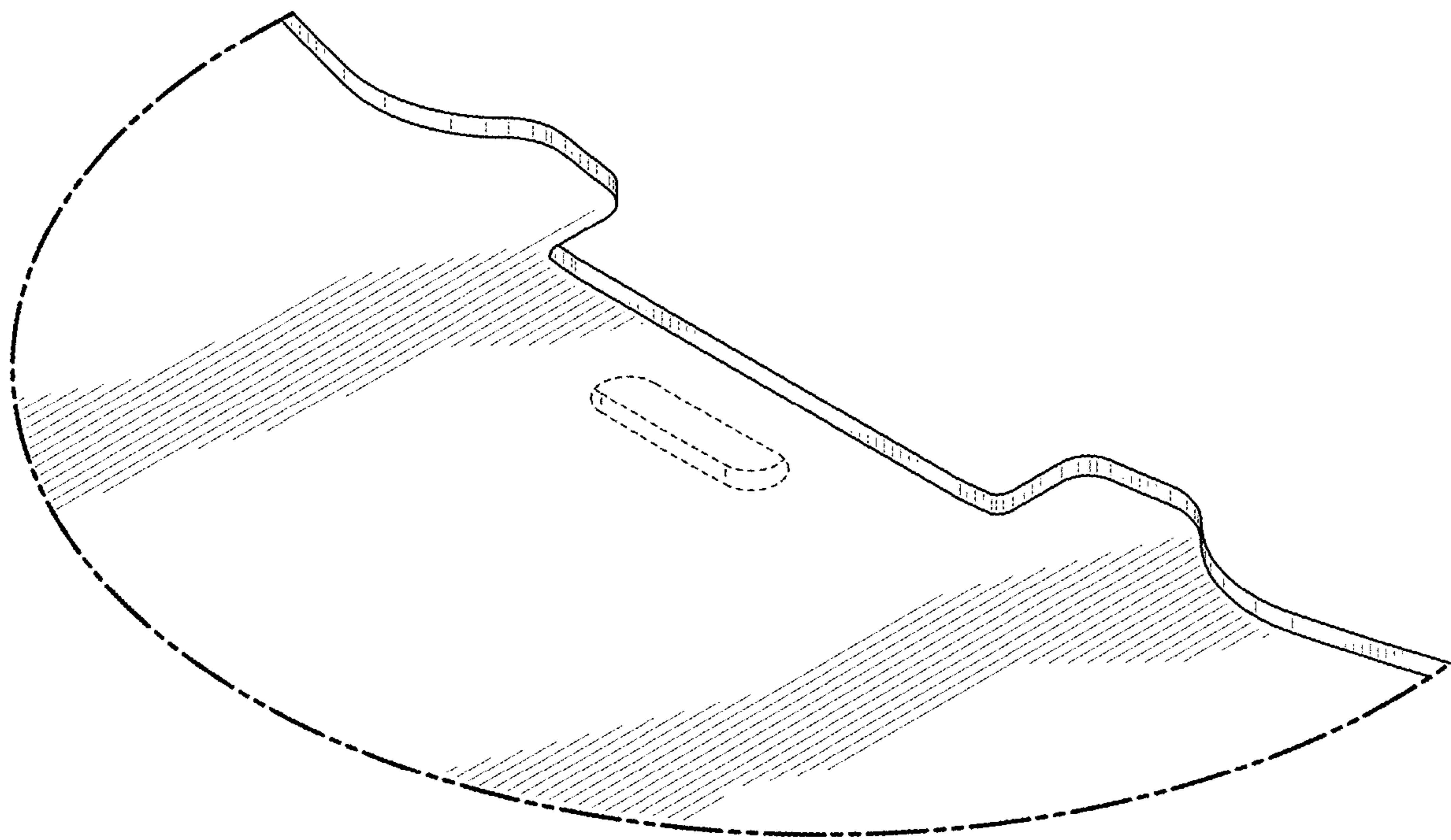


FIG. 12