

US00D960347S

(12) **United States Design Patent**
Li

(10) **Patent No.:** **US D960,347 S**
(45) **Date of Patent:** **** Aug. 9, 2022**

(54) **FAN**
(71) Applicant: **SHENZHEN JISU TECHNOLOGY CO., LTD**, Shenzhen (CN)
(72) Inventor: **Xiangfu Li**, Shenzhen (CN)
(73) Assignee: **SHENZHEN JISU TECHNOLOGY CO., LTD.**, Shenzhen (CN)
(**) Term: **15 Years**

D385,344 S * 10/1997 Green D23/366
D392,695 S * 3/1998 Haupt D23/385
D398,976 S * 9/1998 Green D23/366
D593,237 S * 5/2009 Chernick D26/37
7,631,814 B2 * 12/2009 Zarembinski A61L 9/12
239/58
D767,747 S * 9/2016 Wang D23/379
D828,941 S * 9/2018 Holmes D26/89
D931,536 S * 9/2021 Li D28/50
D933,802 S * 10/2021 Wang D23/379
D941,452 S * 1/2022 O'Connell D23/377
D948,023 S * 4/2022 Wang D23/377

(21) Appl. No.: **29/761,370**
(22) Filed: **Dec. 9, 2020**

* cited by examiner

Primary Examiner — Sharon S Oum

(30) **Foreign Application Priority Data**

Aug. 10, 2020 (CN) 202030450309.7

(51) **LOC (13) Cl.** **23-04**

(52) **U.S. Cl.**
USPC **D23/377**; D23/379

(58) **Field of Classification Search**
USPC D23/370, 377, 379, 385, 411-414, 332,
D23/333, 336, 341

CPC F04D 25/088; F04D 29/38; F04D 29/384;
F04D 29/386; F21V 33/0096

See application file for complete search history.

(56) **References Cited**

U.S. PATENT DOCUMENTS

D283,156 S * 3/1986 Mandelli D26/26
D334,976 S * 4/1993 Yuen D23/377

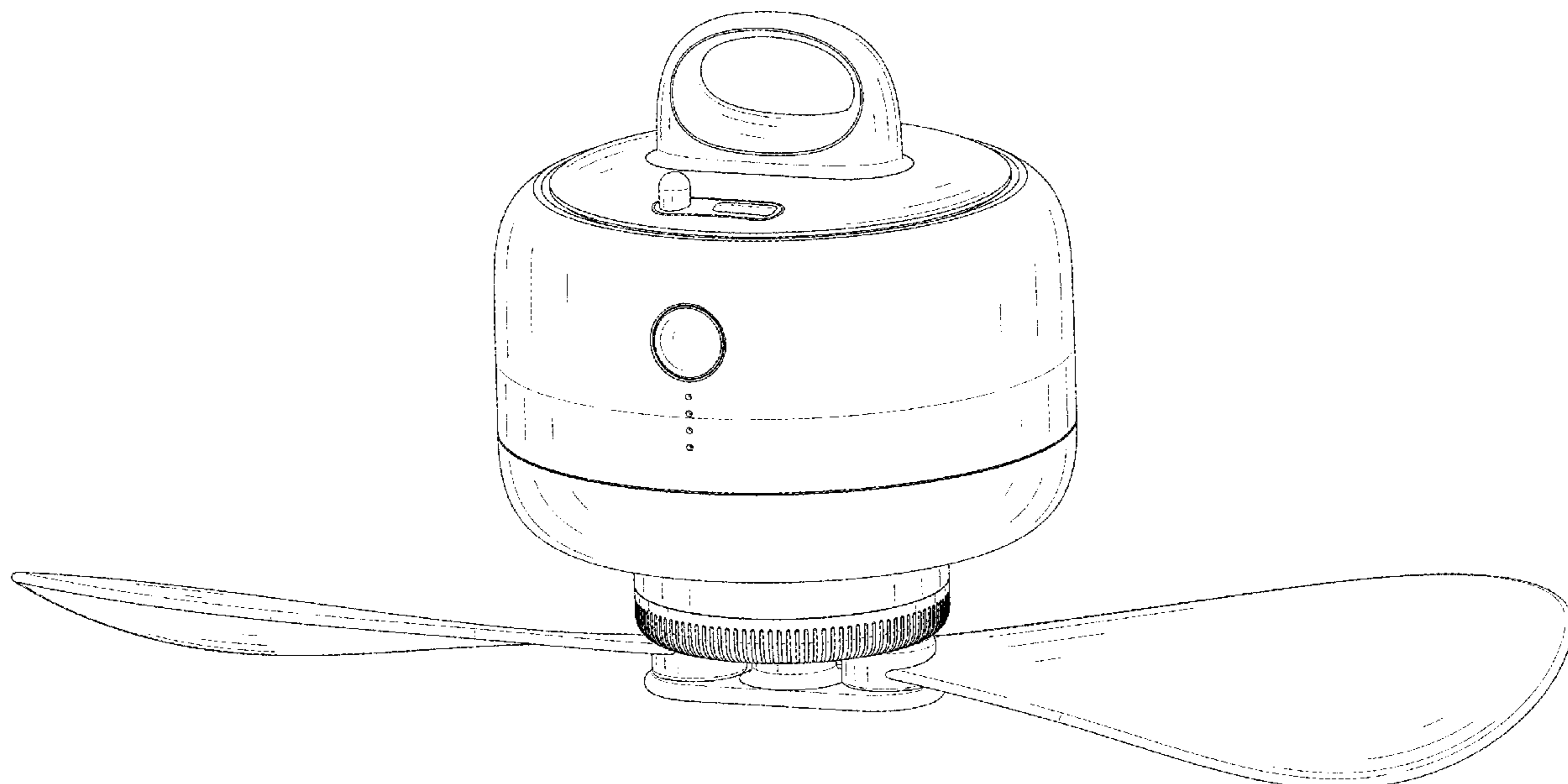
(57) **CLAIM**

The ornamental design for a fan, as shown and described.

DESCRIPTION

FIG. 1 is a perspective view of a fan showing my new design;
FIG. 2 is another perspective view thereof;
FIG. 3 is a front elevational view thereof;
FIG. 4 is a rear elevational view thereof;
FIG. 5 is a left side elevational view thereof;
FIG. 6 is a right side elevational view thereof;
FIG. 7 is a top plan view thereof; and,
FIG. 8 is a bottom plan view thereof.
The broken lines in the drawings depict portions of the fan that form no part of the claimed design.

1 Claim, 8 Drawing Sheets



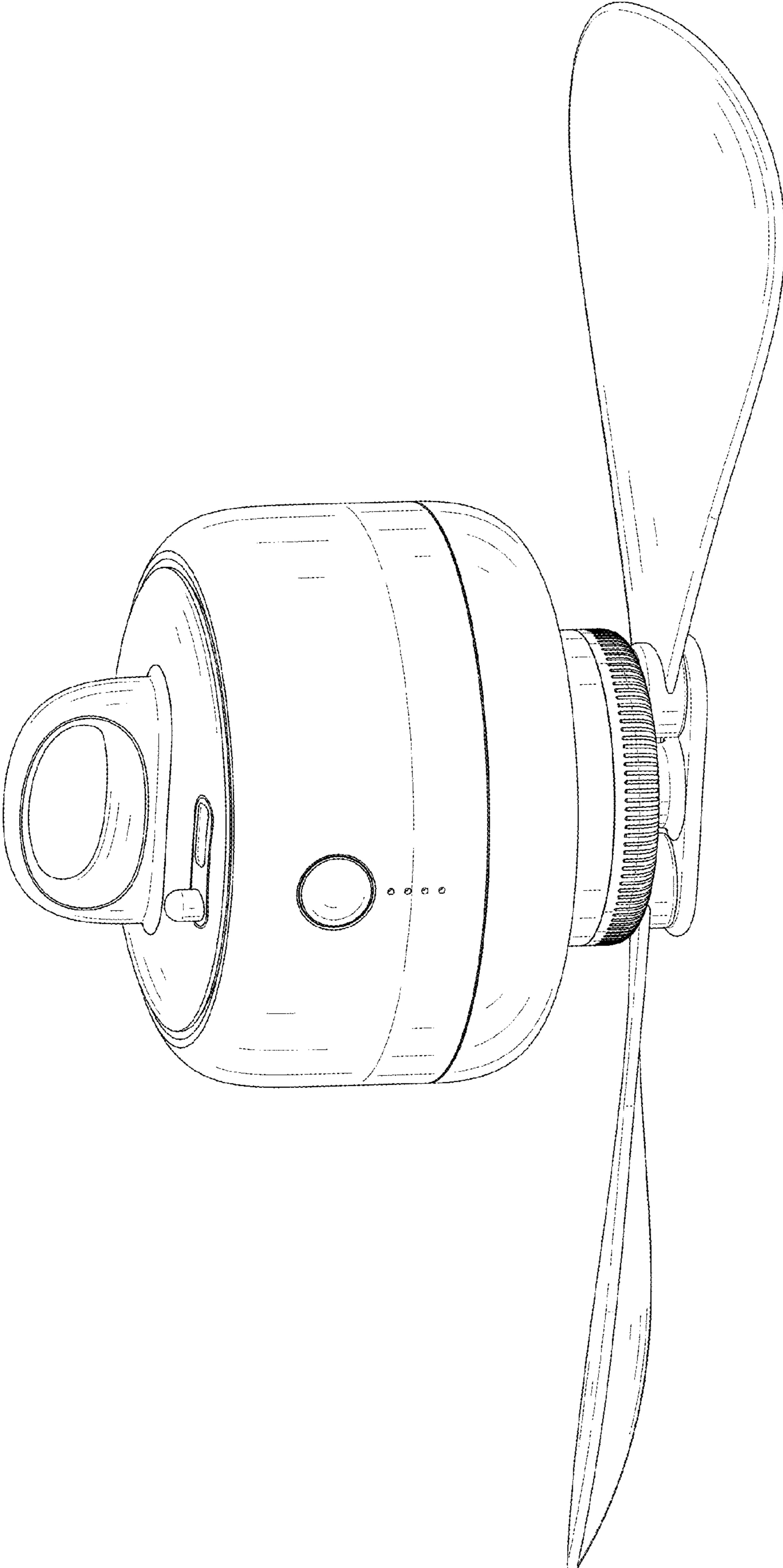


FIG. 1

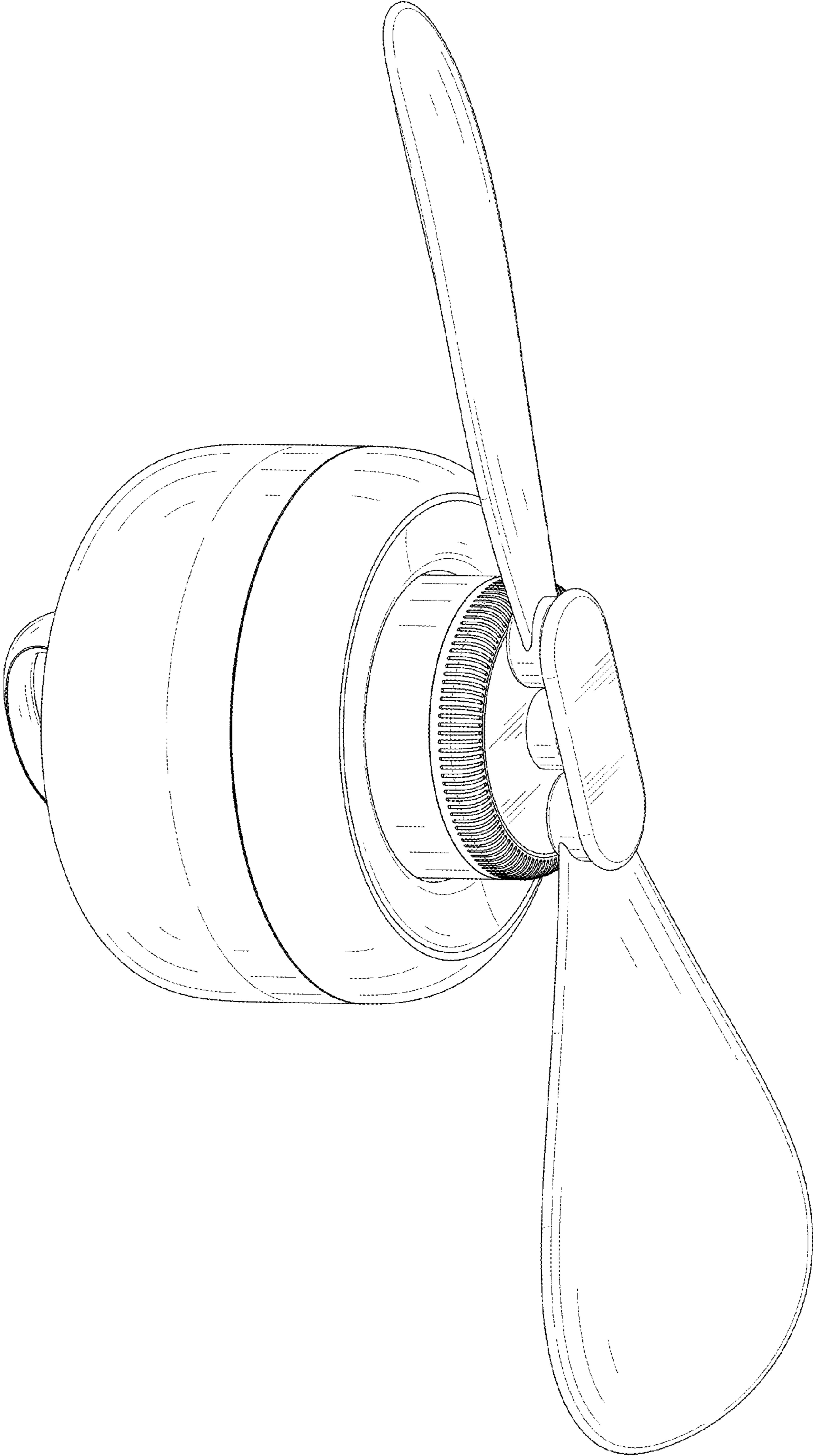


FIG. 2

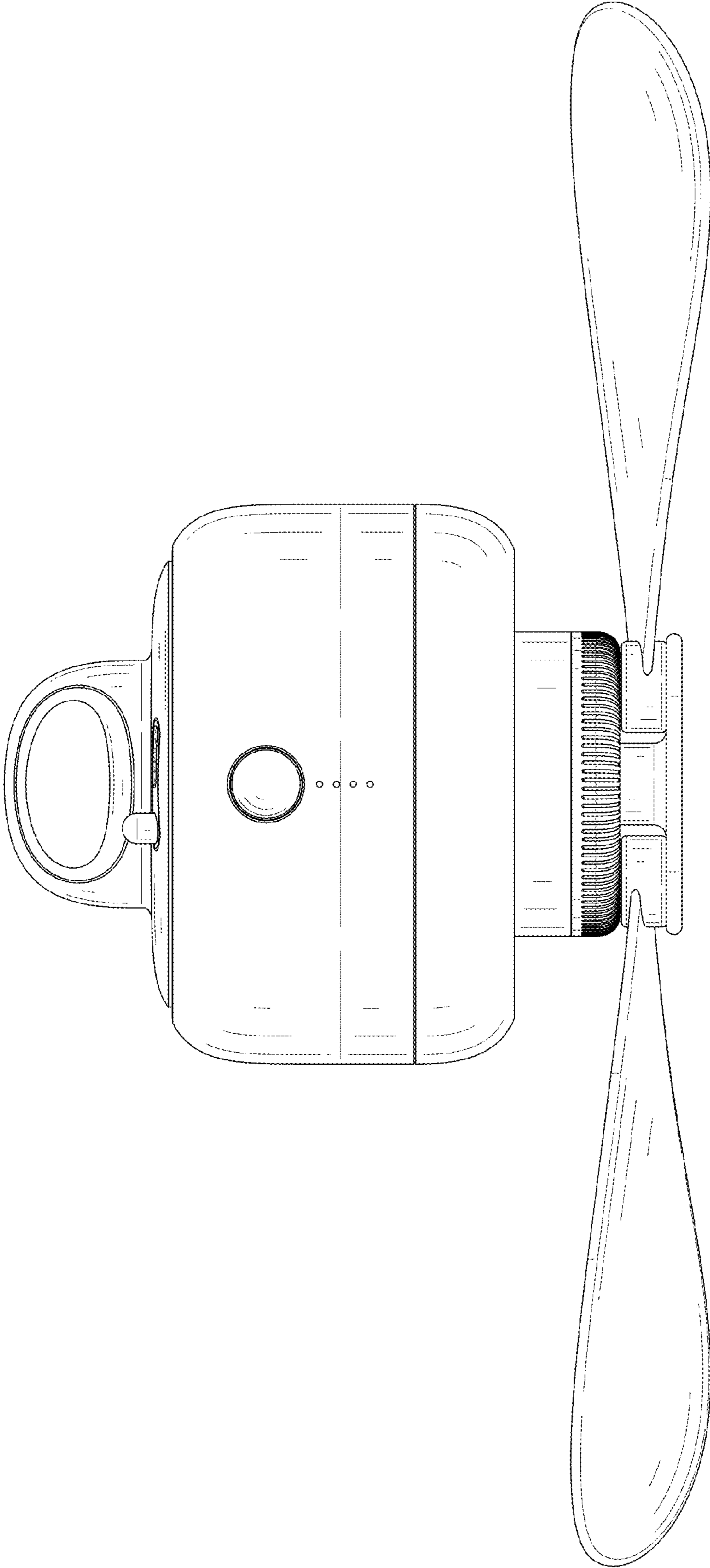


FIG. 3

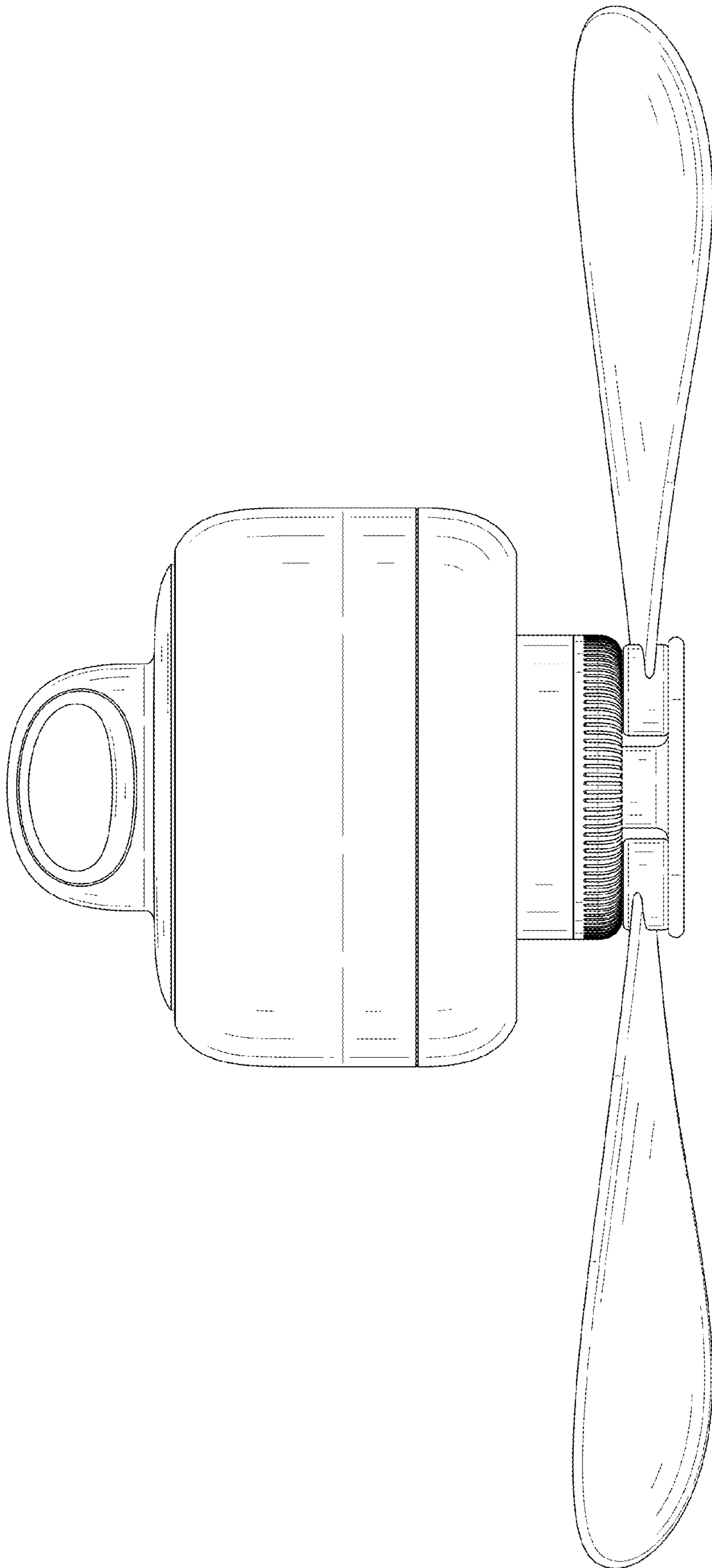


FIG. 4

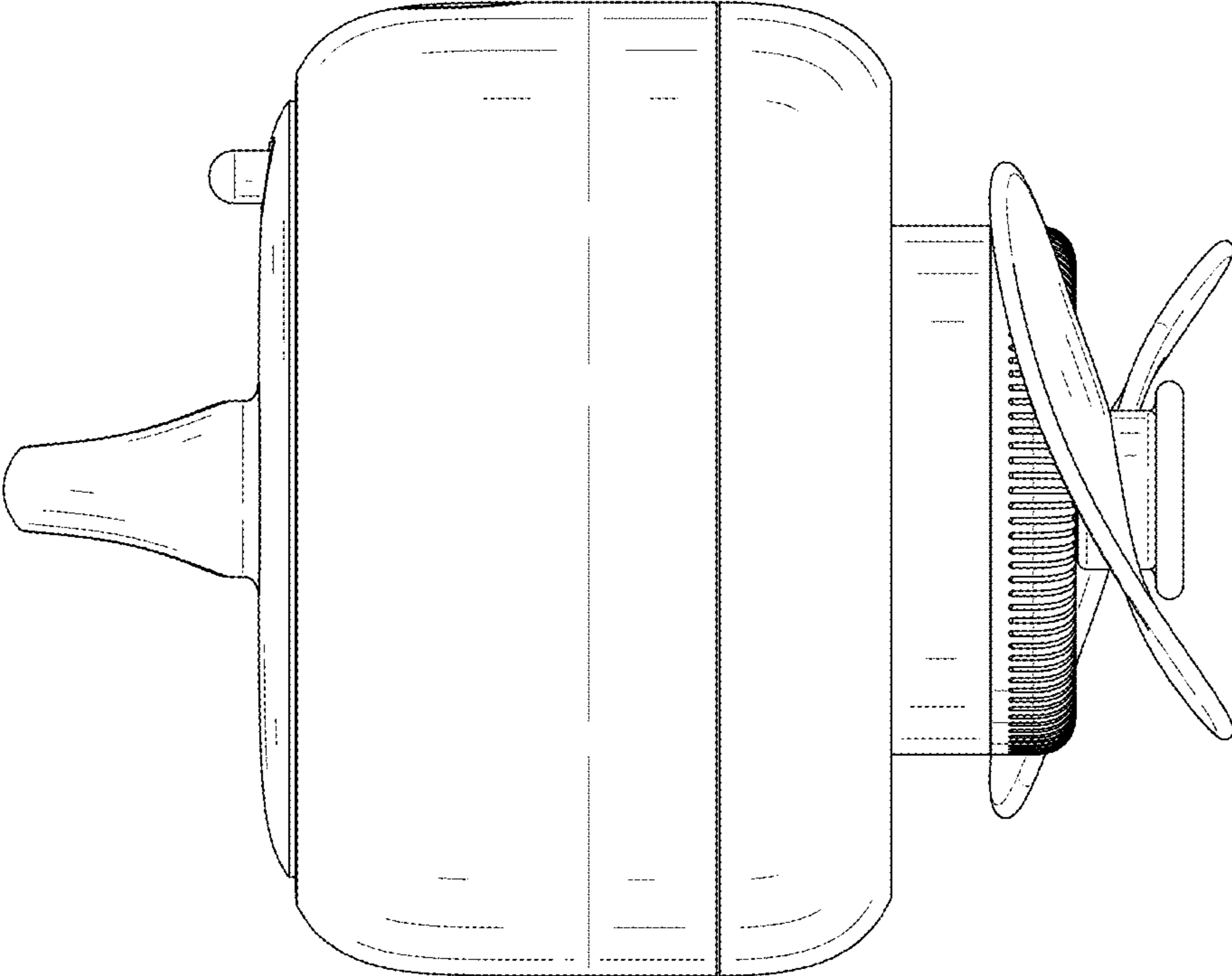


FIG. 5

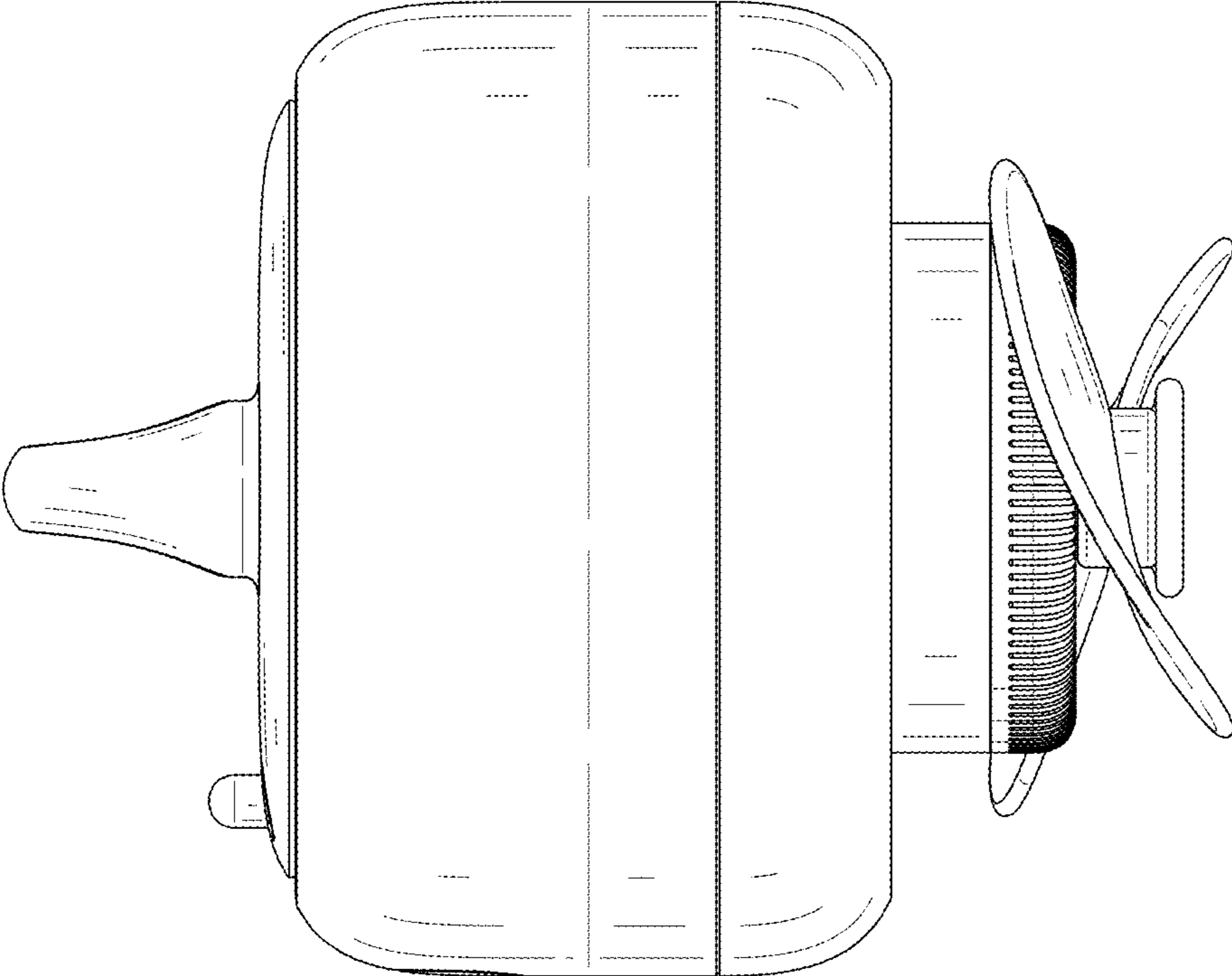


FIG. 6

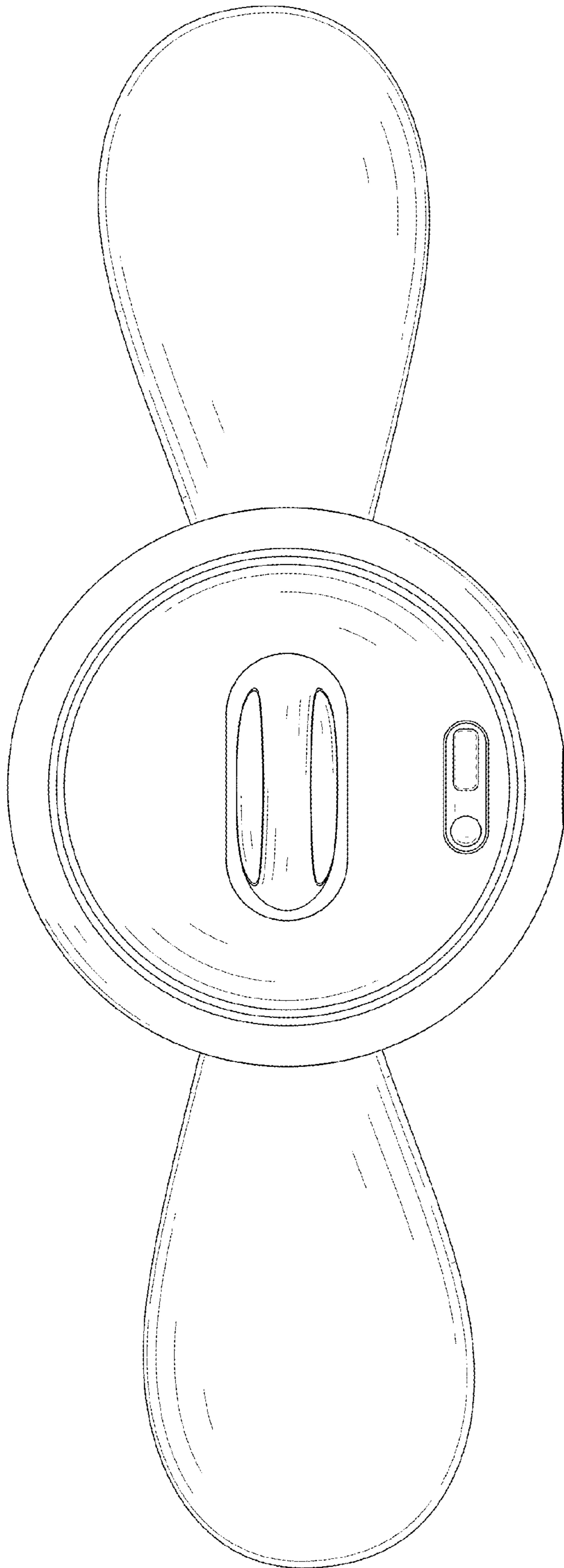


FIG. 7

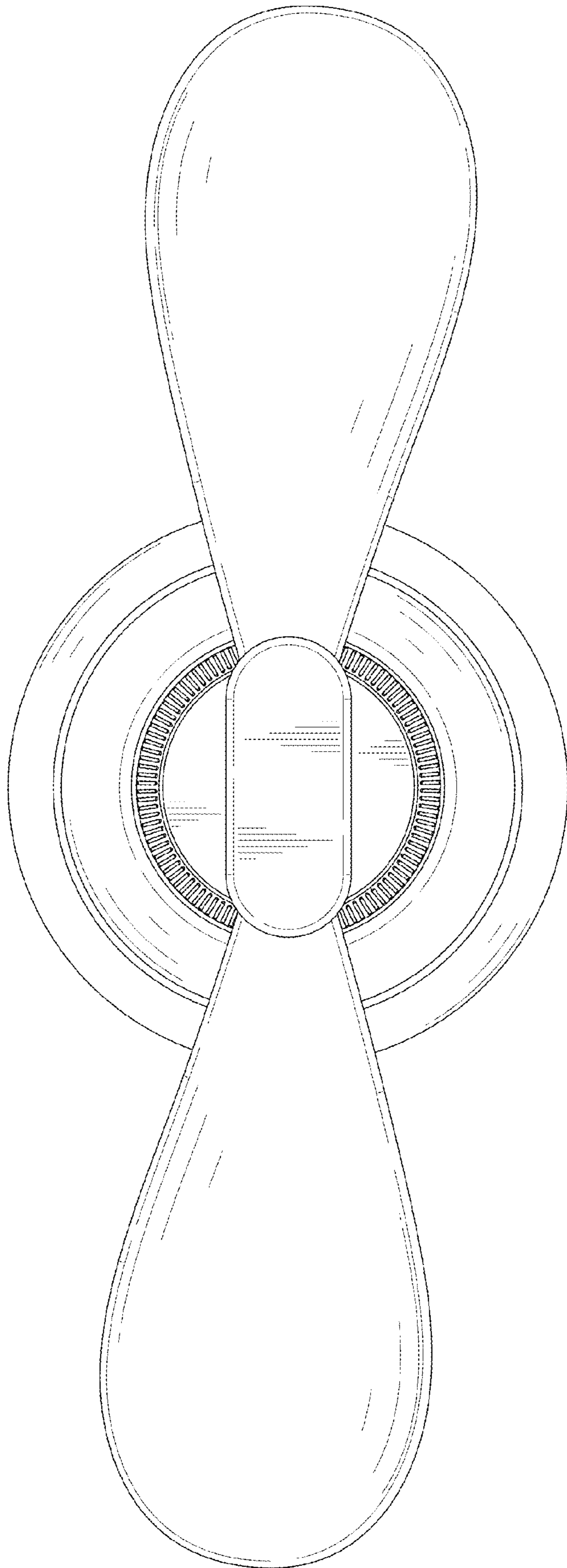


FIG. 8