



US00D960346S

(12) **United States Design Patent**  
**Lintner**

(10) **Patent No.:** **US D960,346 S**

(45) **Date of Patent:** **\*\* Aug. 9, 2022**

(54) **CEILING FAN**

(71) Applicant: **HUNTER FAN COMPANY,**  
Memphis, TN (US)

(72) Inventor: **Brian Earl Lintner,** Winnetka, IL (US)

(73) Assignee: **Hunter Fan Company,** Memphis, TN  
(US)

(\*\*) Term: **15 Years**

(21) Appl. No.: **29/754,087**

(22) Filed: **Oct. 6, 2020**

(51) **LOC (13) Cl.** ..... **23-04**

(52) **U.S. Cl.**  
USPC ..... **D23/377**

(58) **Field of Classification Search**  
USPC ..... D23/370, 377, 379, 385, 411-414;  
D26/59  
CPC ..... F04D 25/088; F04D 29/38; F04D 29/384;  
F04D 29/386; F21V 33/0096  
See application file for complete search history.

(56) **References Cited**

**U.S. PATENT DOCUMENTS**

1,812,058	A *	6/1931	Paul	.....	F21V 5/10 250/462.1
5,554,006	A *	9/1996	Liao	.....	F04D 29/384 416/243
6,833,539	B1 *	12/2004	Maeda	.....	A44C 15/0015 63/29.1
D505,196	S *	5/2005	Bacon	.....	D23/411
D513,436	S	1/2006	Frampton et al.		
D528,244	S	9/2006	Bayer et al.		
D555,271	S	11/2007	Lee		
D665,935	S *	8/2012	Guinon	.....	D26/37
D674,133	S *	1/2013	Chiu	.....	D26/125
D689,213	S *	9/2013	Chyan	.....	D26/2
D694,947	S *	12/2013	Liang	.....	D26/125
D708,386	S *	7/2014	Park	.....	D26/120
D742,559	S *	11/2015	Chow	.....	D26/2

D758,560	S *	6/2016	Gajewski	.....	D23/385
D759,228	S *	6/2016	Gajewski	.....	D23/411
D762,910	S	8/2016	Park		
D781,407	S *	3/2017	Gajewski	.....	D23/385
D789,511	S	6/2017	Wang		
D800,891	S *	10/2017	McRoberts	.....	D26/59
D804,640	S *	12/2017	Hagggar	.....	D23/385

(Continued)

**OTHER PUBLICATIONS**

<https://www.hunterfan.com/collections/ceiling-fans/products/ceiling-fans-anslee-low-profile-with-light-46-inch-fan768>, Hunter Fan Ansee Low Profile 46 Inch Ceiling Fan with Light, Item No. 59268, accessed May 14, 2020.

(Continued)

*Primary Examiner* — Sharon S Oum

(74) *Attorney, Agent, or Firm* — McGarry Bair PC

(57) **CLAIM**

The ornamental design for a ceiling fan, as shown and described.

**DESCRIPTION**

FIG. 1 is a top perspective view of a ceiling fan, showing my new design.

FIG. 2 is a bottom perspective view thereof;

FIG. 3 is a top view thereof;

FIG. 4 is a bottom view thereof;

FIG. 5 is a front view thereof;

FIG. 6 is a rear view thereof;

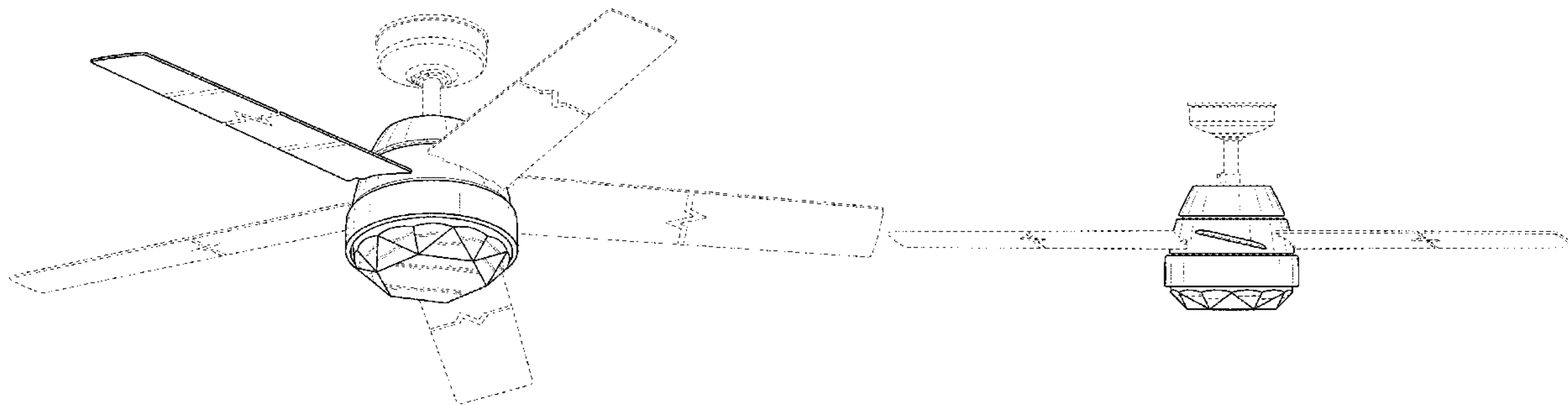
FIG. 7 is a right-side view thereof; and,

FIG. 8 is a left-side view thereof.

The broken lines illustrate portions of the ceiling fan that form no part of the claimed design.

The ceiling fan blades are shown with a symbolic break in their length. The appearance of any portion of the ceiling fan blades between the break lines forms no part of the claimed design.

**1 Claim, 8 Drawing Sheets**



(56)

**References Cited**

## U.S. PATENT DOCUMENTS

D805,175	S	*	12/2017	Haggar	.....	D23/385
D810,915	S		2/2018	Guthrie et al.		
D825,818	S		8/2018	Sonneman		
D844,769	S	*	4/2019	McRoberts	.....	D26/89
D861,154	S		9/2019	Biancuzzo		
D873,458	S		1/2020	Holmes		
D877,310	S	*	3/2020	Wang	.....	D23/377
D886,980	S	*	6/2020	McRoberts	.....	D23/377
D932,608	S	*	10/2021	Vidmar	.....	D23/377
D946,741	S	*	3/2022	Martell	.....	D23/377
2020/0224671	A1	*	7/2020	Norwood	.....	F04D 25/088
2021/0199131	A1	*	7/2021	Botkin	.....	F04D 25/088

## OTHER PUBLICATIONS

<https://fanimation.com/products/fans/damp-rated/berlin/>, Fanimation Berlin Ceiling Fan, SKU No. LP8064B, accessed May 14, 2020.

[https://quoruminternational.com/search\\_individual\\_result.asp?current=891035&page=1](https://quoruminternational.com/search_individual_result.asp?current=891035&page=1), Quorum International Hudson SER LED Kit, Matte Black, Item No. 1375-859, accessed May 14, 2020.

<https://www.craftmade.com/elegance-bowl-light-kit-lke35c-led>, Craftmade Elegance 2 Light Bowl Fan Light Kit, Model No. LKE35C-LED, accessed May 14, 2020.

<https://www.luminancebrands.com/fans/cf370bq.html>, Emerson Geode Ceiling Fan, Model No. CF370BQ, accessed May 14, 2020.

<https://www.hunterfan.com/collections/ceiling-fans/products/ceiling-fans-aker-with-led-light-36-inch-fam812>, Hunter Fan Aker 36 Inch Ceiling Fan with LED Light, Item No. 59301, accessed May 14, 2020.

<https://fanimation.com/products/fans/wet-rated/xeno-wetfp6729b/>, Fanimation Xeno Wet Indoor/Outdoor 56" Ceiling Fan, SKU No. FP6729B, accessed May 14, 2020.

<https://www.hunterfan.com/collections/ceiling-fans/products/ceiling-fans-romulus-with-led-light-60-inch-fama35>, Hunter Fan Romulus 60 Inch Ceiling Fan with LED Light, Item No. 59484, accessed May 14, 2020.

<https://www.kichler.com/kichler/products/ceiling-fans/indoor-ceiling-fans/56-ellys-ceiling-fan-ni/>, Kichler Ellys LED 56" Ceiling Fan Brushed Nickel, Model No. 300239NI, accessed May 14, 2020.

<https://www.hunterfan.com/collections/casablanca-ceiling-fans/products/ceiling-fans-casablanca-commodus-with-led-light-54-inch-famb72>, Casablanca Commodus with LED Light 54" Ceiling Fan, Item No. 59571, May 14, 2020.

<https://www.kichler.com/kichler/products/ceiling-fans/indoor-ceiling-fans/52-inch-spyn-fan-led-4cd77410/>, Kichler Spyn 52" LED Ceiling Fan Anvil Iron, Model No. 300275AVI, accessed May 14, 2020.

<https://www.kichler.com/kichler/products/ceiling-fans/indoor-ceiling-fans/3-blade-52-ceiling-fan-with-light-wzc/>, Kichler 52" LED Ceiling Fan Weathered Zinc, Model No. 35163, accessed May 14, 2020.

<https://www.hunterfan.com/collections/casablanca-ceiling-fans/products/ceiling-fans-casablanca-levitt-with-led-light-44-inch-fama46>, Casablanca Levitt 42 in. Ceiling Fan with LED Light, Item No. 59436, accessed May 14, 2020.

<https://www.kichler.com/kichler/products/ceiling-fans/indoor-ceiling-fans/52-inch-vassar-led-fan-ni/>, Kichler LED 52" Ceiling Fan Brushed Nickel, Model No. 330002NI, accessed May 14, 2020.

<https://www.homedepot.com/p/GE-Savanna-II-52-in-LED-Indoor-Brushed-Nickel-Ceiling-Fan-with-Light-and-Remote-Control-20772/312105805>, GE Savanna II 52 in. LED Indoor Brushed Nickel Ceiling Fan with Light and Remote Control, Model No. 20772, accessed May 14, 2020.

<http://www.montecarlofans.com/58825/72-Kingston-Matte-White-8KGR72RZWD.html>, Monte Carlo 72" Kingston, Matte White, Product No. 8KGR72RZWD, accessed May 14, 2020.

<https://www.homedepot.com/p/Hampton-Bay-Cobram-48-in-Integrated-LED-Indoor-Nickel-Ceiling-Fan-with-Light-Kit-and-Remote-Control-CF548KR-160-BN/301505291>, Hampton Bay Cobram 48 in. Integrated LED Indoor Nickel Ceiling Fan with Light Kit and Remote Control, Model No. CF548KR-160 BN, accessed May 14, 2020.

<http://www.montecarlofans.com/59731/52-Traverse-Semi-Flush-Fan---Aged-Pewter-5TV52AGPD-V1.html>, Monte Carlo Traverse Semi-Flush Ceiling Fan, Aged Pewter, Product No. 5TV52SGPD-V1, accessed May 14, 2020.

<https://www.minkagroup.net/f681-pn.html>, Minka Groton 56" Ceiling Fan, Model No. F681-PN, accessed May 14, 2020.

\* cited by examiner

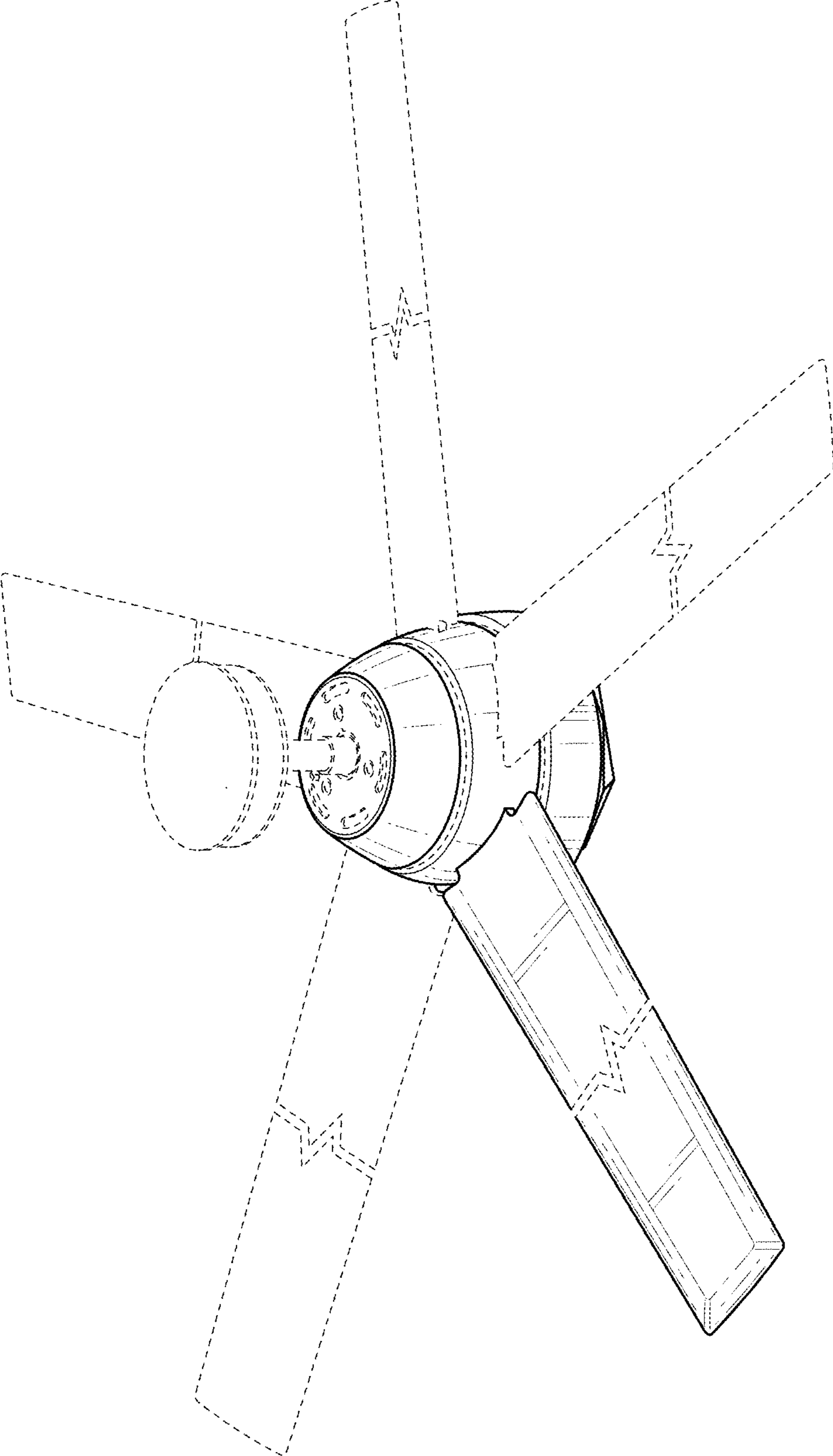


FIG. 1

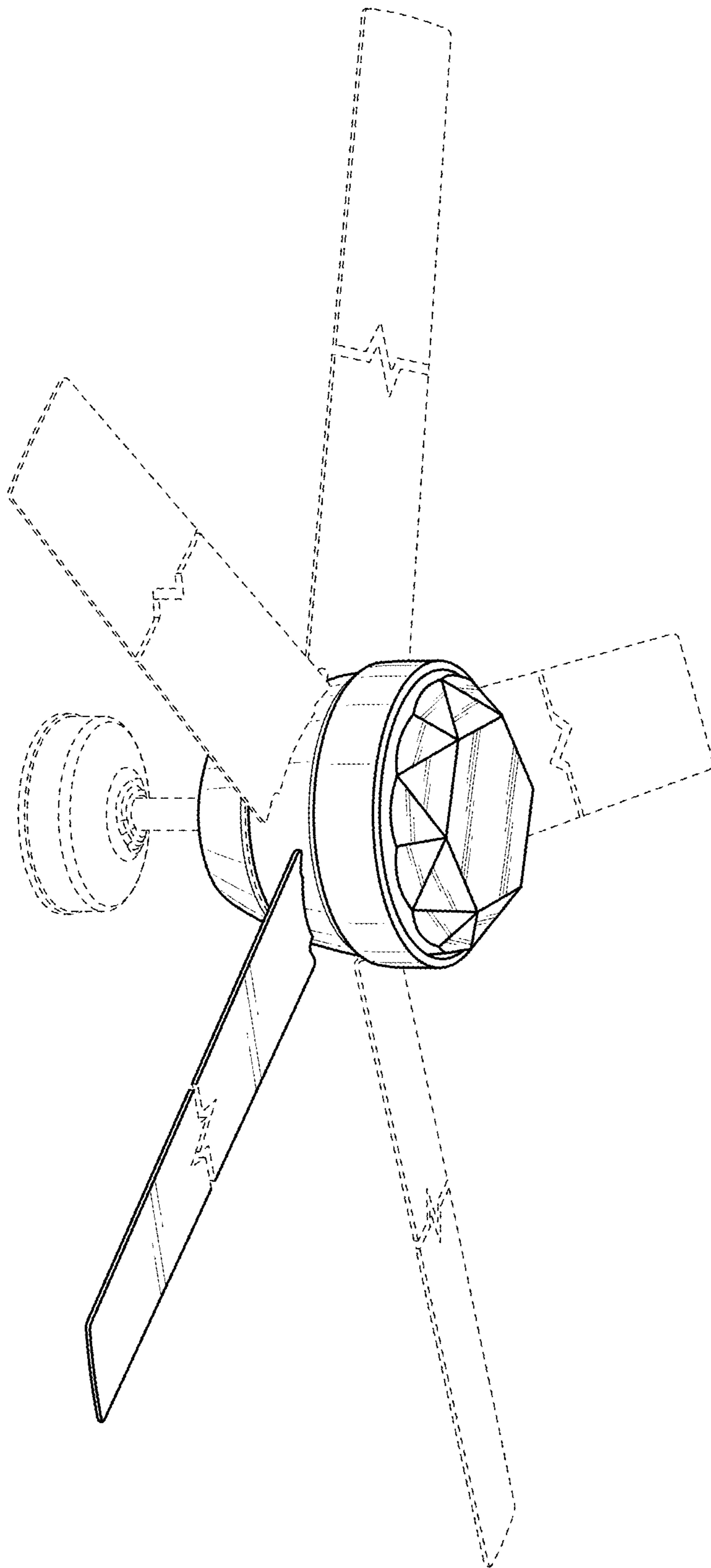


FIG. 2

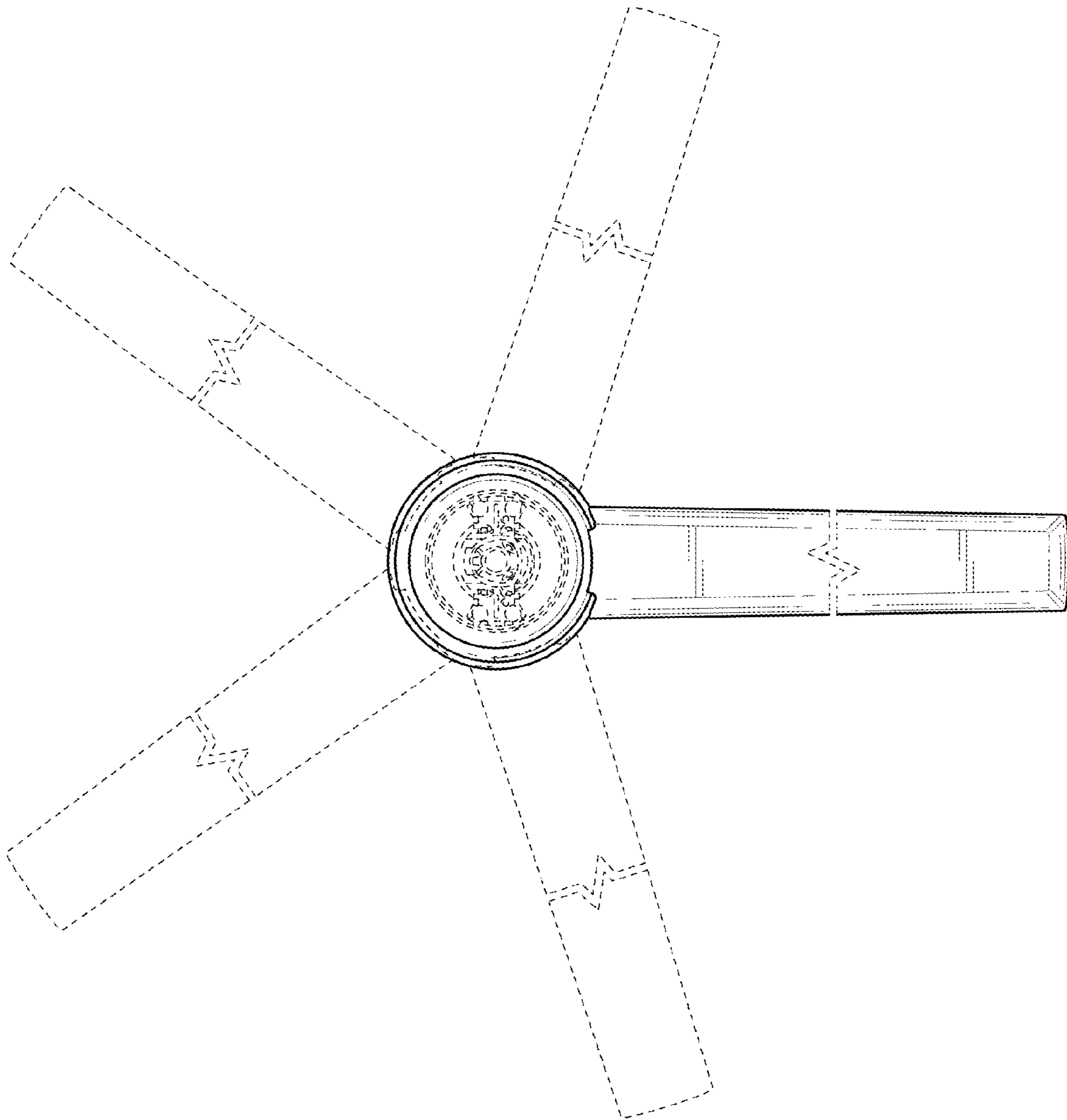


FIG. 3

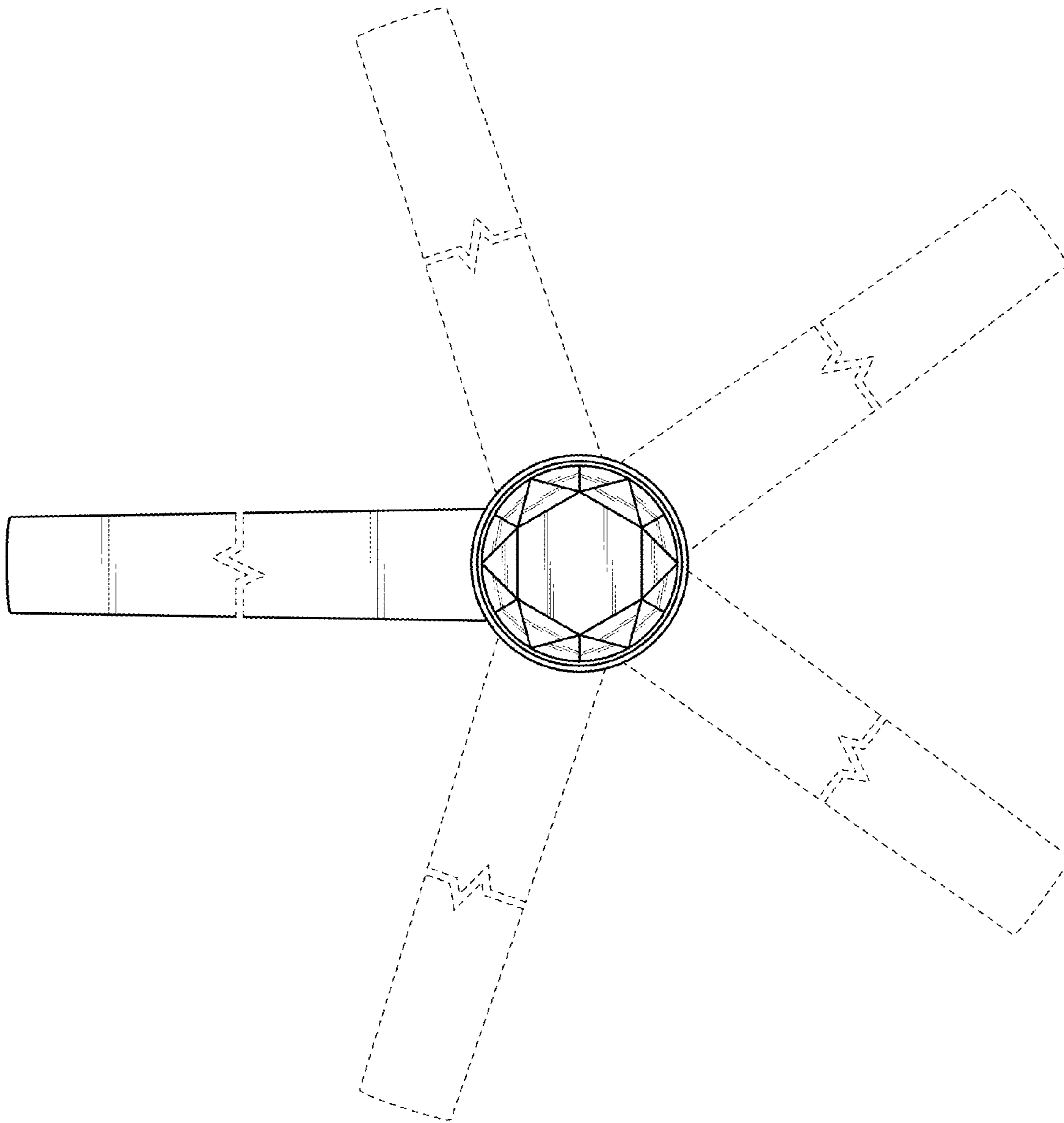


FIG. 4

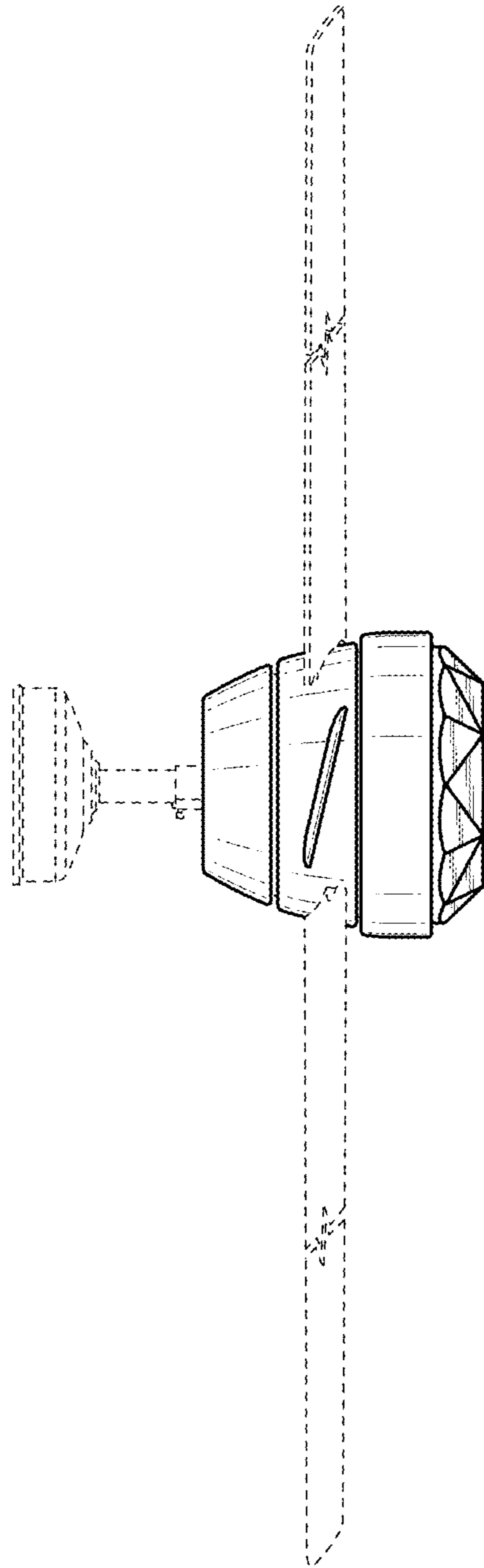


FIG. 5

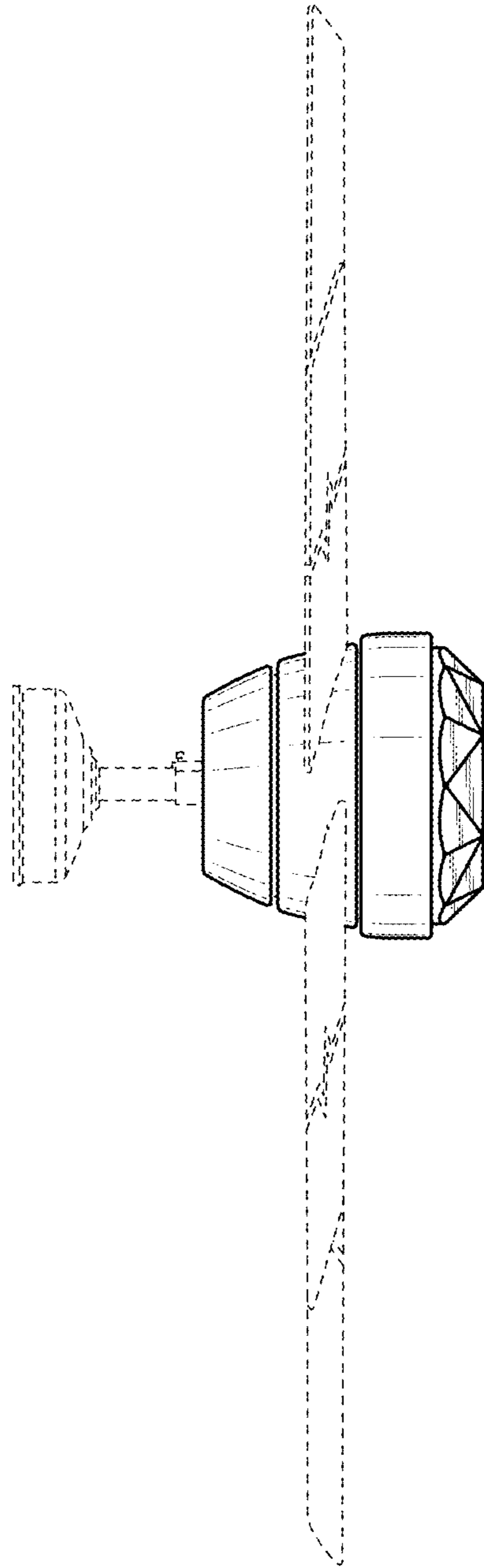


FIG. 6



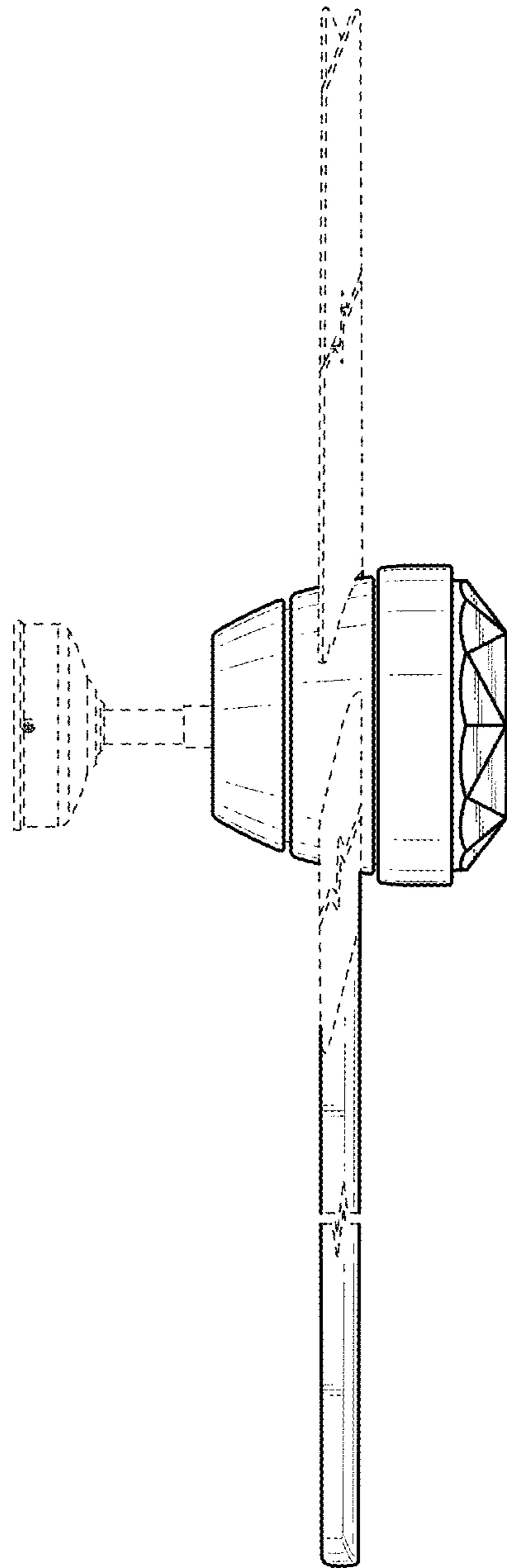


FIG. 7

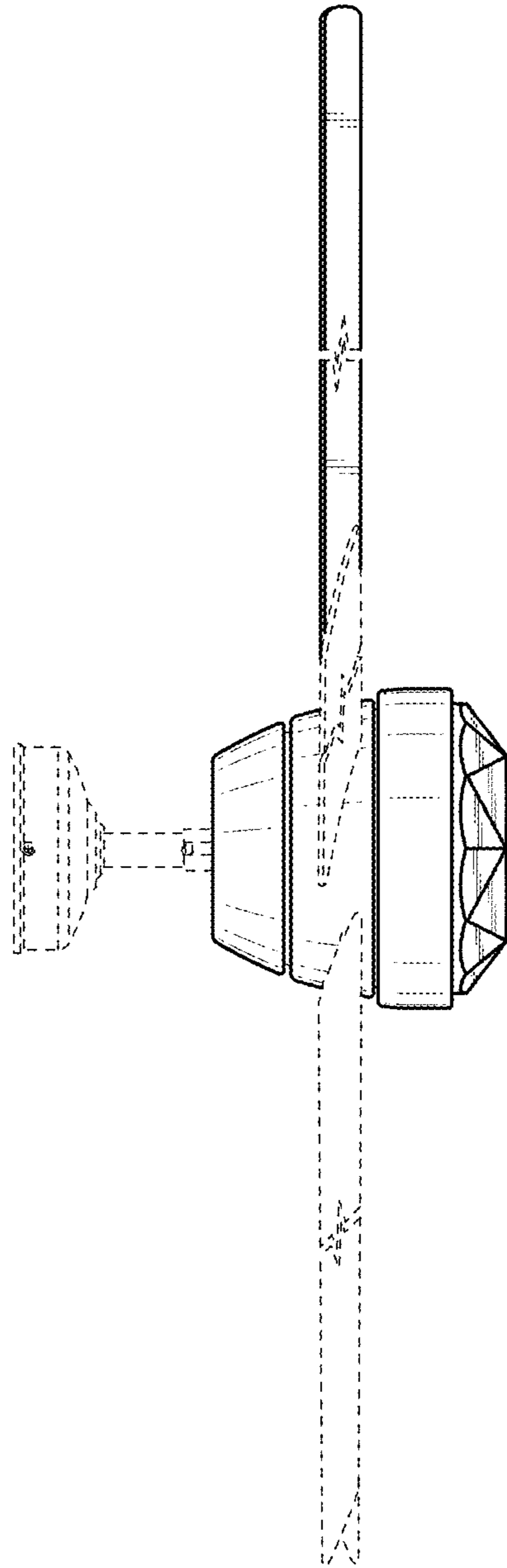


FIG. 8