

US00D960345S

(12) **United States Design Patent** (10) **Patent No.:** **US D960,345 S**
Holmes Bradley (45) **Date of Patent:** **** Aug. 9, 2022**

(54) **CEILING FAN**
(71) Applicant: **Hunter Fan Company**, Memphis, TN (US)
(72) Inventor: **Christine Marie Holmes Bradley**, Memphis, TN (US)
(73) Assignee: **Hunter Fan Company**, Memphis, TN (US)

D804,010 S * 11/2017 Guthrie D23/377
D804,630 S 12/2017 Holmes et al.
D805,173 S * 12/2017 Vajen Habig D23/377
D810,917 S 2/2018 Holmes
D818,104 S * 5/2018 Holmes D23/377
D824,558 S * 7/2018 Guthrie D26/59
D838,357 S * 1/2019 Hagggar D23/411
D854,677 S * 7/2019 Hagggar D23/377
D855,172 S * 7/2019 Holmes D23/411
D855,788 S * 8/2019 Hagggar D23/377

(Continued)

(**) Term: **15 Years**

(21) Appl. No.: **29/722,262**

(22) Filed: **Jan. 28, 2020**

(51) **LOC (13) Cl.** **23-04**

(52) **U.S. Cl.**
USPC **D23/377**

(58) **Field of Classification Search**
USPC D23/370, 377, 379, 385, 411, 413;
D26/59
CPC F04D 25/088; F04D 29/38; F04D 29/384;
F04D 29/386; F21V 33/0096
See application file for complete search history.

(56) **References Cited**

U.S. PATENT DOCUMENTS

D314,618 S 2/1991 Fen
D547,436 S 7/2007 Shurtleff
D561,374 S * 2/2008 Hartmann, Jr. D26/74
D609,324 S 2/2010 Lee
D609,799 S 2/2010 Lee
D628,688 S * 12/2010 Pan D23/377
D744,634 S 12/2015 Wang
D751,187 S * 3/2016 Dolan D23/411
D771,794 S 11/2016 Wang
D782,644 S * 3/2017 Wang D23/377
D788,286 S * 5/2017 Busta D23/411
D796,659 S * 9/2017 Schulzman D23/377
D799,020 S 10/2017 Guthrie
D801,515 S * 10/2017 Wang D23/411

OTHER PUBLICATIONS

<https://www.craftmade.com/triad-tri54>, Craftmade Triad Ceiling Fan, Blades included, Model No. TRI54, accessed Jun. 14, 2018.

(Continued)

Primary Examiner — Sharon S Oum

(74) *Attorney, Agent, or Firm* — McGarry Bair PC

(57) **CLAIM**

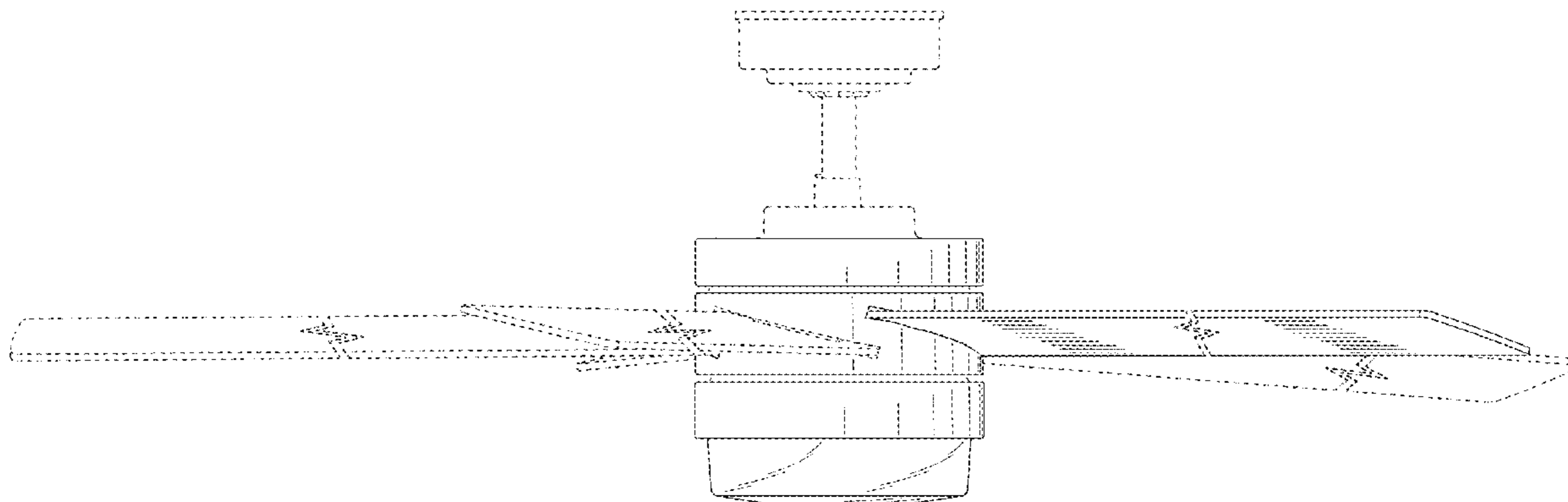
The ornamental design for a ceiling fan, as shown and described.

DESCRIPTION

FIG. 1 is a top perspective view of a ceiling fan, showing my new design;
FIG. 2 is a top view thereof;
FIG. 3 is a bottom view thereof;
FIG. 4 is a front view thereof;
FIG. 5 is a right side view thereof;
FIG. 6 is a left side view thereof; and,
FIG. 7 is a rear view thereof.

The broken lines illustrate portions of the ceiling fan that form no part of the claimed design. Jagged break lines represent broken away symbols and form no part of the claimed design. The appearance of any portion of the ceiling fan blades between jagged break lines forms no part of the claimed design.

1 Claim, 7 Drawing Sheets



(56)

References Cited

U.S. PATENT DOCUMENTS

D855,789	S	*	8/2019	Haggar	D23/377
D873,987	S	*	1/2020	Biancuzzo	D23/377
D874,637	S	*	2/2020	Haggar	D23/411
D877,314	S	*	3/2020	Holmes	D23/411
D885,551	S	*	5/2020	McRoberts	D23/377
D933,806	S	*	10/2021	Haggar	D23/411
2018/0128276	A1	*	5/2018	Li	F04D 25/06

OTHER PUBLICATIONS

<https://www.hunterfan.com/ceiling-fans/zilker-with-led-light-52-inch-fam818>, Hunter Fan Zilker 52 Inch Ceiling Fan with LED Light, Item No. 59237, accessed Jun. 14, 2018.

<http://www.fanimation.com/products/index.php/fans/blitz.html>, Fanimation Blitz Indoor/Outdoor Ceiling Fan, Model No. LP8377, accessed Jun. 14, 2018.

<http://www.kichler.com/products/product/52-arkwet-patio-ceiling-fan-wsp-339529wsp.aspx>, Kichler Arkwright Collection, 52" Arkwright Patio Ceiling Fan Weathered Steel Powder Coat, Model No. 339529WCB, accessed Jun. 14, 2018.

<https://www.minkagroup.net/f5431-ka.html>, Minka Aire Swept, 56: 4-Blade LED Ceiling Fan in Kocoa Finish with Kocoa Blades and an Etched Glass Lens, Model No. F5431-KA, accessed Jun. 14, 2018.

<https://www.build.com/emerson-cf766-ceiling-fan/s971528?uid=2408012>, Emerson 4th Avenue Collection Ceiling Fan with Light Kit, Model No. CF766, accessed Jun. 14, 2018.

http://www.craftmadefansolutions.com/lighting/7-449-621-0-601764/Craftmade-Lighting_Urban-Breeze-48-Ceiling-Fan-with-Light-Kit-UBR48.htm, Craftmade Urbana 48" Ceiling Fan with Light Kit, Model No. URB48, accessed Jun. 14, 2018.

<http://www.fanimation.com/products/index.php/fans/zonix-wet.html>, Fanimation Zonix Wet Ceiling Fan, Model No. FP4640, accessed Jun. 14, 2018.

<http://ceilingfans.emerson.com/en/shop/fan/fan-s-all/fans-s-browse-all/highrise-fan-p-cf430>, Emerson Highrise Contemporary Bronze Ceiling Fan with LED Light, Model No. CF430, accessed Jun. 14, 2018.

<https://www.craftmadelightinglights.com/product/craftmade-wakefield-indoor-ceiling-fans-con48ww4c1.html?page=1>, Craftmade Wakefield 48" Ceiling Fan with Reversible Blades, Model No. CON48WW4C1, accessed Jun. 14, 2018.

<http://www.montecarlofans.com/57252/56-Vision-Max-Matte-White-3VNMR56RZWD.html>, Monte Carlo Vison Max Collection, Vision Max 56"—Matte White, Product No. 3VNMR56RZWD-V1, accessed Jun. 14, 2018.

<http://www.fanimation.com/products/index.php/fans/pylon.html>, Fanimation Pylon 48" Bushed Nickel Indoor/Outdoor Downrod Mount Ceiling Fan with Light Kit and Remote, Model No. LP8277, accessed Jun. 14, 2018.

<https://www.hunterfan.com/ceiling-fans/exeter-with-led-light-54-inch-fam800>, Hunter Fan Exeter Ceiling Fan with LED Light Kit, Item No. 59161, accessed Jun. 14, 2018.

http://www.craftmadefansolutions.com/lighting/7-449-621-0-601934/Craftmade-Lighting_Urbana-48-Ceiling-Fan-with-Light-Kit-UB48BC4C1.htm, Craftmade Urbana 48" Ceiling Fan with Light Kit, Model No. URB48, accessed Jun. 14, 2018.

http://www.craftmadefansolutions.com/lighting/7-450-623-0-667550/Craftmade-Lighting_Midoro-56-Ceiling-Fan-With-Light-Kit-MO56.htm, Craftmade Midoro 56" Ceiling Fan with Light Kit, Model No. MO56, accessed Jun. 14, 2018.

* cited by examiner

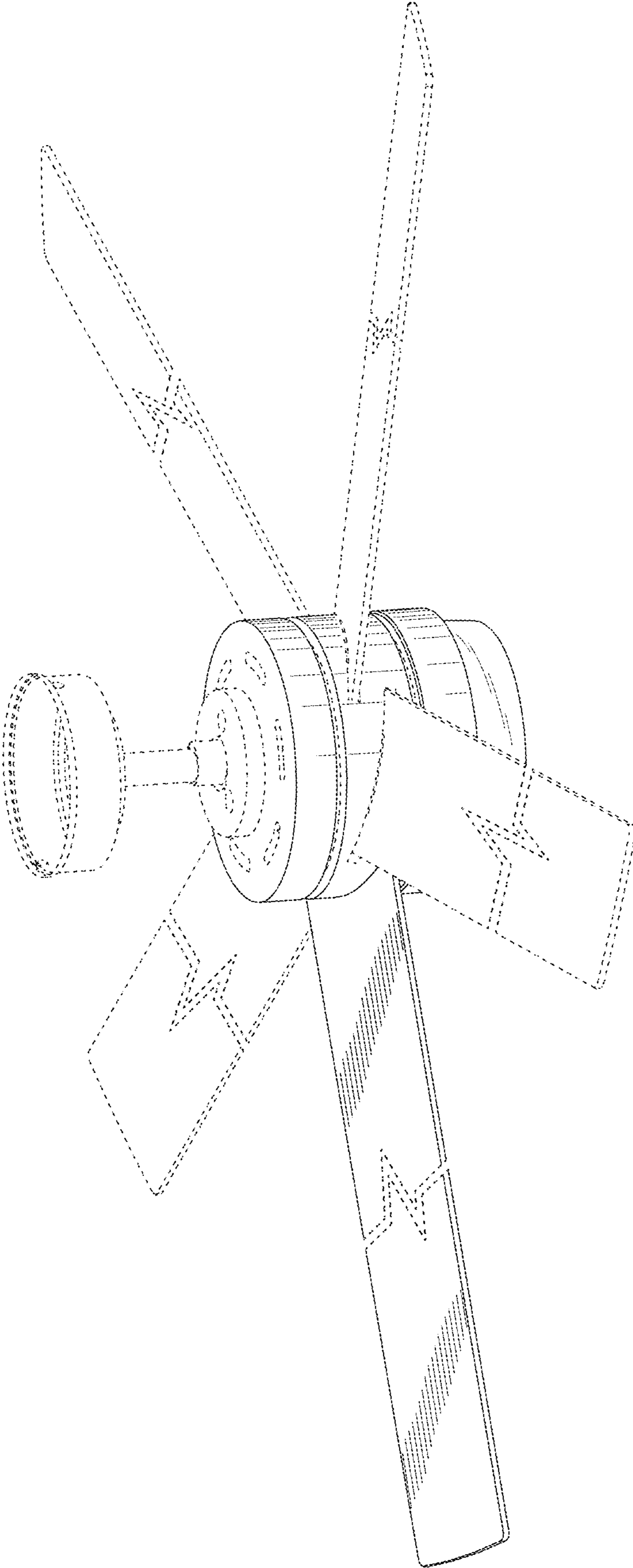


FIG. 1

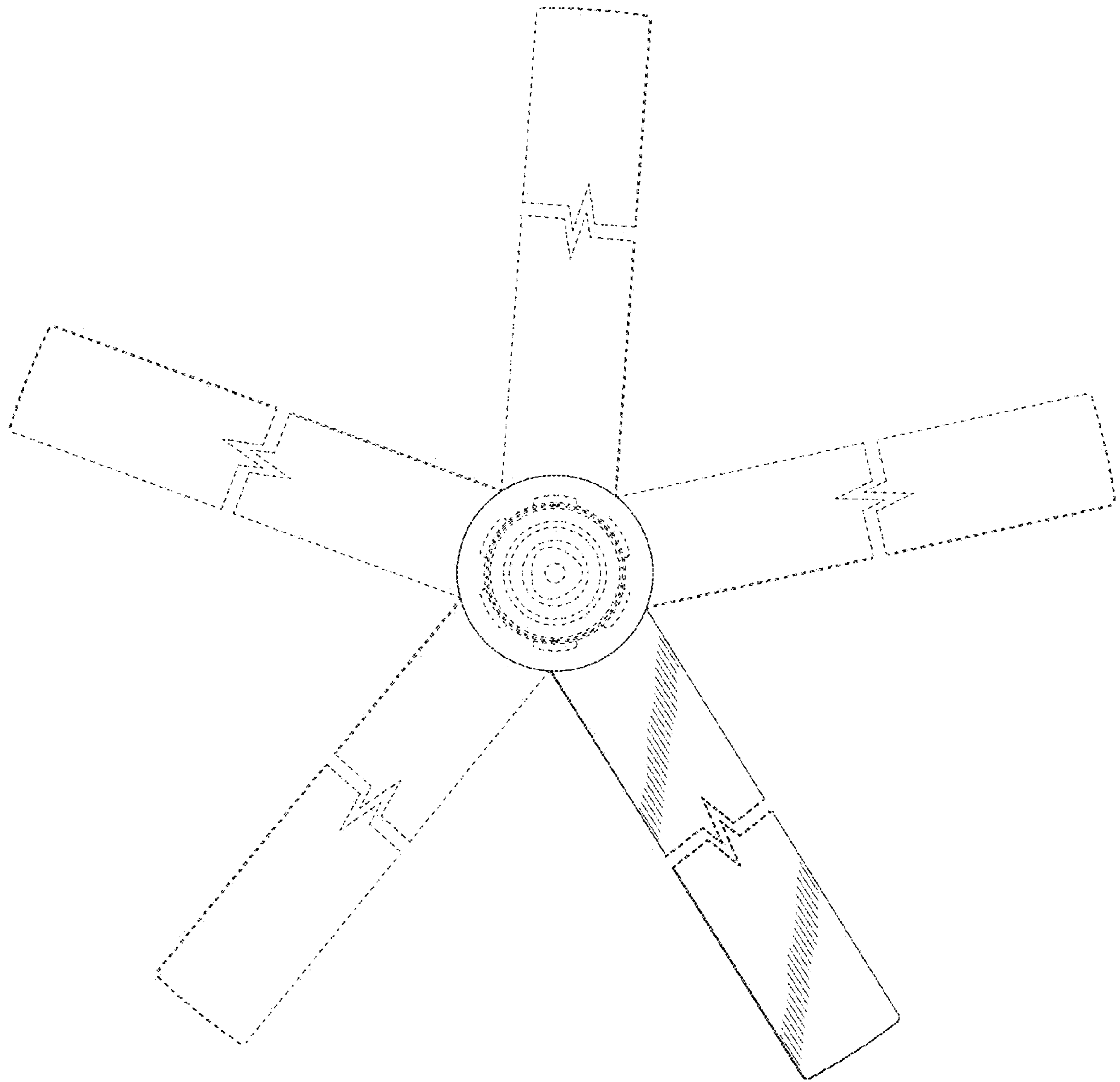


FIG. 2

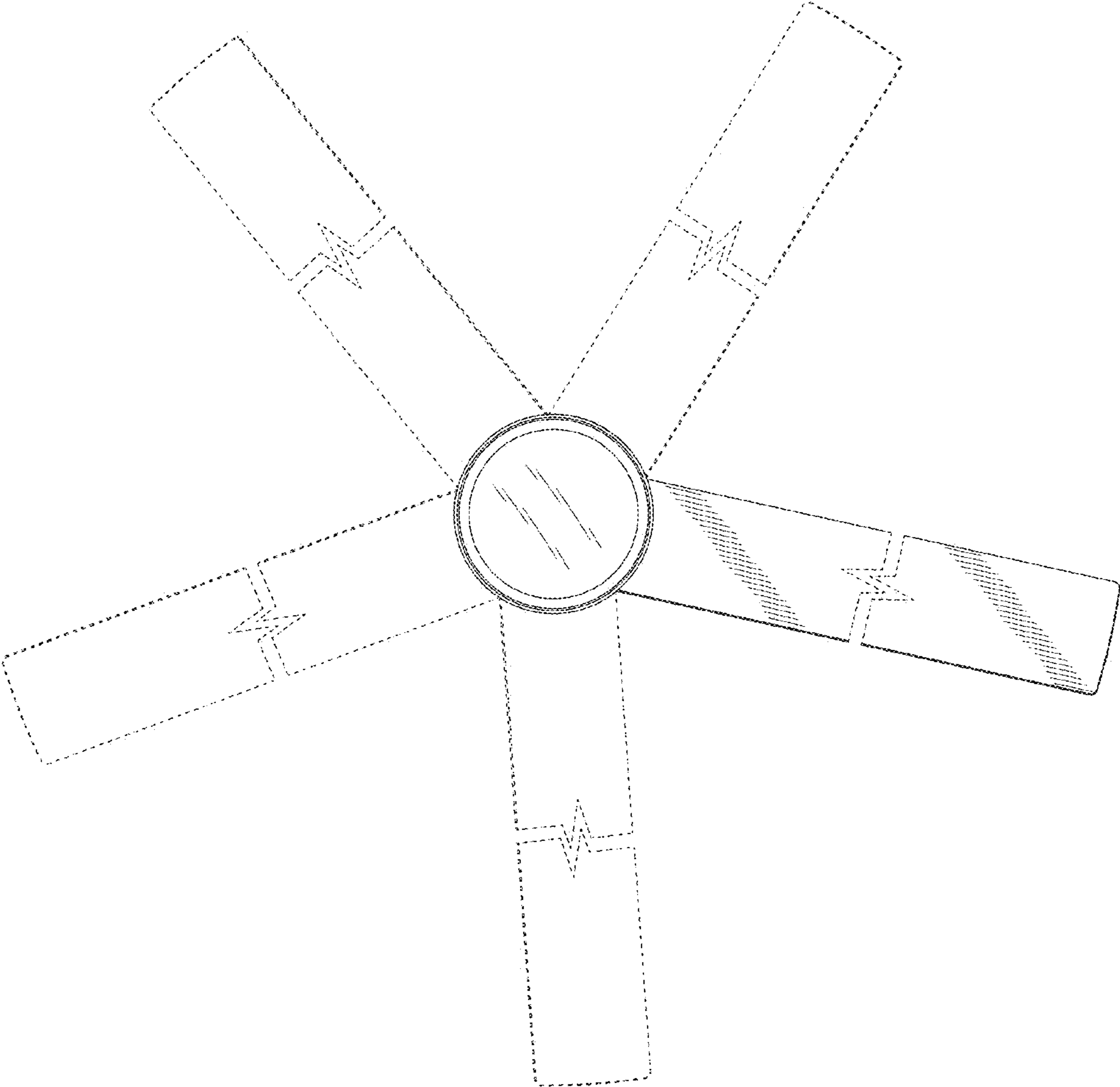


FIG. 3

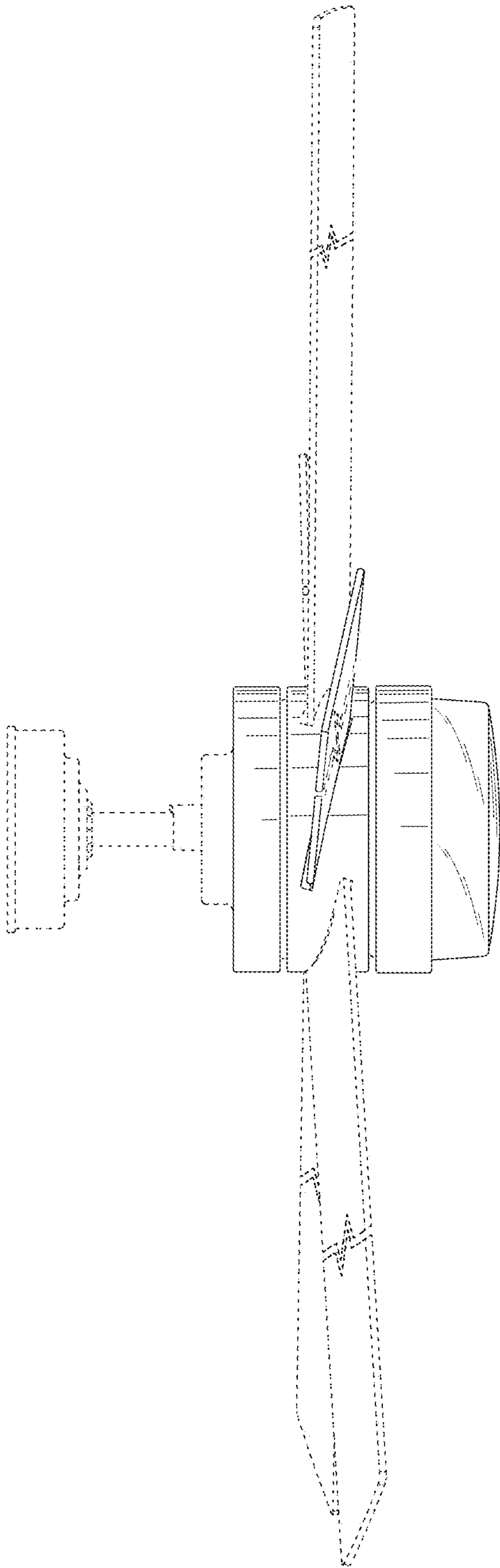


FIG. 4

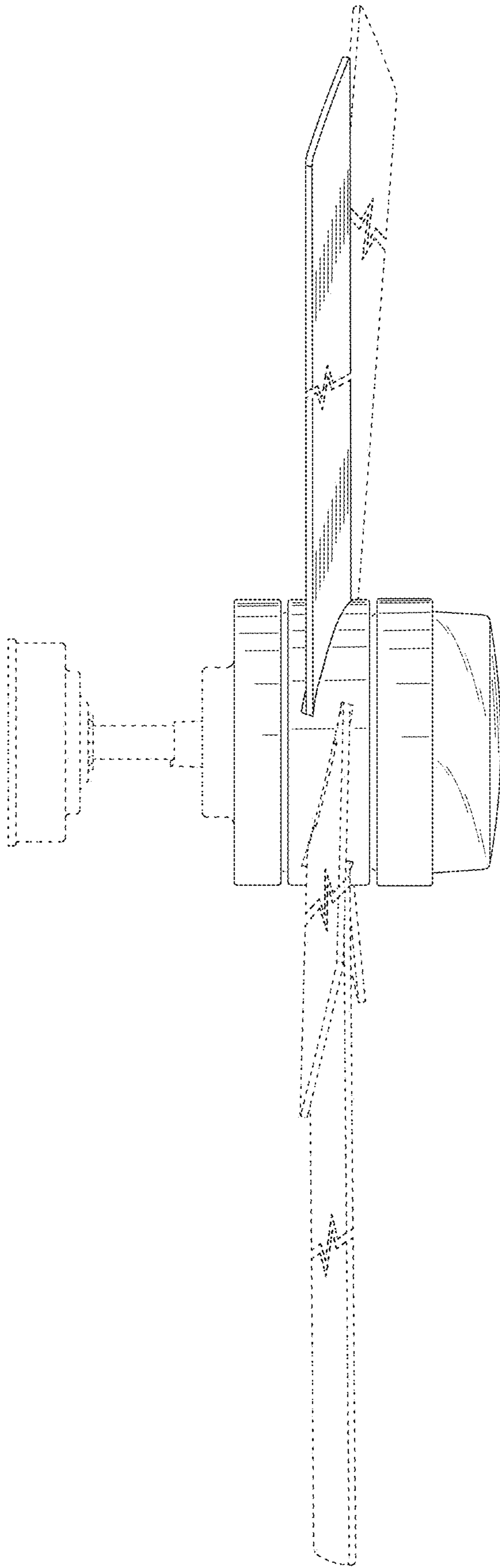


FIG. 5

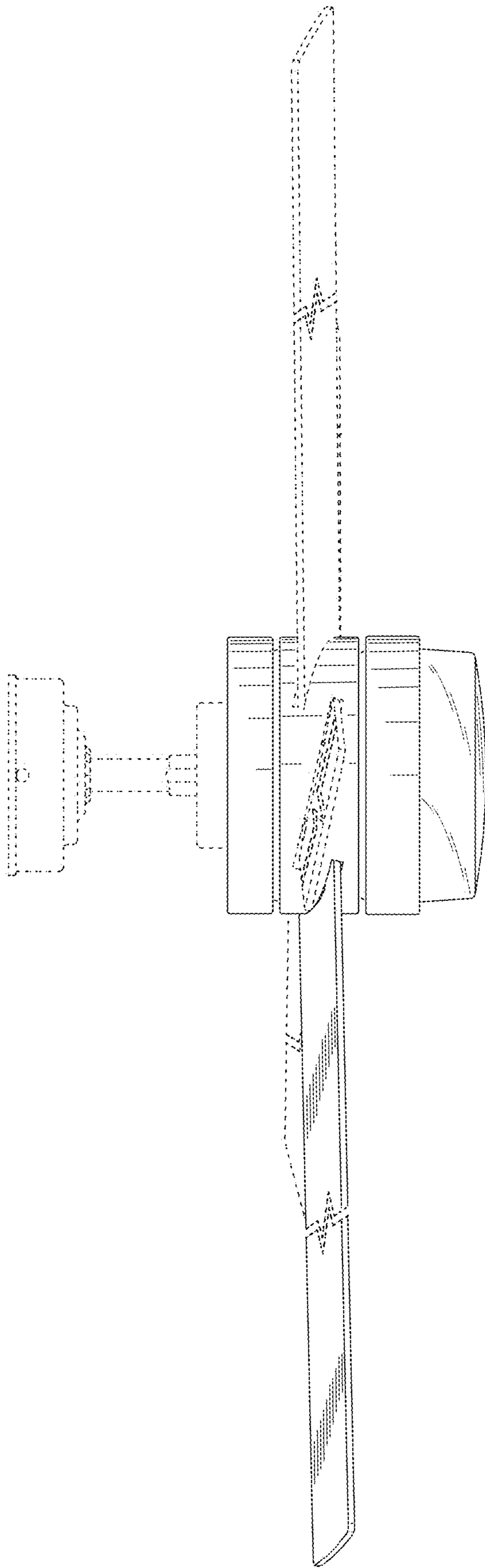


FIG. 6

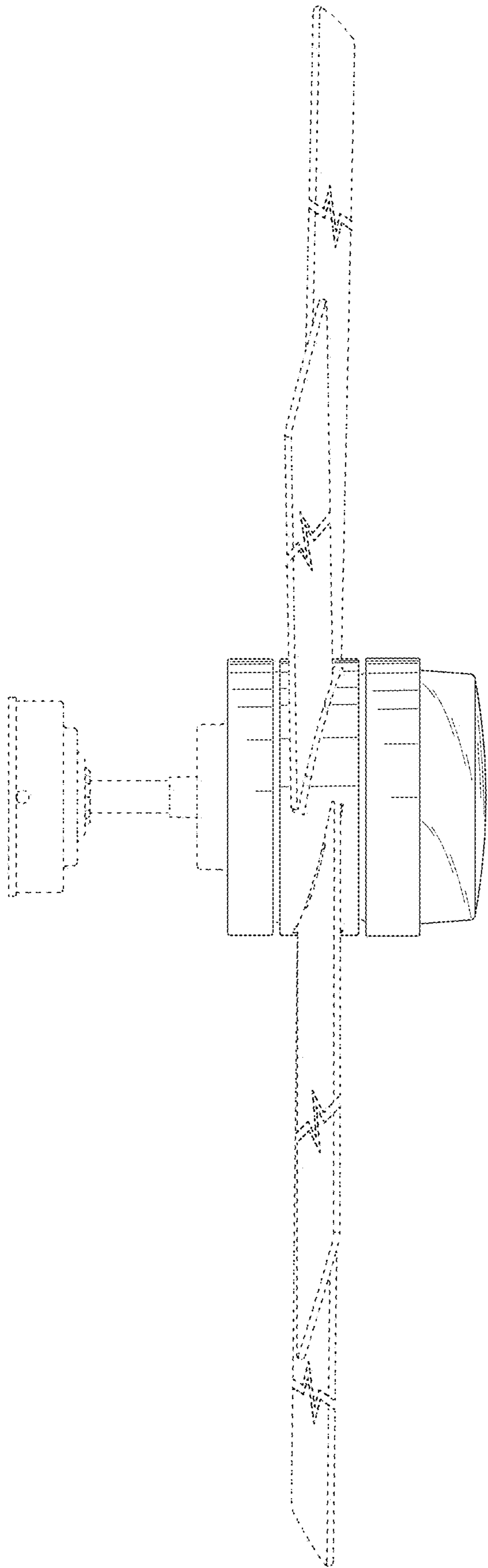


FIG. 7