



US00D960344S

(12) **United States Design Patent**  
**Schmidt**

(10) **Patent No.:** **US D960,344 S**

(45) **Date of Patent:** **\*\* Aug. 9, 2022**

(54) **OZONE GENERATOR**

(71) Applicant: **Michael P. Schmidt**, Clarence, NY  
(US)

(72) Inventor: **Michael P. Schmidt**, Clarence, NY  
(US)

(\*\*) Term: **15 Years**

(21) Appl. No.: **29/732,567**

(22) Filed: **Apr. 24, 2020**

(51) **LOC (13) Cl.** ..... **23-04**

(52) **U.S. Cl.**  
USPC ..... **D23/366**

(58) **Field of Classification Search**  
USPC ..... D23/208, 355-369; D24/209.1, 212-213  
CPC ..... A61L 9/02; A61L 9/03; A61L 9/12; A61L  
9/035; A61L 9/125  
See application file for complete search history.

(56) **References Cited**

**U.S. PATENT DOCUMENTS**

D457,946 S *	5/2002	Barnes	.....	D23/366
D507,636 S *	7/2005	Baraky	.....	D23/366
D686,721 S *	7/2013	Wirz	.....	D23/366
D700,694 S *	3/2014	Sordo	.....	D23/366
D816,823 S *	5/2018	Gobber	.....	D23/366
D865,935 S *	11/2019	Hu	.....	D23/366
D870,257 S *	12/2019	Gobber	.....	D23/366
D880,675 S *	4/2020	Gobber	.....	D23/366
D887,982 S *	6/2020	Schmidt	.....	D13/122
D898,890 S *	10/2020	Roberts	.....	D23/366
D905,221 S *	12/2020	Gobber	.....	D23/366

D927,680 S *	8/2021	Schmidt	.....	D23/383
D929,645 S *	8/2021	Schmidt	.....	D26/138
D933,799 S *	10/2021	Cheng	.....	D23/366
D939,683 S *	12/2021	Davis	.....	D23/366

**OTHER PUBLICATIONS**

Airthereal B50 Mini Ozone Generator Air Purifier, Aug. 15, 2018, amazon.com, Dec. 28, 2021, URL: <https://www.amazon.com/Airthereal-Generator-Purifier-Portable-Eliminating/dp/B07CYTR8XK> (Year: 2018).\*

Airthereal B50-PRO Mini Ozone Generator with Negative Ion, Aug. 15, 2018, amazon.com, Dec. 28, 2021, URL: <https://www.amazon.com/dp/B07CYKGXMC/> (Year: 2018).\*

\* cited by examiner

*Primary Examiner* — Keith J Wilson

(74) *Attorney, Agent, or Firm* — Vincent G. LoTempio

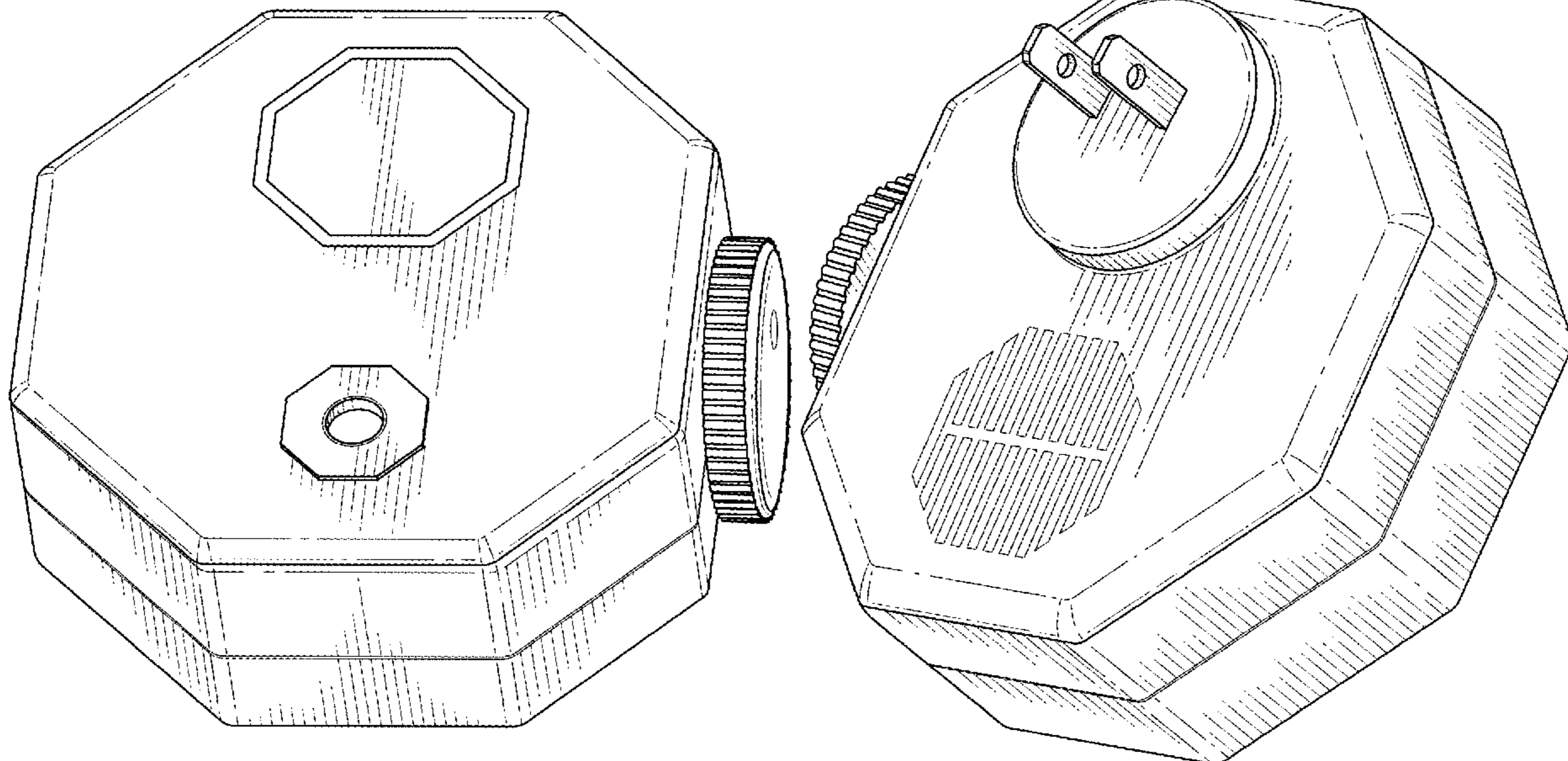
(57) **CLAIM**

The ornamental design for an ozone generator, as shown and described.

**DESCRIPTION**

FIG. 1 is a top perspective view showing my new design; FIG. 2 is a bottom perspective view thereof; FIG. 3 is a top view thereof; FIG. 4 is a bottom view thereof; FIG. 5 is a left side view thereof; FIG. 6 is a right side view thereof; FIG. 7 is a back view thereof; and, FIG. 8 is a front view thereof.

**1 Claim, 5 Drawing Sheets**



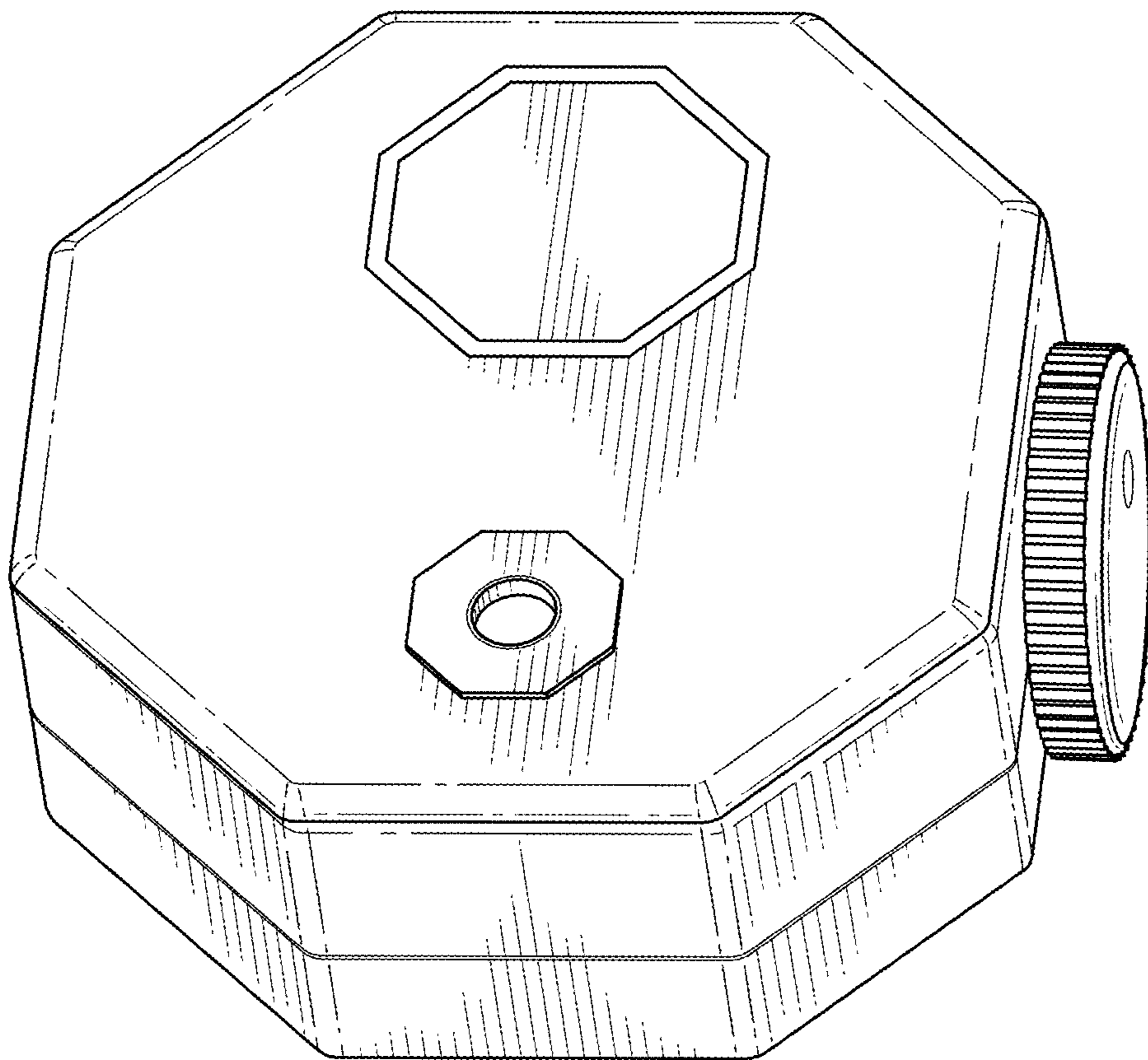


FIG. 1

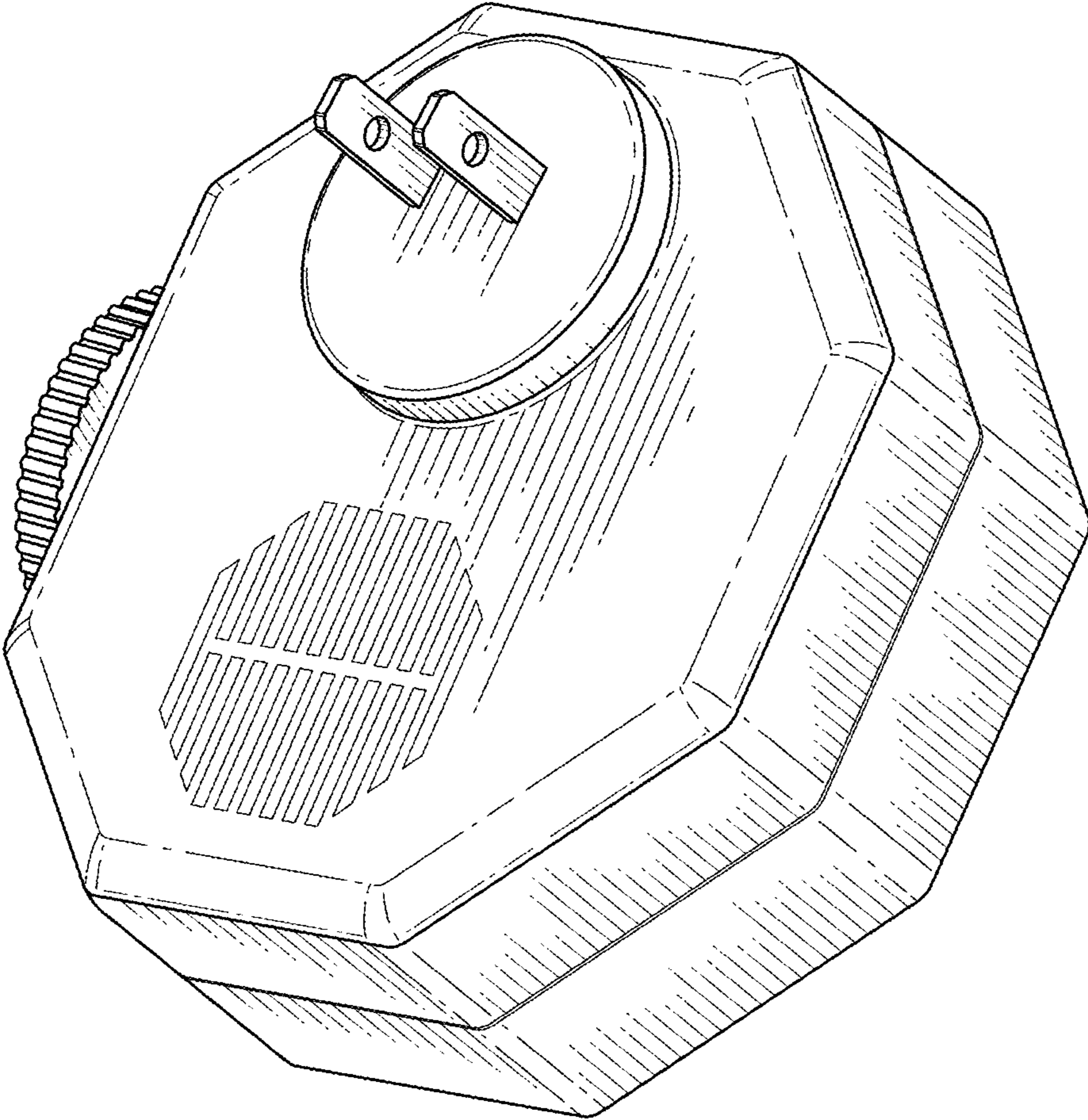


FIG. 2

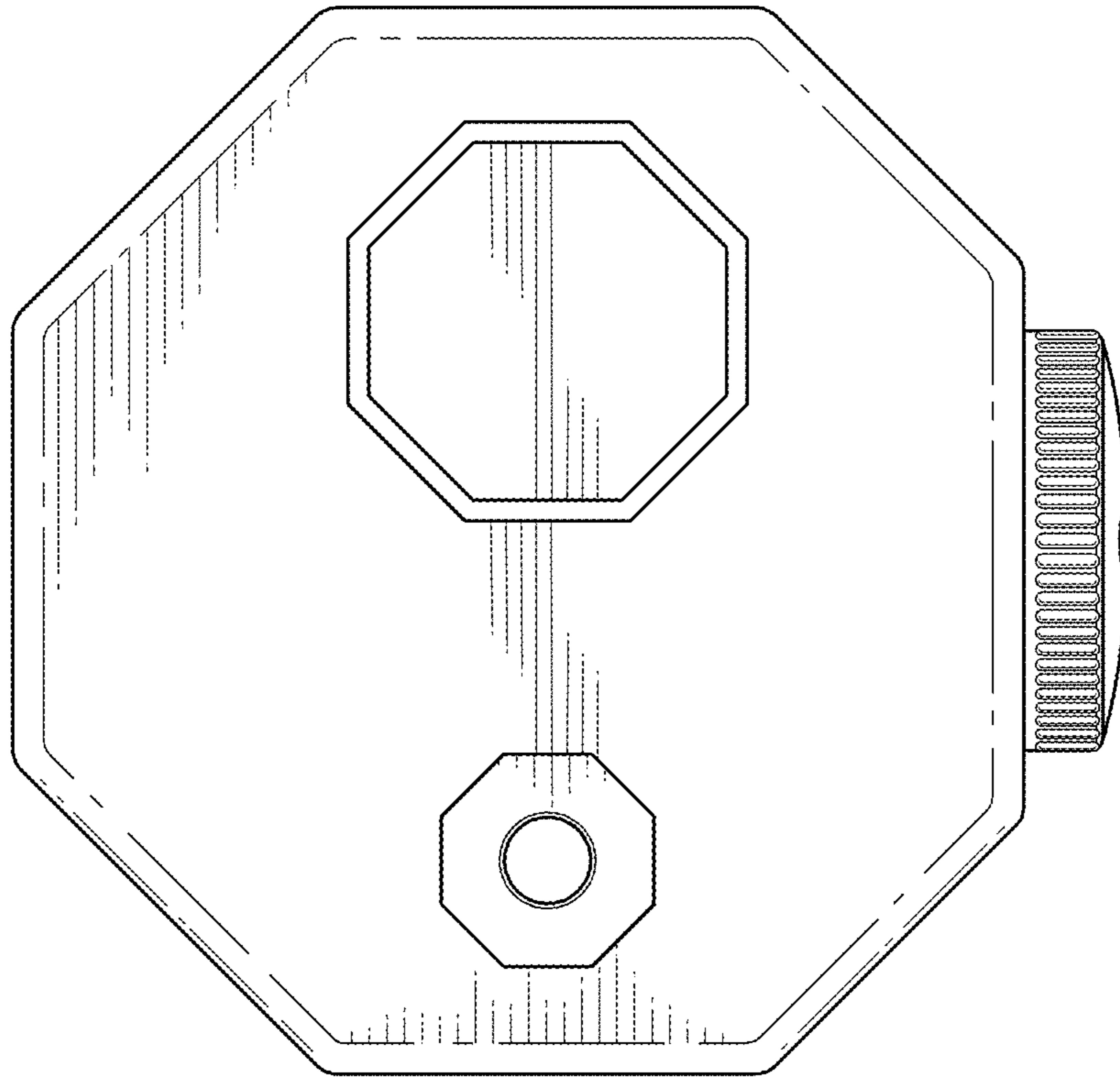


FIG. 3

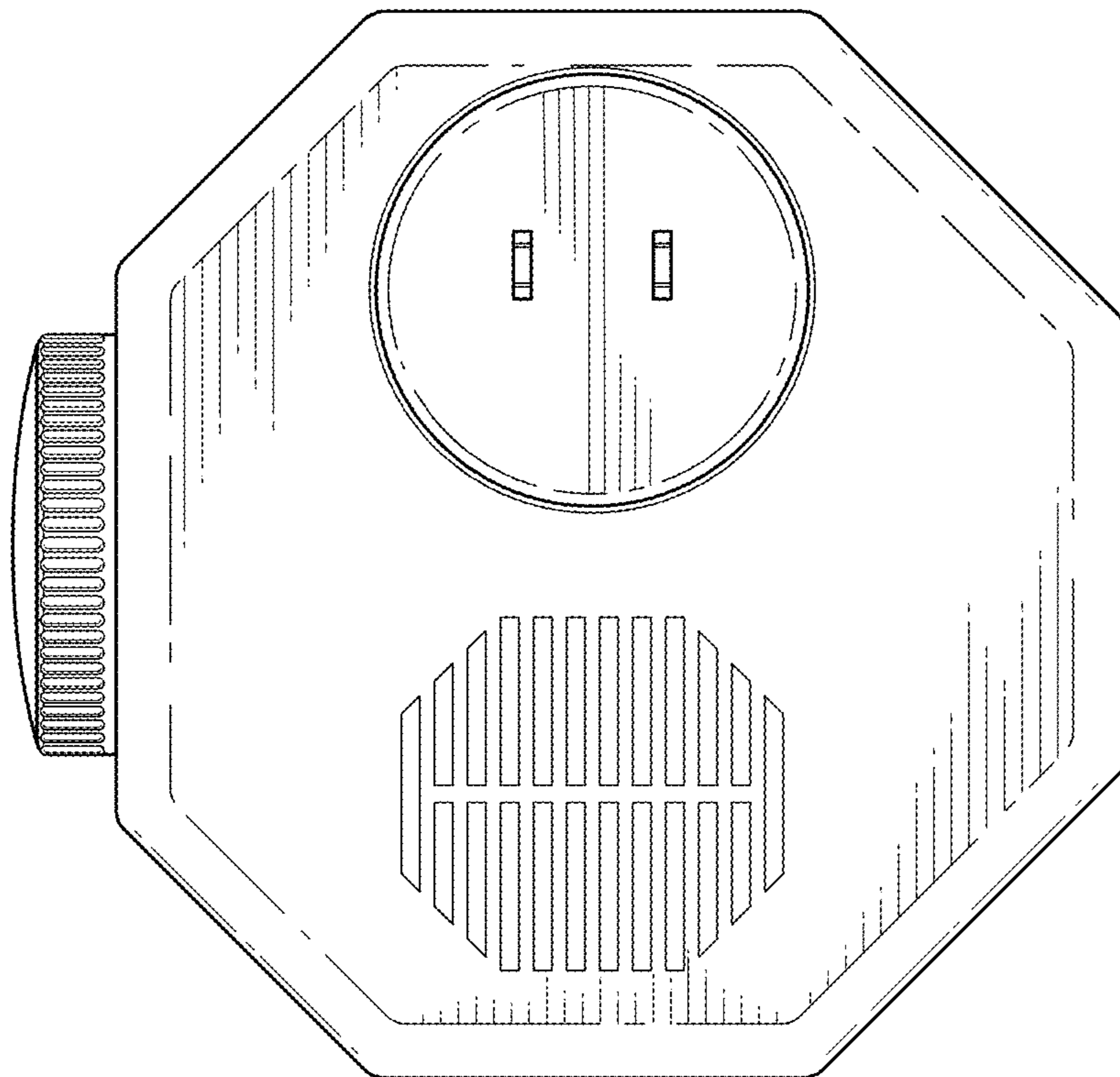


FIG. 4

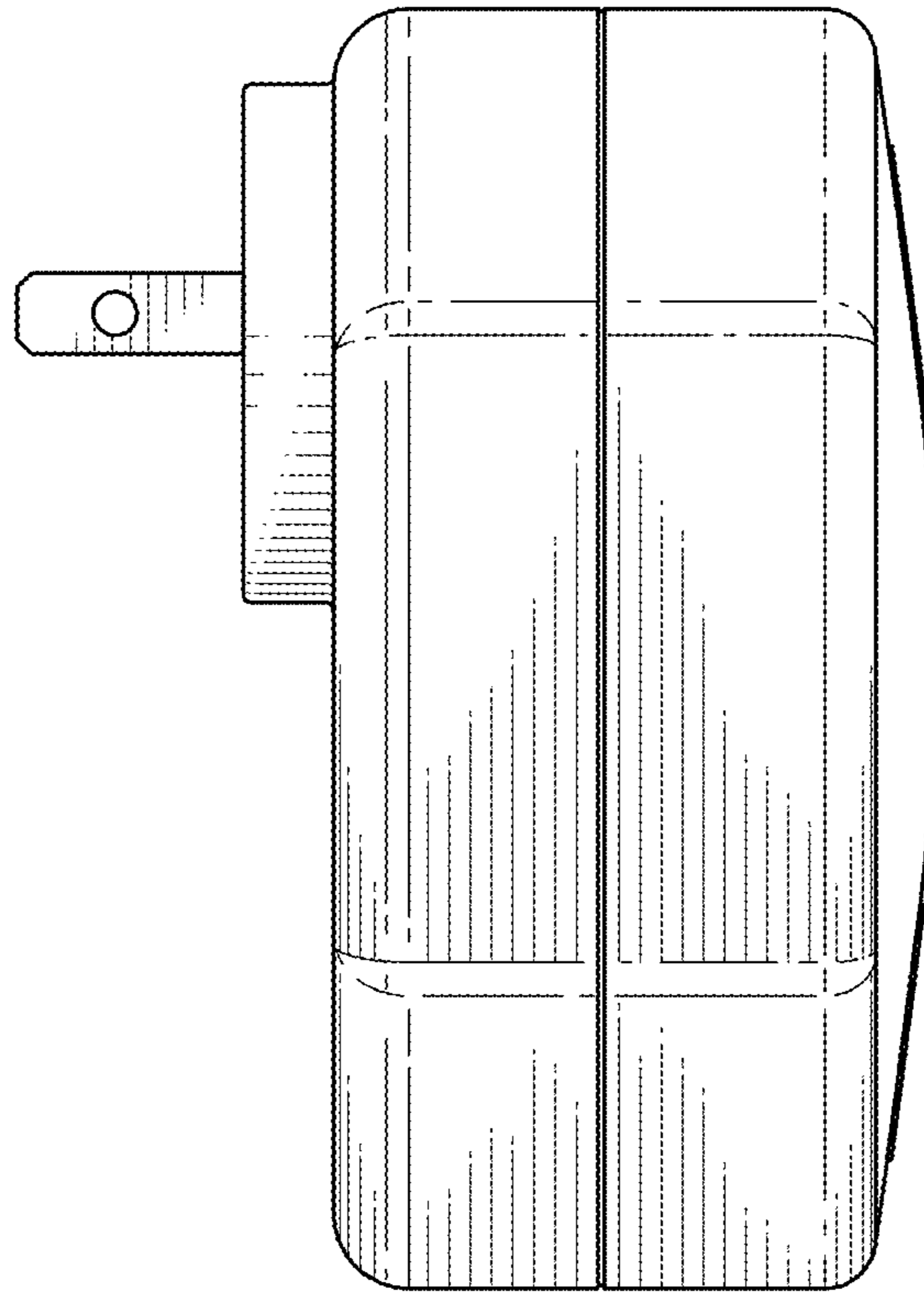


FIG. 5

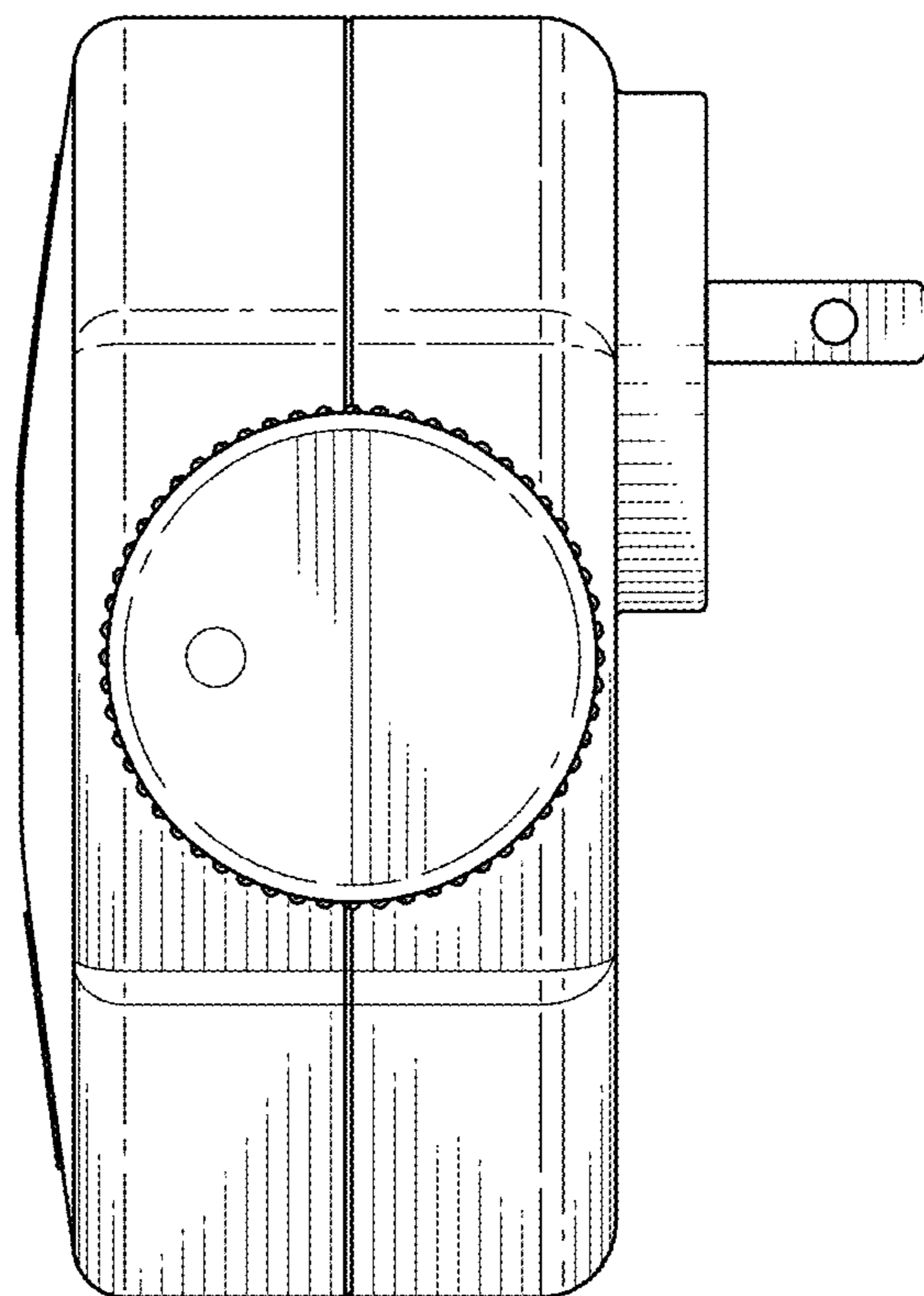


FIG. 6

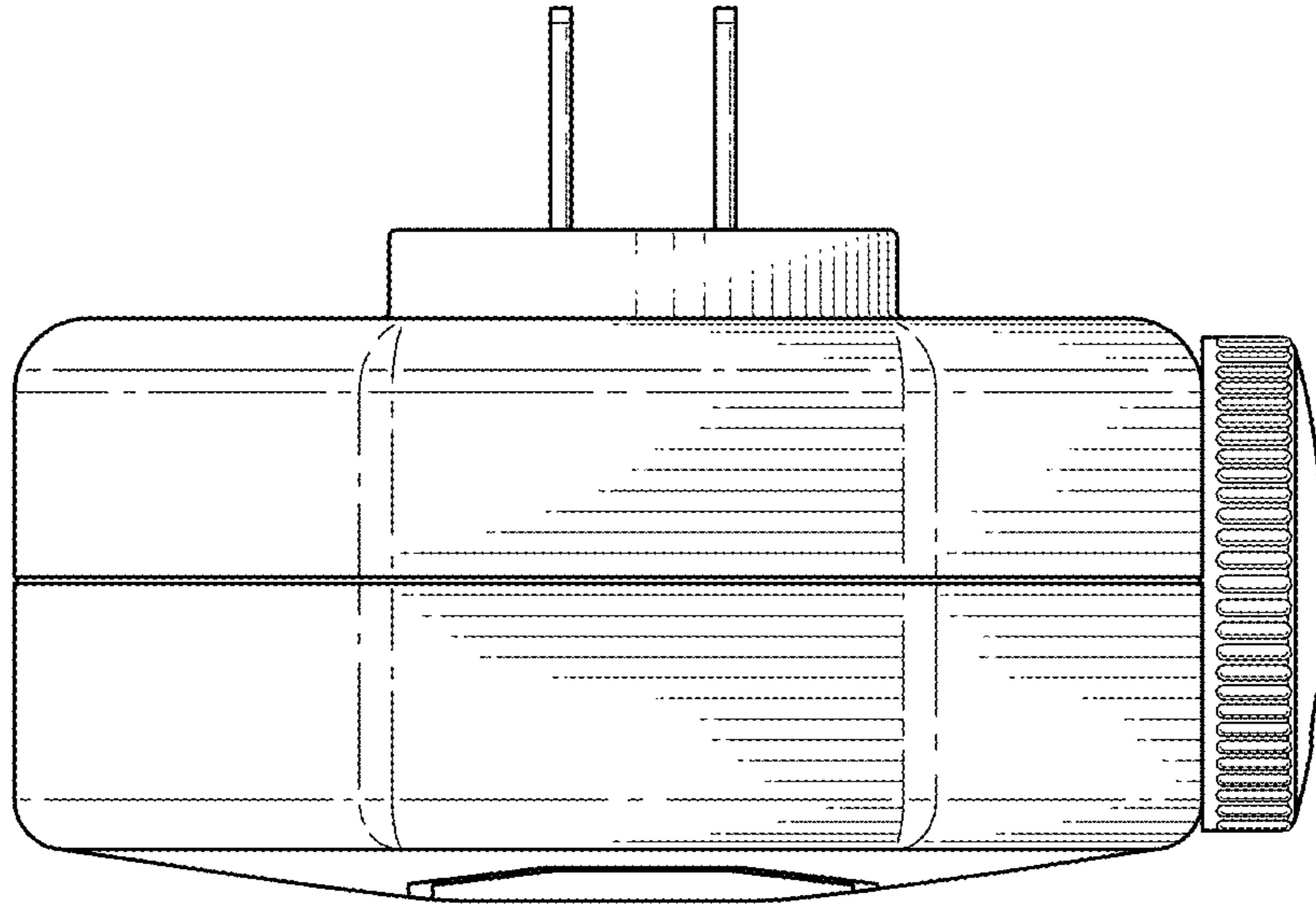


FIG. 7

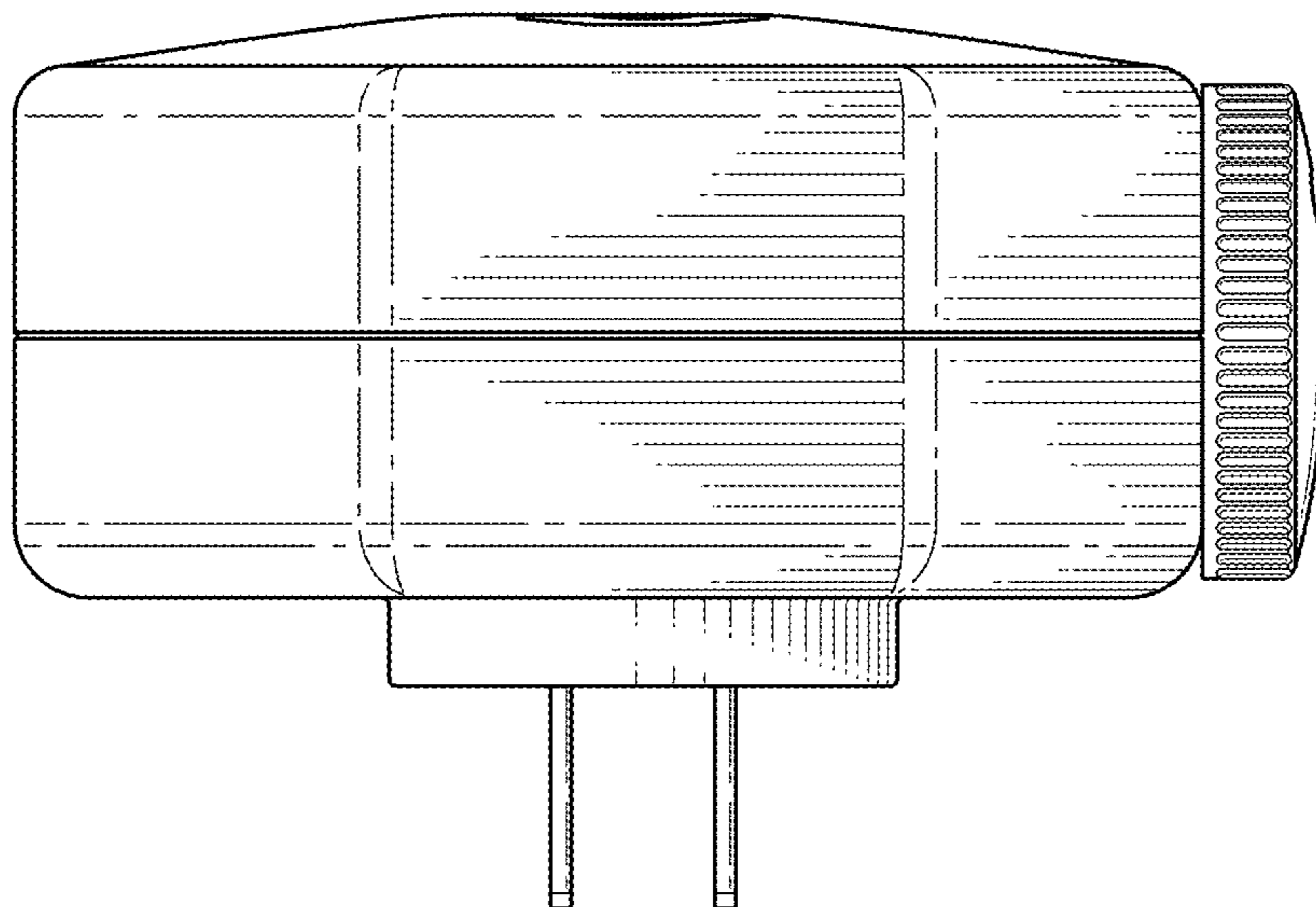


FIG. 8