

US00D960343S

(12) **United States Design Patent**
Chang

(10) **Patent No.:** **US D960,343 S**

(45) **Date of Patent:** **** Aug. 9, 2022**

(54) **OZONE MACHINE**

(71) Applicant: **OURONG ENVIRONMENTAL TECHNOLOGY (SHENZHEN) CO., LTD.**, Shenzhen (CN)

(72) Inventor: **Jerry Chang**, Shenzhen (CN)

(73) Assignee: **OURONG ENVIRONMENTAL TECHNOLOGY (SHENZHEN) CO., LTD.**, Shenzhen (CN)

(**) Term: **15 Years**

(21) Appl. No.: **29/708,604**

(22) Filed: **Oct. 8, 2019**

(30) **Foreign Application Priority Data**

Apr. 12, 2019 (CN) 201930167023.5

(51) **LOC (13) Cl.** **23-04**

(52) **U.S. Cl.**
USPC **D23/366**

(58) **Field of Classification Search**
USPC D23/207, 355, 360, 364, 366; D24/217
CPC A61L 2/183; A61L 9/015; A61L 2209/212;
C02F 2201/782; C02F 2201/784; F24F
8/40

See application file for complete search history.

(56) **References Cited**

U.S. PATENT DOCUMENTS

D426,627 S *	6/2000	Cho	D23/366
D512,493 S *	12/2005	Haranaka	D23/355
D512,494 S *	12/2005	Haranaka	D23/355
D652,891 S *	1/2012	Choi	D23/207
D742,492 S *	11/2015	Robinson	D23/360
D752,178 S *	3/2016	Mjelde	D23/208
D763,407 S *	8/2016	Shin	D23/207
D763,423 S *	8/2016	Hewett	D23/355

D825,047 S *	8/2018	Brooks	D23/366
D854,705 S *	7/2019	Ouyang	D24/217
D883,511 S *	5/2020	Li	D24/217
D885,517 S *	5/2020	Cho	D23/207
D914,862 S *	3/2021	Makipaa	D23/364
D916,461 S *	4/2021	Chang	D3/294
D925,762 S *	7/2021	LaPorte	D24/217
D933,799 S *	10/2021	Cheng	D23/366
D935,587 S *	11/2021	Wu	D23/364
D943,725 S *	2/2022	Shalvi	D23/364

(Continued)

OTHER PUBLICATIONS

Airthereal B50-PRO Mini Ozone Generator, Aug. 15, 2018, Amazon, site visited May 25, 2022: <https://www.amazon.com/dp/B07CYKGXMC/> (Year: 2018).*

(Continued)

Primary Examiner — Jack Reickel

Assistant Examiner — Bobby W Jones, II

(74) *Attorney, Agent, or Firm* — Thomas Horstemeyer, LLP

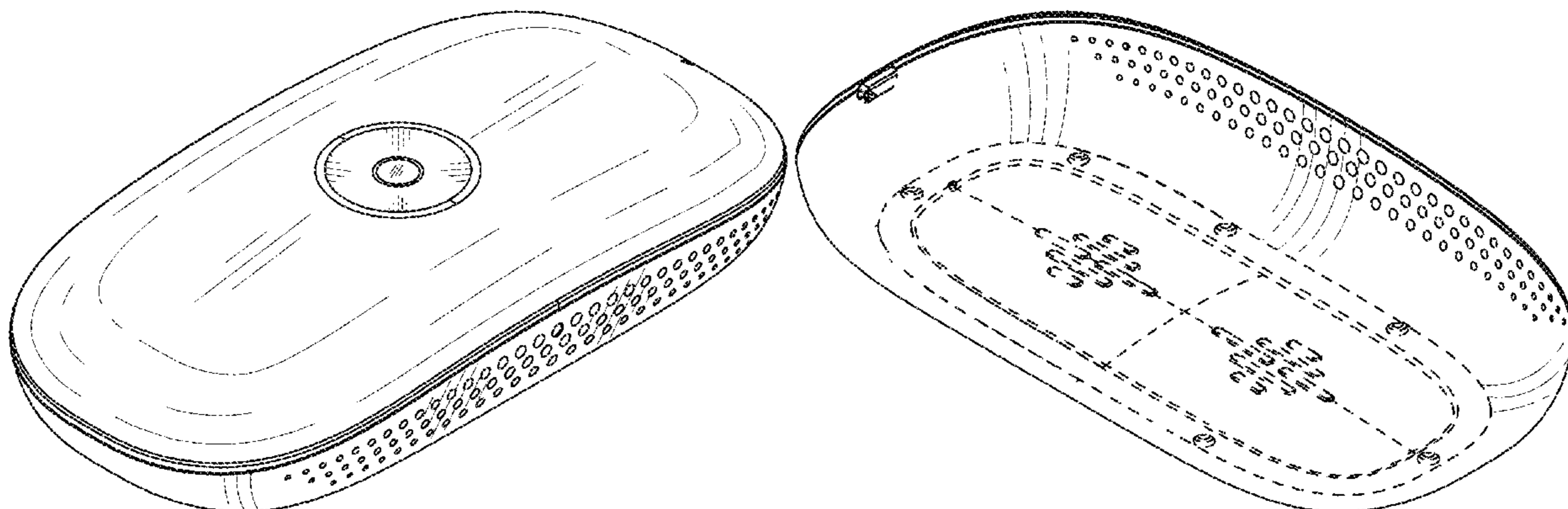
(57) **CLAIM**

The ornamental design for an ozone machine, as shown and described.

DESCRIPTION

FIG. 1 is a front view of the design for an ozone machine; FIG. 2 is a rear view thereof; FIG. 3 is a left view thereof; FIG. 4 is a right view thereof; FIG. 5 is a top view thereof; FIG. 6 is a bottom view thereof; FIG. 7 is a top perspective view thereof; and, FIG. 8 is a bottom perspective view thereof. The broken lines depict unclaimed parts of the ozone machine, and thus form no part of the claimed design.

1 Claim, 4 Drawing Sheets



(56)

References Cited

U.S. PATENT DOCUMENTS

2011/0030560 A1* 2/2011 Bohlen A61L 9/22
96/57
2017/0202993 A1* 7/2017 Huang A61L 2/202
2020/0093948 A1* 3/2020 Miko A61L 2/202
2020/0325019 A1* 10/2020 Chang C01B 13/115
2020/0405901 A1* 12/2020 Saccardo F24F 8/26
2022/0096692 A1* 3/2022 Dutra A61L 2/22

OTHER PUBLICATIONS

Greentech Environmental pureAir 50, Aug. 30, 2019, Amazon, site
visited May 25, 2022: <https://www.amazon.com/dp/B01F9NBNSK/>
(Year: 2019).*

* cited by examiner

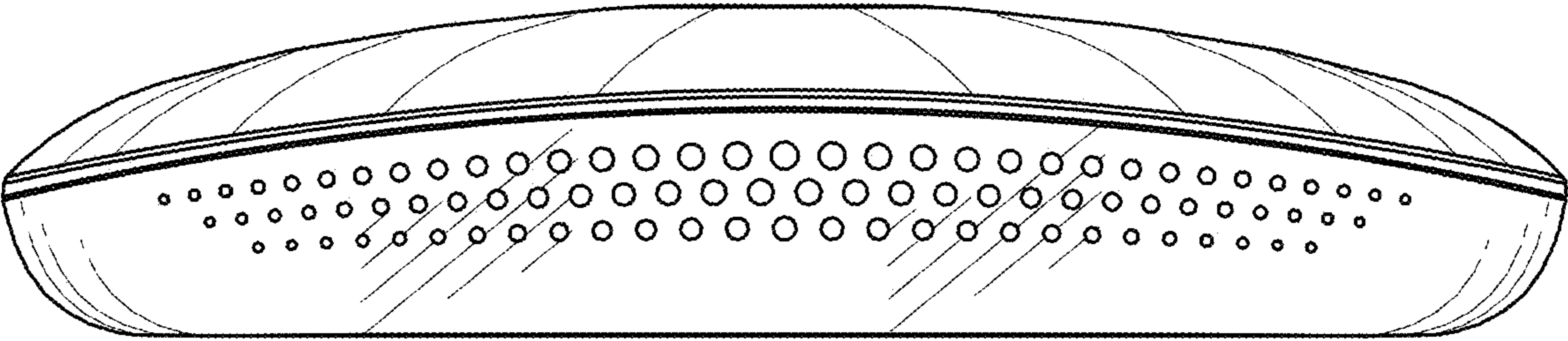


FIG. 1

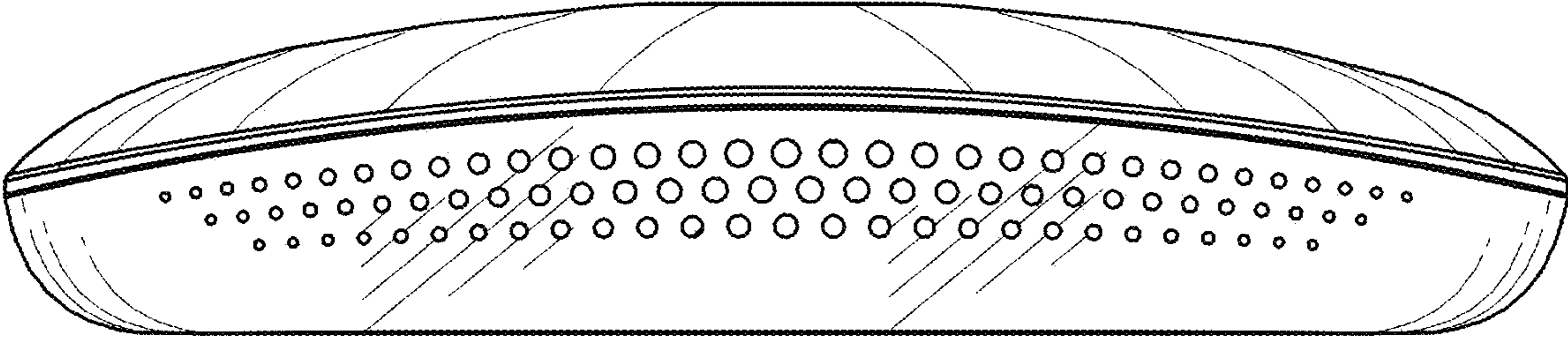


FIG. 2

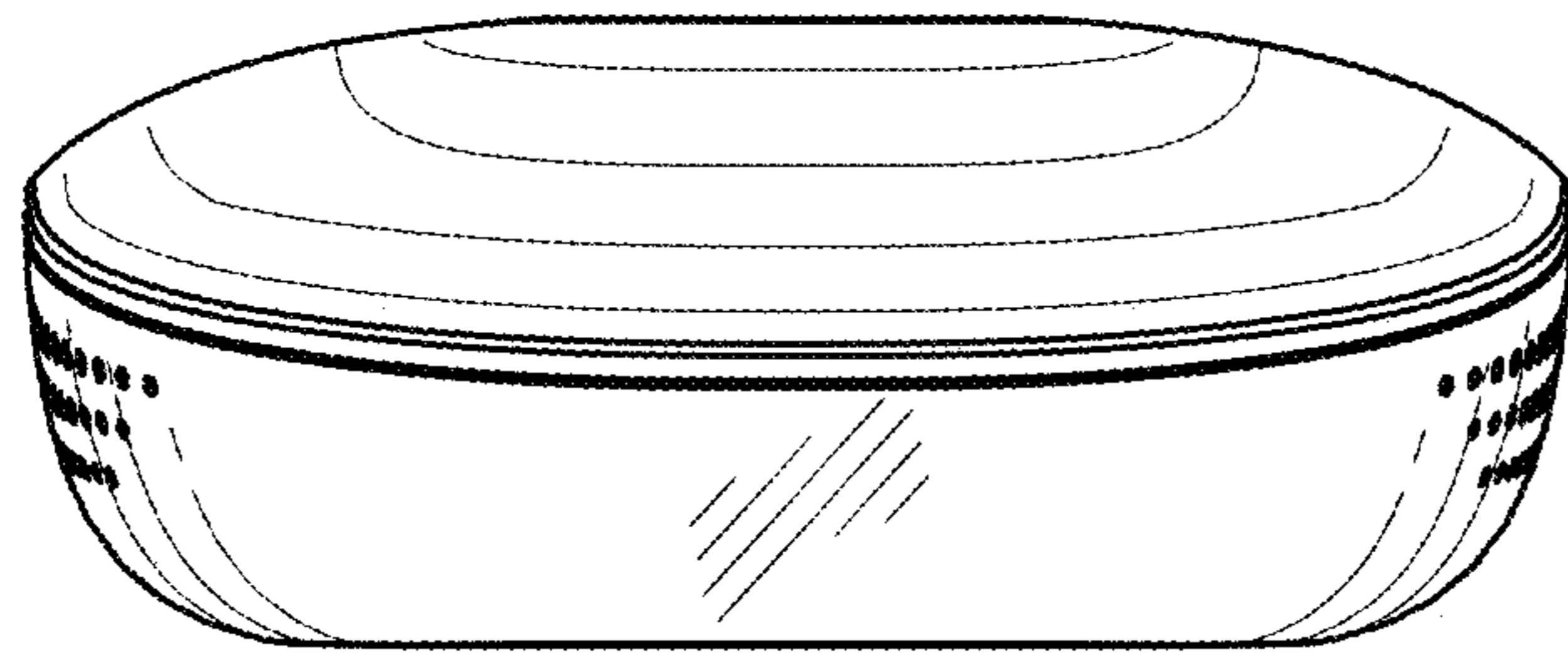


FIG. 3

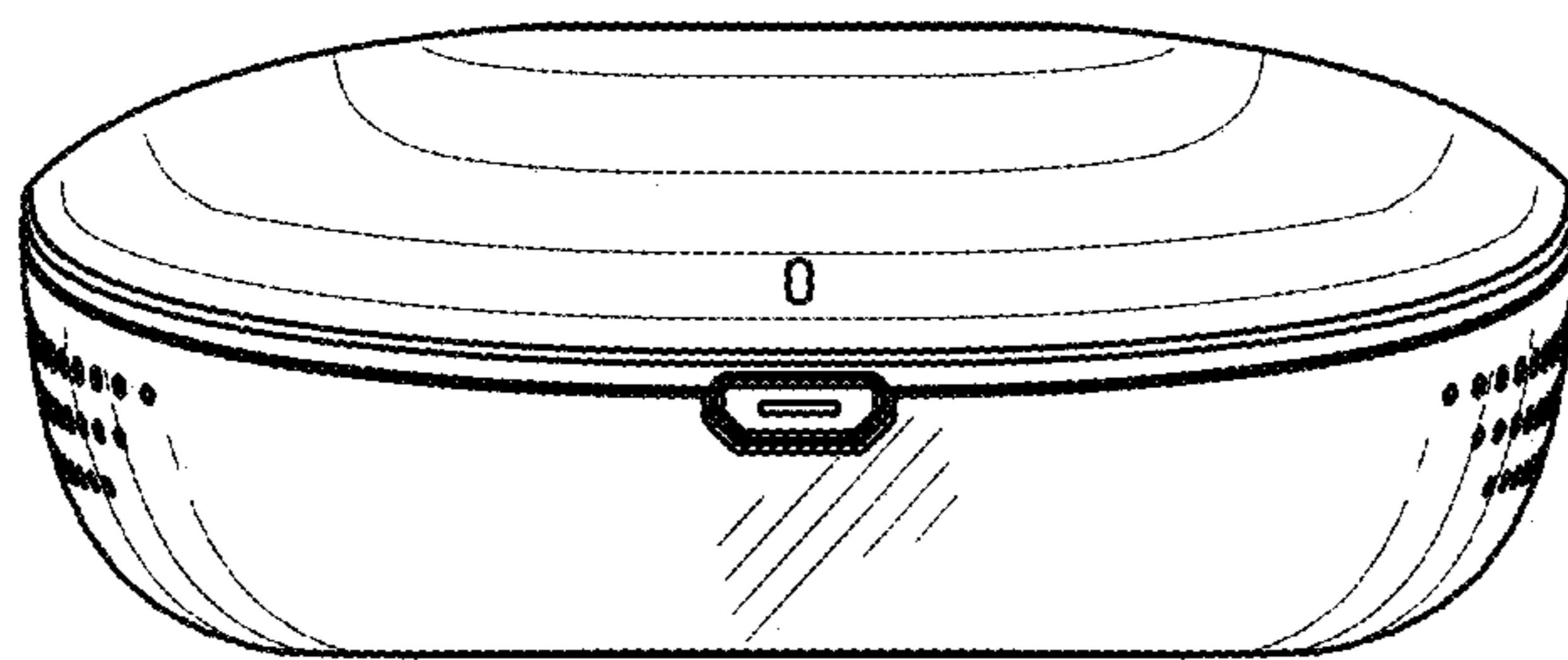


FIG. 4

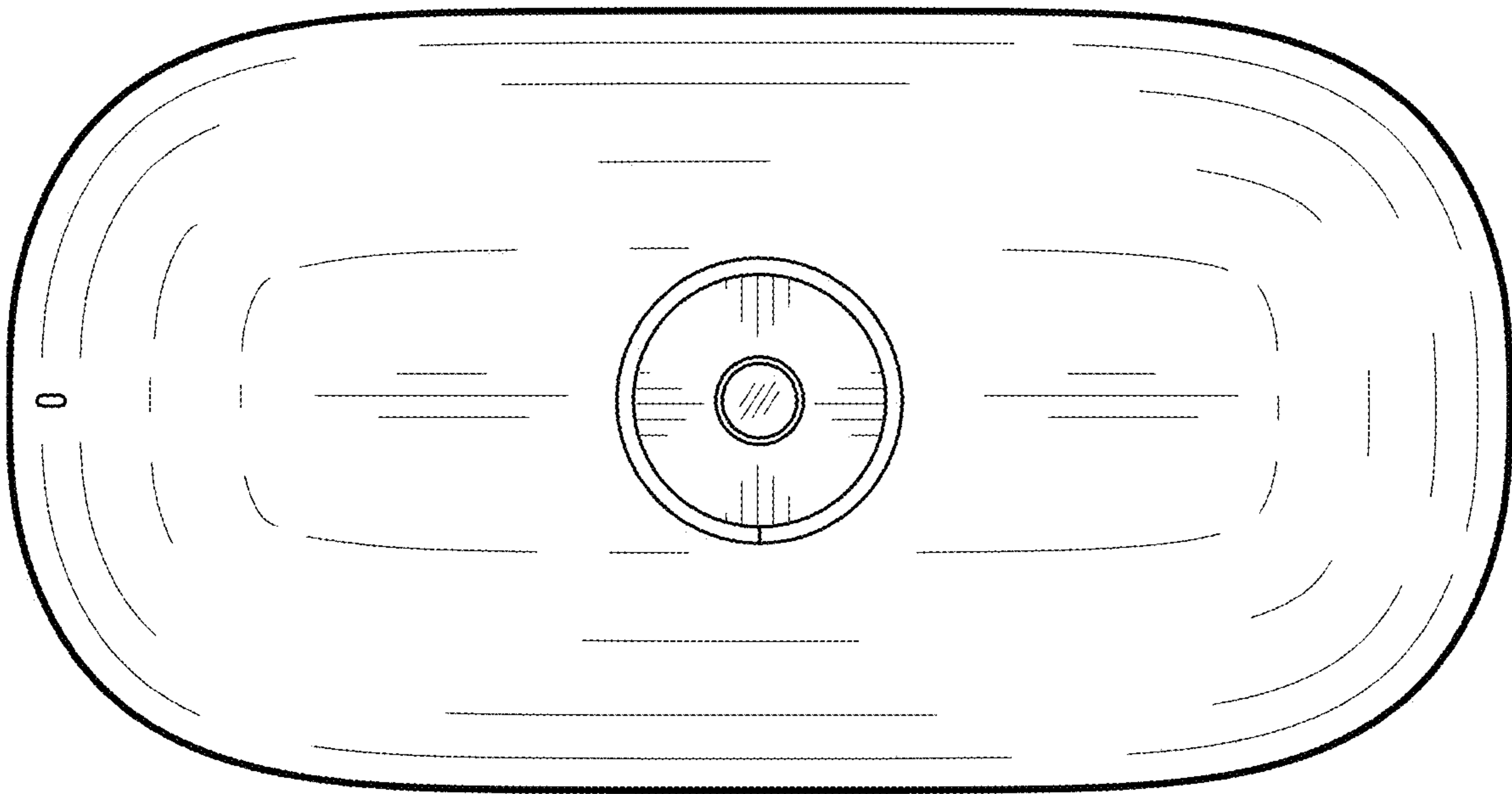


FIG. 5

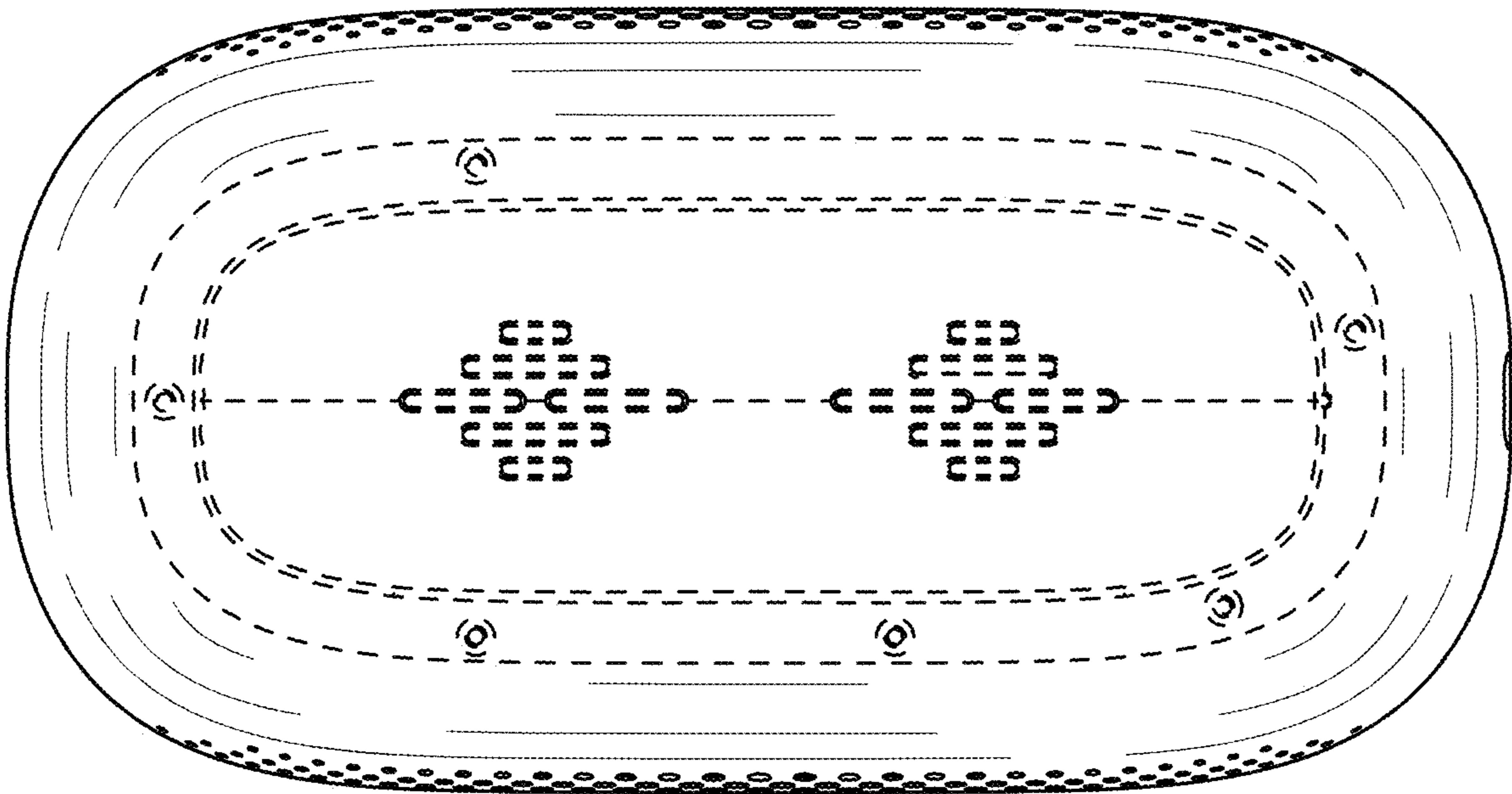


FIG. 6

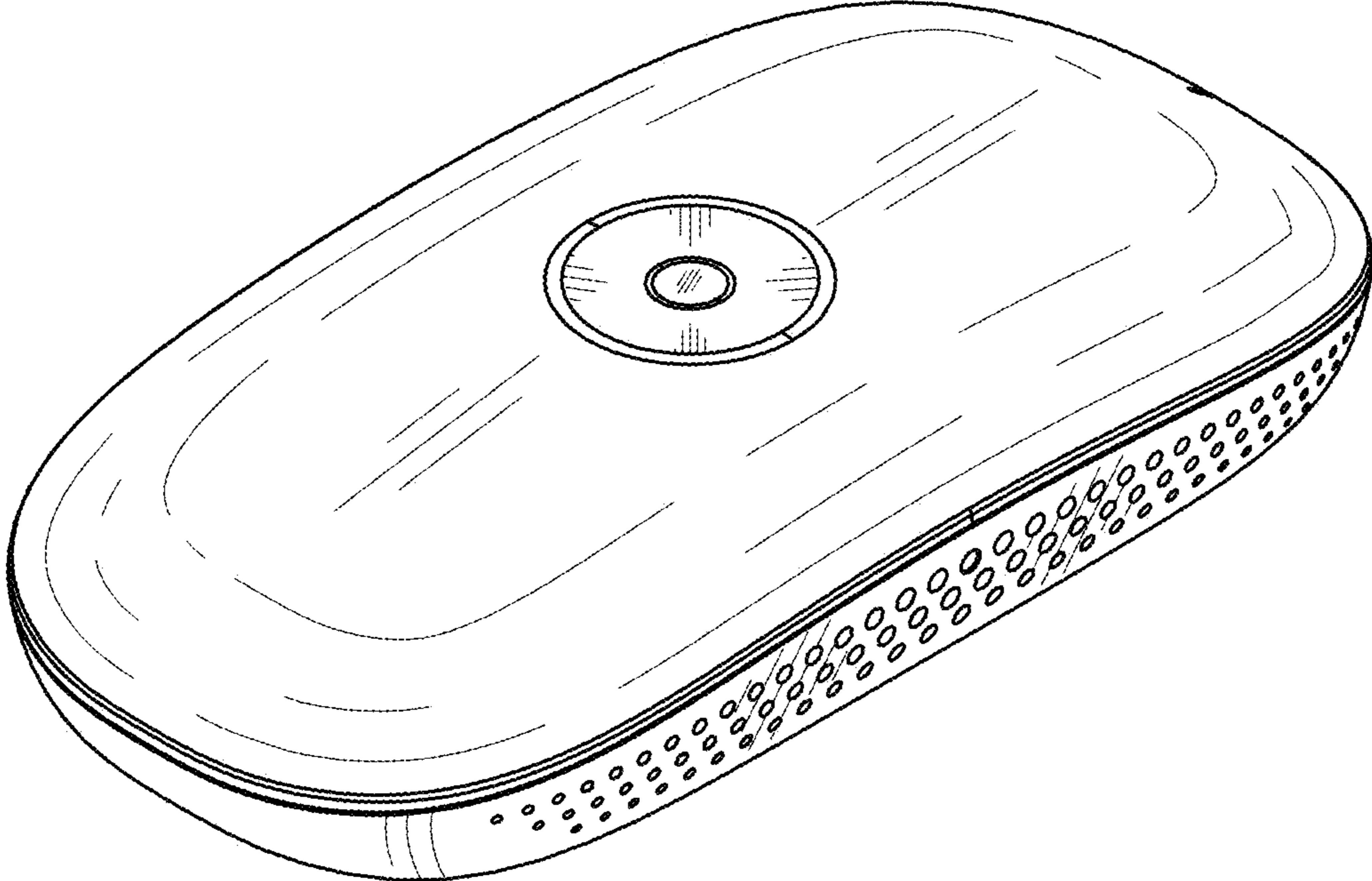


FIG. 7

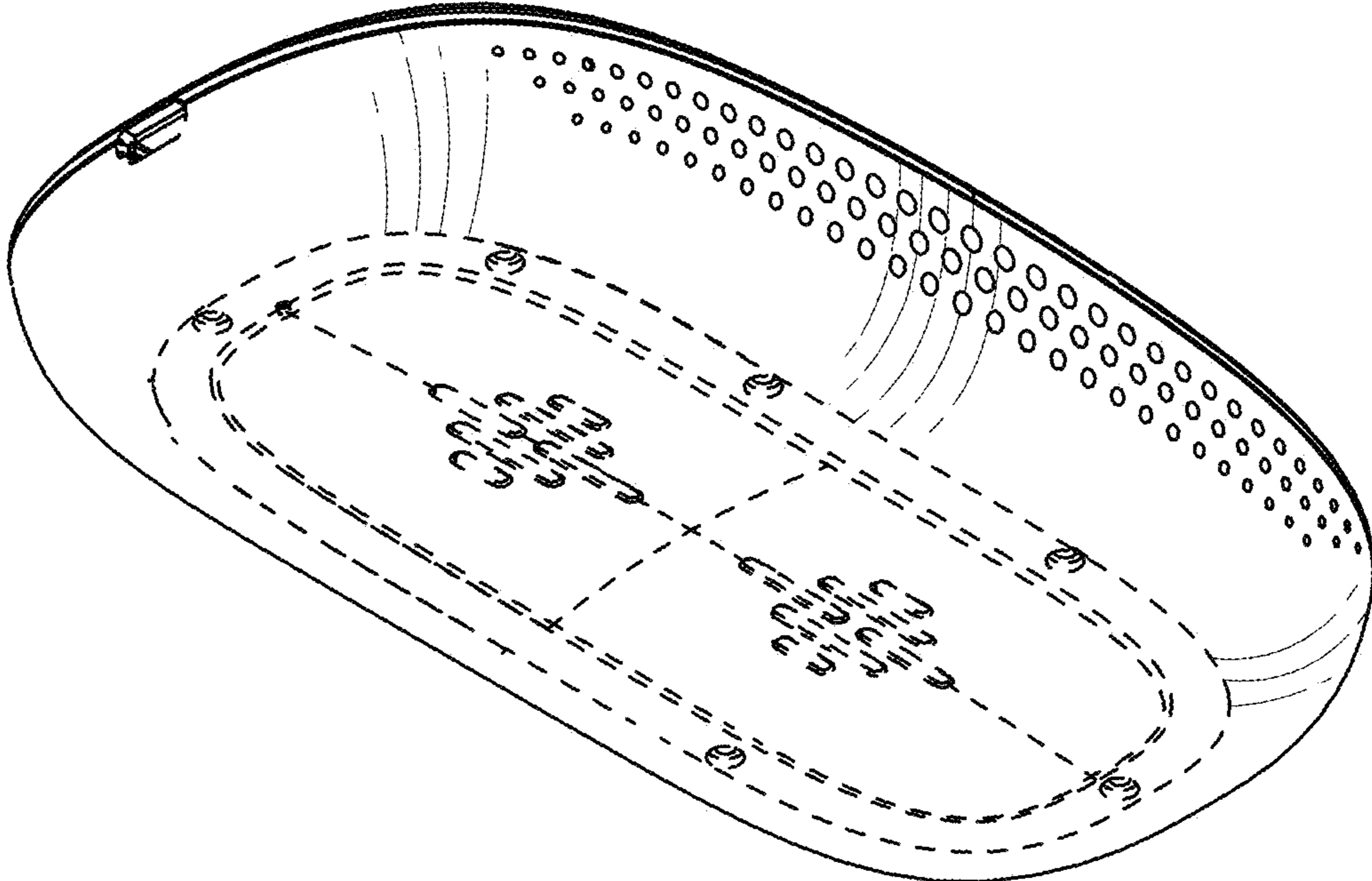


FIG. 8