



US00D960342S

(12) **United States Design Patent** (10) **Patent No.:** **US D960,342 S**
Seidl (45) **Date of Patent:** **** Aug. 9, 2022**

(54) **AIR CLEANING APPARATUS**
(71) Applicant: **Wintersteiger AG**, Ried im Innkreis (AT)
(72) Inventor: **Andreas Seidl**, Altach (AT)
(73) Assignee: **Wintersteiger AG**, Ried im Innkreis (AT)
(**) Term: **15 Years**
(21) Appl. No.: **35/510,778**
(22) Filed: **Nov. 5, 2020**

(80) **Hague Agreement Data**

Int. Filing Date: **Nov. 5, 2020**
Int. Reg. No.: **DM/211185**
Int. Reg. Date: **Nov. 5, 2020**
Int. Reg. Pub. Date: **Nov. 20, 2020**

(51) **LOC (13) Cl.** **23-04**
(52) **U.S. Cl.**
USPC **D23/364**
(58) **Field of Classification Search**
USPC D23/355, 356, 359, 364, 370, 386
CPC B01D 46/00; B01D 46/0002; A61L 9/00
See application file for complete search history.

(56) **References Cited**

U.S. PATENT DOCUMENTS

D344,328 S * 2/1994 Price D23/365
D517,181 S * 3/2006 Kang D23/356
D618,328 S * 6/2010 Chan D23/364
D745,129 S * 12/2015 Nakagawa D23/364
D799,016 S * 10/2017 Su D23/364
D800,882 S * 10/2017 Ansley D23/364
D804,001 S * 11/2017 Cartwright D23/355
D835,765 S * 12/2018 Chen D23/364

D862,673 S * 10/2019 Tang D23/364
D862,674 S * 10/2019 Shin D23/364
D864,369 S * 10/2019 Gallet D23/365
D865,147 S * 10/2019 Huang D23/355
D865,149 S * 10/2019 Lin D23/364
D868,231 S * 11/2019 Ching D23/355
D905,840 S * 12/2020 Cao D23/364
D922,554 S * 6/2021 Qin D23/356
D933,797 S * 10/2021 Liu D23/364
D933,798 S * 10/2021 Wang D23/364
11,207,632 B2 * 12/2021 Reichter B01D 46/0005
2017/0209825 A1 * 7/2017 Huang B01D 47/022
2019/0201827 A1 * 7/2019 Haubold B01D 46/002
2021/0354069 A1 * 11/2021 Louison B01D 46/24

* cited by examiner

Primary Examiner — Michael A. Pratt
(74) *Attorney, Agent, or Firm* — Burr & Brown, PLLC

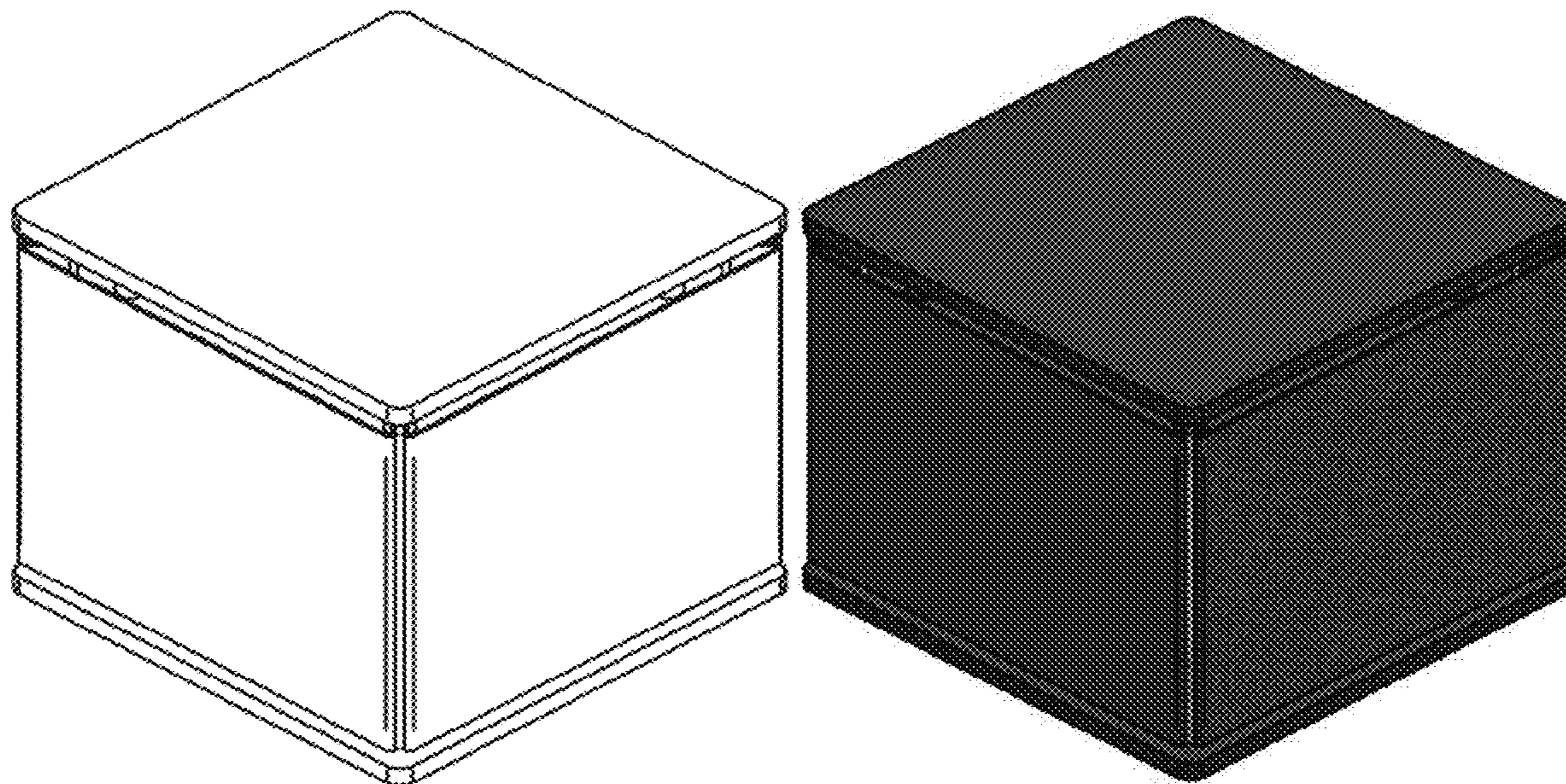
(57) **CLAIM**

The ornamental design for air cleaning apparatus, as shown and described.

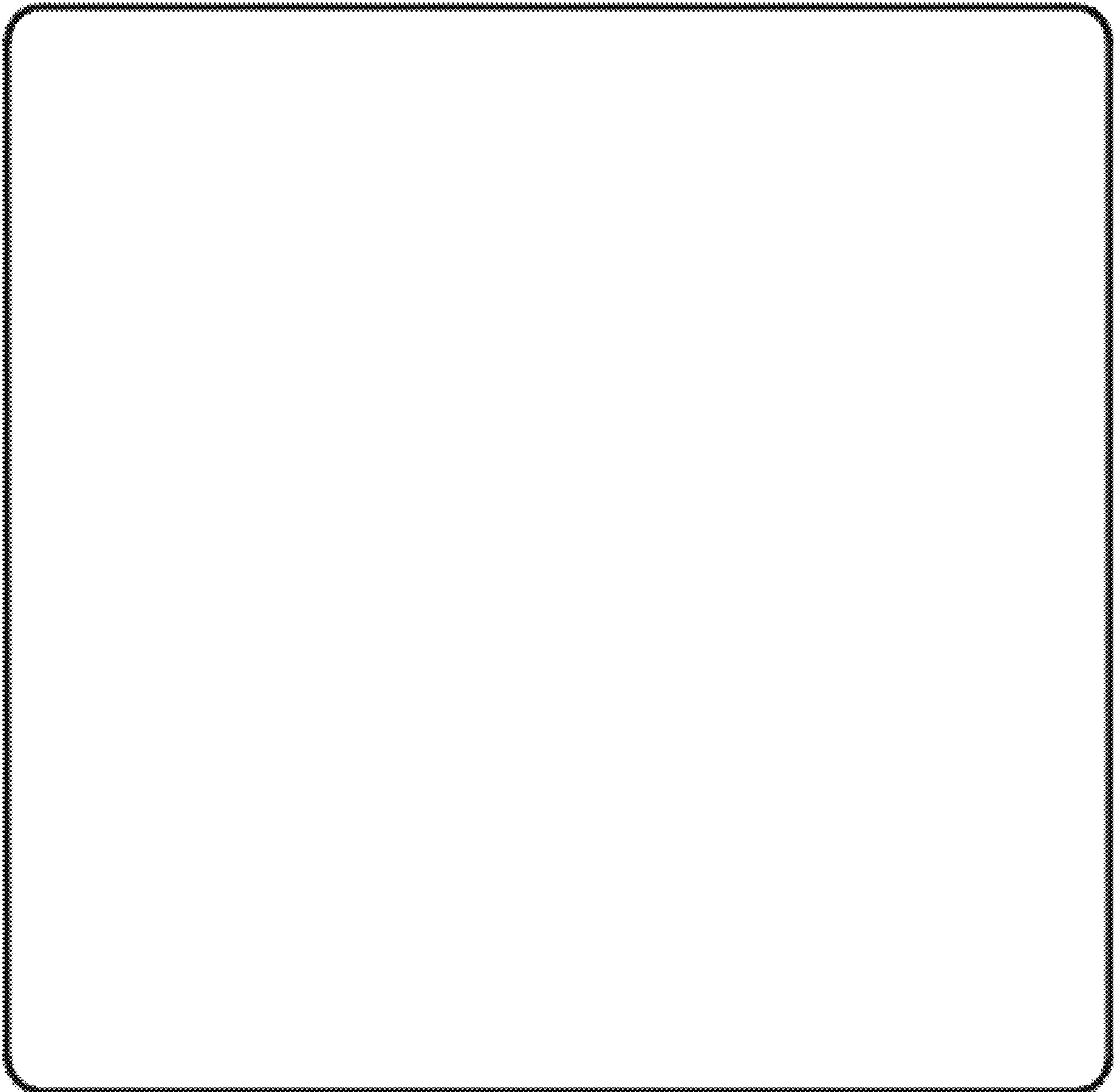
DESCRIPTION

- 1.-2. Air cleaning apparatus
- 1.1 : Top
- 1.2 : Perspective
- 1.3 : Front
- 1.4 : Back
- 1.5 : Left
- 1.6 : Right
- 1.7 : Bottom
- 2.1 : Top
- 2.2 : Perspective
- 2.3 : Front
- 2.4 : Back
- 2.5 : Left
- 2.6 : Right
- 2.7 : Bottom

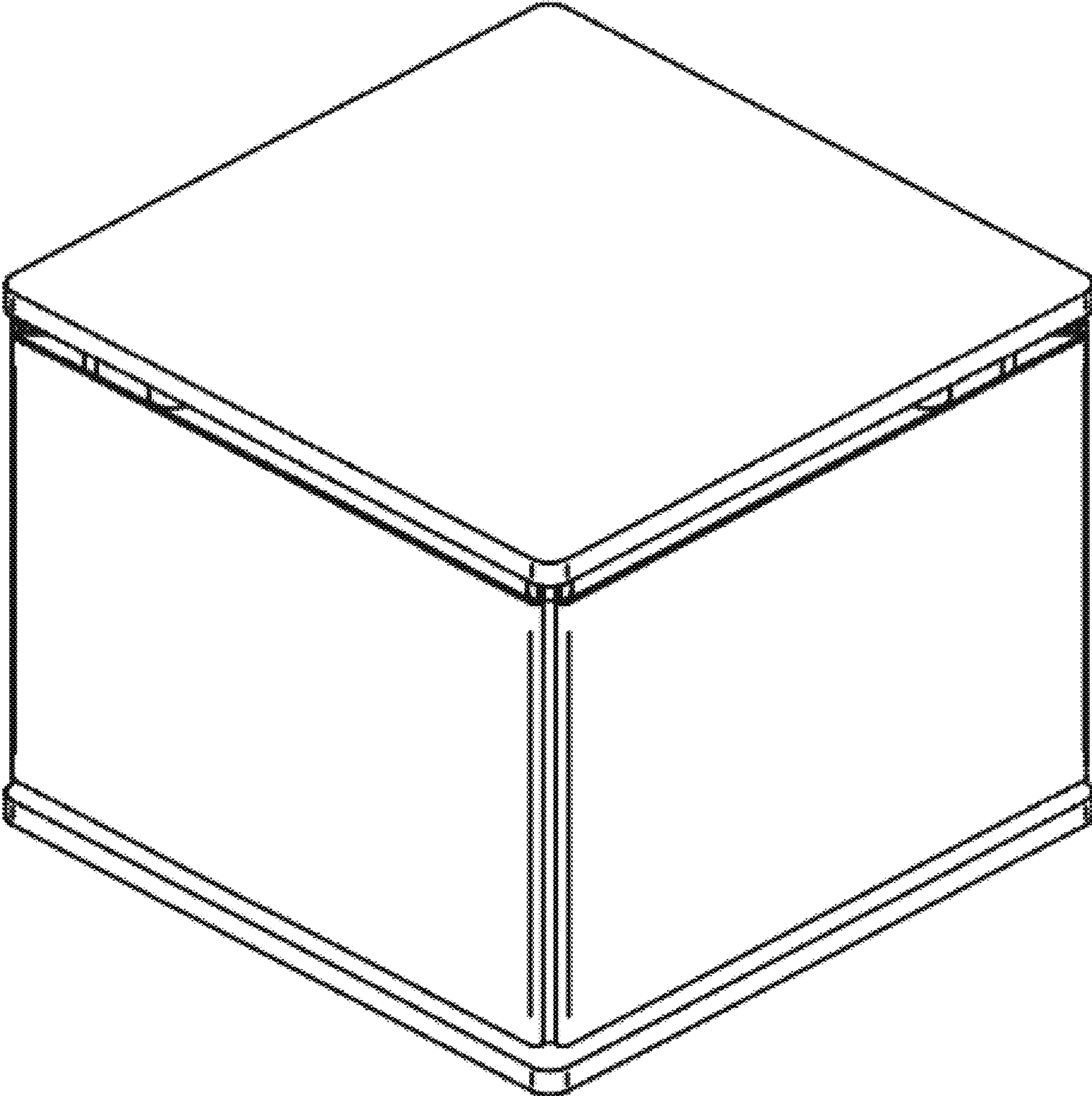
1 Claim, 14 Drawing Sheets



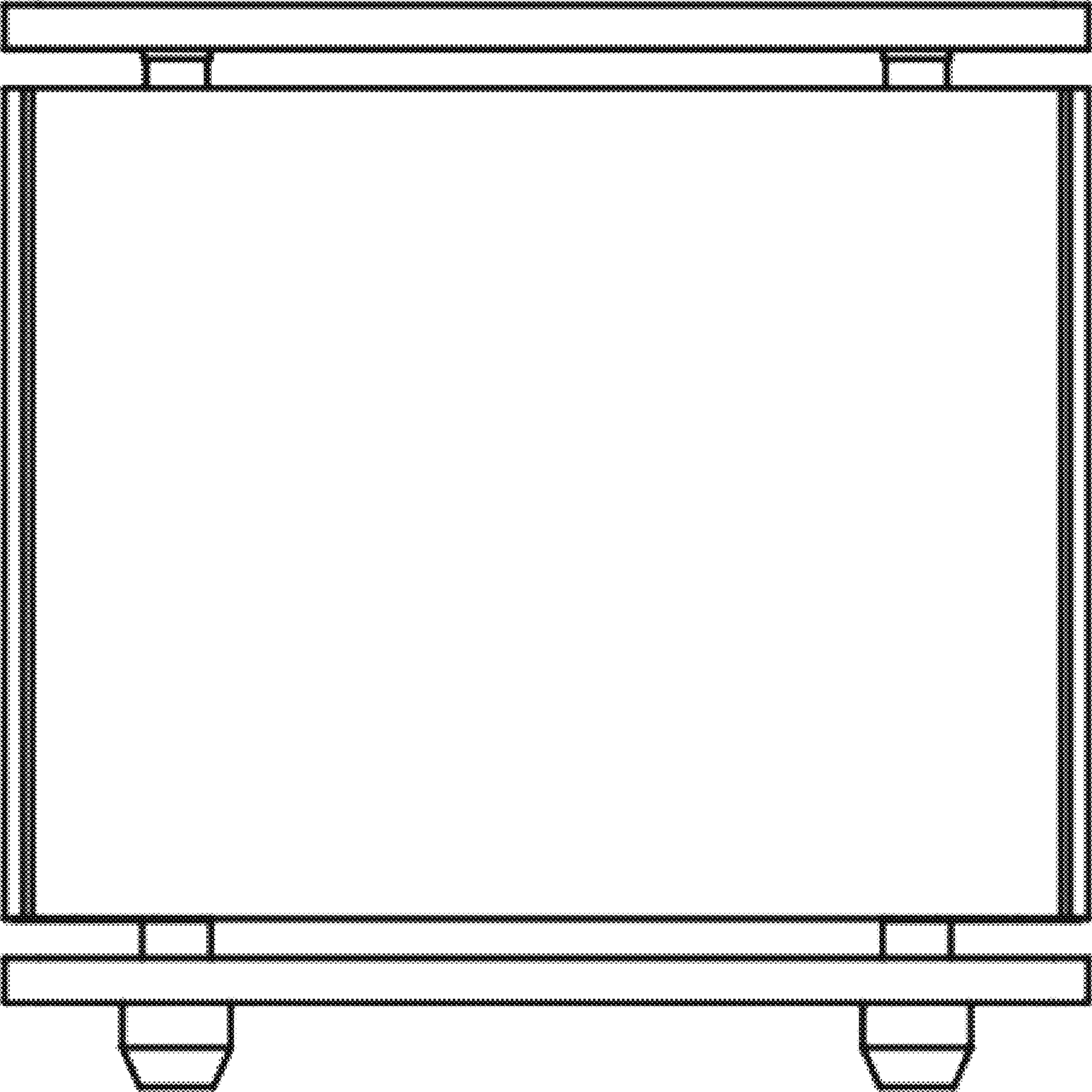
1.1



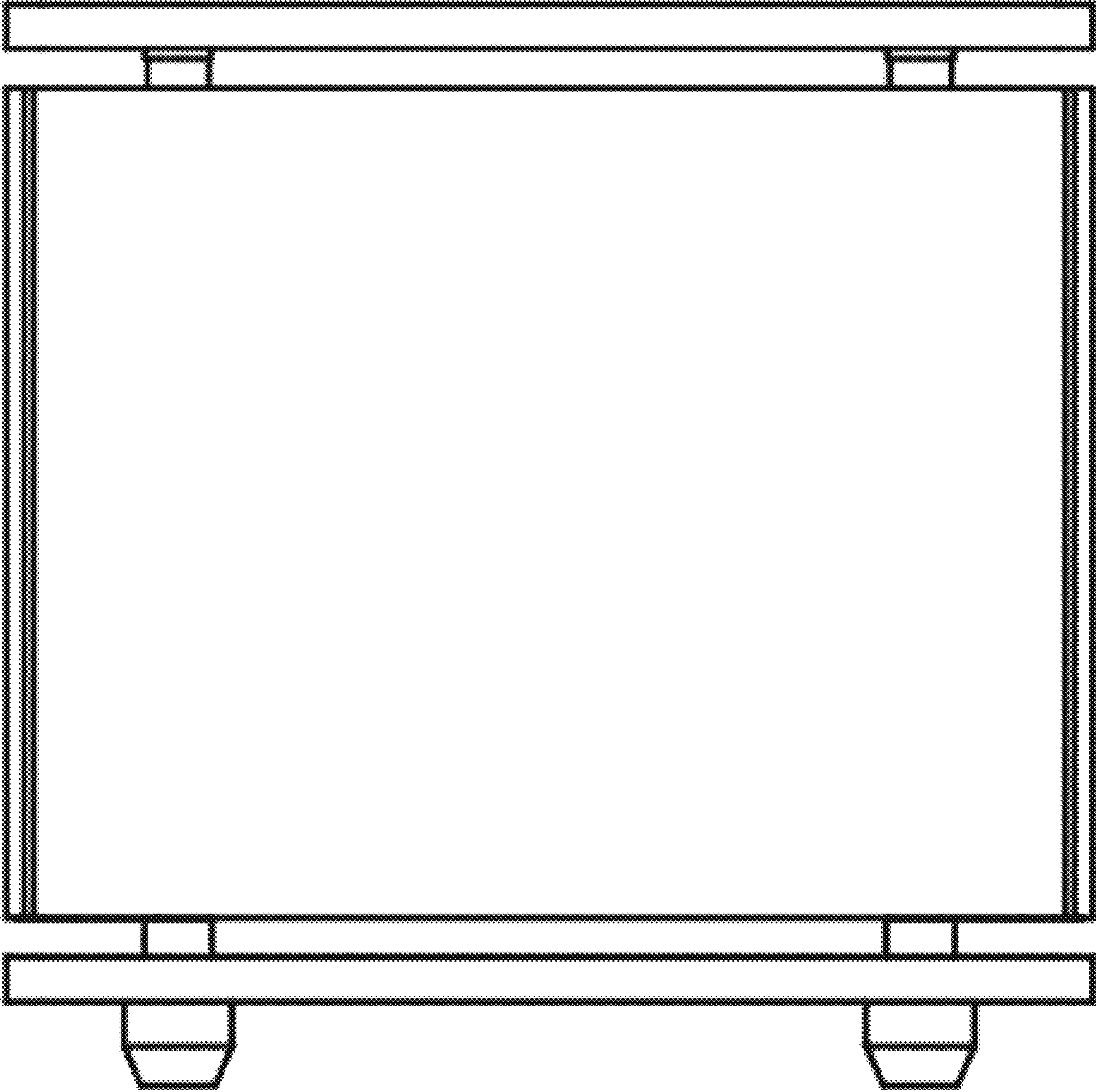
1.2



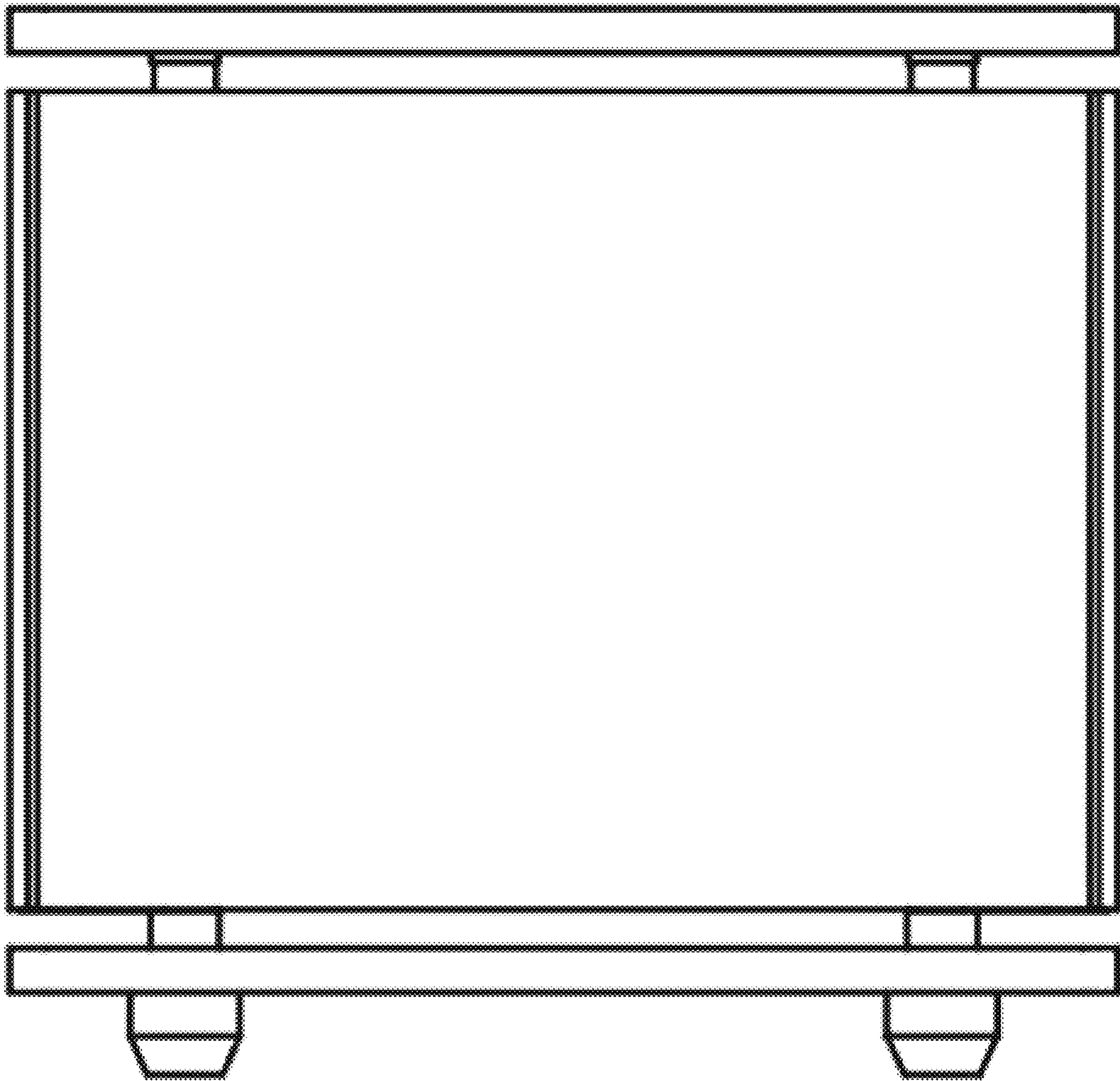
1.3



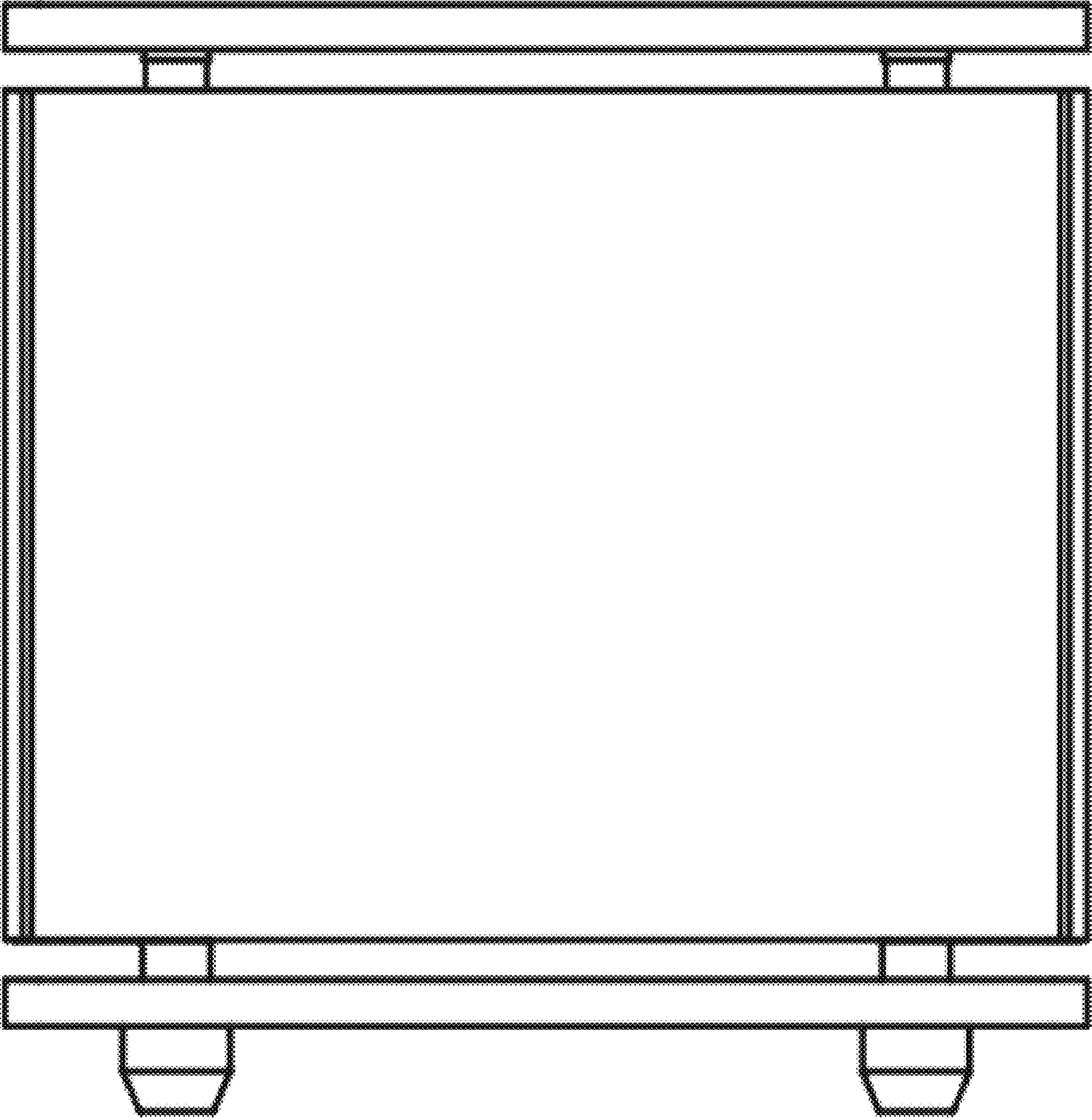
1.4



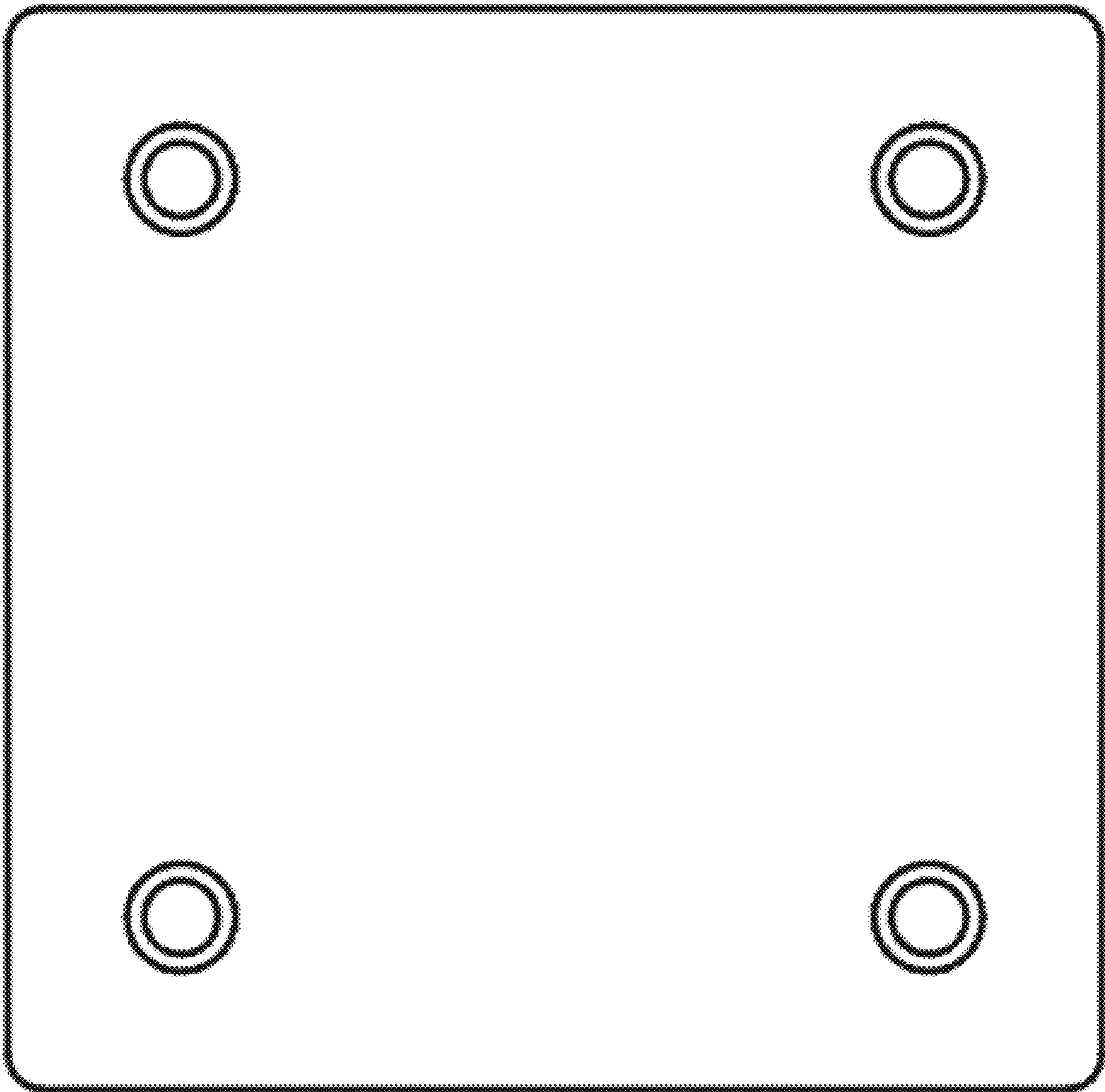
1.5



1.6



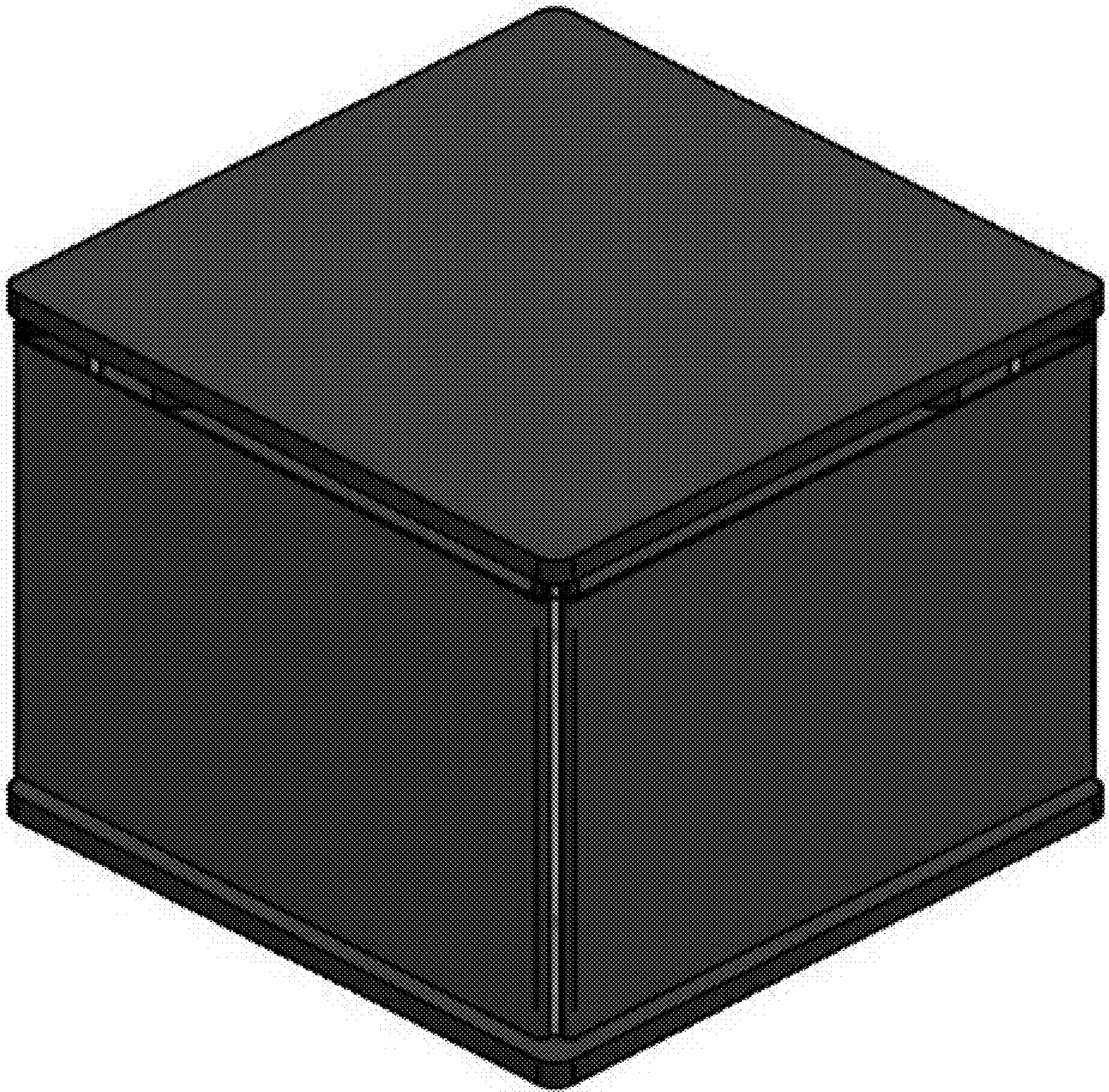
1.7



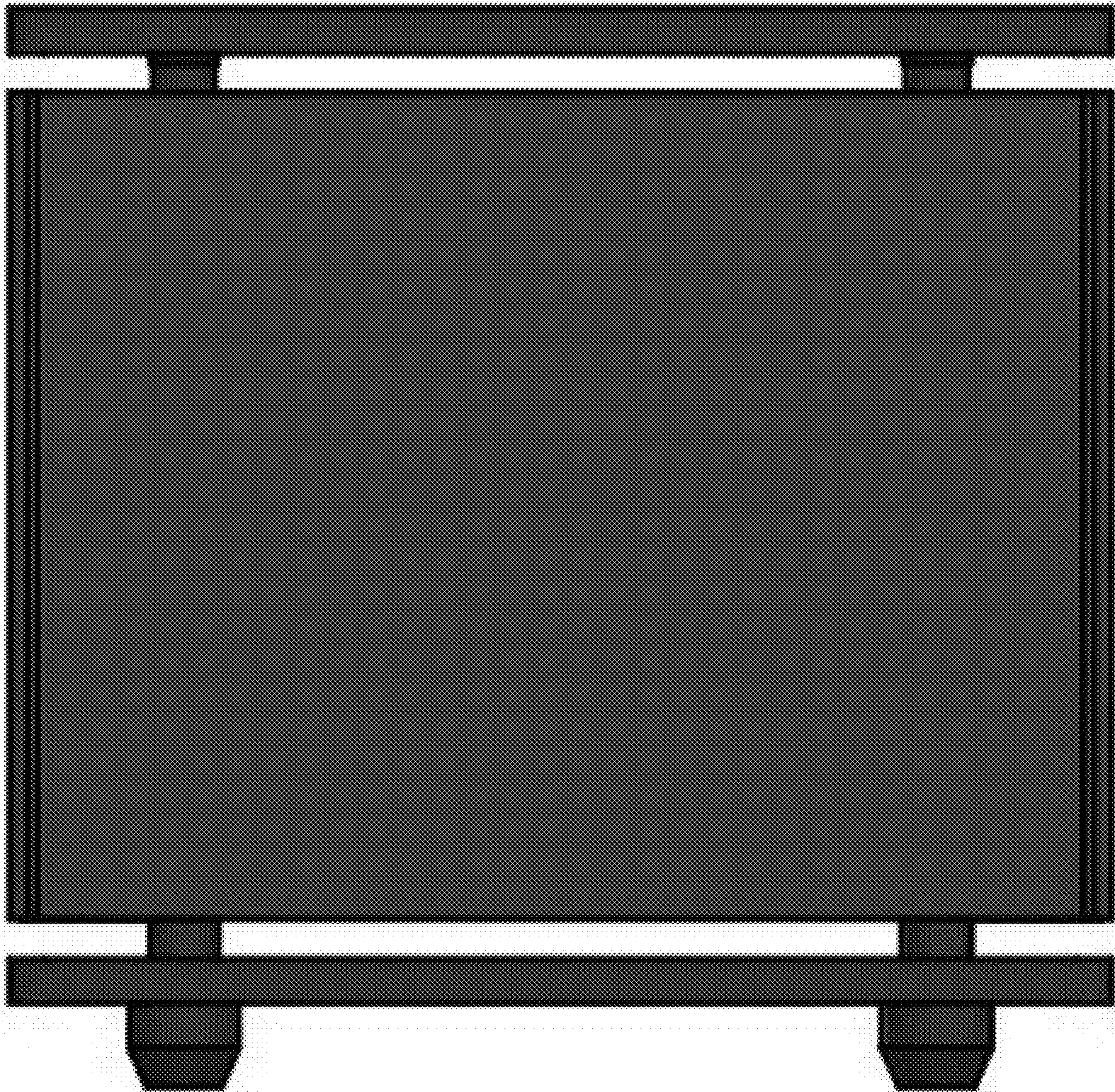
2.1



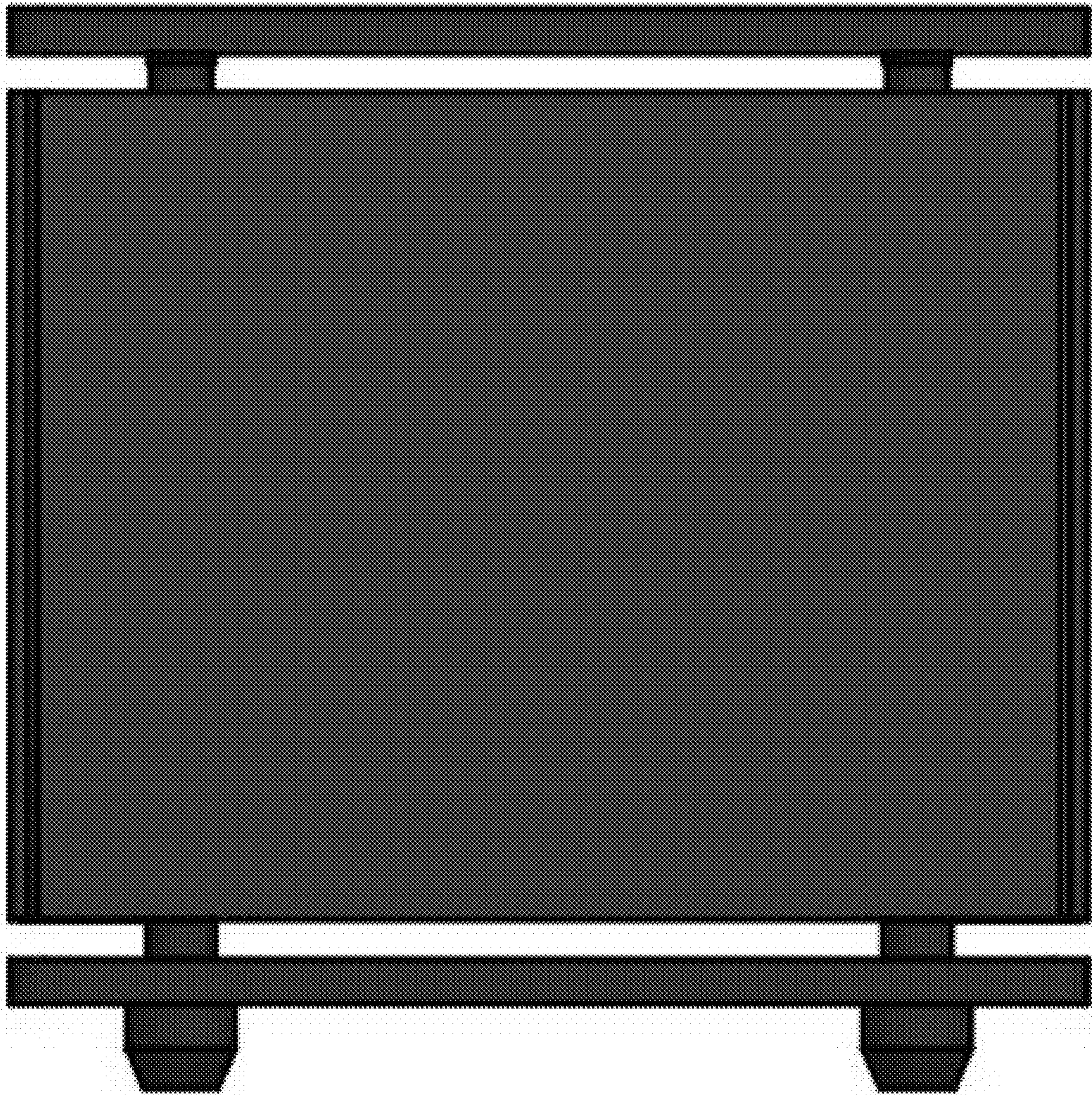
2.2



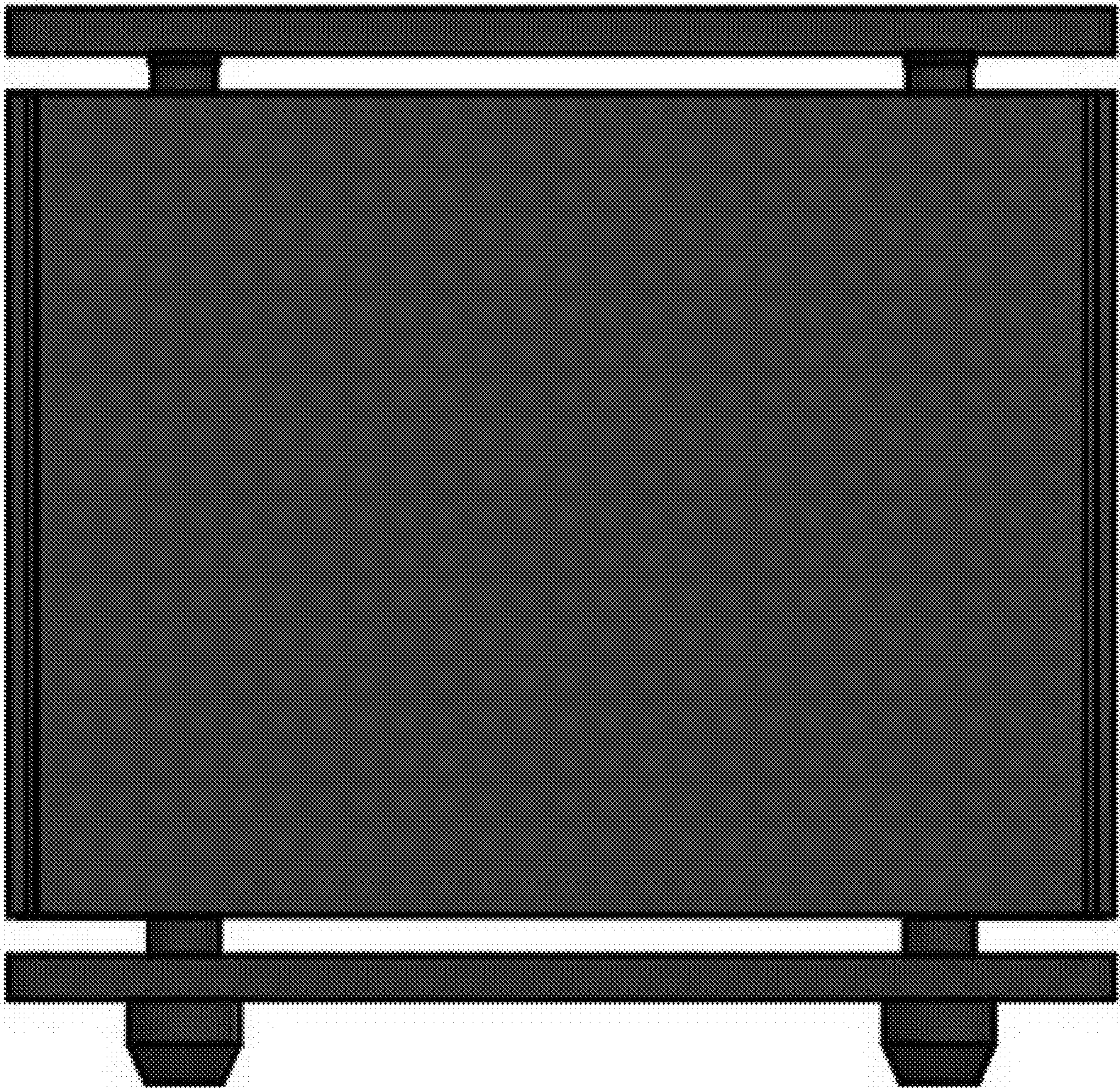
2.3



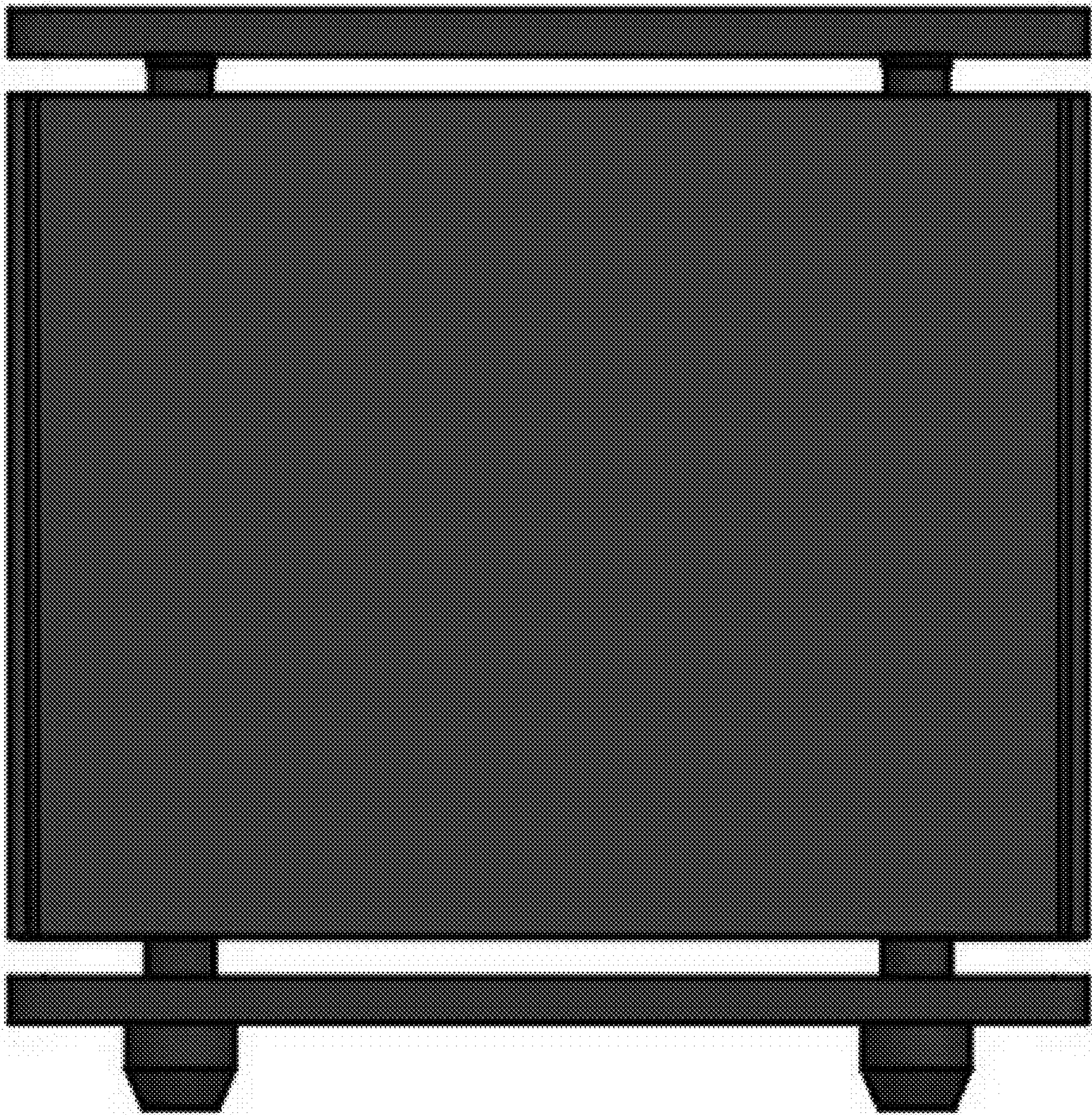
2.4



2.5



2.6



2.7

