



US00D960341S

(12) **United States Design Patent**  
**Fitzsimmons et al.**

(10) **Patent No.:** **US D960,341 S**

(45) **Date of Patent:** **\*\* Aug. 9, 2022**

(54) **BENCH-TOP DUST COLLECTOR**

(71) Applicants: **John J. Fitzsimmons**, Syracuse, NY (US); **Jeffrey Hill**, Cicero, NY (US); **Robert M Witter**, Englewood, FL (US); **Kyle W. Groening**, Syracuse, NY (US); **Joseph Baldwin**, Syracuse, NY (US)

(72) Inventors: **John J. Fitzsimmons**, Syracuse, NY (US); **Jeffrey Hill**, Cicero, NY (US); **Robert M Witter**, Englewood, FL (US); **Kyle W. Groening**, Syracuse, NY (US); **Joseph Baldwin**, Syracuse, NY (US)

(73) Assignee: **Oneida Air Systems, Inc.**, Syracuse, NY (US)

(\*\*) Term: **15 Years**

(21) Appl. No.: **29/773,914**

(22) Filed: **Mar. 12, 2021**

(51) **LOC (13) Cl.** ..... **23-04**

(52) **U.S. Cl.**  
USPC ..... **D23/364**

(58) **Field of Classification Search**  
USPC ..... D23/355-366, 352, 369, 332, 333, 335, D23/336, 342, 351; D32/21, 31  
CPC .. A61L 9/16; A61L 9/22; B01D 47/00; B01D 47/027; B01D 2221/02; B01D 2259/4508; B03C 3/155; B03C 3/368; F24F 3/16; F24F 13/20; F24F 13/28  
See application file for complete search history.

(56) **References Cited**

U.S. PATENT DOCUMENTS

4,820,320 A \* 4/1989 Cox ..... B01D 46/0005  
55/508  
4,883,509 A \* 11/1989 Giusti ..... B01D 46/0045  
55/525

D360,460 S \* 7/1995 Perrault, Jr. .... D23/364  
D629,576 S \* 12/2010 Cheng ..... D32/21  
D630,392 S \* 1/2011 Lin ..... D32/21  
D632,443 S \* 2/2011 Witter ..... D32/21  
D634,082 S \* 3/2011 Lin ..... D32/21  
D651,776 S \* 1/2012 Cheng ..... D32/21  
D663,184 S \* 7/2012 Wait ..... D8/70  
D685,402 S \* 7/2013 Cappuccio ..... D15/138  
D717,844 S \* 11/2014 Cappuccio ..... D15/138  
D741,557 S \* 10/2015 Young ..... D32/18  
D795,317 S \* 8/2017 Wenning ..... D15/138  
D800,804 S \* 10/2017 Cappuccio ..... D15/133  
D805,266 S \* 12/2017 Cheng ..... D32/21  
D815,375 S \* 4/2018 Cheng ..... D32/21

(Continued)

*Primary Examiner* — David G Muller

(74) *Attorney, Agent, or Firm* — Bernhard P. Molldrem, Jr.

(57) **CLAIM**

The ornamental design for a benchtop dust collector, as shown and described.

**DESCRIPTION**

FIG. 1 is a perspective view from the right and front or intake side of a bench top dust collector, showing our new design.

FIG. 2 is a left front perspective view thereof.

FIG. 3 is a right-rear or discharge side perspective thereof.

FIG. 4 is a left-rear perspective view thereof.

FIG. 5 is to plan view thereof.

FIG. 6 is a rear or discharge side elevational view thereof.

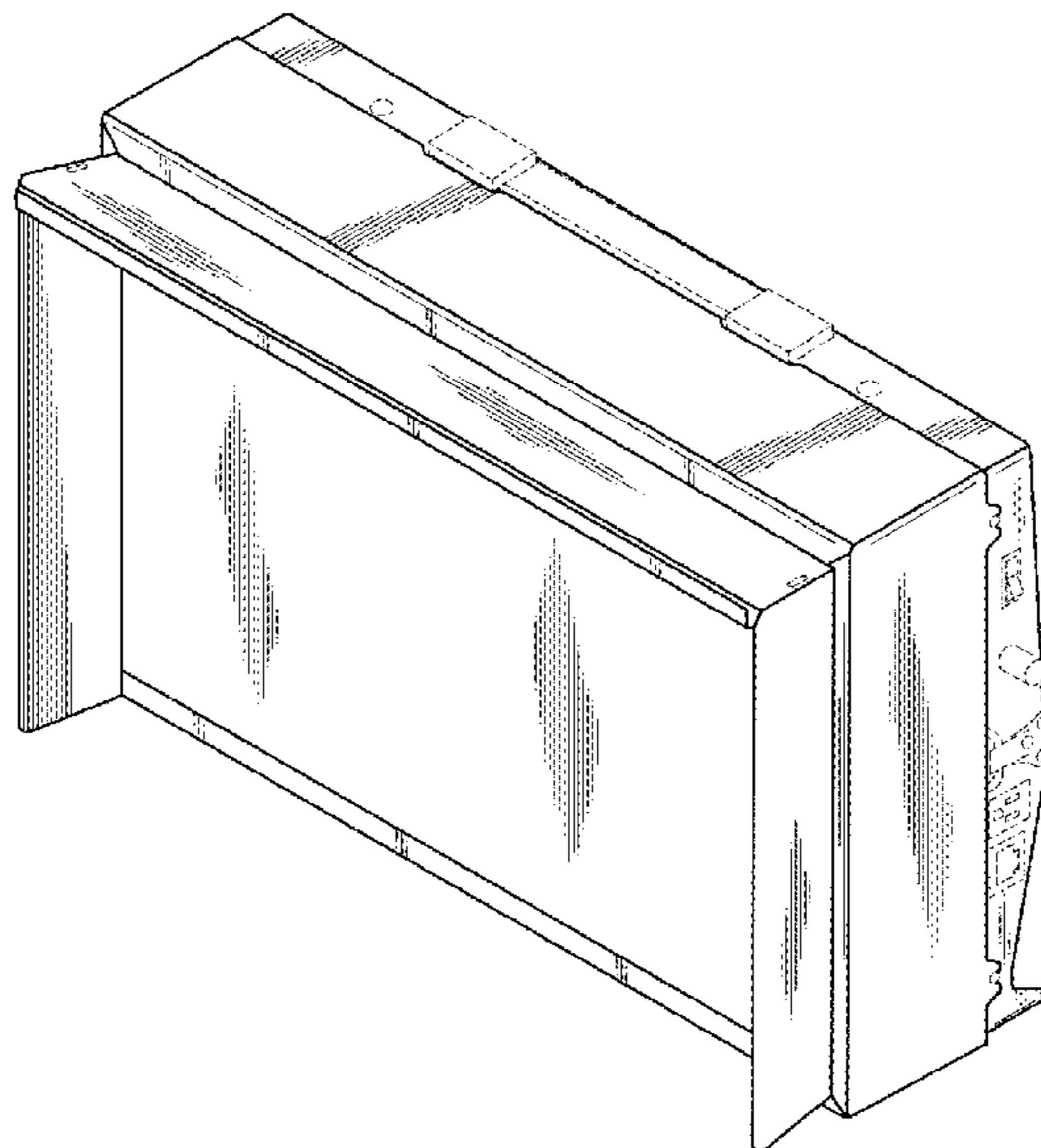
FIG. 7 is a front elevation view thereof;

FIG. 8 is a left side elevation view thereof; and,

FIG. 9 is a right side elevation view thereof.

The bottom of the benchtop dust collector is plain and unadorned. Elements that are shown in broken lines do not form a part of our claimed design.

**1 Claim, 4 Drawing Sheets**



(56)

**References Cited**

U.S. PATENT DOCUMENTS

D944,474 S \* 2/2022 Kuhls ..... D32/15  
2011/0113587 A1\* 5/2011 Nagasaka ..... A47L 5/36  
15/339  
2011/0197767 A1\* 8/2011 Seitz ..... B01D 46/71  
95/286  
2014/0238240 A1\* 8/2014 Raether ..... B01D 46/58  
55/495  
2018/0093282 A1\* 4/2018 Katsushima ..... B04C 5/185  
2019/0380549 A1\* 12/2019 Liu ..... A47L 9/327

\* cited by examiner

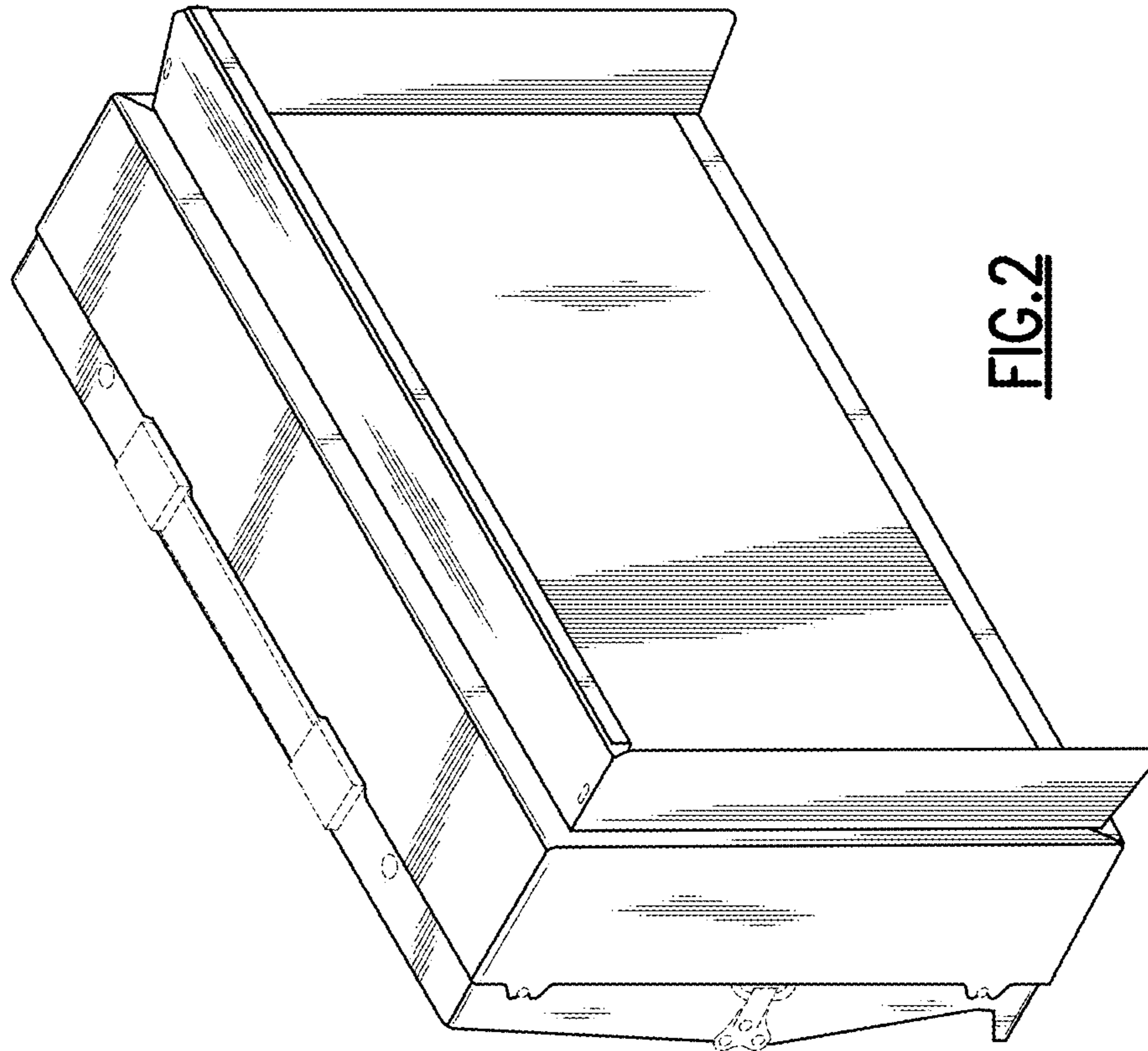


FIG. 2

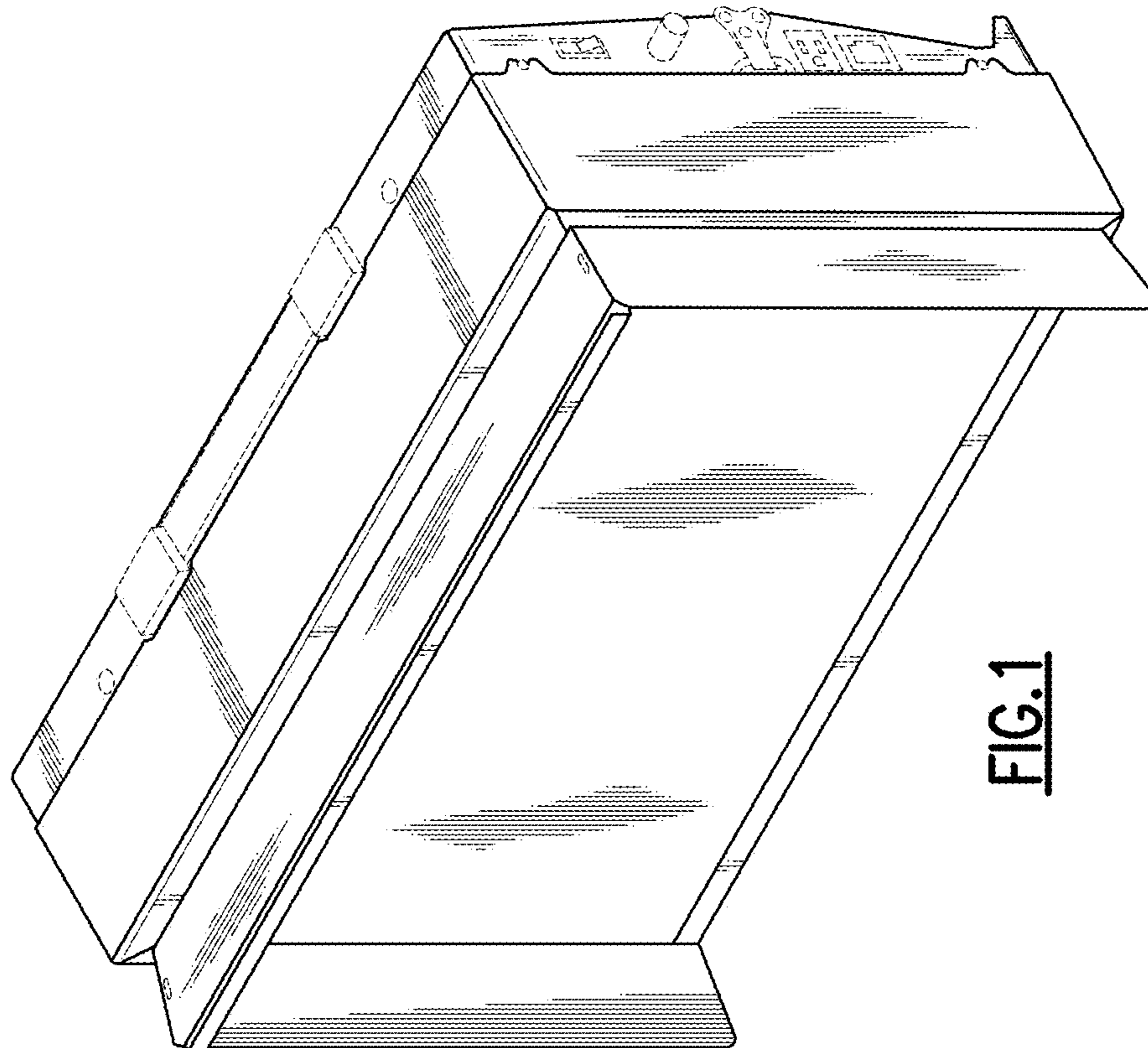
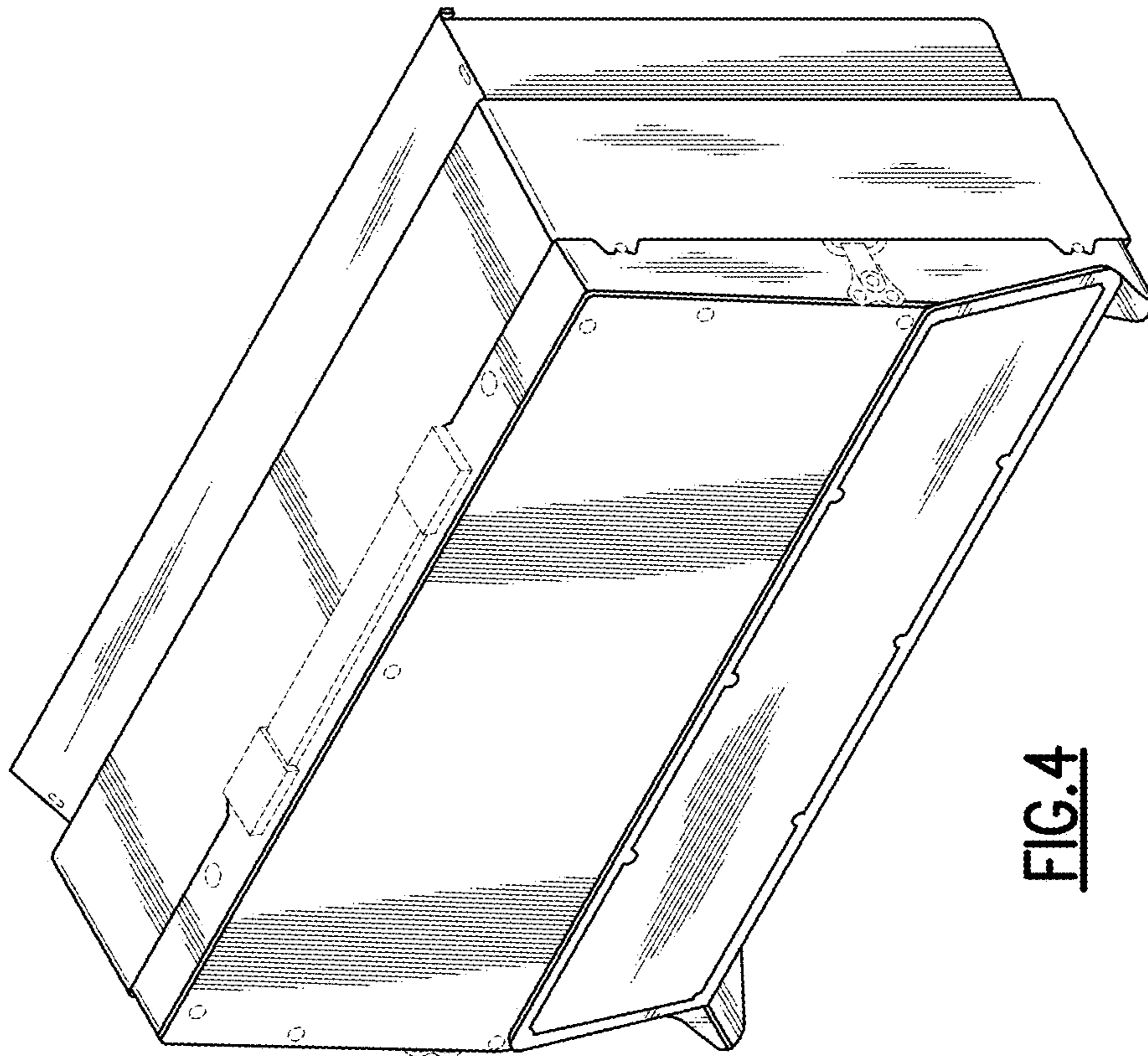
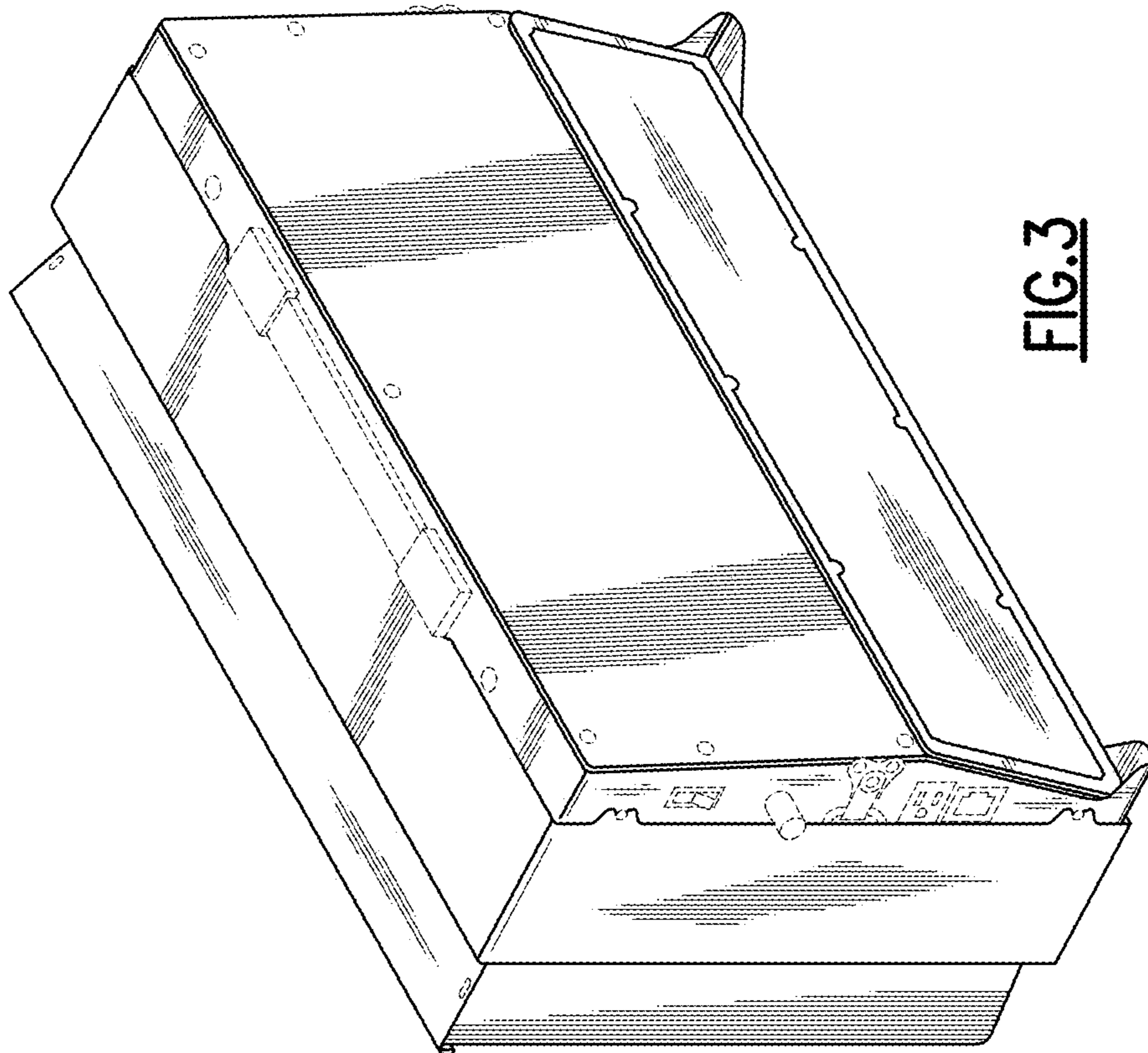


FIG. 1



**FIG. 4**



**FIG. 3**

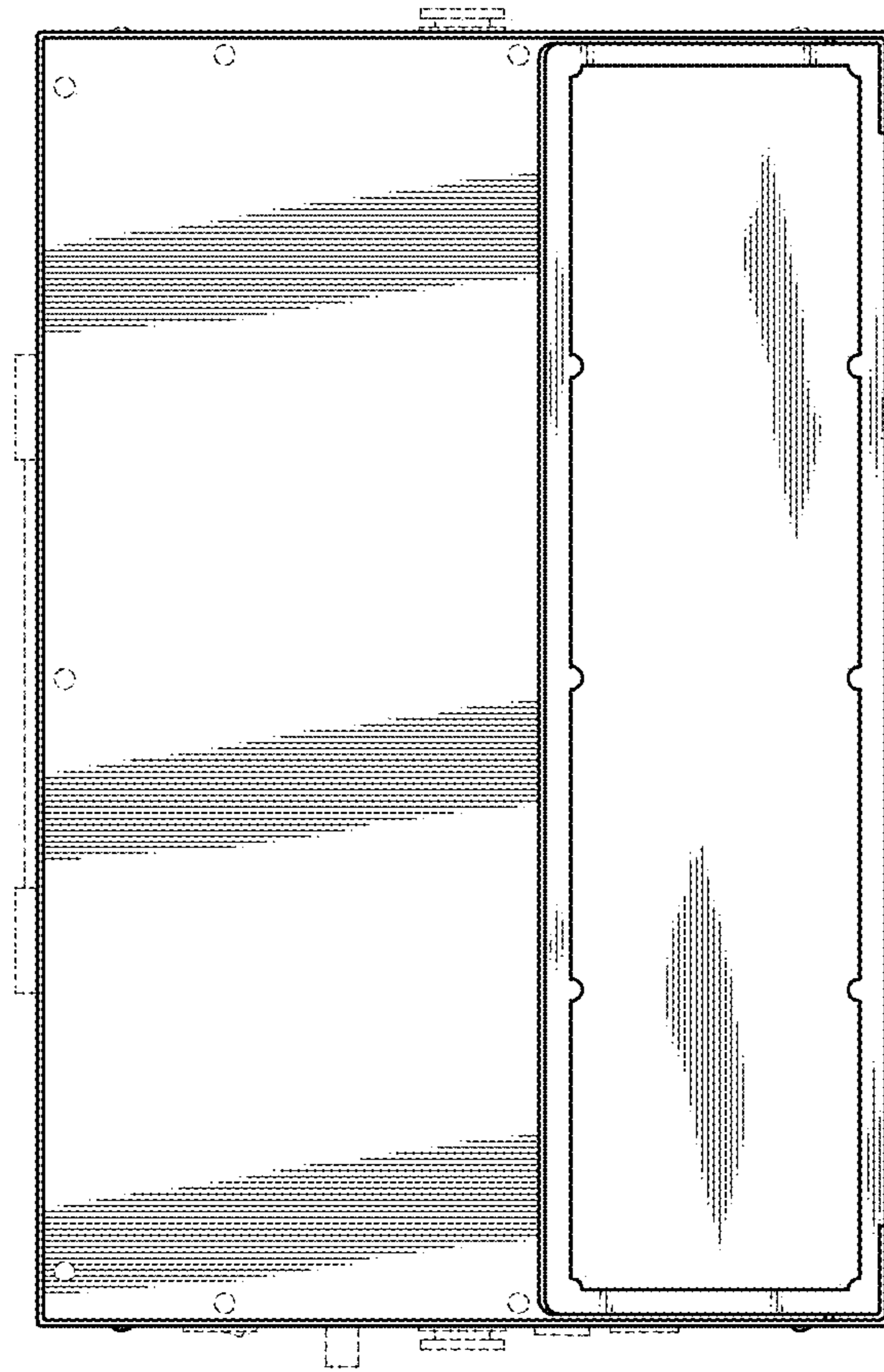


FIG. 6

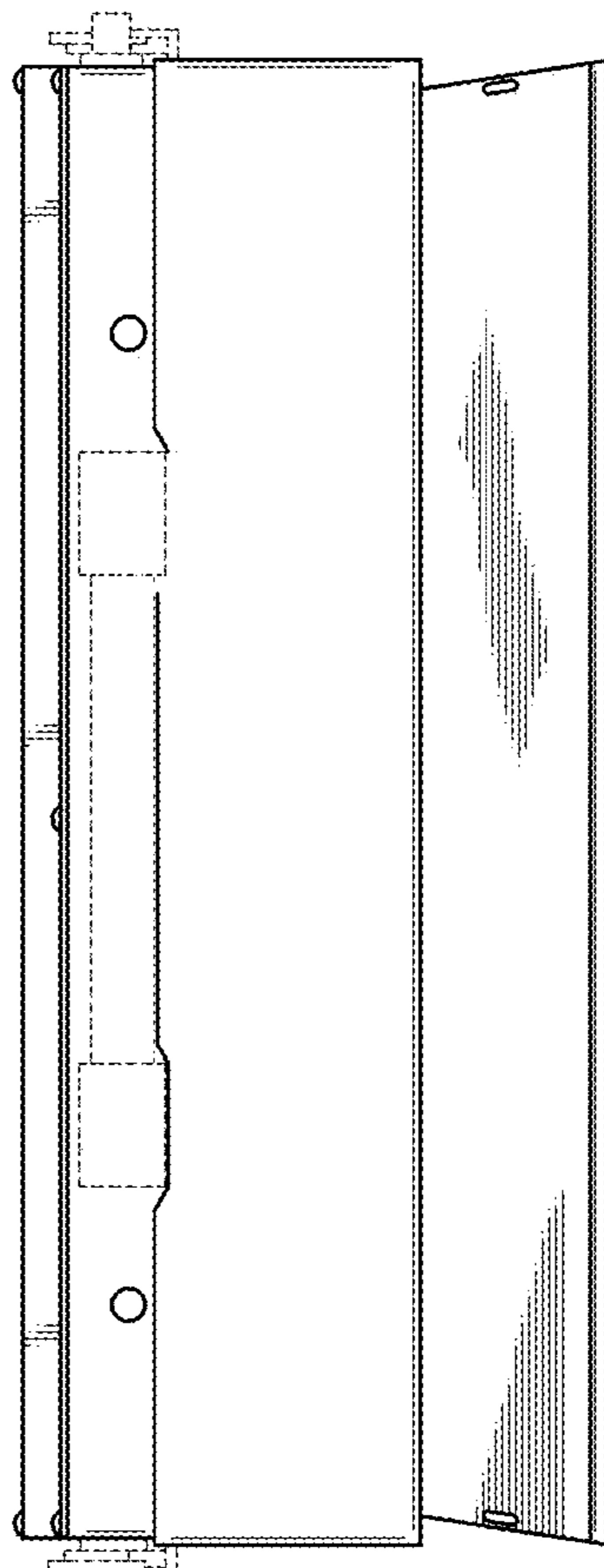


FIG. 5

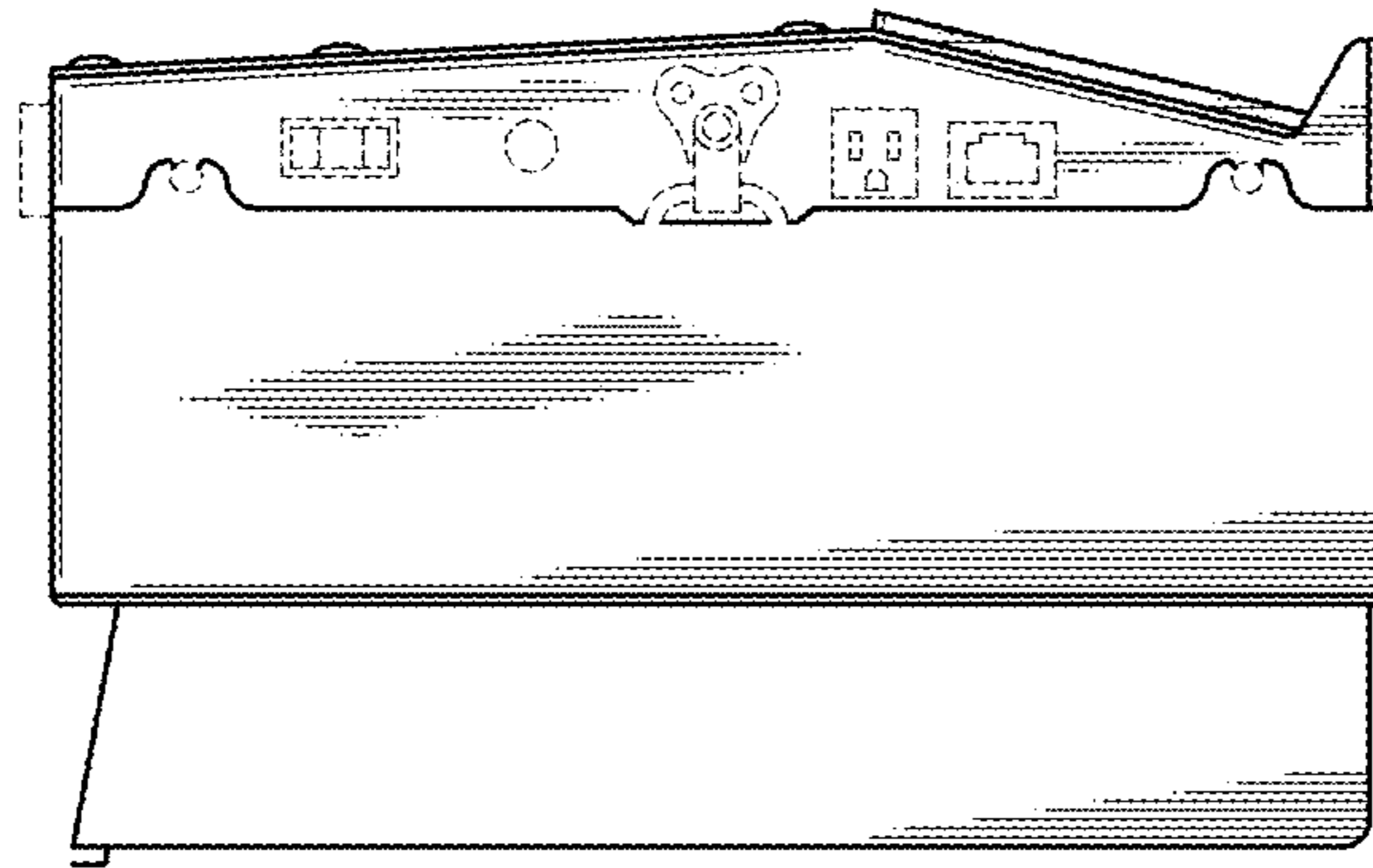


FIG. 9

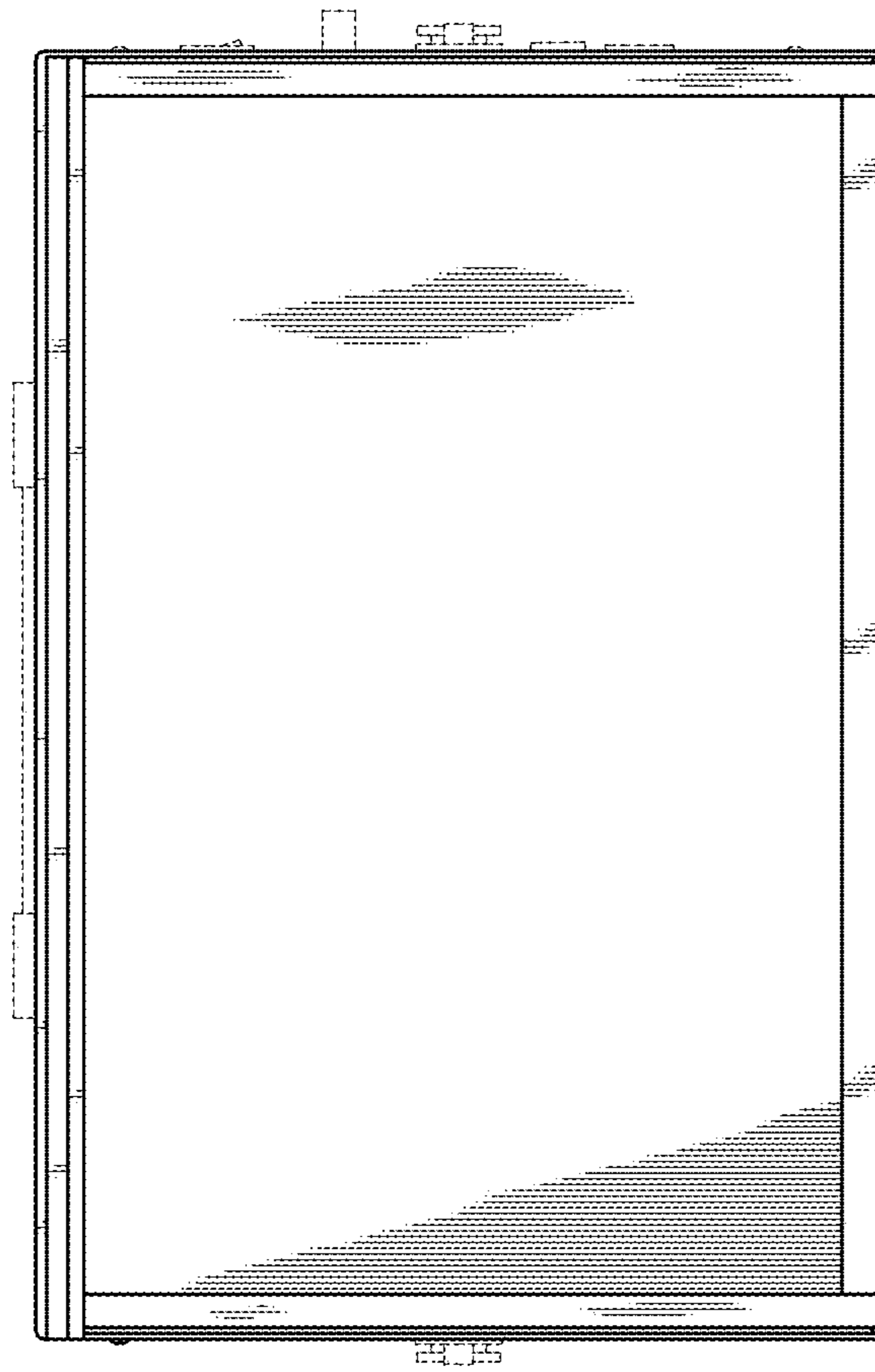


FIG. 7

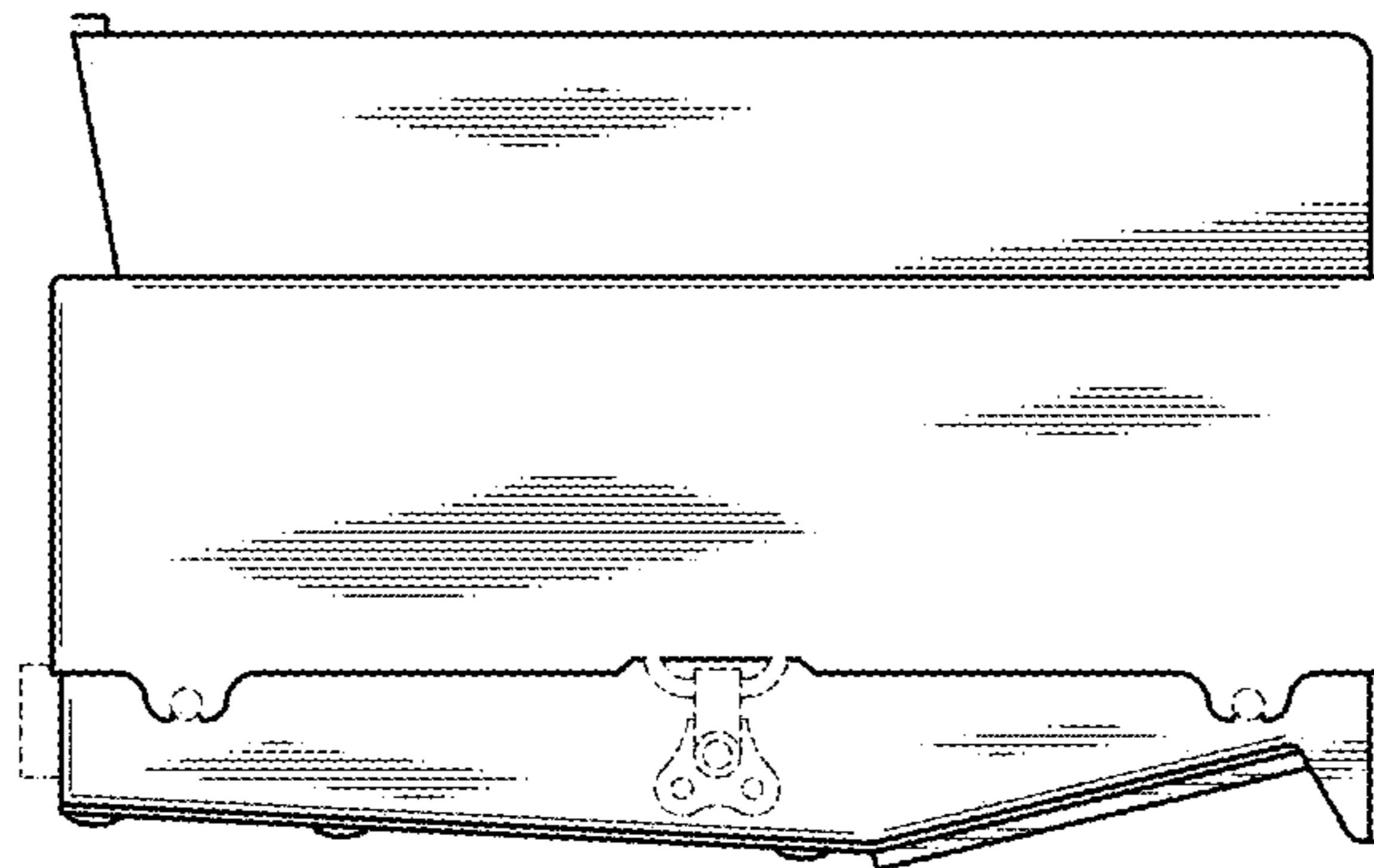


FIG. 8