



US00D960340S

(12) **United States Design Patent**
Li

(10) **Patent No.:** **US D960,340 S**

(45) **Date of Patent:** **** Aug. 9, 2022**

(54) **AIR PURIFIER**

(71) Applicant: **HAICHAO (XIAMEN)
INTELLIGENT TECHNOLOGY
CO., LTD.**, Xiamen (CN)

(72) Inventor: **Qing Li**, Xiamen (CN)

(73) Assignee: **HAICHAO (XIAMEN)
INTELLIGENT TECHNOLOGY
CO., LTD.**, Xiamen (CN)

(**) Term: **15 Years**

(21) Appl. No.: **29/769,005**

(22) Filed: **Feb. 2, 2021**

(51) **LOC (13) Cl.** **23-04**

(52) **U.S. Cl.**
USPC **D23/364**

(58) **Field of Classification Search**
USPC D23/355-366, 352, 369, 332, 333, 335,
D23/336, 342, 351; 422/120, 122;
55/356, 473, 504; 96/97; 261/DIG. 17,
261/DIG. 65, DIG. 88, DIG. 31
CPC .. A61L 9/16; A61L 9/22; B01D 47/00; B01D
47/027; B01D 2221/02; B01D 2259/4508;
B03C 3/155; B03C 3/368; F24F 3/16;
F24F 13/20; F24F 13/28
See application file for complete search history.

(56) **References Cited**

U.S. PATENT DOCUMENTS

D834,165 S * 11/2018 Maeng D23/364
D844,766 S * 4/2019 Miao D23/364

D876,599 S * 2/2020 He D23/364
D885,543 S * 5/2020 Wang D23/364
D893,009 S * 8/2020 Choi D23/364
D912,236 S * 3/2021 Hernandez D23/364
D918,367 S * 5/2021 Li D23/359
D919,780 S * 5/2021 Li D23/359
11,077,399 B2 * 8/2021 Choi B01D 53/265
D936,200 S * 11/2021 Yang D23/364
D947,333 S * 3/2022 Huang D23/359
D947,334 S * 3/2022 Wen D23/359
D948,012 S * 4/2022 Huang D23/359

* cited by examiner

Primary Examiner — David G Muller

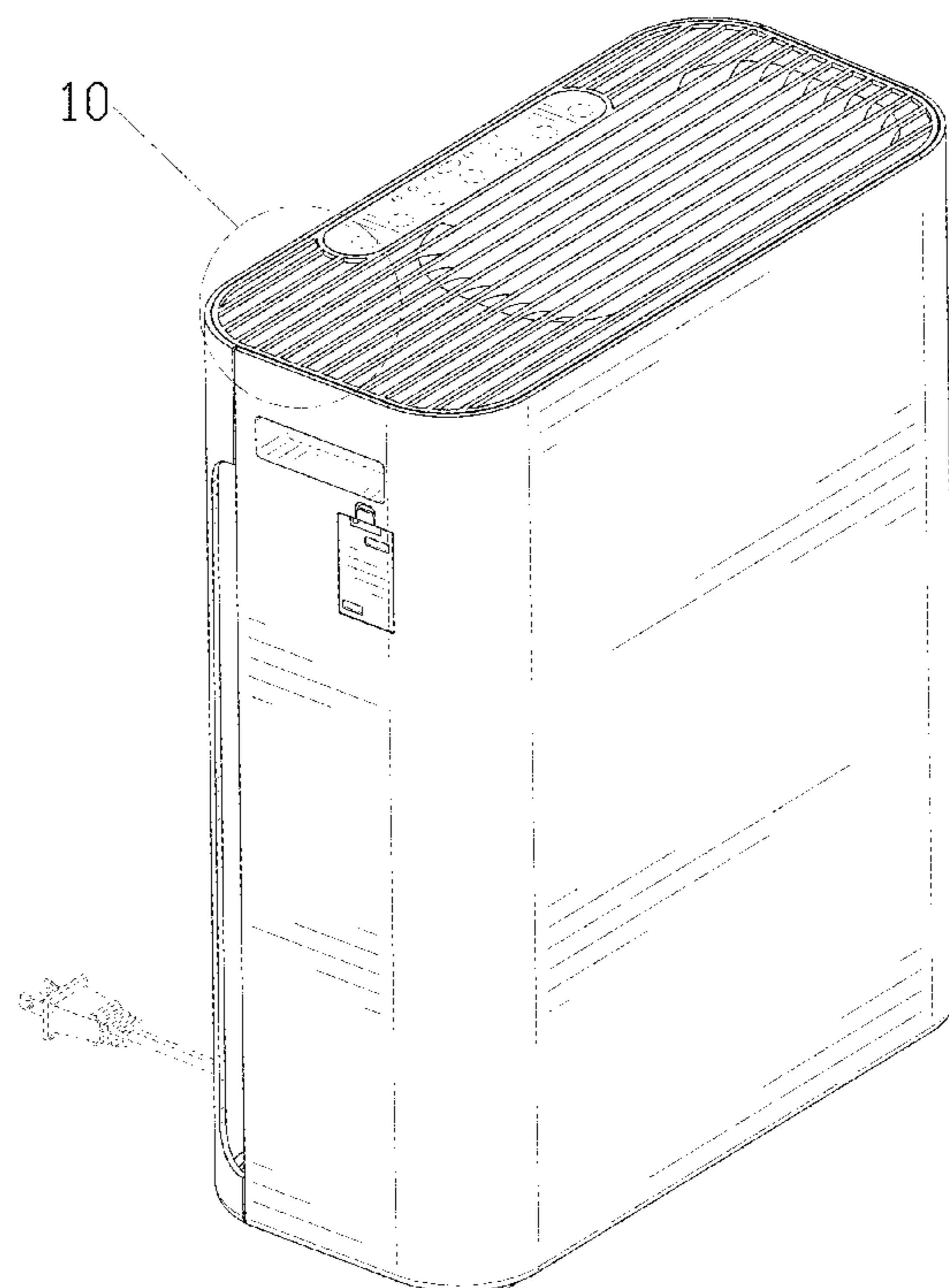
(57) **CLAIM**

The ornamental design for an air purifier, as shown and described.

DESCRIPTION

FIG. 1 is a perspective view of an air purifier showing my new design;
FIG. 2 is another perspective view thereof;
FIG. 3 is another perspective view thereof;
FIG. 4 is a front elevational view thereof;
FIG. 5 is a rear elevational view thereof;
FIG. 6 is a left side elevational view thereof;
FIG. 7 is a right side elevational view thereof;
FIG. 8 is a top plan view thereof;
FIG. 9 is a bottom plan view thereof; and,
FIG. 10 is an enlarged view of portion 10 shown in FIG. 1.
The broken lines in the drawings depict portions of the air purifier that form no part of the claimed design.

1 Claim, 10 Drawing Sheets



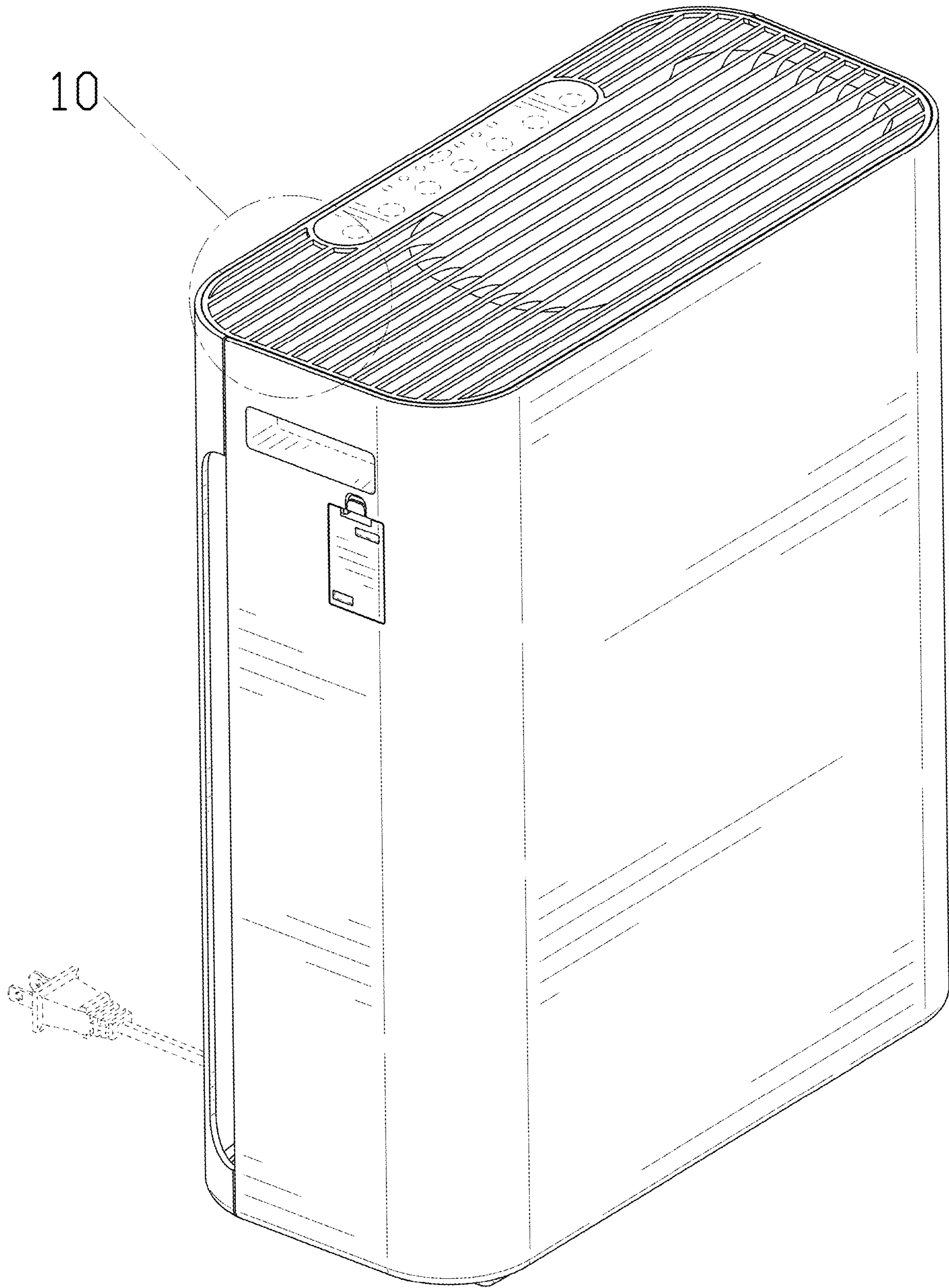


FIG. 1

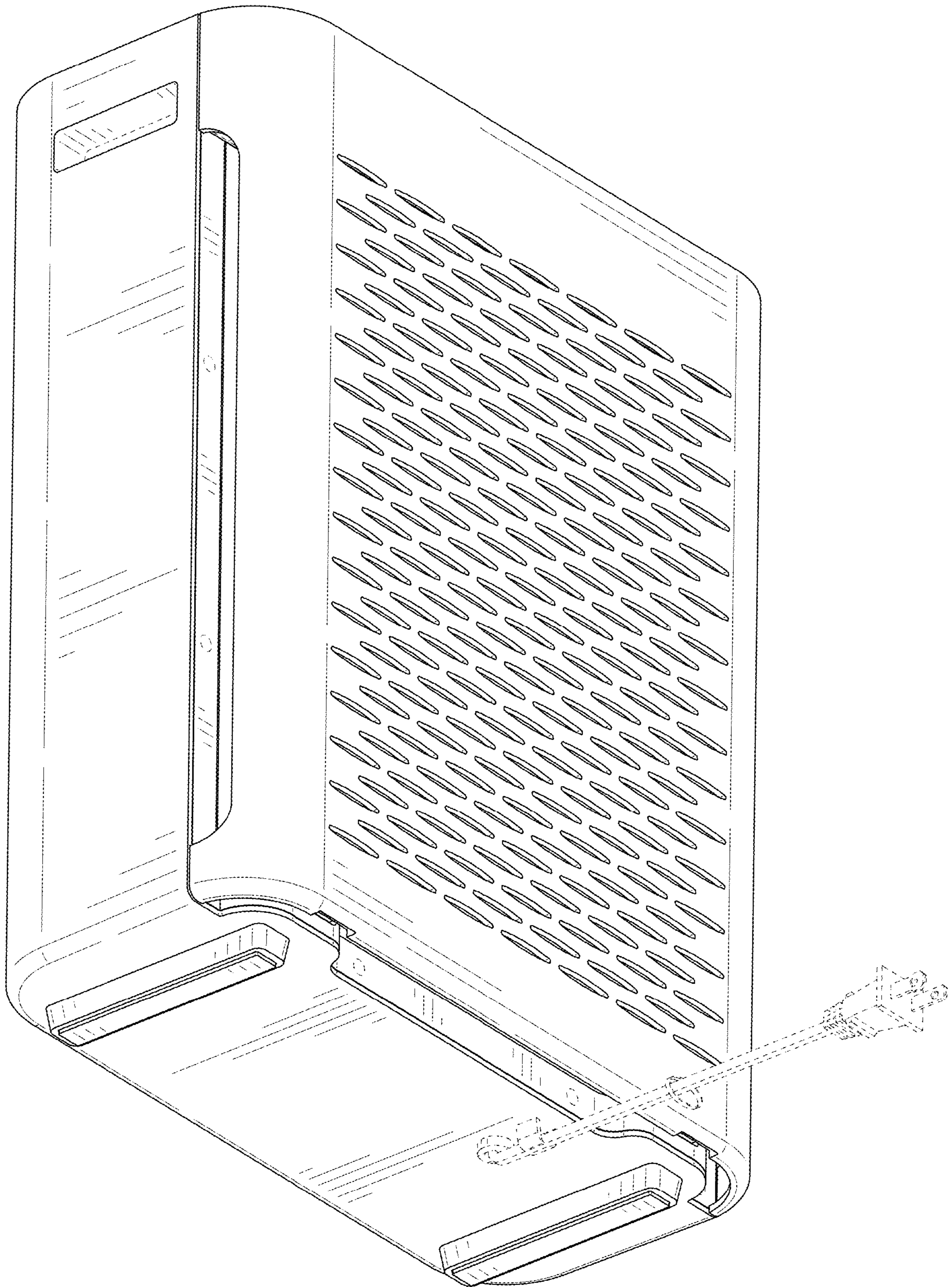


FIG. 2

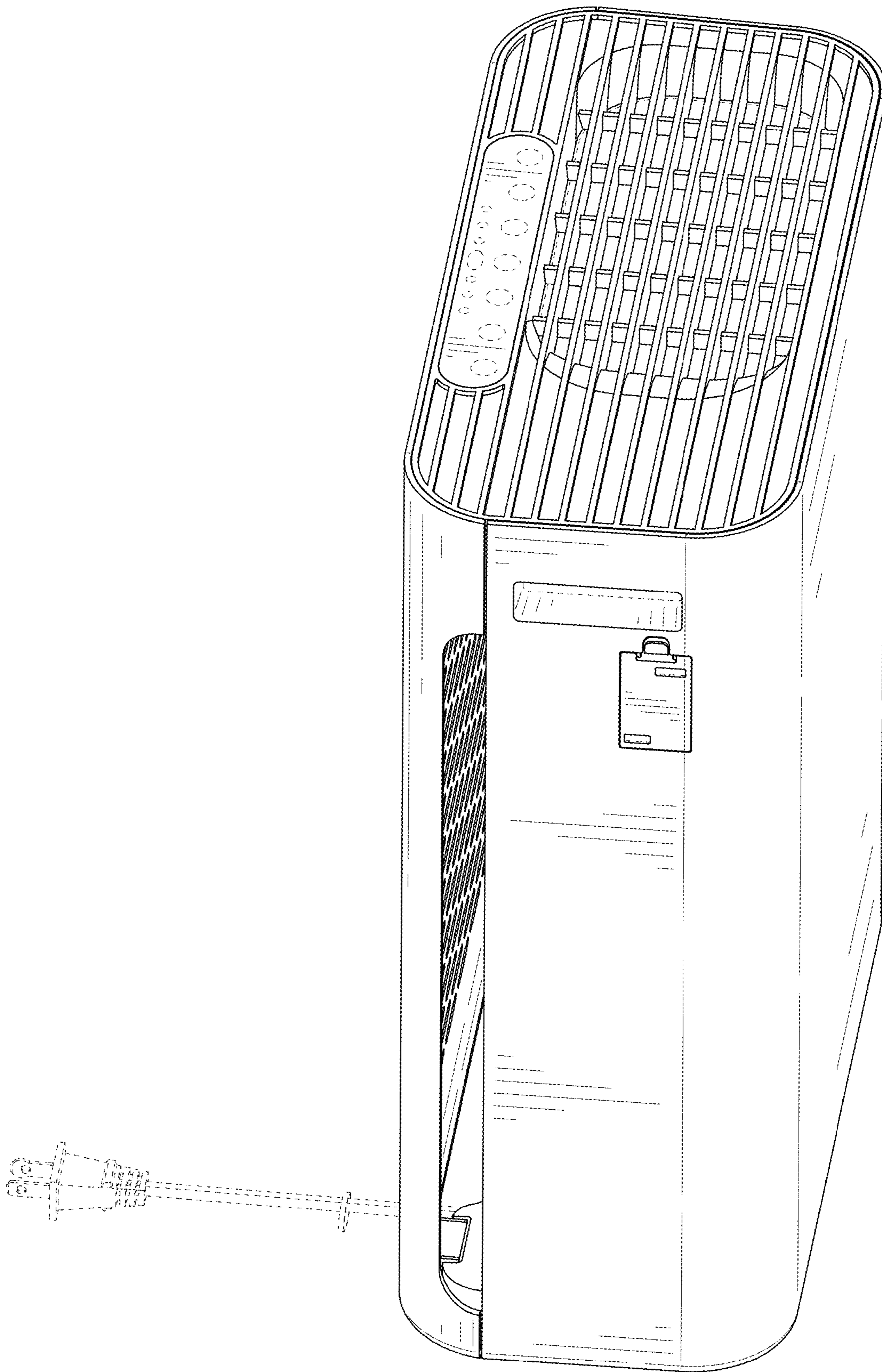


FIG. 3

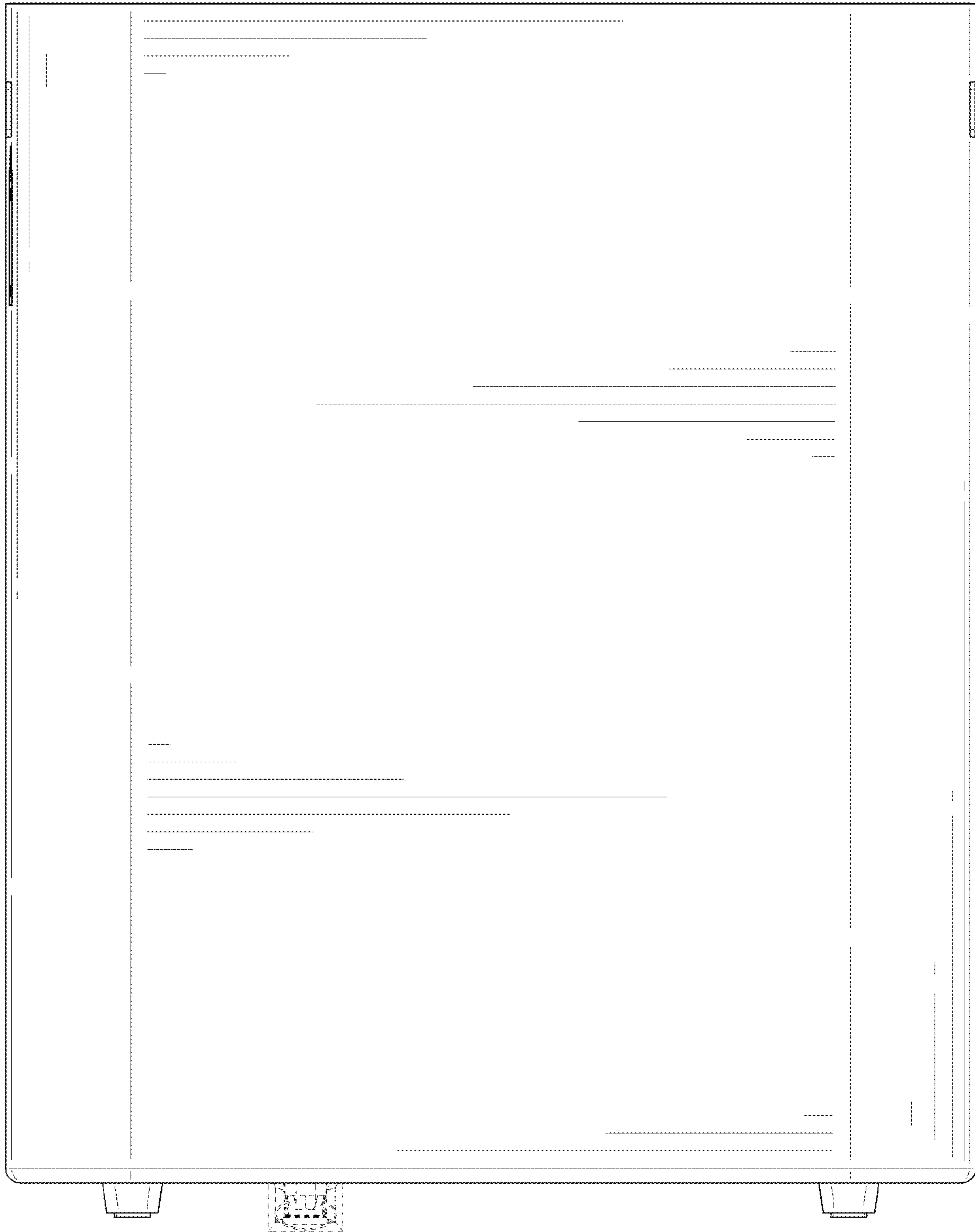


FIG. 4

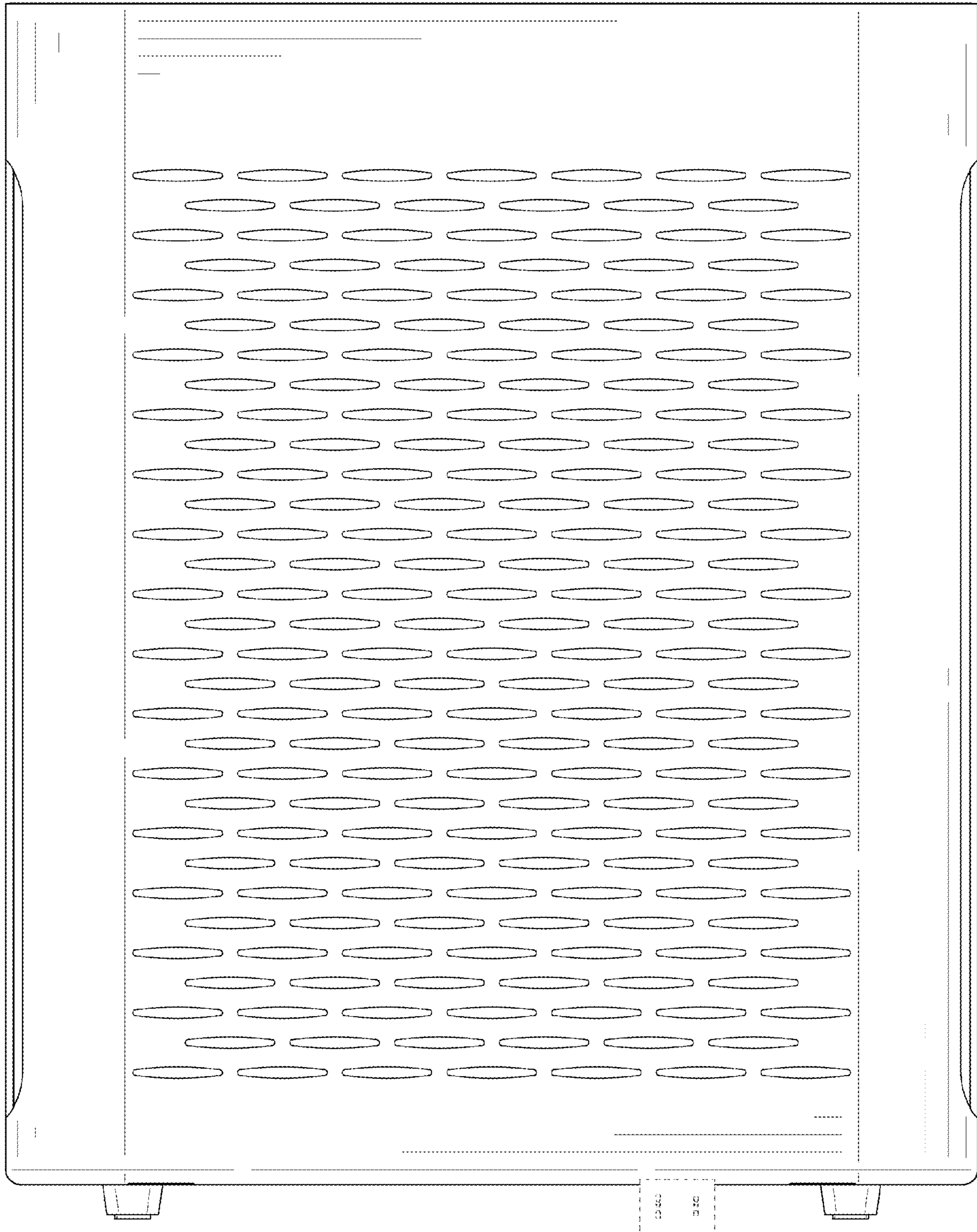


FIG. 5

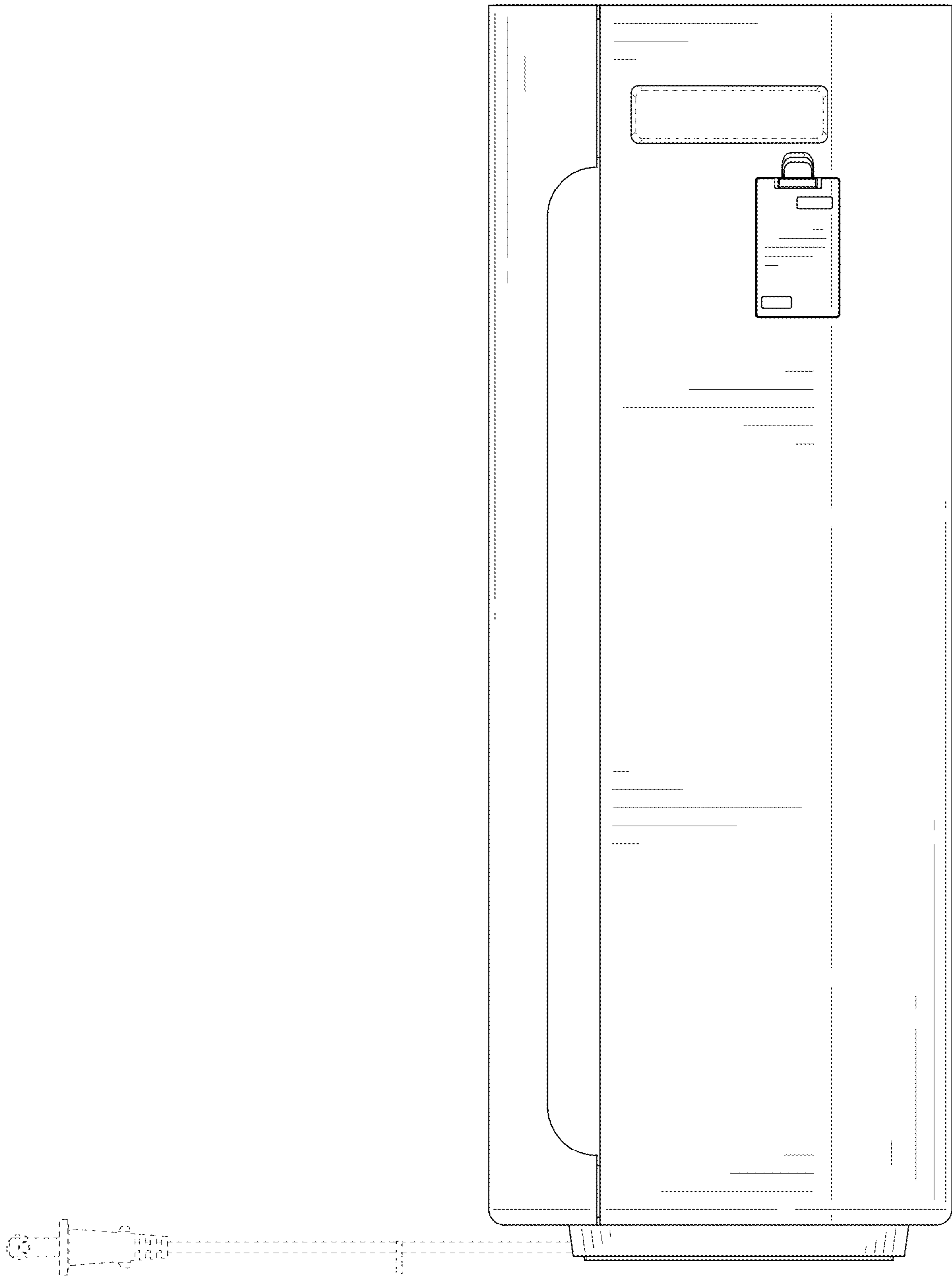


FIG. 6

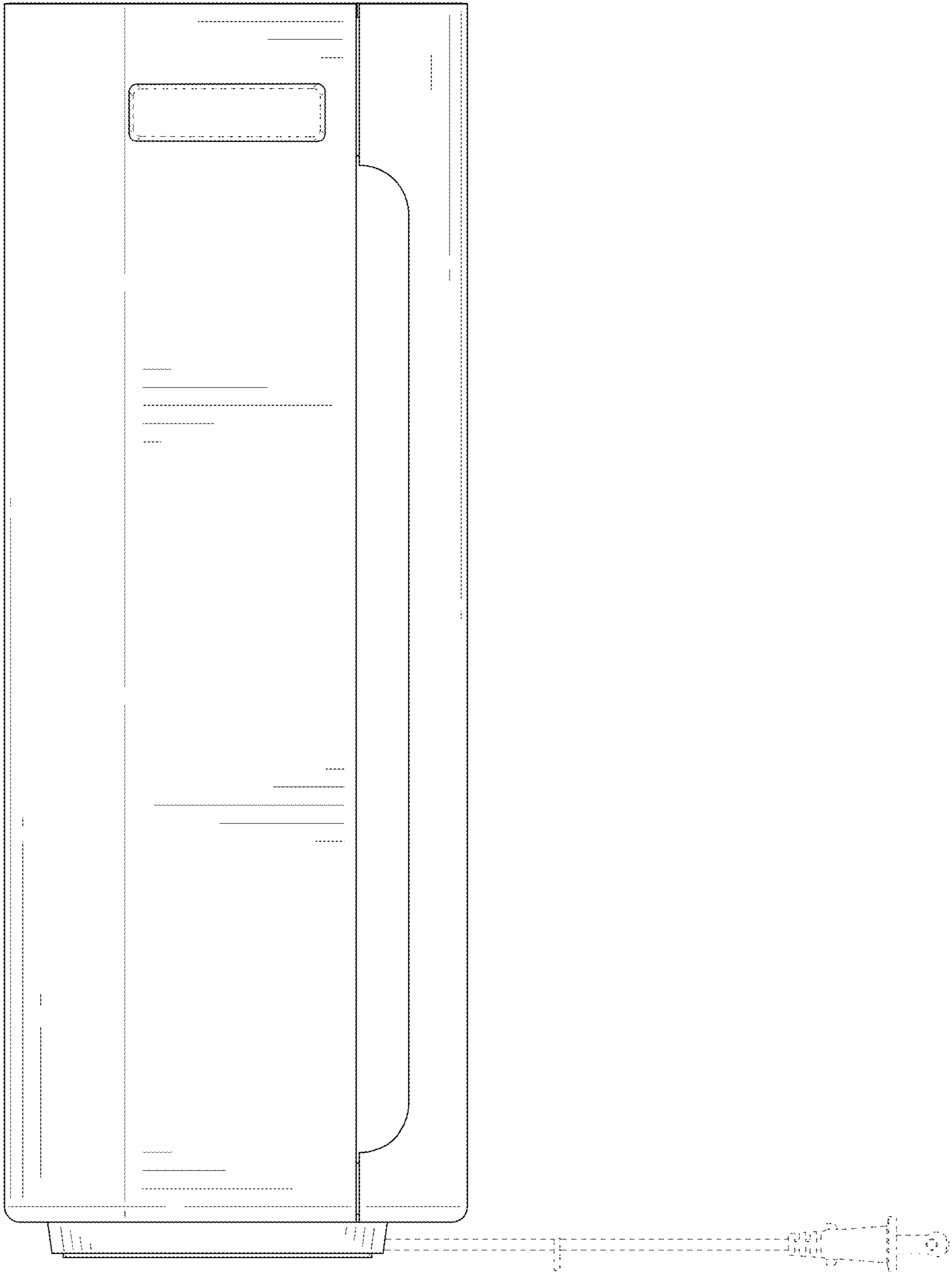


FIG. 7

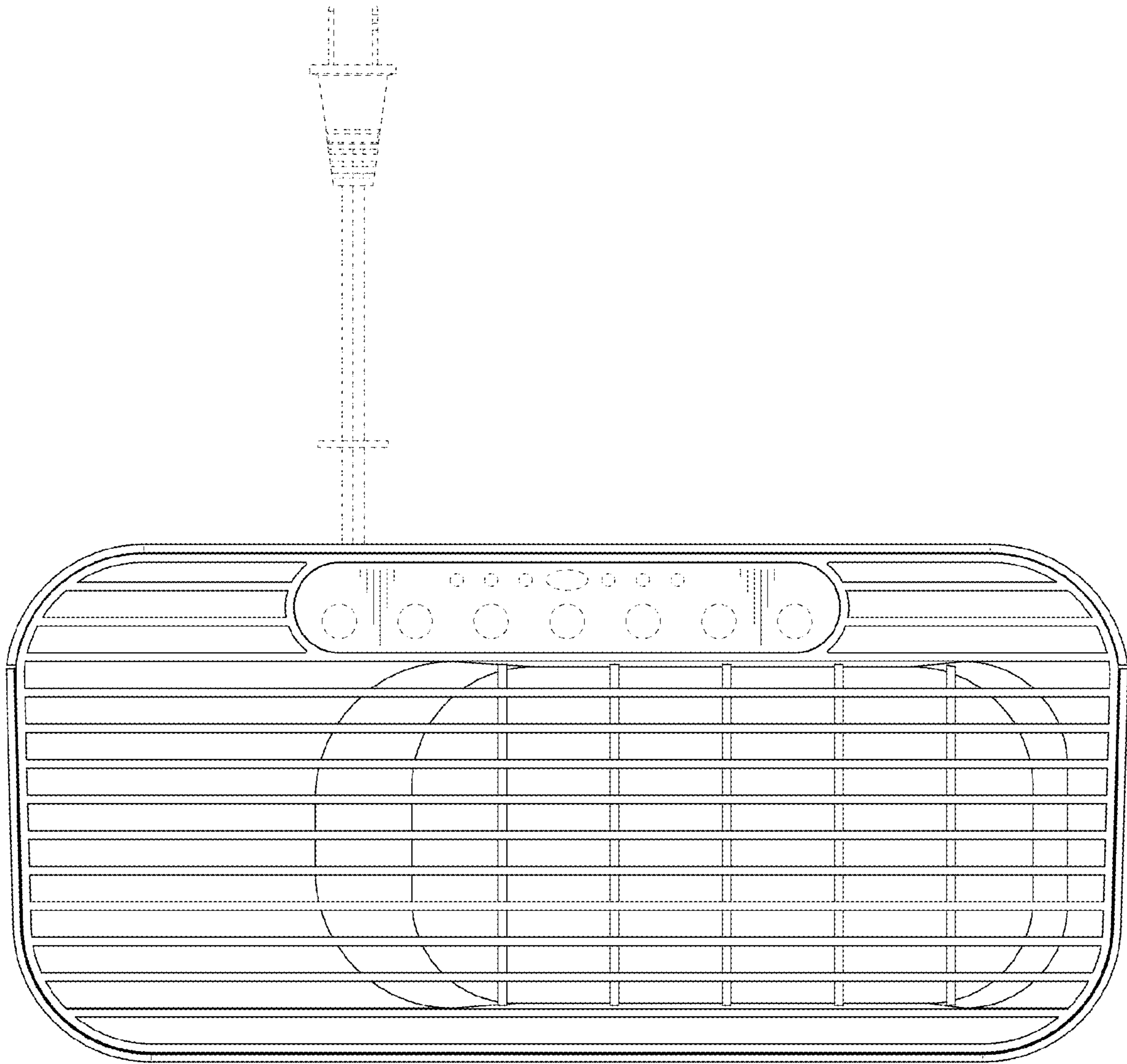


FIG. 8

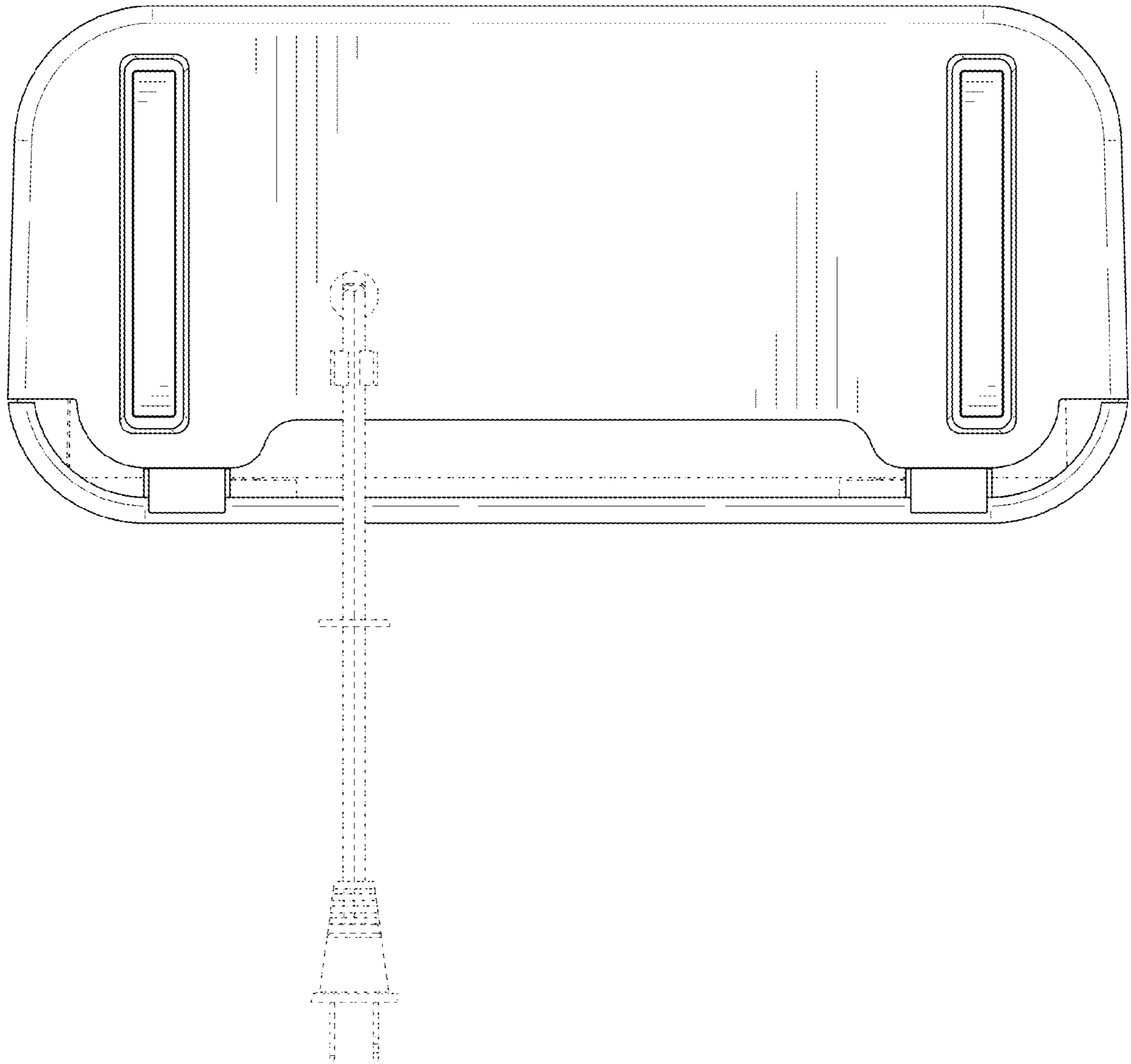


FIG. 9

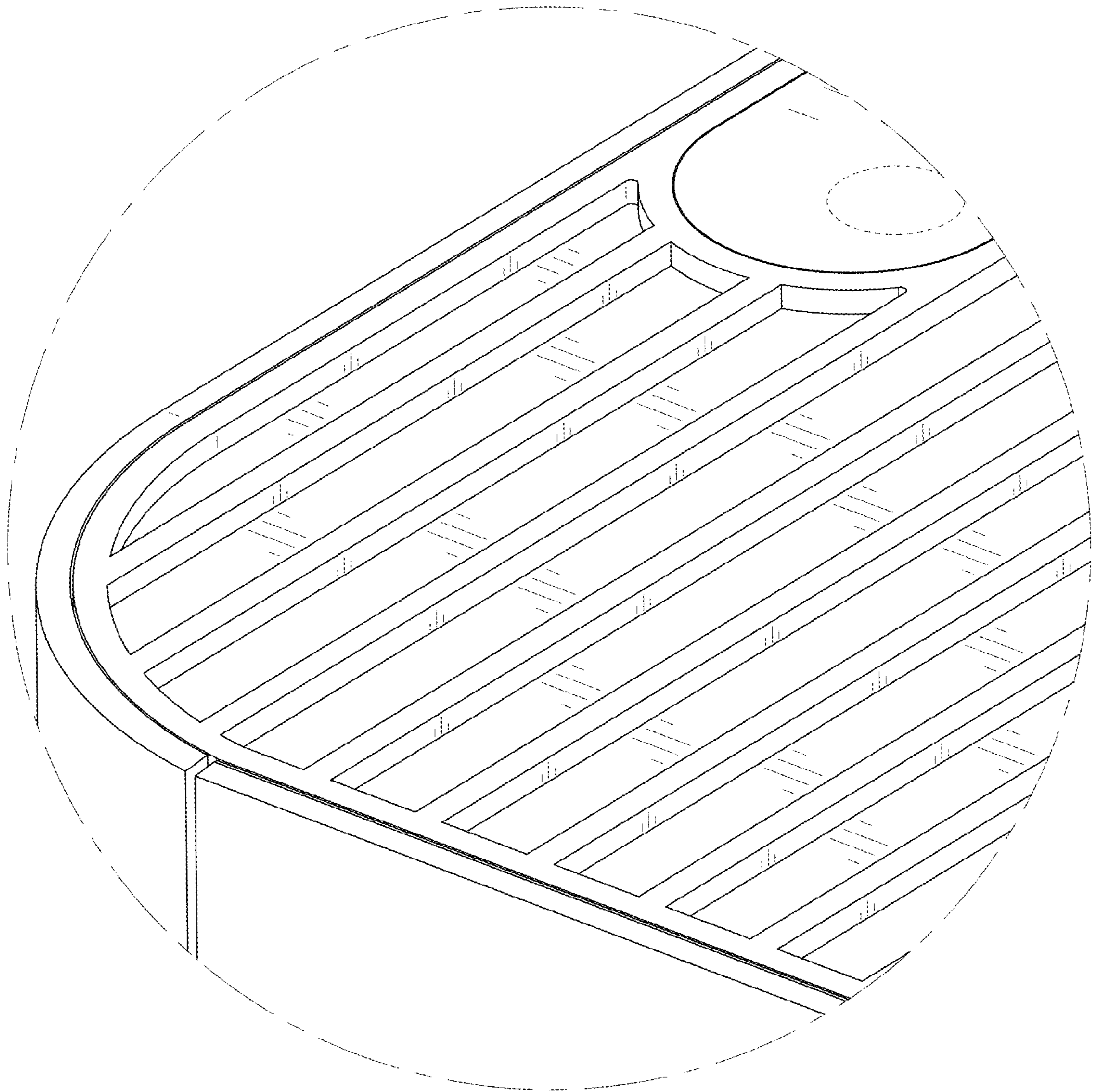


FIG. 10