

US00D960338S

(12) **United States Design Patent**
Jiang et al.

(10) **Patent No.:** **US D960,338 S**

(45) **Date of Patent:** **** Aug. 9, 2022**

(54) **HUMIDIFIER**

(71) Applicant: **ETEKCITY CORPORATION**,
Anaheim, CA (US)

(72) Inventors: **Shengde Jiang**, Shenzhen (CN); **Shipin Qin**, Shenzhen (CN)

(**) Term: **15 Years**

(21) Appl. No.: **29/752,614**

(22) Filed: **Sep. 28, 2020**

(30) **Foreign Application Priority Data**

May 9, 2020 (CN) 202030207041.4

(51) **LOC (13) Cl.** **23-04**

(52) **U.S. Cl.**
USPC **D23/356**

(58) **Field of Classification Search**
USPC D23/355-366, 352, 369, 332, 333, 335,
D23/336, 342, 351; 422/120, 122;
55/356, 473, 504; 96/97; 261/DIG. 17,
261/DIG. 65, DIG. 88, DIG. 31
CPC .. A61L 9/16; A61L 9/22; B01D 47/00; B01D
47/027; B01D 2221/02; B01D 2259/4508;
B03C 3/155; B03C 3/368; F24F 3/16;
F24F 13/20; F24F 13/28
See application file for complete search history.

(56) **References Cited**

U.S. PATENT DOCUMENTS

D336,511 S * 6/1993 Chiu D23/356
D460,451 S * 7/2002 Andre D14/356

D481,112 S * 10/2003 Best D23/356
D484,962 S * 1/2004 Best D23/356
D551,652 S * 9/2007 Nakamura D14/168
D788,279 S * 5/2017 Lee D23/359
D801,503 S * 10/2017 Reed D23/356
D838,354 S * 1/2019 Farone D23/364
D838,824 S * 1/2019 Sun D23/364
D870,871 S * 12/2019 McDonnell D23/356
D886,973 S * 6/2020 Miyawaki D23/356
D921,864 S * 6/2021 Luo D23/356
D930,132 S * 9/2021 Jin D23/356

* cited by examiner

Primary Examiner — David G Muller

(74) *Attorney, Agent, or Firm* — Tsz Lung Yeung

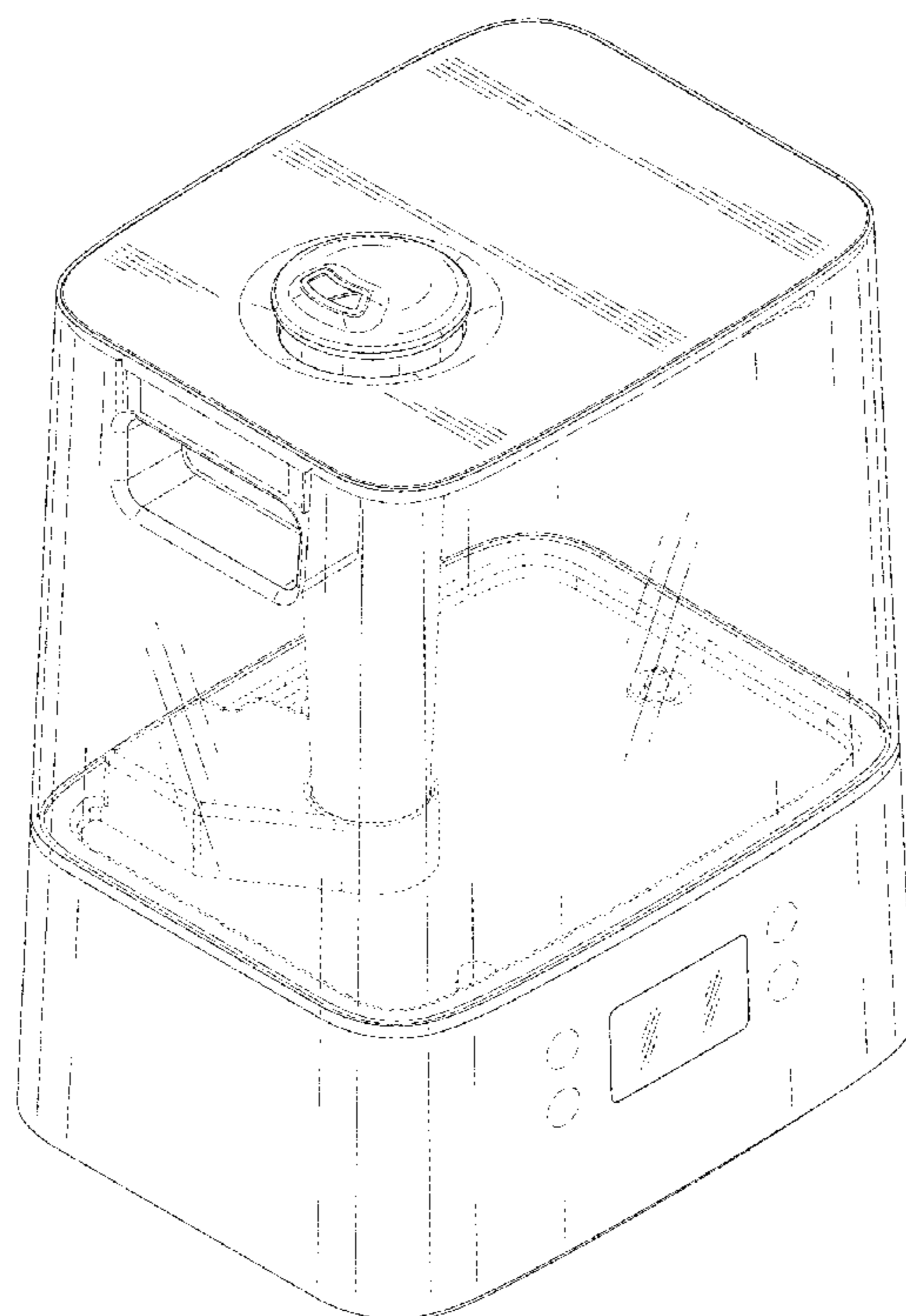
(57) **CLAIM**

The ornamental design for a humidifier, as shown and described.

DESCRIPTION

FIG. 1 is a perspective view of a humidifier showing my new design;
FIG. 2 is a front view thereof;
FIG. 3 is a rear view thereof;
FIG. 4 is a right side view thereof;
FIG. 5 is a left side view thereof;
FIG. 6 is a top view thereof; and,
FIG. 7 is a bottom view thereof.
The broken lines depict portions of the humidifier that form no part of the claimed design.

1 Claim, 7 Drawing Sheets



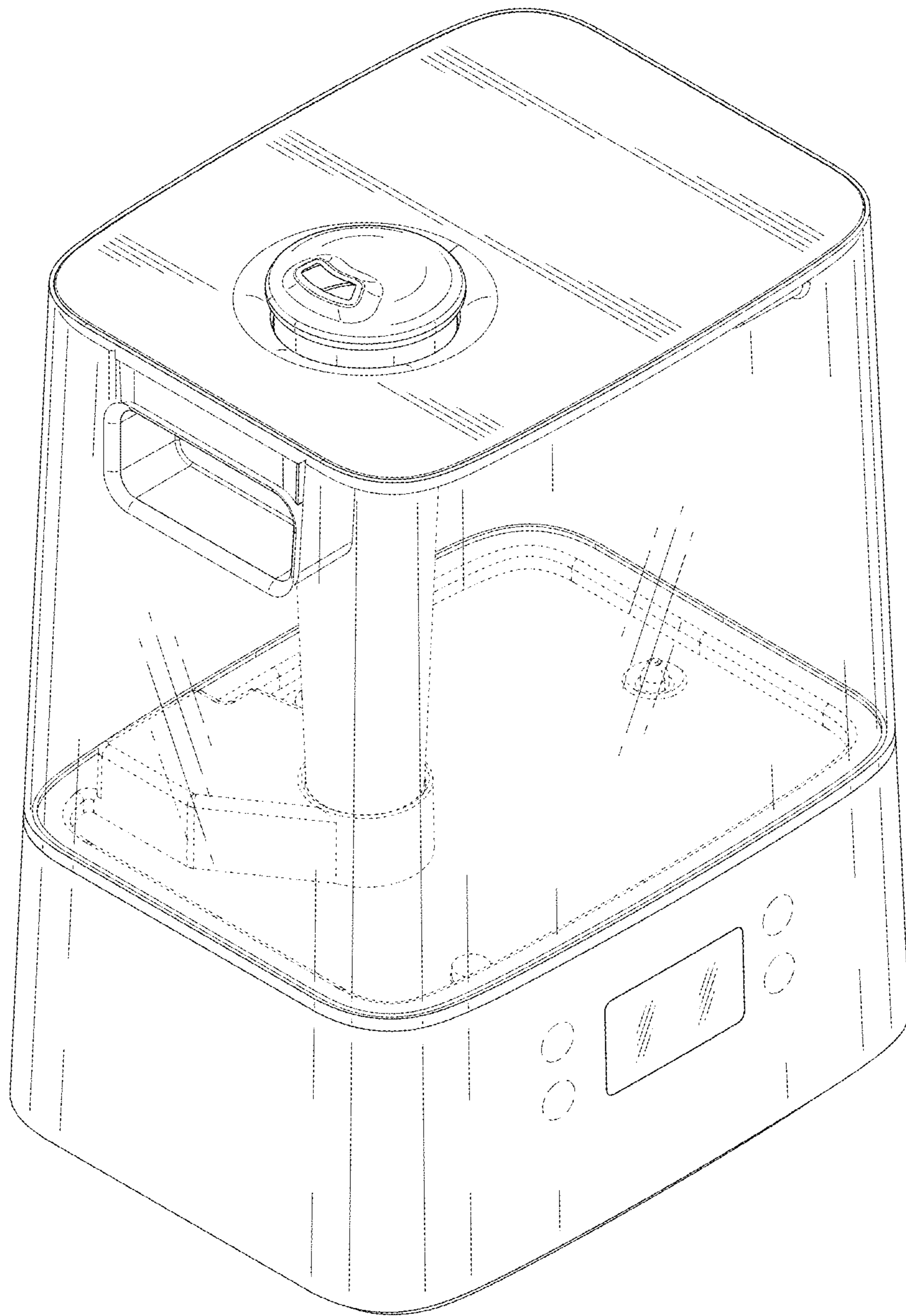


FIG. 1

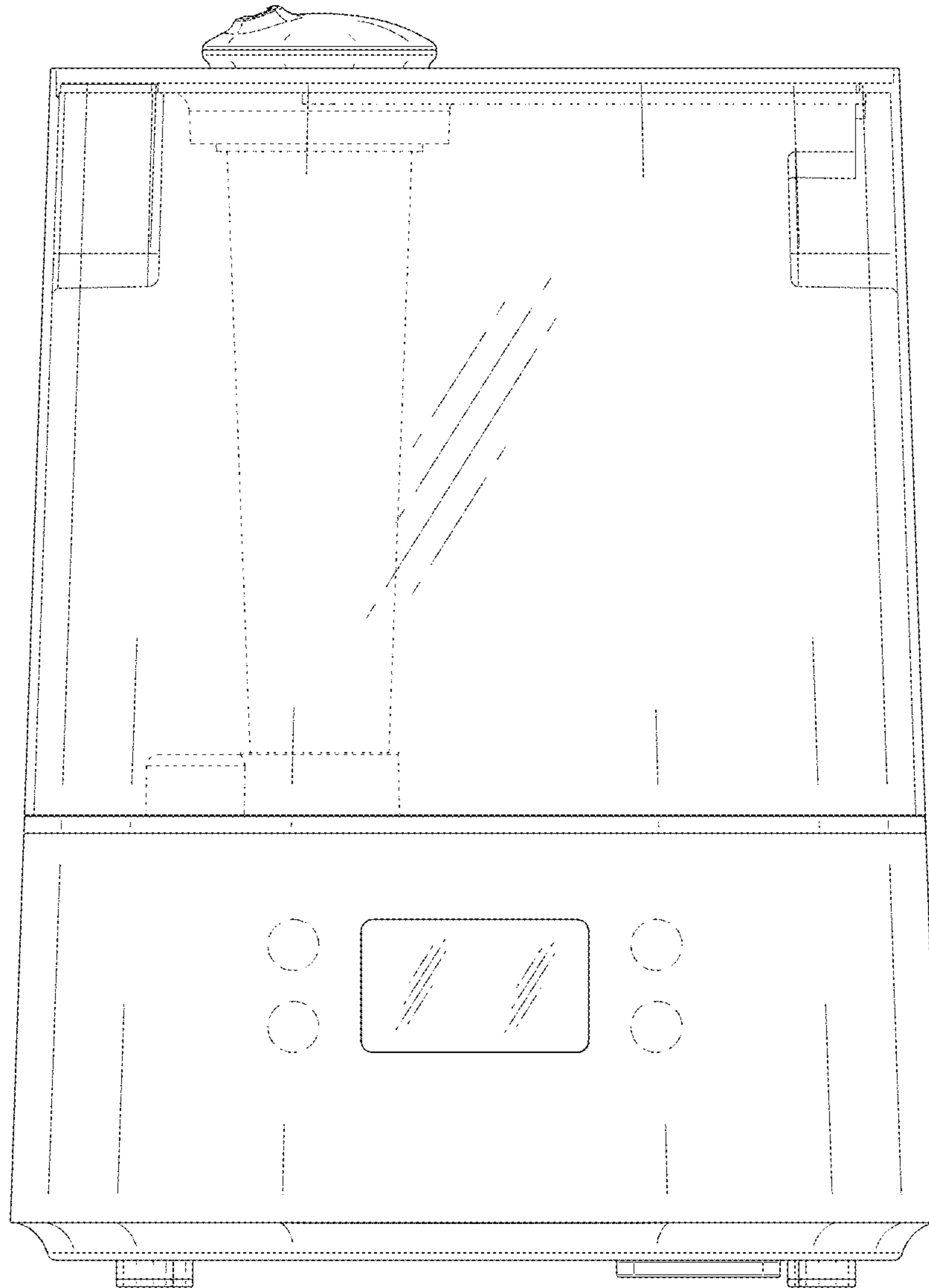


FIG. 2

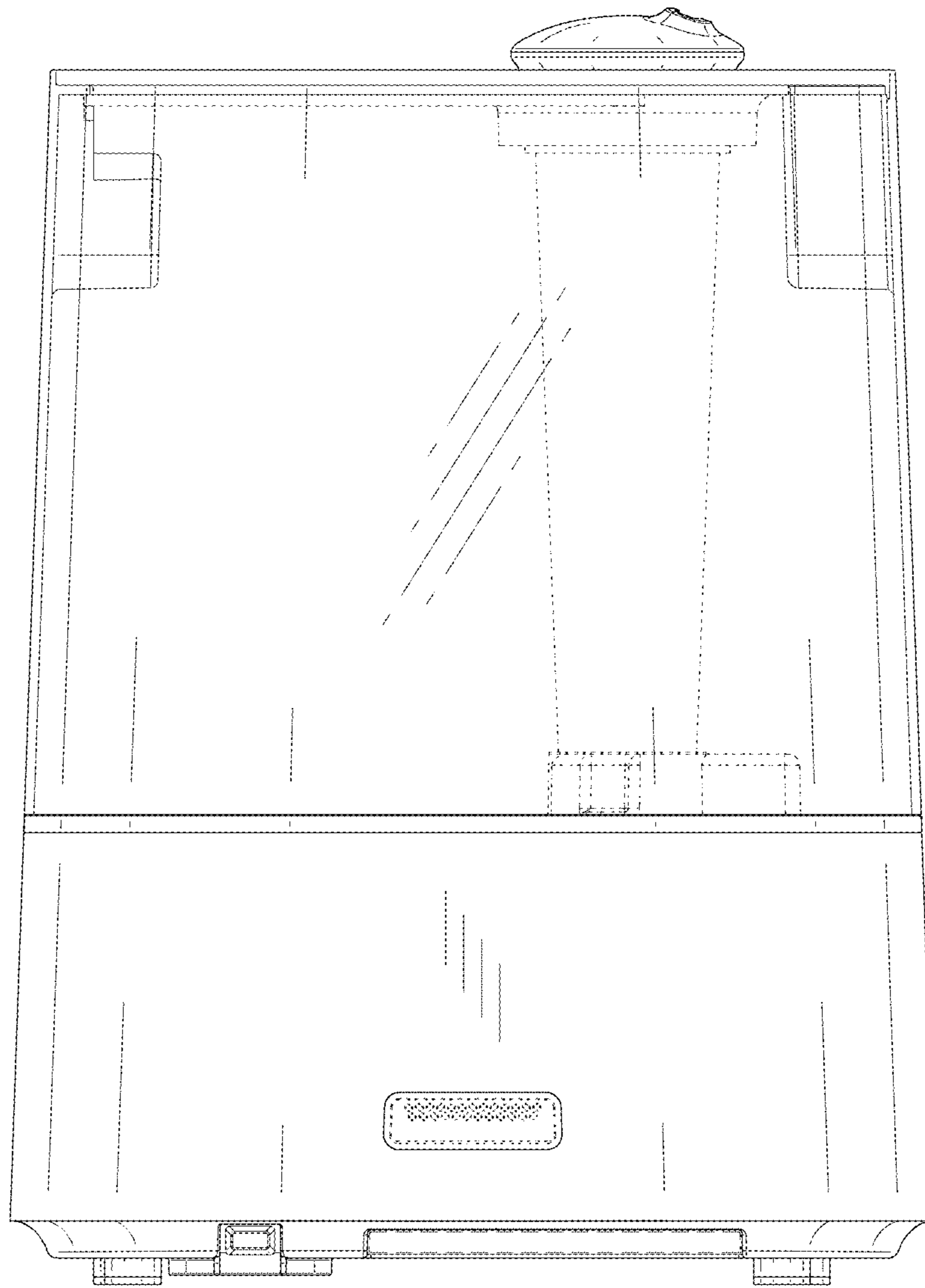


FIG. 3

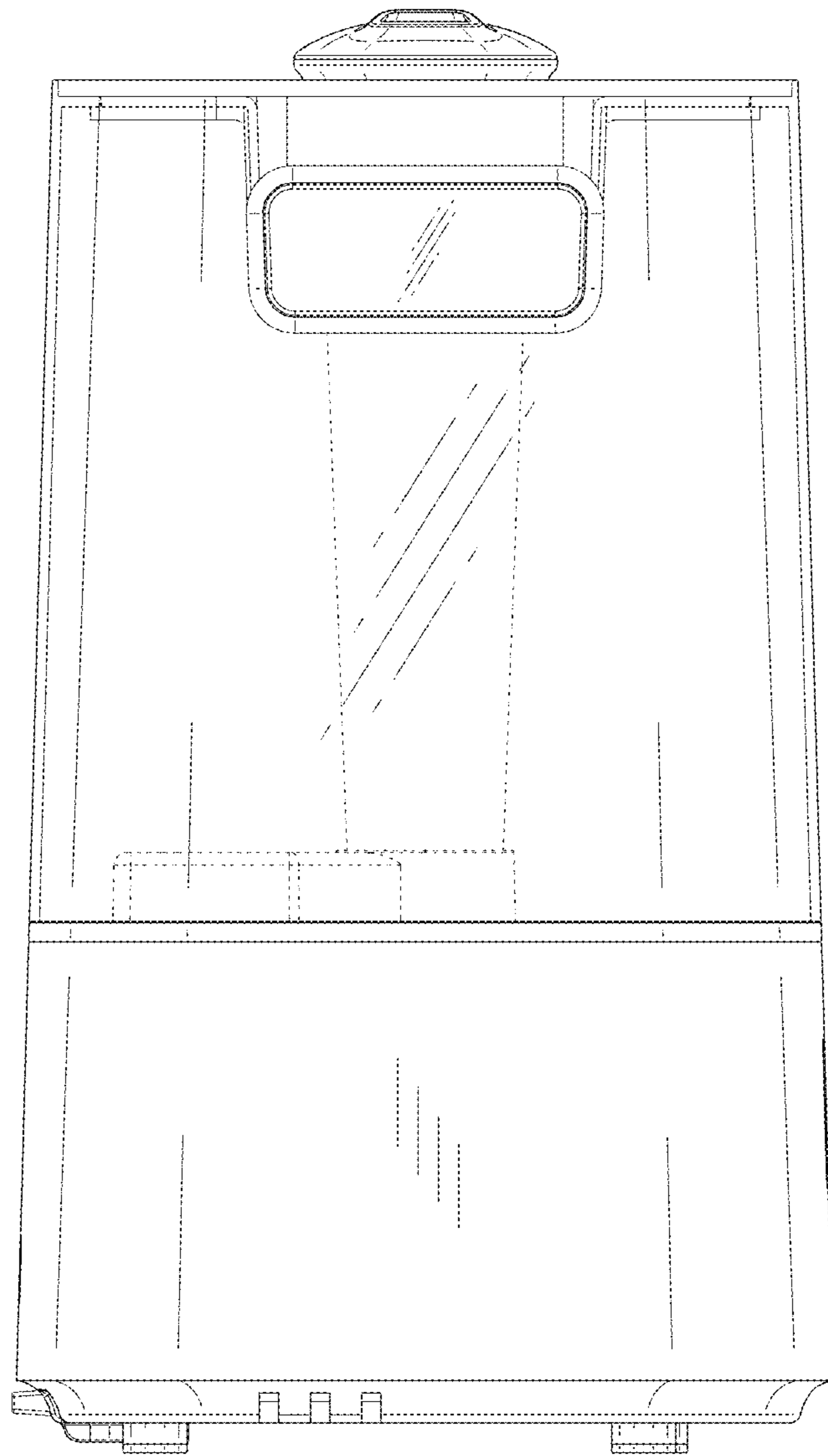


FIG.4

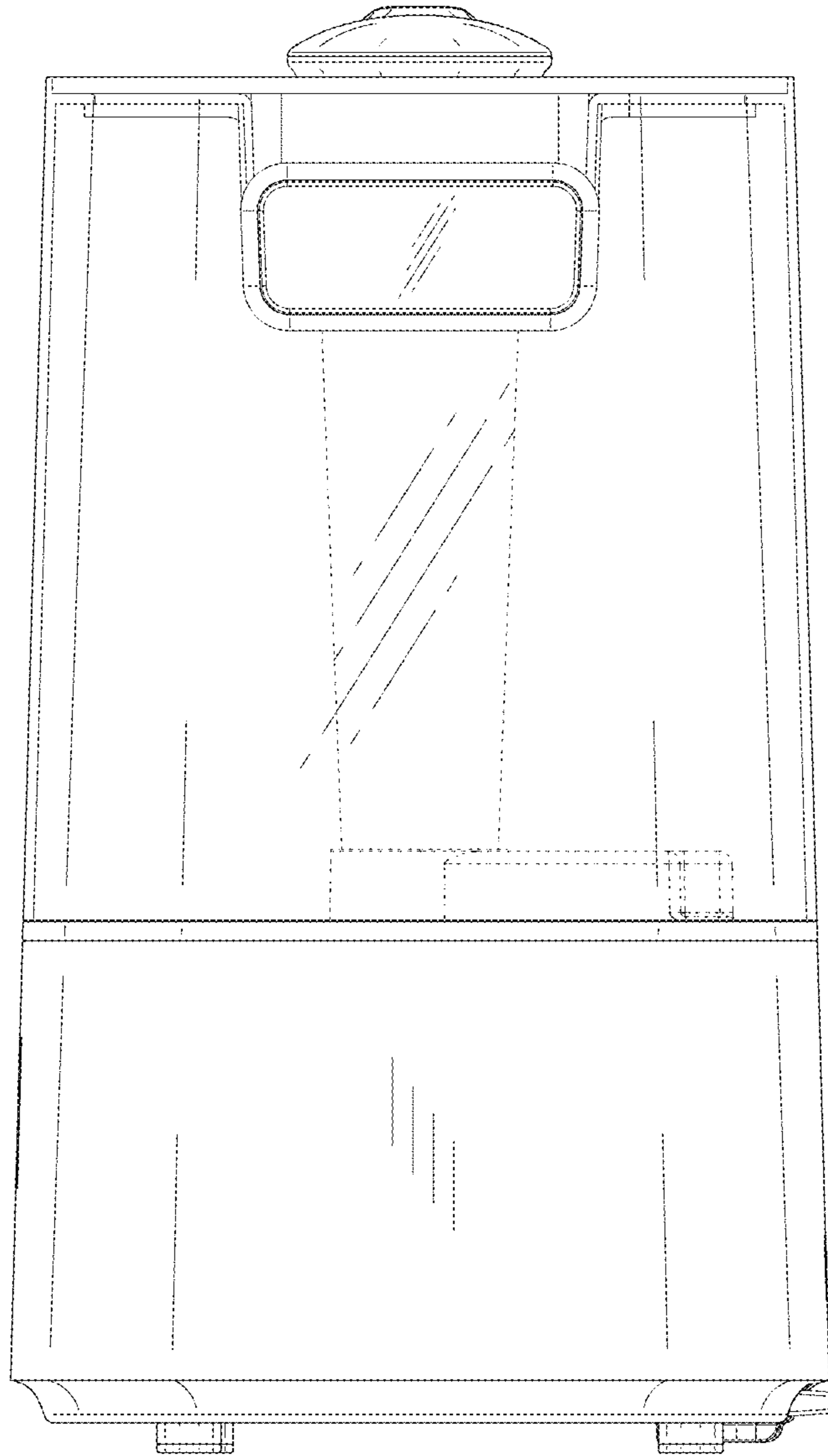


FIG. 5

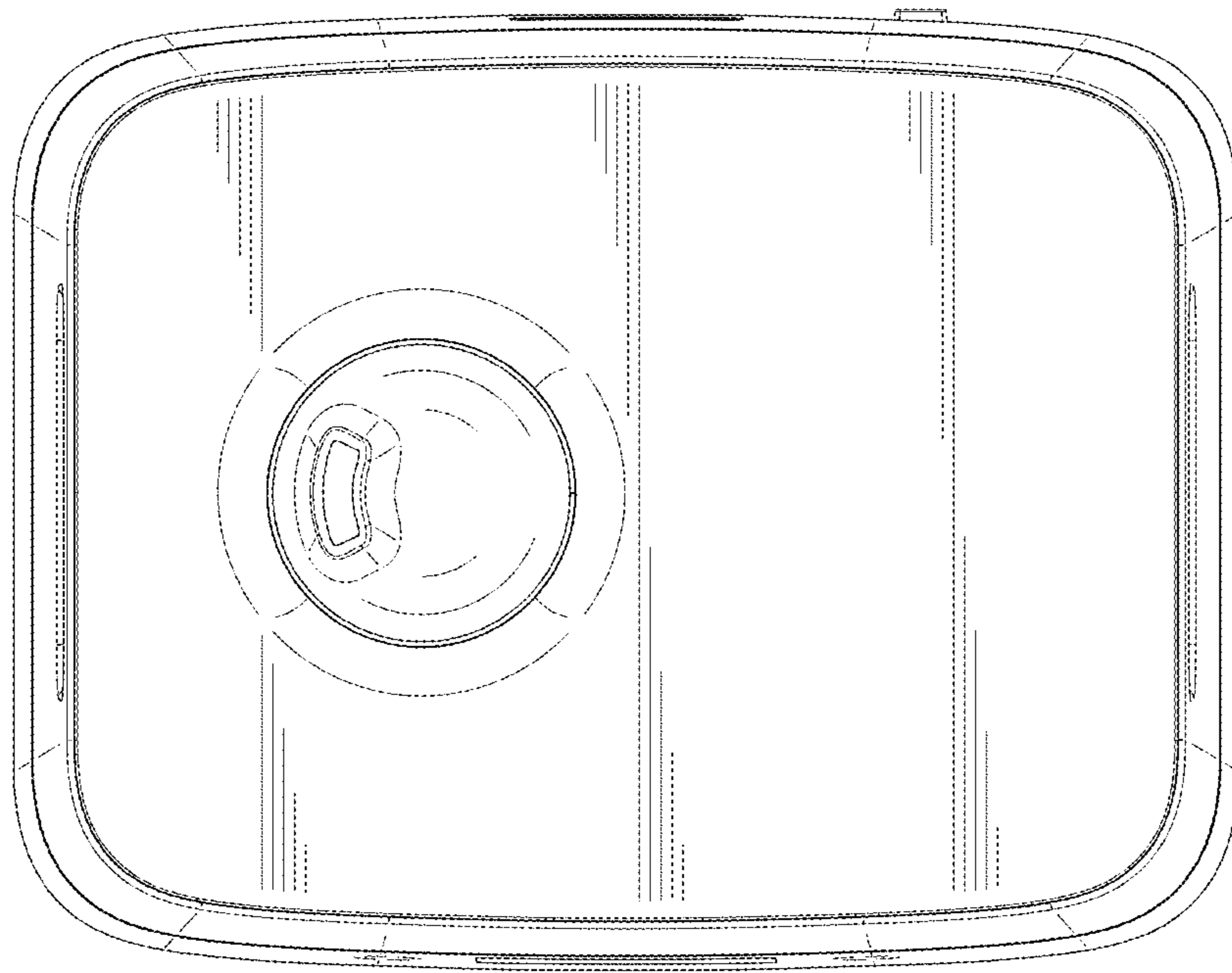


FIG.6

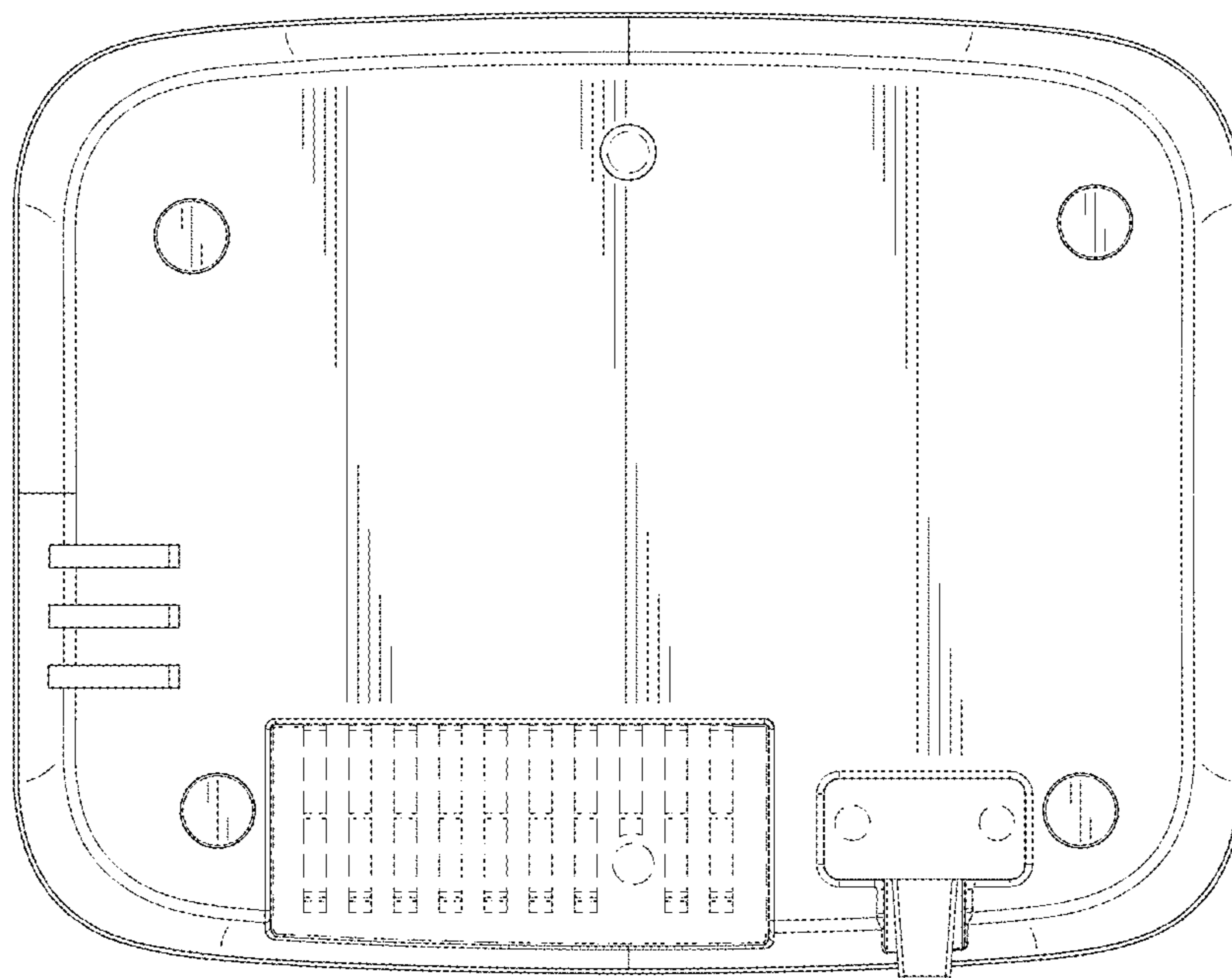


FIG. 7