



US00D960335S

(12) **United States Design Patent** (10) **Patent No.:** **US D960,335 S**
McKeone et al. (45) **Date of Patent:** **** Aug. 9, 2022**

(54) **TOILET**
(71) Applicant: **Kohler Co.**, Kohler, WI (US)
(72) Inventors: **William M. McKeone**, Sheboygan, WI (US); **Seth M. Stevens**, Tarrytown, NY (US); **Coralee S. Sandee**, Sheboygan, WI (US); **Jovello T. Gomez**, Kohler, WI (US)
(73) Assignee: **KOHLER CO.**, Kohler, WI (US)

646,366 A 3/1900 Durst
653,314 A 7/1900 Rhodes
653,315 A 7/1900 Richardson
654,993 A 7/1900 Martin
801,493 A 10/1905 Whittington
807,480 A 12/1905 Mathis
831,799 A 9/1906 Murray
D353,658 S 12/1994 Mckeone
D387,858 S 12/1997 Mckeone
D390,930 S 2/1998 Slothower
D392,725 S 3/1998 Garza
D412,742 S 8/1999 Soulier

(Continued)

(**) Term: **15 Years**

OTHER PUBLICATIONS

(21) Appl. No.: **29/751,956**

Hometure Dual Flush Elongated One Piece Toilet [Jul. 27, 2019].
(Continued)

(22) Filed: **Sep. 24, 2020**

Related U.S. Application Data

(62) Division of application No. 29/719,709, filed on Jan. 7, 2020, now Pat. No. Des. 912,787, which is a division of application No. 29/644,900, filed on Apr. 20, 2018, now Pat. No. Des. 875,225.

Primary Examiner — John A Voytek

(74) *Attorney, Agent, or Firm* — Foley & Lardner LLP

(51) **LOC (13) Cl.** **23-02**

(57) **CLAIM**

We claim the ornamental design for a toilet, as shown and described.

(52) **U.S. Cl.**
USPC **D23/309**

DESCRIPTION

(58) **Field of Classification Search**
USPC D23/295–303, 309, 311–313
CPC A47K 11/02; A47K 11/026; A47K 11/00;
A47K 13/00; E03D 11/18; E03D 5/10;
E03D 13/00

FIG. 1 is a top, front, right perspective view of the claimed design;
FIG. 2 is a right side elevation view thereof;
FIG. 3 is a left side elevation view thereof;
FIG. 4 is a front elevation view thereof;
FIG. 5 is a rear elevation view thereof;
FIG. 6 is a top plan view thereof; and,
FIG. 7 is a bottom plan view thereof.

See application file for complete search history.

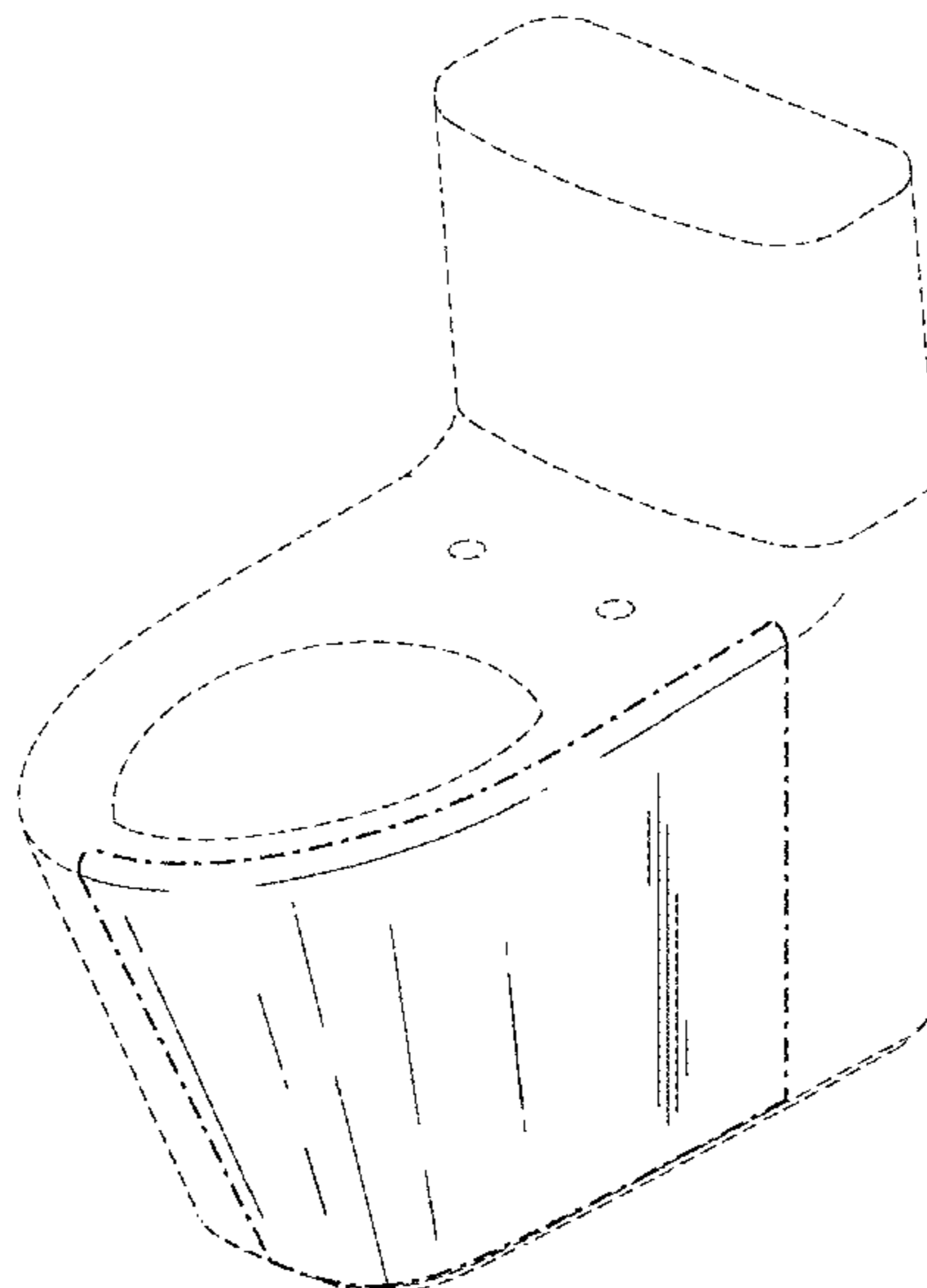
The broken lines in the drawings are for illustrative purposes only and form no part of the claimed design. Broken lines formed by equal length dashes show unclaimed subject matter. Broken lines formed by unequal length dashes (i.e., dash-dot) define bounds of the claimed design.

(56) **References Cited**

U.S. PATENT DOCUMENTS

558,313 A 4/1896 Eose
582,530 A 5/1897 Hyatt
594,944 A 12/1897 Gilbert
615,635 A 12/1898 Peltier
624,165 A 5/1899 Bowdisii

1 Claim, 4 Drawing Sheets



(56)

References Cited

U.S. PATENT DOCUMENTS

D441,437 S 5/2001 Mckeone
 D451,175 S 11/2001 Smith
 D514,673 S 2/2006 Lanius
 D515,185 S 2/2006 Daikubara
 D515,186 S 2/2006 Lanius
 D523,126 S 6/2006 Bates
 D532,875 S 11/2006 Kaule
 D536,771 S 2/2007 Chenesseau
 D539,881 S 4/2007 Bates
 D542,396 S 5/2007 Bates
 D556,301 S 11/2007 Lin et al.
 D558,313 S 12/2007 Igarashi et al.
 D582,530 S 12/2008 Cummings et al.
 D586,893 S * 2/2009 Cummings D23/295
 D586,894 S * 2/2009 Cummings D23/295
 D594,944 S 6/2009 Starck
 D600,333 S * 9/2009 Liu D23/295
 D601,233 S 9/2009 Kergoet
 D602,137 S 10/2009 Kergoet
 D615,635 S 5/2010 Hanna
 D620,566 S * 7/2010 Ogata D23/301
 D621,488 S 8/2010 Bucher
 D624,165 S 9/2010 Yokoyama et al.
 D637,702 S 5/2011 Rexach
 D639,401 S * 6/2011 Starck D23/295
 D641,459 S 7/2011 Corpuz
 D646,366 S 10/2011 Palomba et al.
 D649,627 S 11/2011 Corpuz
 D653,314 S 1/2012 Yoshioka
 D653,315 S 1/2012 Yoshioka
 D654,993 S 2/2012 Ando et al.
 D657,030 S 4/2012 Bates
 D658,277 S * 4/2012 Iranyi D23/295
 D663,391 S * 7/2012 Iranyi D23/295
 D672,019 S 12/2012 Bucher
 D690,402 S 9/2013 Bates et al.
 D694,378 S 11/2013 Bates
 D694,379 S 11/2013 Bates
 D695,384 S 12/2013 Bates
 D703,796 S * 4/2014 McKeone D23/300
 D703,797 S * 4/2014 Shinozaki D23/300
 D704,316 S * 5/2014 Ishikawa D23/295

D733,270 S * 6/2015 Hao D23/301
 D750,763 S 3/2016 Eads
 D751,680 S 3/2016 McNinch
 D760,366 S * 6/2016 Cummings D23/300
 D765,228 S * 8/2016 Cummings D23/300
 D767,742 S 9/2016 Bates et al.
 D781,405 S 3/2017 Bates
 D792,565 S 7/2017 Ishikawa et al.
 D798,424 S 9/2017 Mesun et al.
 D800,281 S 10/2017 Bahler
 D801,490 S 10/2017 Stevenson et al.
 D801,491 S 10/2017 Stevenson et al.
 D801,493 S 10/2017 Bates et al.
 D802,105 S 11/2017 Stevenson et al.
 D802,106 S 11/2017 Stevenson et al.
 D807,480 S 1/2018 Chuk et al.
 D828,525 S * 9/2018 Cummings D23/295
 D831,799 S 10/2018 Obara et al.
 D847,959 S 5/2019 Bucher
 D852,493 S 7/2019 Lee et al.
 D875,225 S * 2/2020 McKeone D23/301
 D929,549 S * 8/2021 Moller D23/301
 D937,995 S * 12/2021 Bucher D23/284
 D938,560 S * 12/2021 Bucher D23/295
 2006/0112478 A1 * 6/2006 Kolar F04D 15/0209
 4/300
 2015/0275492 A1 * 10/2015 Momoe E03D 5/09
 4/406

OTHER PUBLICATIONS

International Search Report and Written Opinion on PCT/EP2016/058998 dated Jul. 8, 2016, pages.
 Joo et al., "Cyclic Peptides as Therapeutic Agents and Biochemical Tools", 2012, Biomolecular and Therapeutics, vol. 20, Issue 1, pp. 19-26.
 Tanaka et al., Exploring Enzymatic Catalysis at a Solid Surface: A Case Study with Transglutaminase-Mediated Protein Immobilization, 2007, Organic and Biomolecular Chemistry, vol. 5, No. 11, pp. 1764-1770.
 Zang et al., "Tight-binding Streptavidin Ligands from a Cyclic Peptide Library", Sep. 8, 1998, Biorganic and Medicinal Chemistry Letters, vol. 8, No. 17, pp. 2327-2332.

* cited by examiner

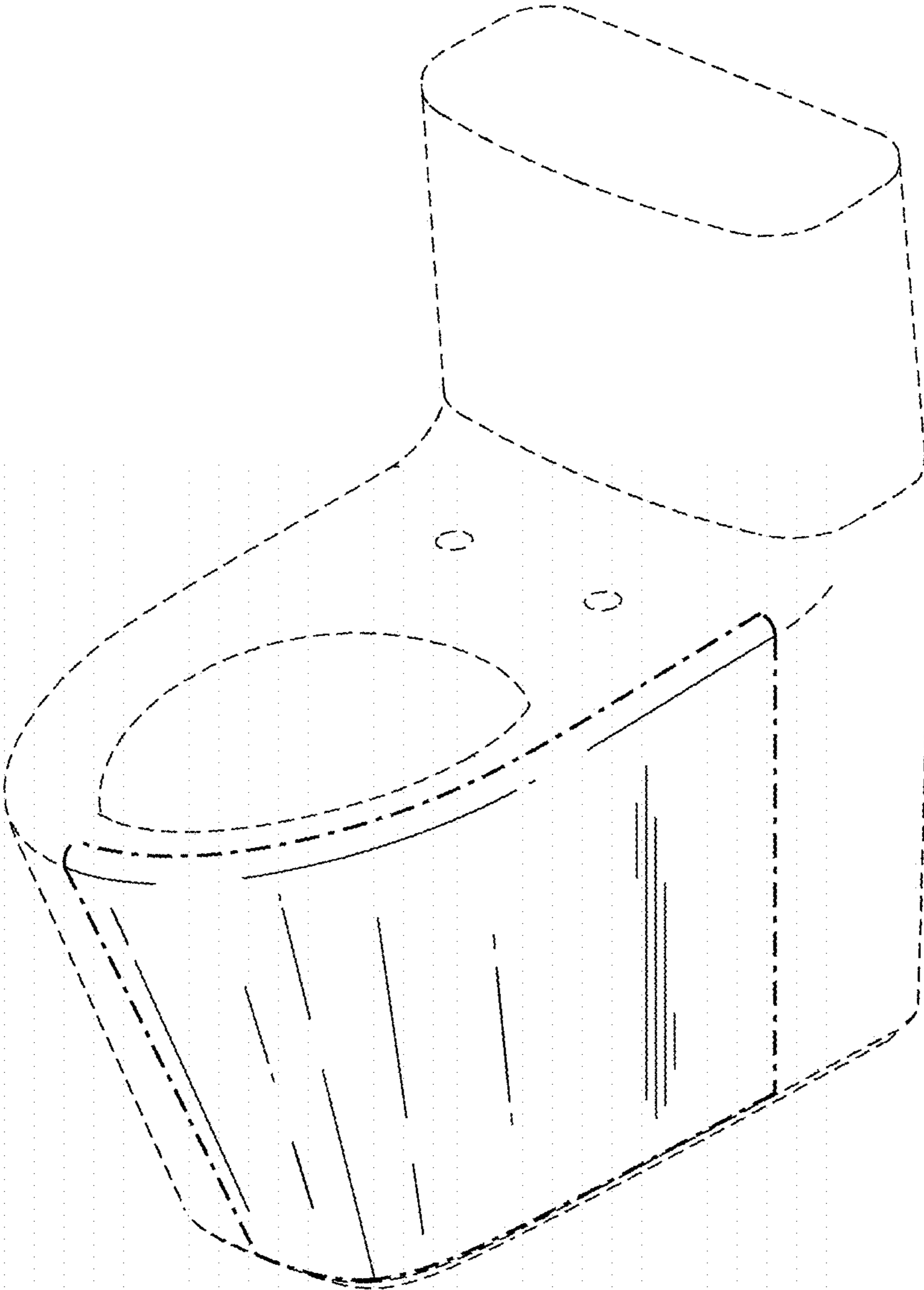


FIG. 1

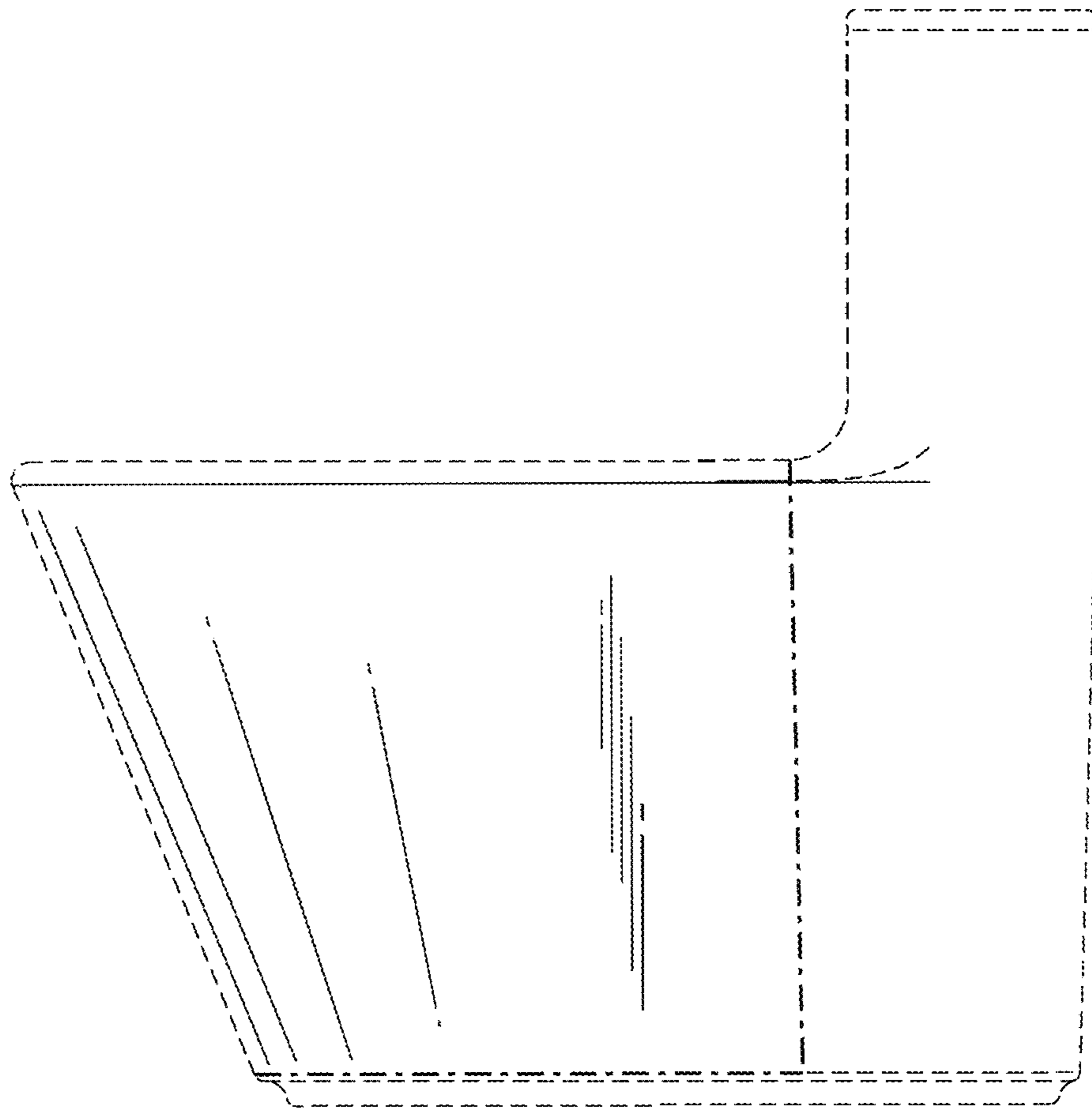


FIG. 2

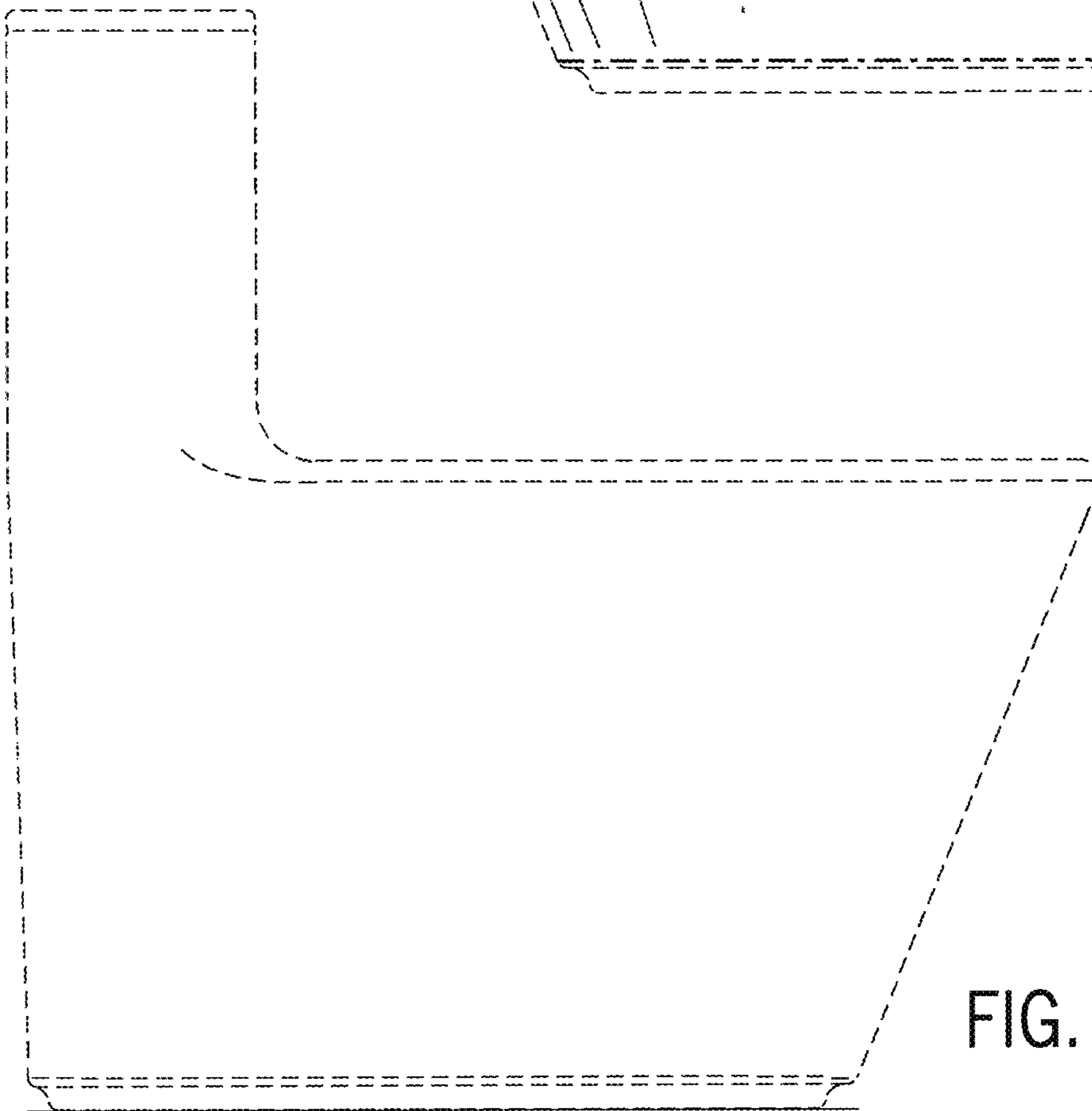


FIG. 3

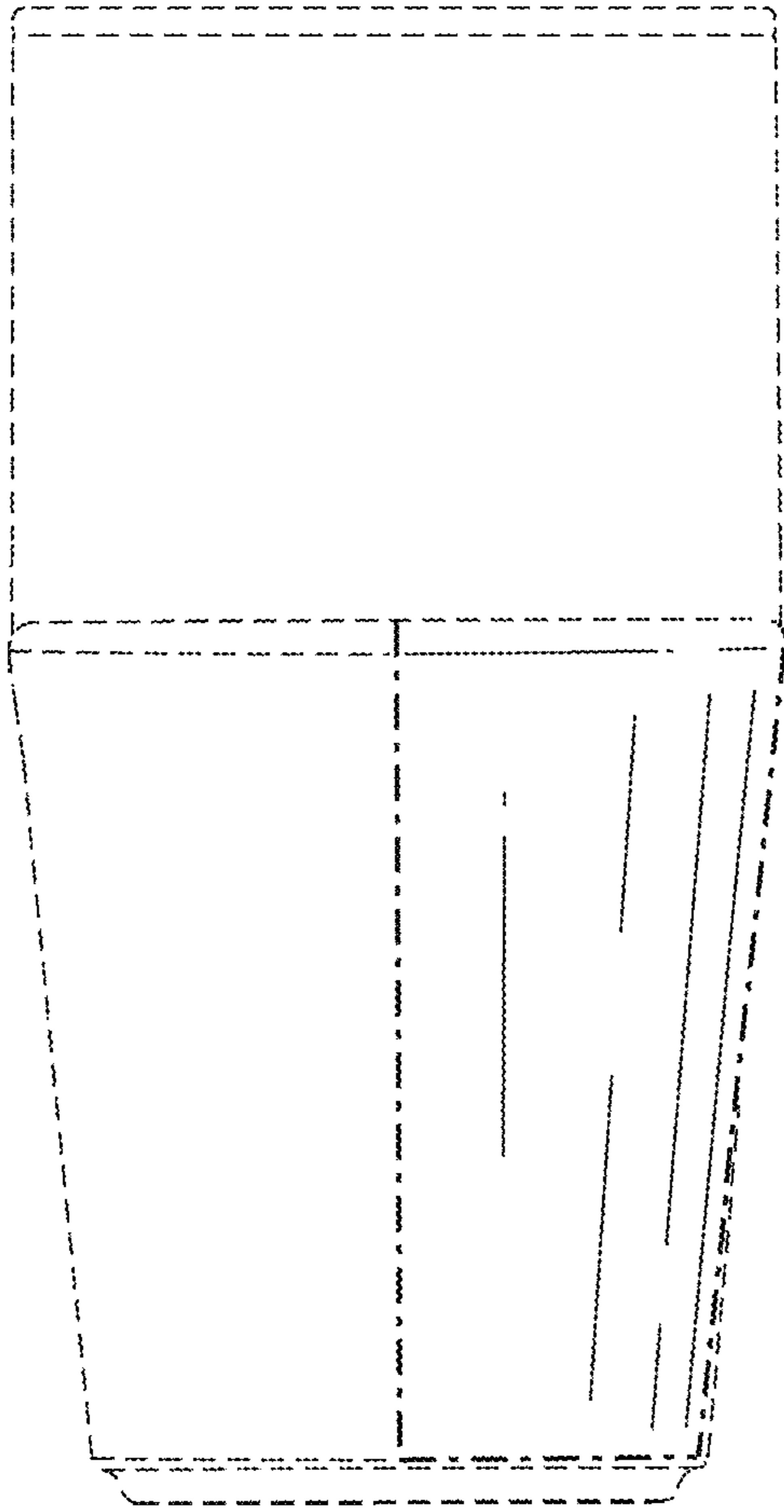


FIG. 4

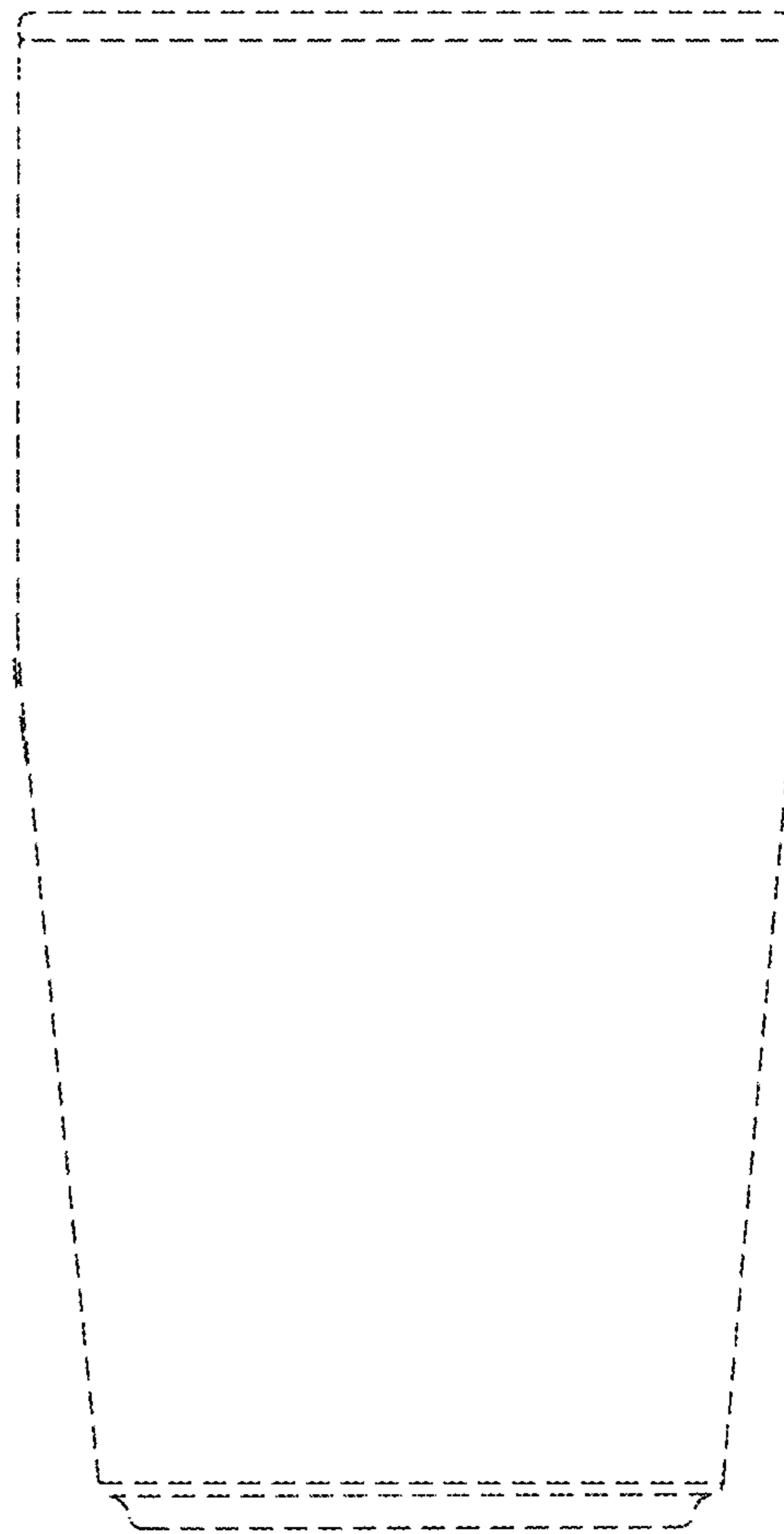


FIG. 5

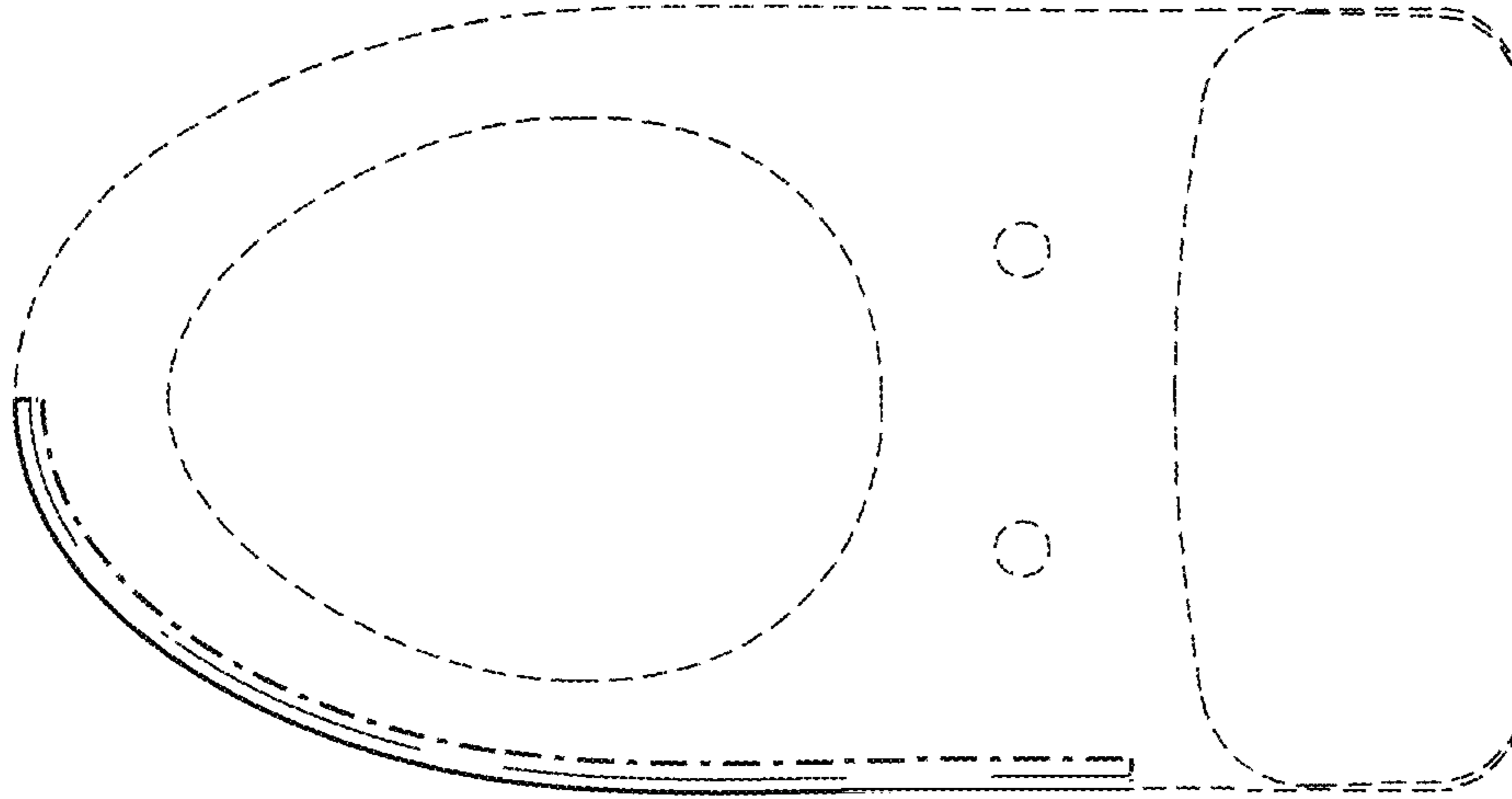


FIG. 6

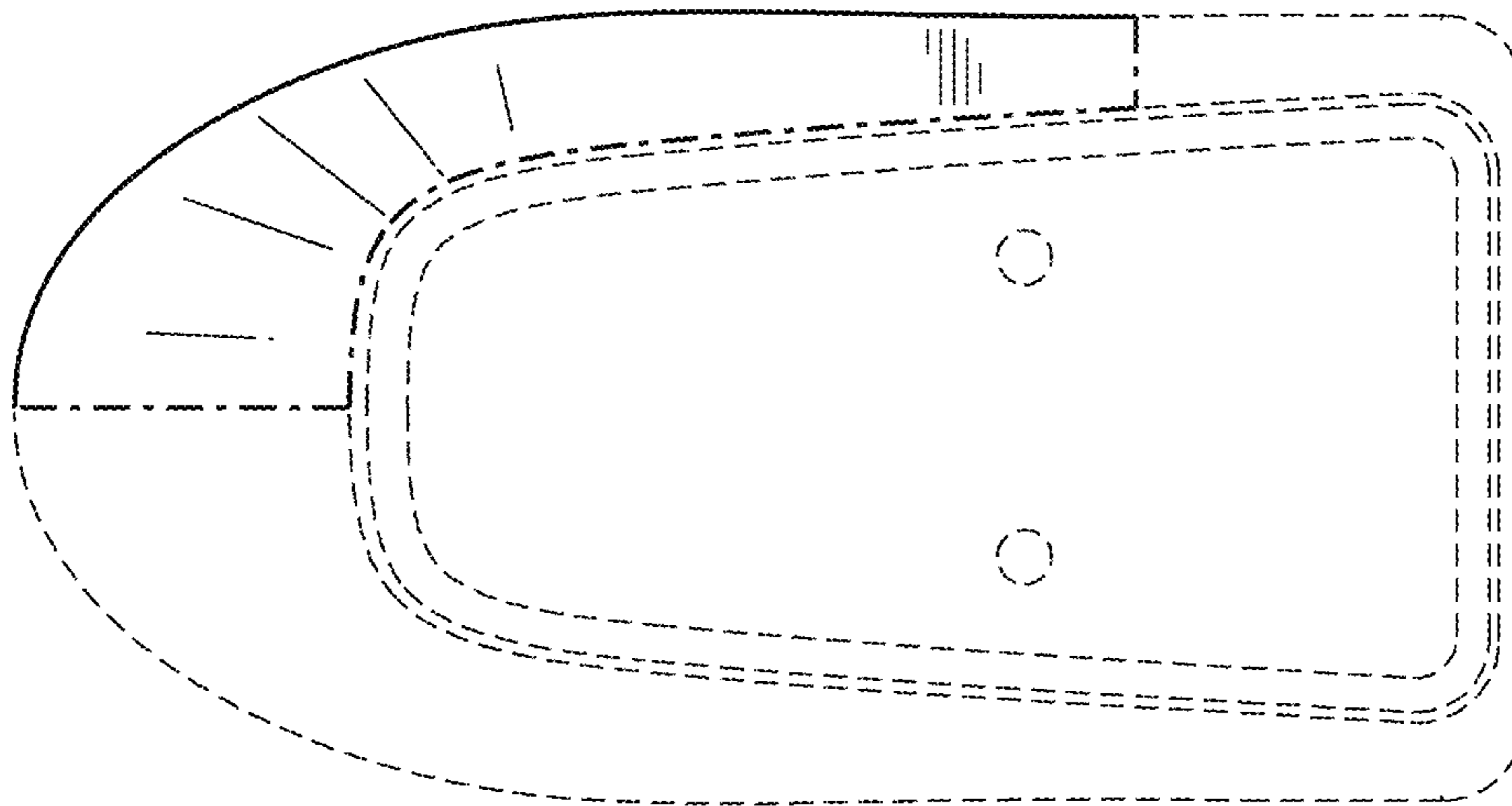


FIG. 7