



US00D960332S

(12) **United States Design Patent**
Liu

(10) **Patent No.:** **US D960,332 S**

(45) **Date of Patent:** **** Aug. 9, 2022**

(54) **SINK**

D507,334 S * 7/2005 Ferrer Beltran D23/293.1
D538,405 S * 3/2007 Trepanier D23/286
D943,716 S * 2/2022 Haas D23/290

(71) Applicant: **HOKWANG INDUSTRIES CO., LTD.**, New Taipei (TW)

* cited by examiner

(72) Inventor: **Shen-Chen Liu**, New Taipei (TW)

Primary Examiner — Robert A Delehanty

(73) Assignee: **HOKWANG INDUSTRIES CO., LTD.**, New Taipei (TW)

(74) *Attorney, Agent, or Firm* — Muncy, Geissler, Olds & Lowe, P.C.

(**) Term: **15 Years**

(57) **CLAIM**

The ornamental design for the sink, as shown and described.

(21) Appl. No.: **29/758,798**

DESCRIPTION

(22) Filed: **Nov. 18, 2020**

(51) **LOC (13) Cl.** **23-02**

(52) **U.S. Cl.**
USPC **D23/284**

(58) **Field of Classification Search**
USPC D23/284, 286, 291–293.1, 308, 255
See application file for complete search history.

FIG. 1 is a perspective view of the sink showing my new design;

FIG. 2 is a front elevational view thereof;

FIG. 3 is a rear elevational view thereof;

FIG. 4 is a left side elevational view thereof;

FIG. 5 is a right side elevational view thereof;

FIG. 6 is a top plan view thereof; and,

FIG. 7 is another perspective view thereof.

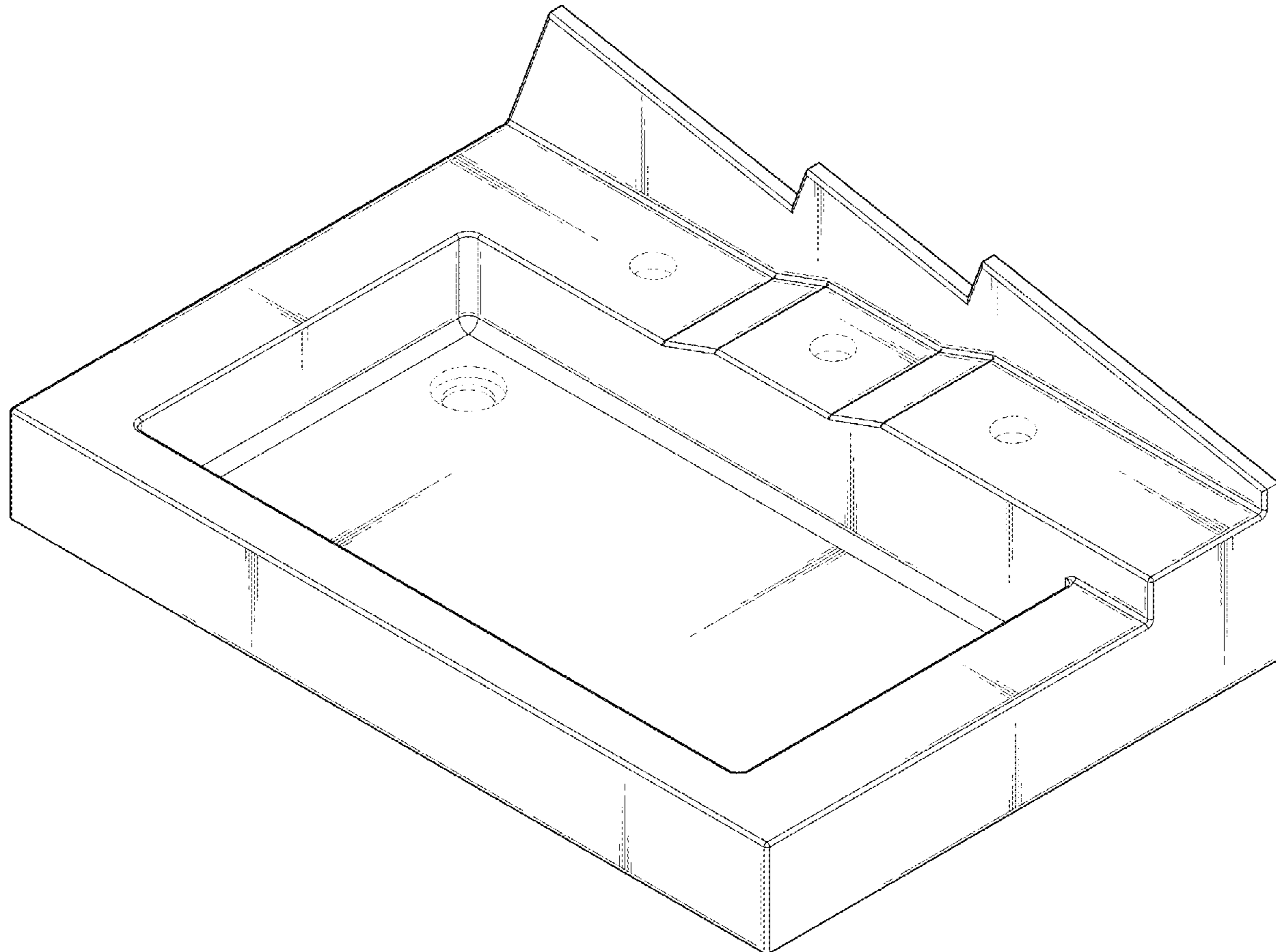
The broken lines illustrate unclaimed features that form no part of the claimed design. The bottom view is not a matter of ornamental concern and has been omitted from the drawings.

(56) **References Cited**

U.S. PATENT DOCUMENTS

D193,605 S * 9/1962 Corp D23/284
D274,281 S * 6/1984 Argandona D23/271

1 Claim, 7 Drawing Sheets



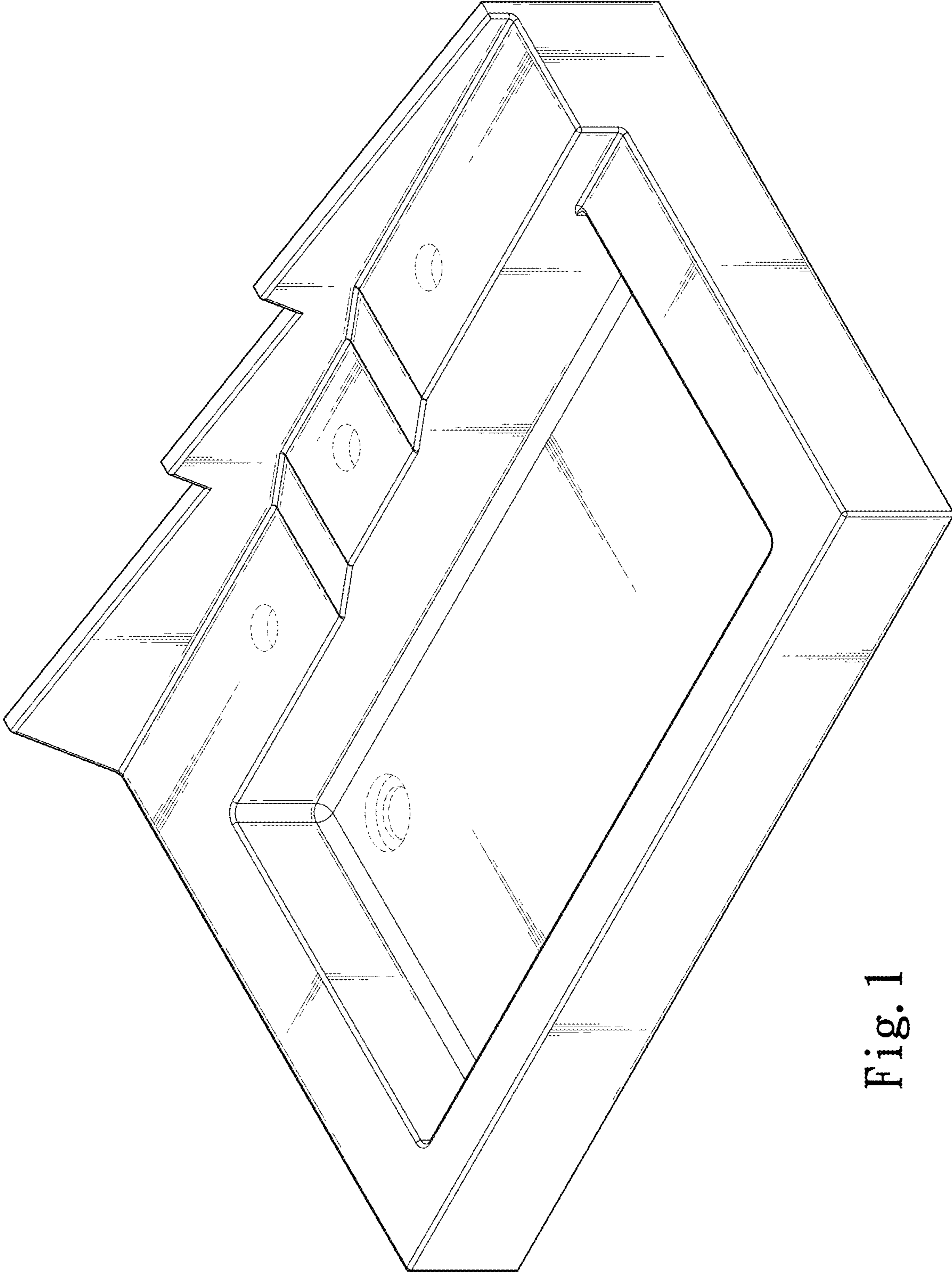


Fig. 1

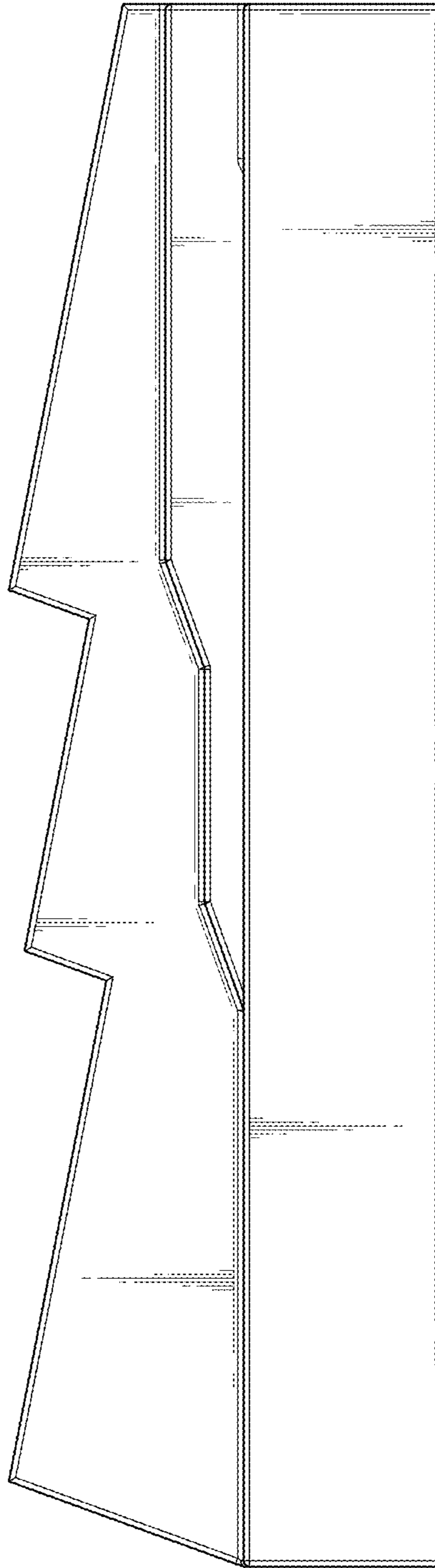


Fig. 2

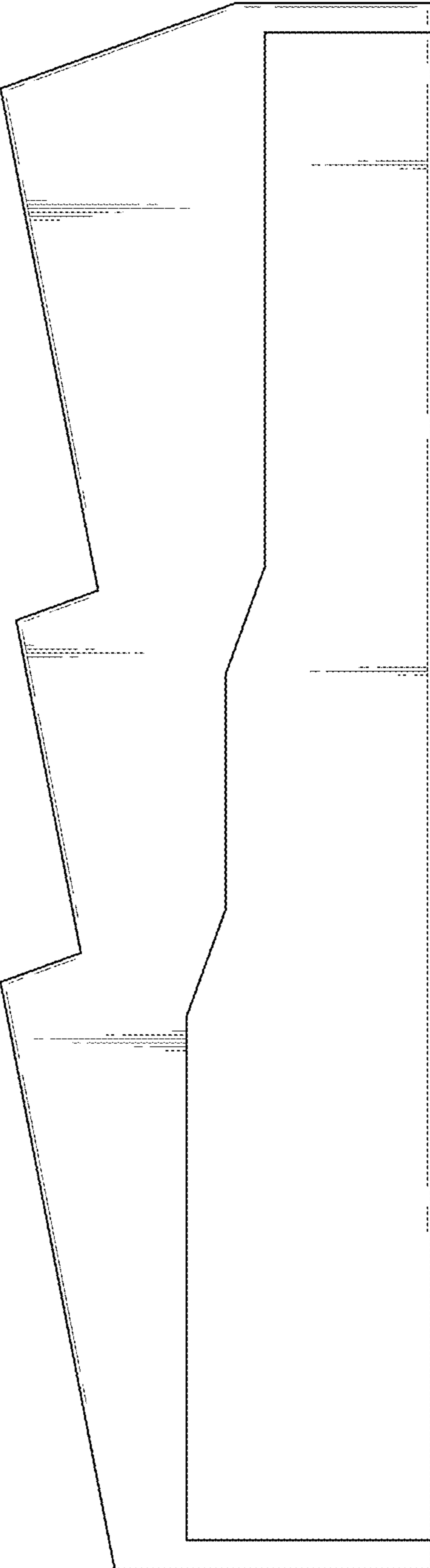


Fig. 3

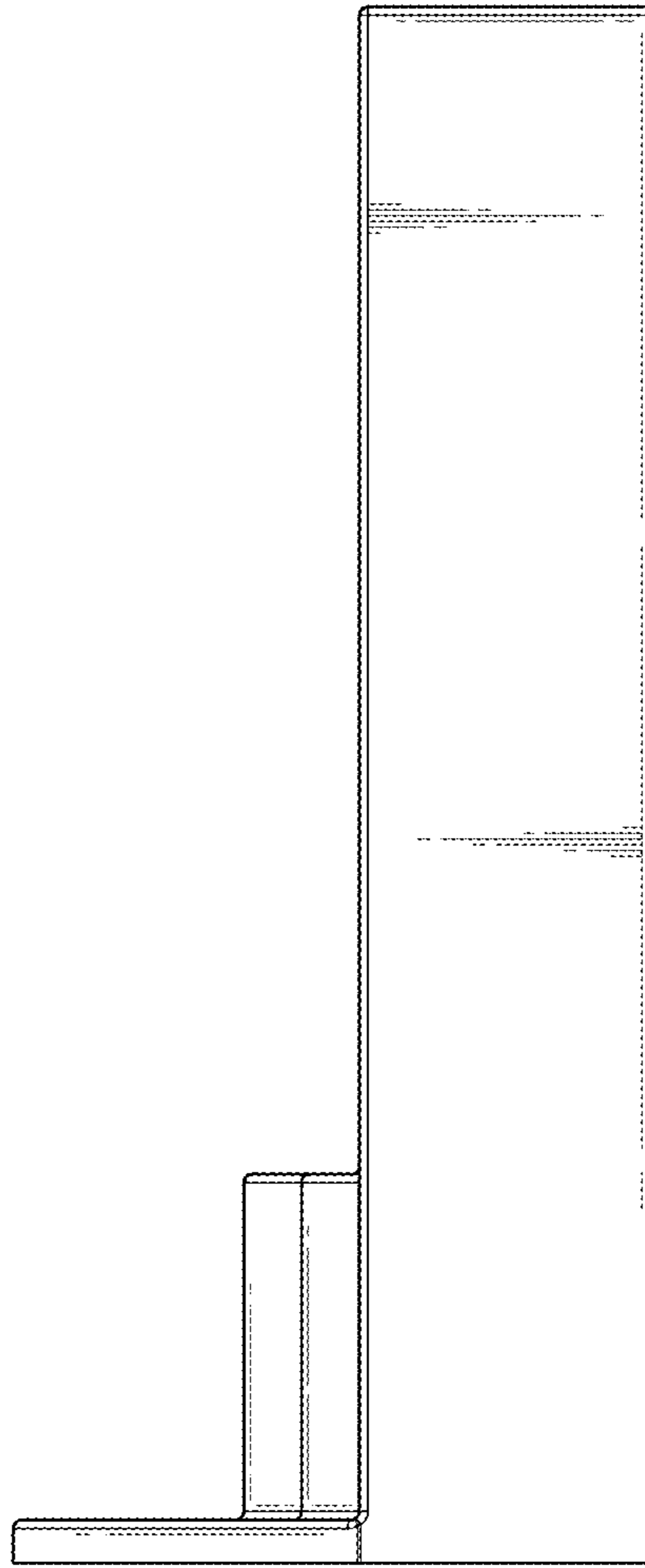


Fig. 4

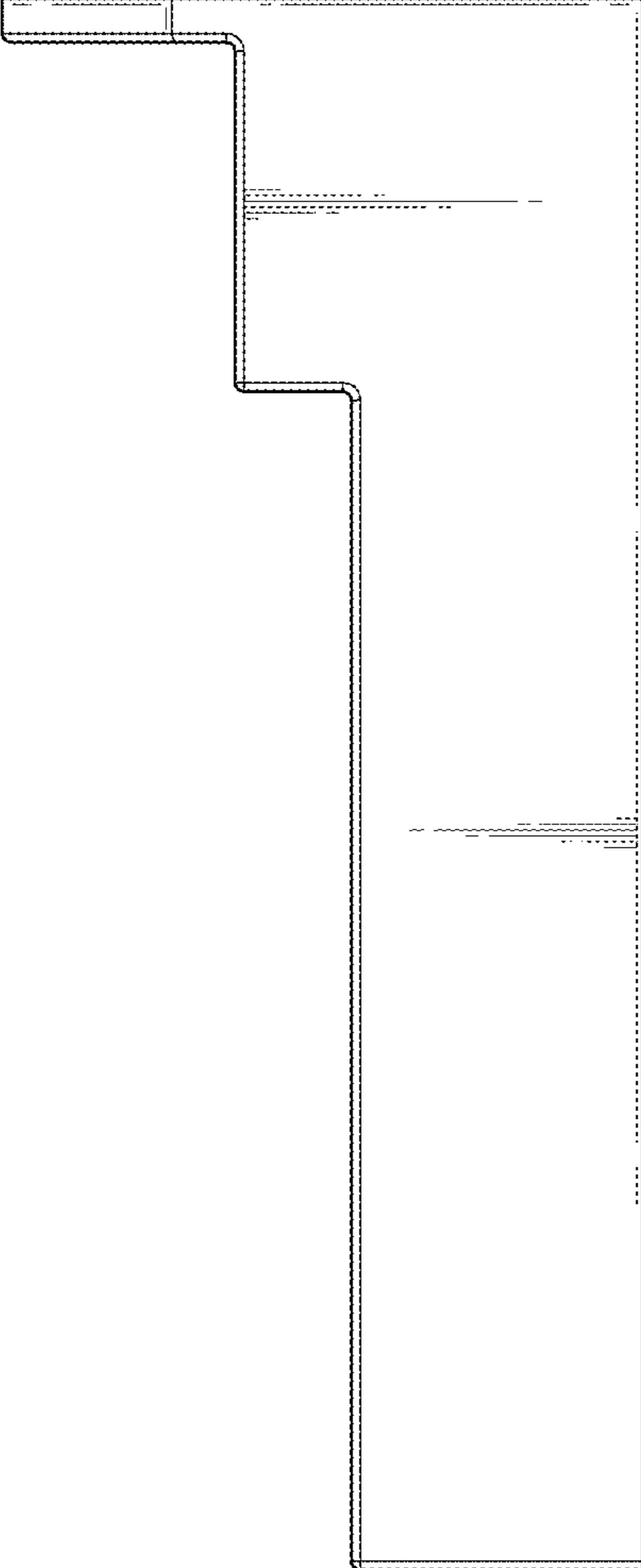


Fig. 5

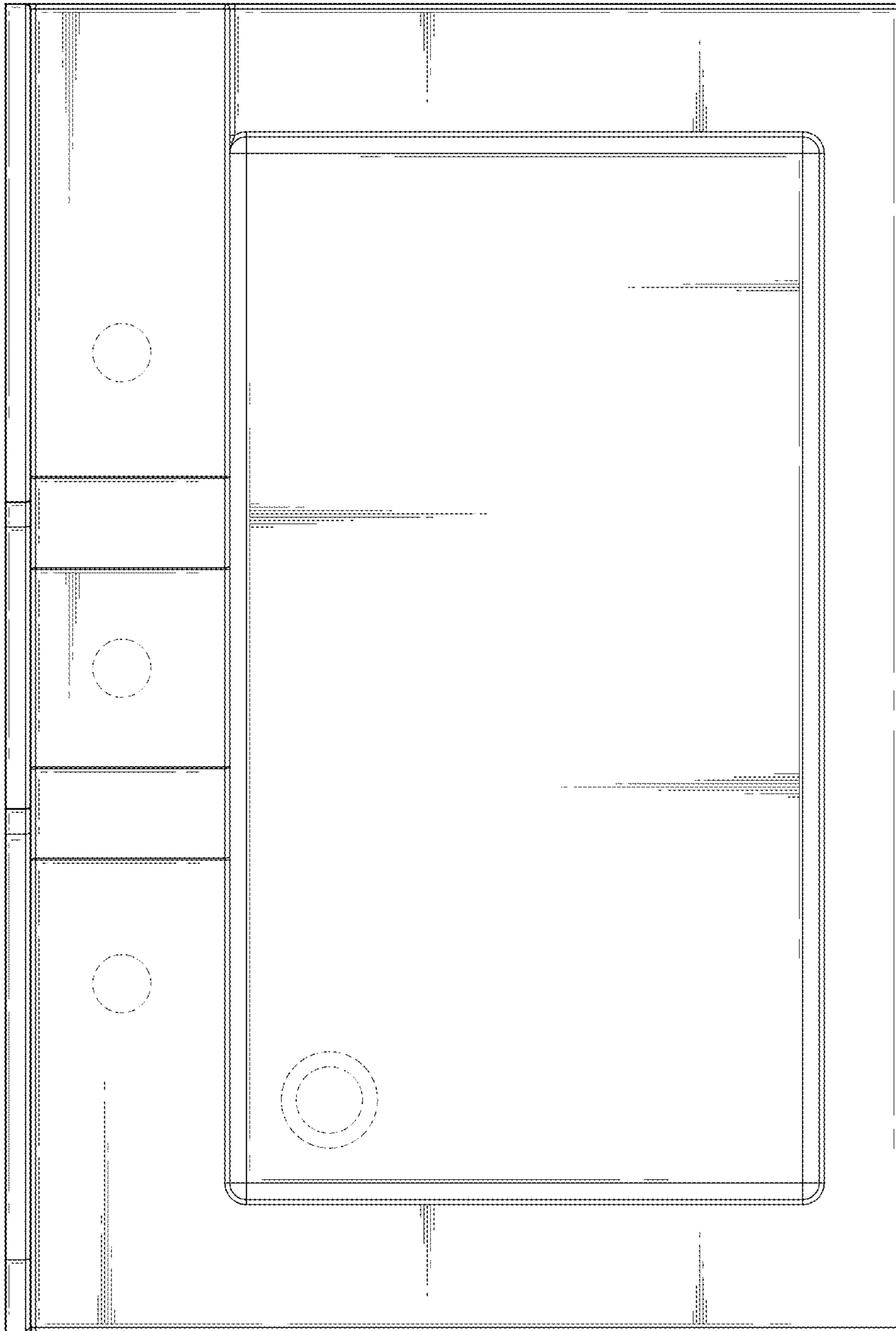


Fig. 6

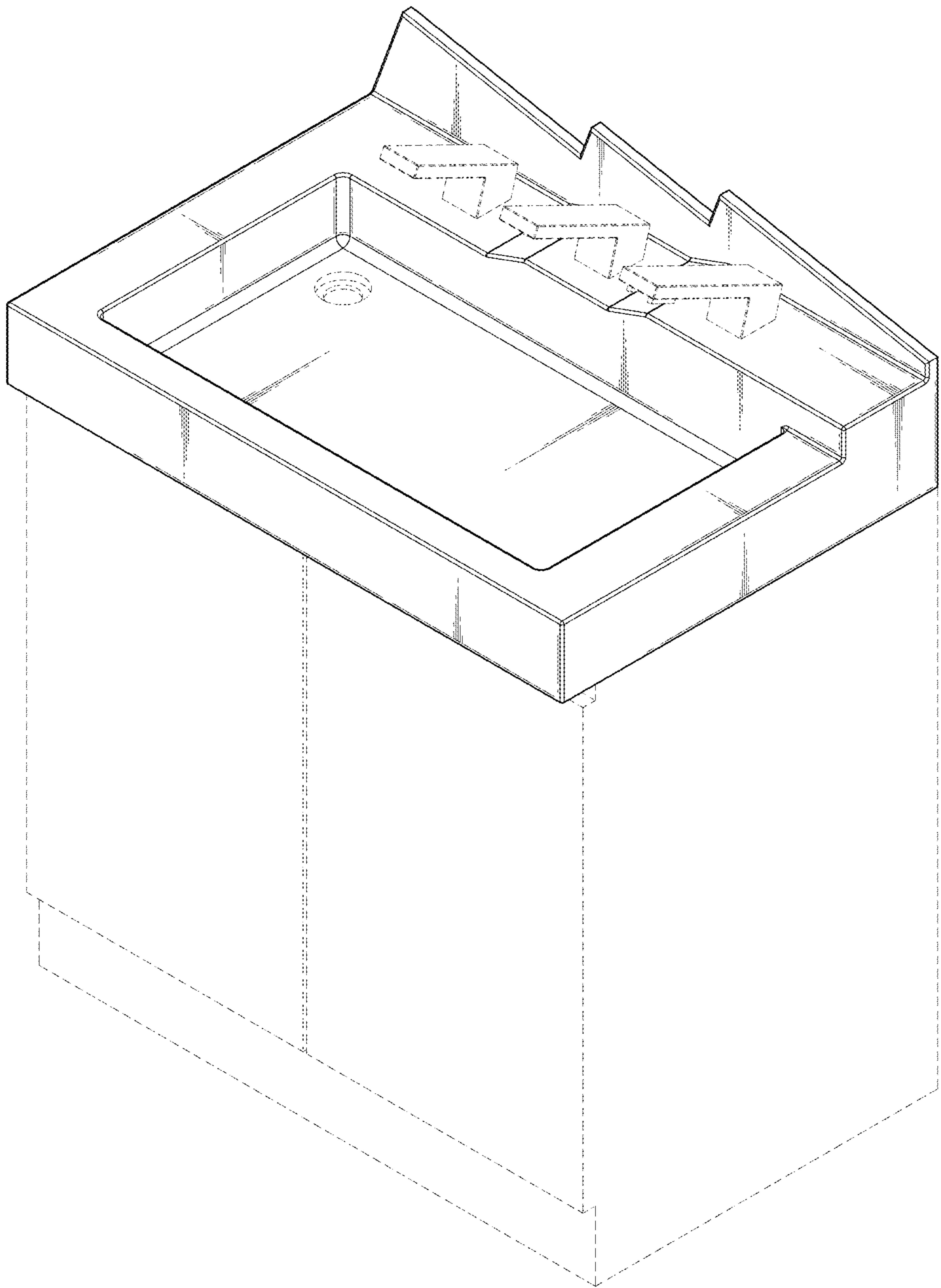


Fig. 7