

US00D960330S

(12) **United States Design Patent** (10) **Patent No.:** **US D960,330 S**  
**Lazarini et al.** (45) **Date of Patent:** **\*\* Aug. 9, 2022**

(54) **SHOWER ALERT**  
(71) Applicant: **DELTA FAUCET COMPANY,**  
Indianapolis, IN (US)  
(72) Inventors: **Alejandra Lazarini,** Carmel, IN (US);  
**Josh Wales,** Indianapolis, IN (US)  
(73) Assignee: **DELTA FAUCET COMPANY,**  
Indianapolis, IN (US)  
(\*\*) Term: **15 Years**  
(21) Appl. No.: **29/743,308**  
(22) Filed: **Jul. 21, 2020**  
(51) **LOC (13) Cl.** ..... **23-01**  
(52) **U.S. Cl.**  
USPC ..... **D23/262**  
(58) **Field of Classification Search**  
USPC ..... D23/213, 214, 215, 222, 223, 224, 226,  
D23/229, 230, 262; D10/96  
CPC ..... A61H 9/0021; A61H 33/00; B05B 1/00;  
B05B 1/14; B05B 1/185; B05B 1/08;  
B05B 1/02; B05B 1/26; B05B 12/002;  
B05B 1/18; B05B 9/01  
See application file for complete search history.

D828,197 S \* 9/2018 Tschudin ..... D10/96  
D838,614 S \* 1/2019 Tschudin ..... D10/96  
D838,615 S \* 1/2019 Tschudin ..... D10/96  
D838,616 S \* 1/2019 Tschudin ..... D10/96  
D921,855 S \* 6/2021 Garcia Blanco ..... D23/262  
D933,789 S \* 10/2021 O'Neil ..... D23/262  
D940,578 S \* 1/2022 Jungen ..... D10/96

**OTHER PUBLICATIONS**

Safety 1st Shower Thermometer, Jun. 1, 2013, amazon.co.uk., Oct. 23, 2021, URL: <https://www.amazon.co.uk/Safety-1st-33110141-Shower-Thermometer/dp/B00DJQTGES> (Year: 2013).\*  
Auto Power Off Waterproof Digital Shower Thermometer, Jun. 24, 2016, amazon.co.uk., Oct. 23, 2021, URL: <https://www.amazon.co.uk/Waterproof-Thermometer-Accurate-Measuring-Temperature/dp/B07QYR4GBG> (Year: 2016).\*

(Continued)

*Primary Examiner* — Keith J Wilson  
(74) *Attorney, Agent, or Firm* — Nirav D. Parikh; Edgar A. Zarins

(57) **CLAIM**

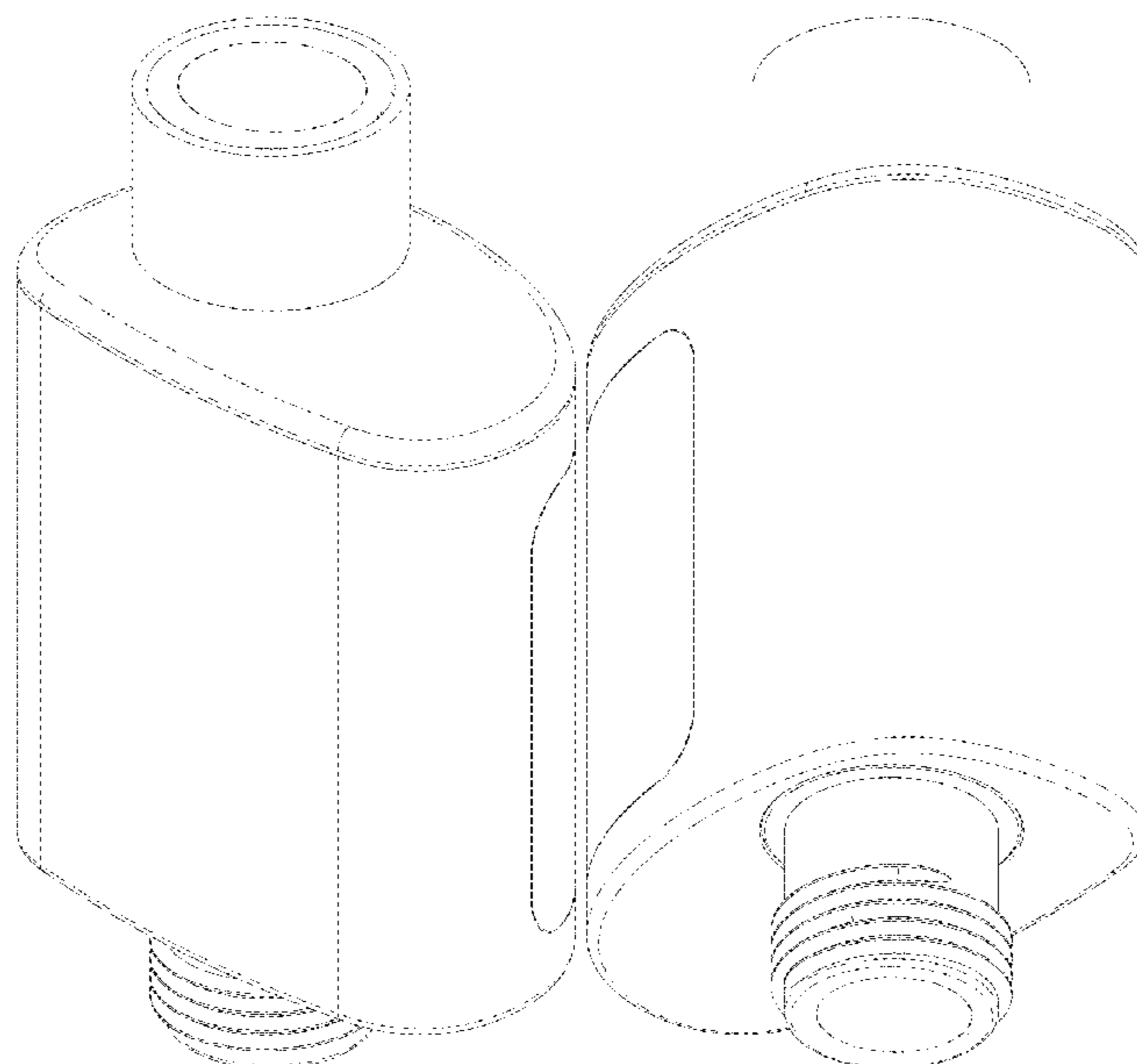
The ornamental design for a shower alert, as shown and described.

**DESCRIPTION**

FIG. 1 is a front perspective view of a shower alert showing my new design;  
FIG. 2 is rear perspective view thereof;  
FIG. 3 is a front elevational view thereof;  
FIG. 4 is a left side view thereof;  
FIG. 5 is a rear view thereof;  
FIG. 6 is a right side view thereof;  
FIG. 7 is a top plan view thereof; and,  
FIG. 8 is a bottom view thereof.  
The broken lines shown in the figures depict portions of the shower alert that forms no part of the claimed design.

**1 Claim, 4 Drawing Sheets**

(56) **References Cited**  
U.S. PATENT DOCUMENTS  
D337,278 S \* 7/1993 Arias ..... D10/49  
D365,771 S \* 1/1996 Clivio ..... D10/40  
D391,179 S \* 2/1998 Croft ..... D10/57  
D394,306 S \* 5/1998 Clivio ..... D23/262  
6,029,094 A \* 2/2000 Diffut ..... G05D 23/1393  
236/12.12  
7,124,452 B1 \* 10/2006 Bauza ..... E03C 1/055  
4/605  
D828,195 S \* 9/2018 Tschudin ..... D10/96  
D828,196 S \* 9/2018 Tschudin ..... D10/96



(56)

**References Cited**

OTHER PUBLICATIONS

Water Bath Thermometer LED Digital Shower Temperature Display, Nov. 20, 2019, amazon.com, Jan. 21, 2022, URL: <https://www.amazon.com/Thermometer-Temperature-Fahrenheit-Rotating-Bathroom/dp/B07ZFKQJMZ> (Year: 2019).\*

Digital Turbine Flow Meter Digital LCD Display with NPT Counter Gas Oil Fuel Flowmeter, Dec. 12, 2019, amazon.com Jan. 21, 2022, URL: <https://www.amazon.com/dp/B0865ZTKCL> (Year: 2019).\*

Savant Digital Flow Meter 3/8" NPT for Water Filter, May 28, 2020, amazon.com, Jan. 21, 2022, URL: <https://www.amazon.com/dp/B08BCNHKC4> (Year: 2020).\*

\* cited by examiner

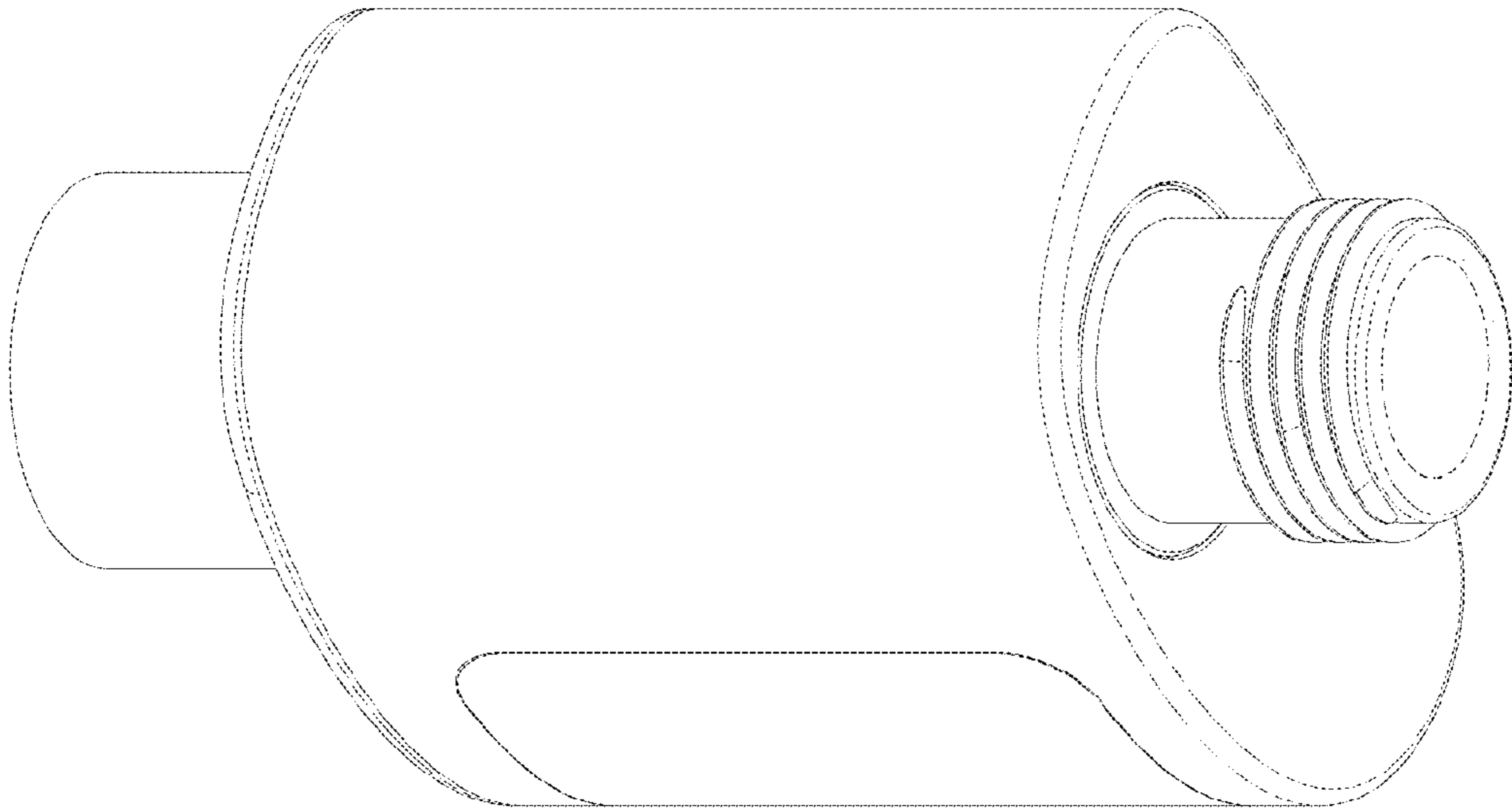


FIG - 2

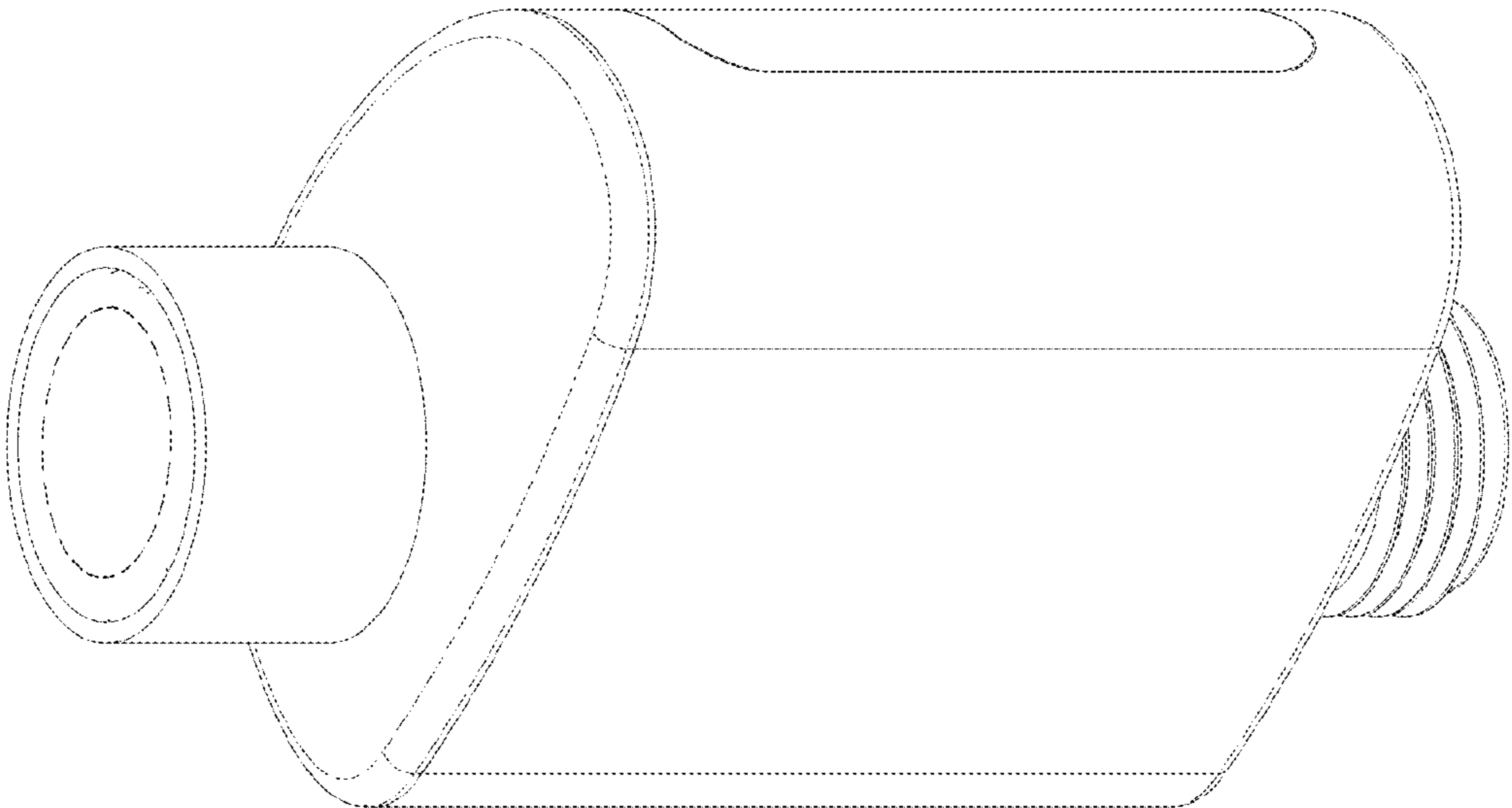


FIG - 1



FIG - 4



FIG - 3



FIG - 6

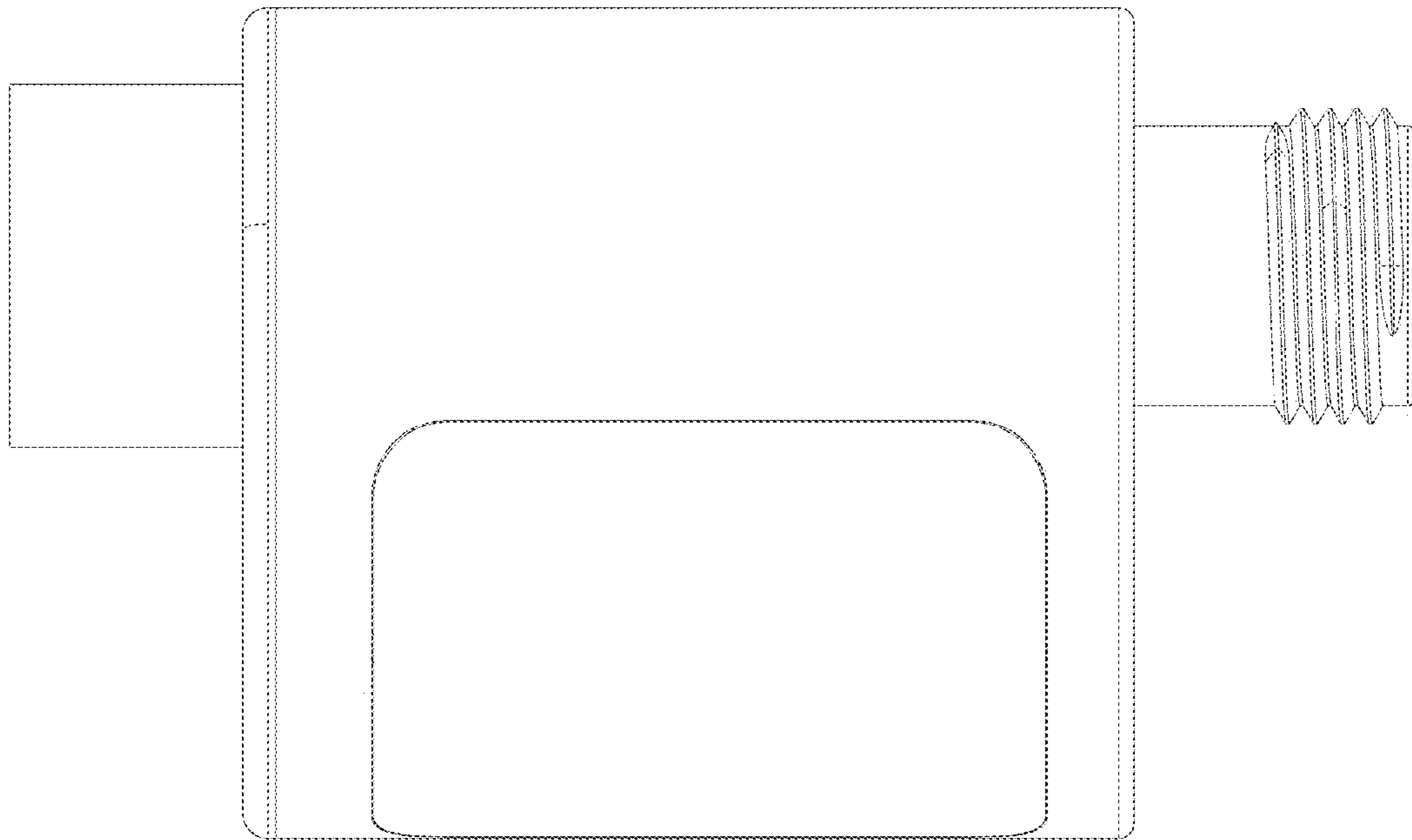


FIG - 5

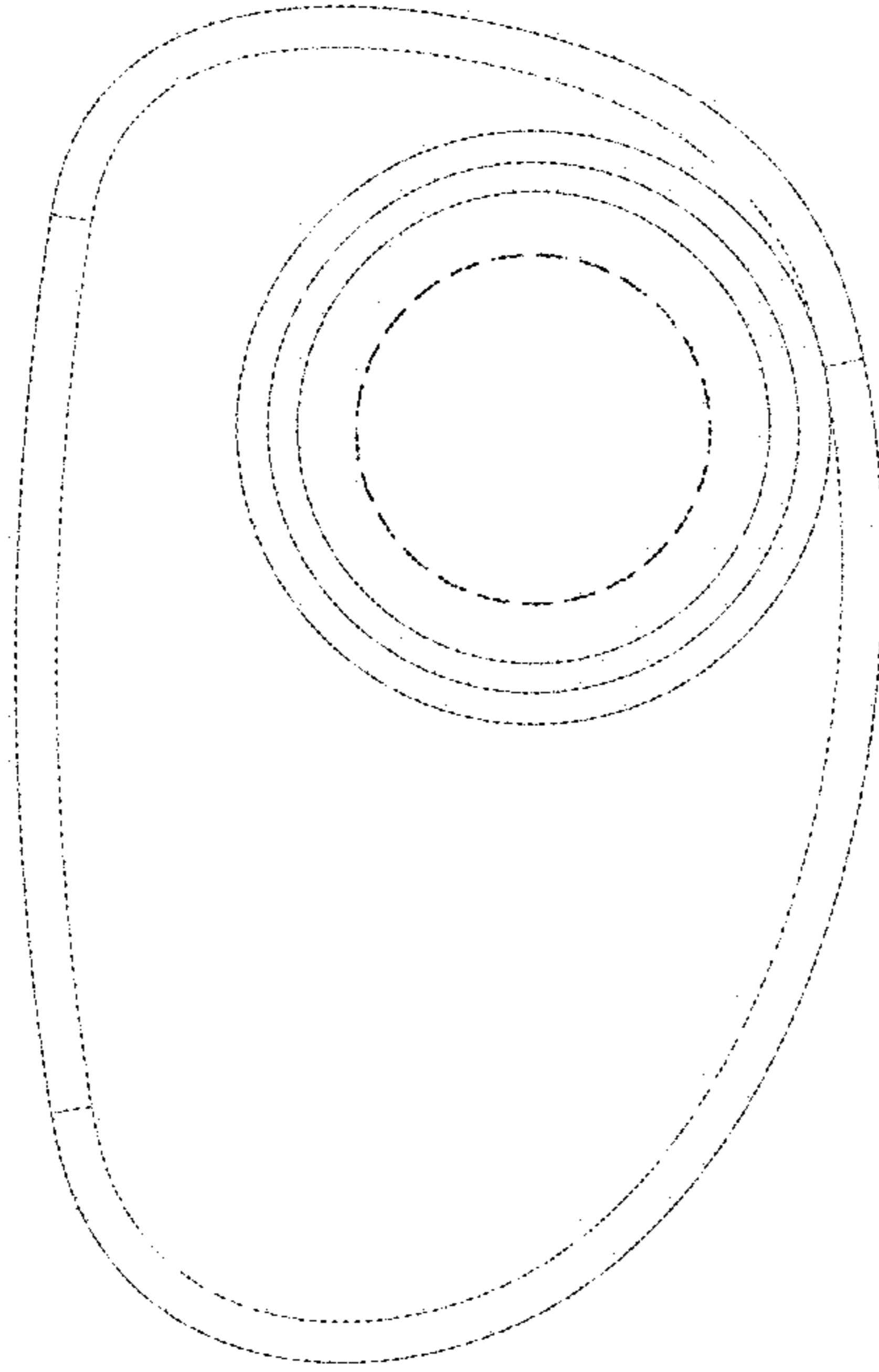


FIG - 8

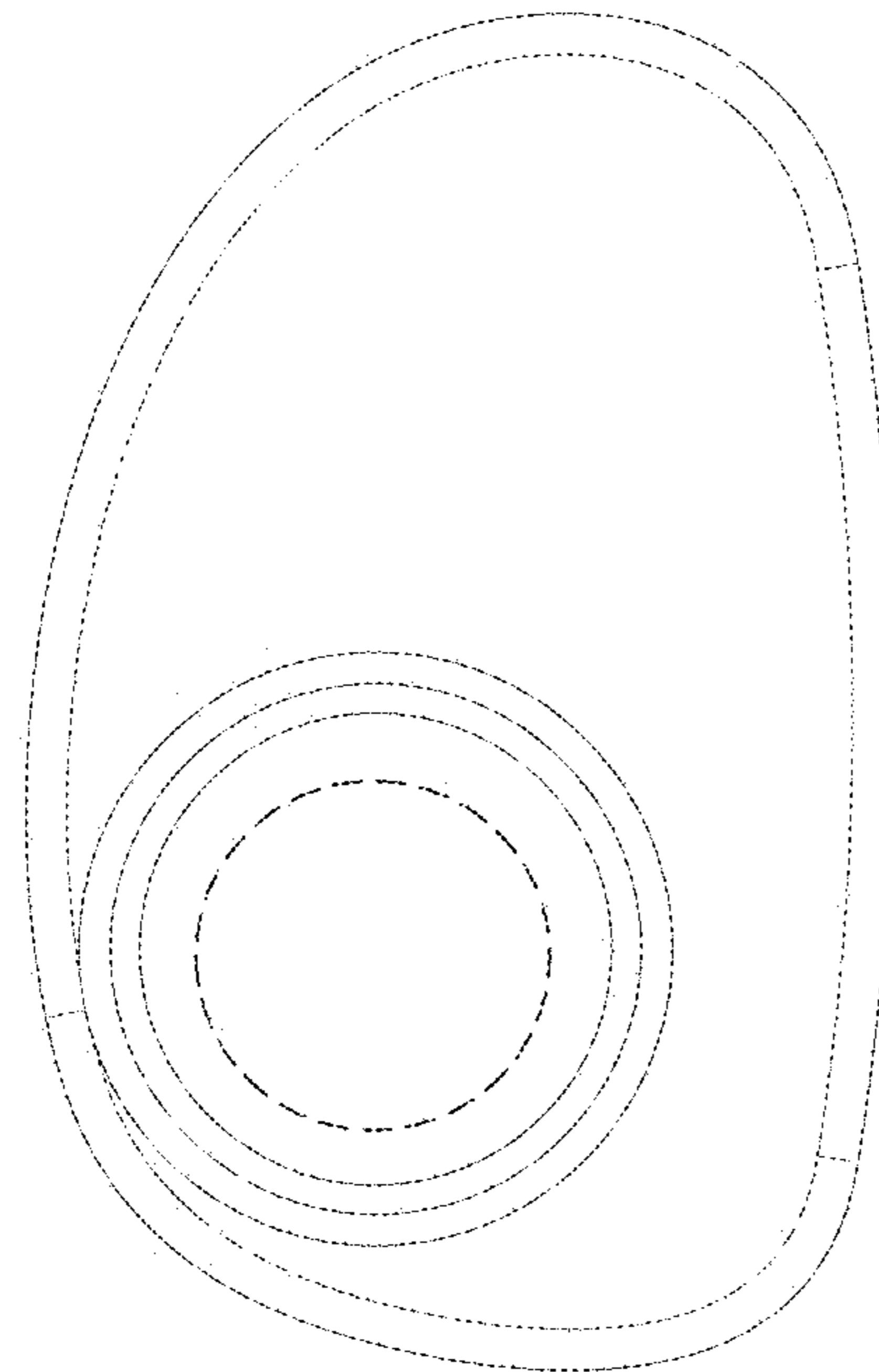


FIG - 7