



US00D960328S

(12) **United States Design Patent** (10) **Patent No.:** **US D960,328 S**  
**Guindi et al.** (45) **Date of Patent:** **\*\* \*Aug. 9, 2022**

(54) **SHOWER DIVERTER**

D621,003 S \* 8/2010 Gramegna ..... D23/233  
D835,754 S \* 12/2018 Caleffi ..... D23/233  
2017/0002553 A1\* 1/2017 Huang ..... E03C 1/0408

(71) Applicants: **Fred Guindi**, North Brunswick, NJ  
(US); **Alexander Tran**, North  
Brunswick, NJ (US)

FOREIGN PATENT DOCUMENTS

CA 2820623 A1 \* 12/2013 ..... E03C 1/0412

(72) Inventors: **Fred Guindi**, North Brunswick, NJ  
(US); **Alexander Tran**, North  
Brunswick, NJ (US)

OTHER PUBLICATIONS

(73) Assignee: **HDS Trading Corp.**, North Brunswick,  
NJ (US)

Amazon, Shower Head Adjustable Wall Bracket, posted Aug. 4,  
2010, [online], [visited Aug. 16, 2019]. Internet, URL: [https://www.amazon.co.uk/Shower-Head-Adjustable-Wall-Bracket/dp/B0056ZRHX2/ref=olp\\_product\\_details?\\_encoding=UTF8&me=](https://www.amazon.co.uk/Shower-Head-Adjustable-Wall-Bracket/dp/B0056ZRHX2/ref=olp_product_details?_encoding=UTF8&me=) (Year:  
2010).\*

(\* ) Notice: This patent is subject to a terminal dis-  
claimer.

Amazon, Gaddrt Adjustable Shower Head Holder, posted Jul. 31,  
2017, [online], [visited Aug. 16, 2019]. Internet, URL: [https://www.amazon.co.uk/Gaddrt-Adjustable-Shower-Suction-Bracket/dp/B074DTMJBH/ref=olp\\_product\\_details?\\_encoding=UTF8&me=](https://www.amazon.co.uk/Gaddrt-Adjustable-Shower-Suction-Bracket/dp/B074DTMJBH/ref=olp_product_details?_encoding=UTF8&me=) (Year:  
2017).\*

(\*\*) Term: **15 Years**

\* cited by examiner

(21) Appl. No.: **29/641,636**

(22) Filed: **Mar. 23, 2018**

(51) **LOC (13) Cl.** ..... **23-01**

(52) **U.S. Cl.**  
USPC ..... **D23/257**

(58) **Field of Classification Search**  
USPC ..... D23/257, 249, 254, 259, 255, 233, 234,  
D23/235, 236, 237, 238, 239, 240, 241,  
D23/242, 243, 244, 245, 246, 247, 248,  
D23/250, 251, 252, 253, 256; D7/398;  
D22/137, 140, 141  
CPC ..... E03C 1/01; E03C 1/0409; E03C 1/025;  
E03C 1/0408; E03C 2201/30  
See application file for complete search history.

*Primary Examiner* — Sheryl Lane

*Assistant Examiner* — Samantha N Wood

(74) *Attorney, Agent, or Firm* — Ezra Sutton

(57) **CLAIM**

The ornamental design for a shower diverter, as shown and  
described.

**DESCRIPTION**

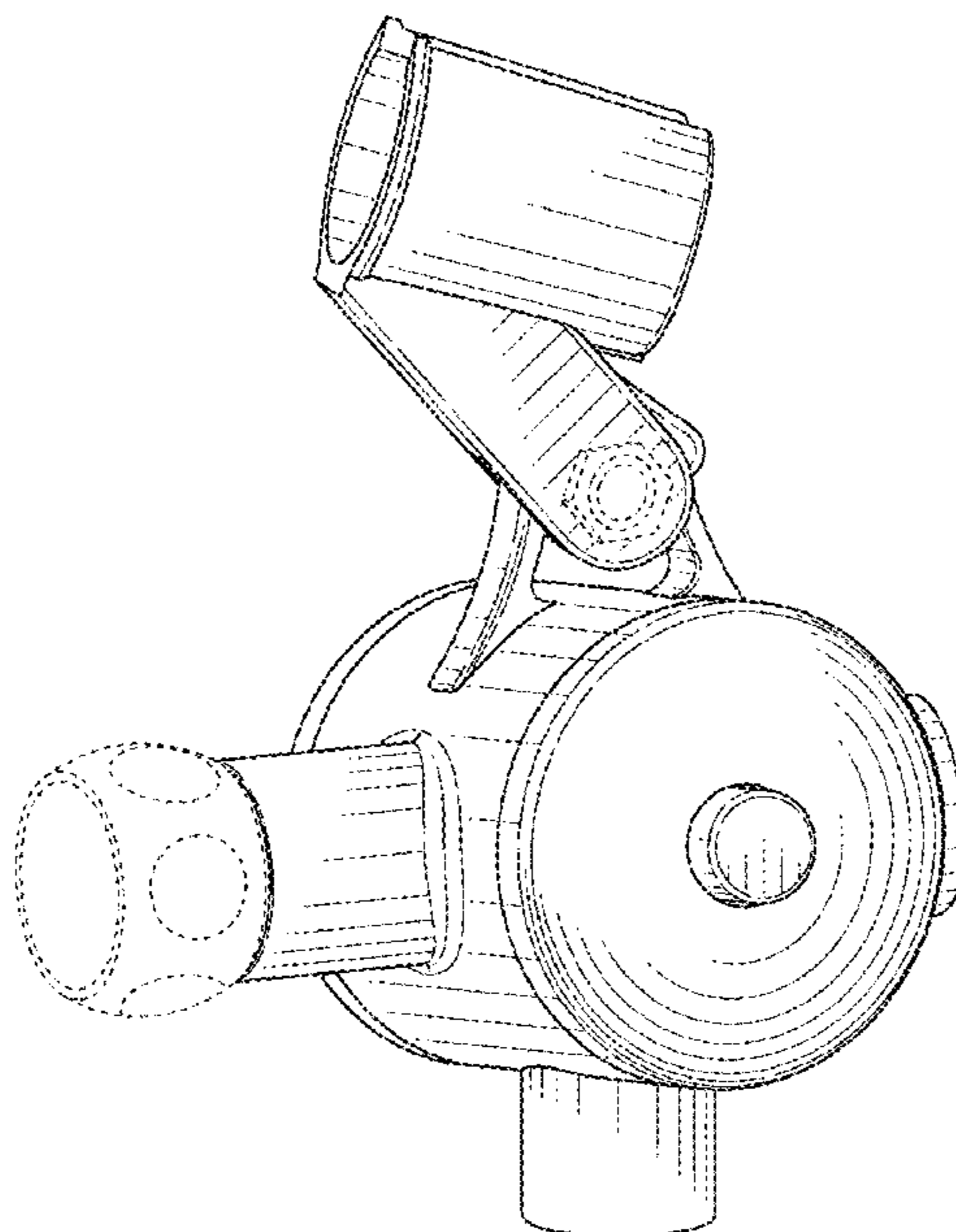
FIG. 1 is a front perspective view of a shower diverter  
embodying my new design;  
FIG. 2 is a front view thereof;  
FIG. 3 is a rear view thereof;  
FIG. 4 is a left side view thereof; and  
FIG. 5 is a right side view thereof;  
FIG. 6 is a top view thereof; and,  
FIG. 7 is a bottom view thereof.

(56) **References Cited**

U.S. PATENT DOCUMENTS

D53,615 S \* 7/1919 Scribner ..... D7/398  
D296,462 S \* 6/1988 Hartman ..... D23/200

**1 Claim, 4 Drawing Sheets**



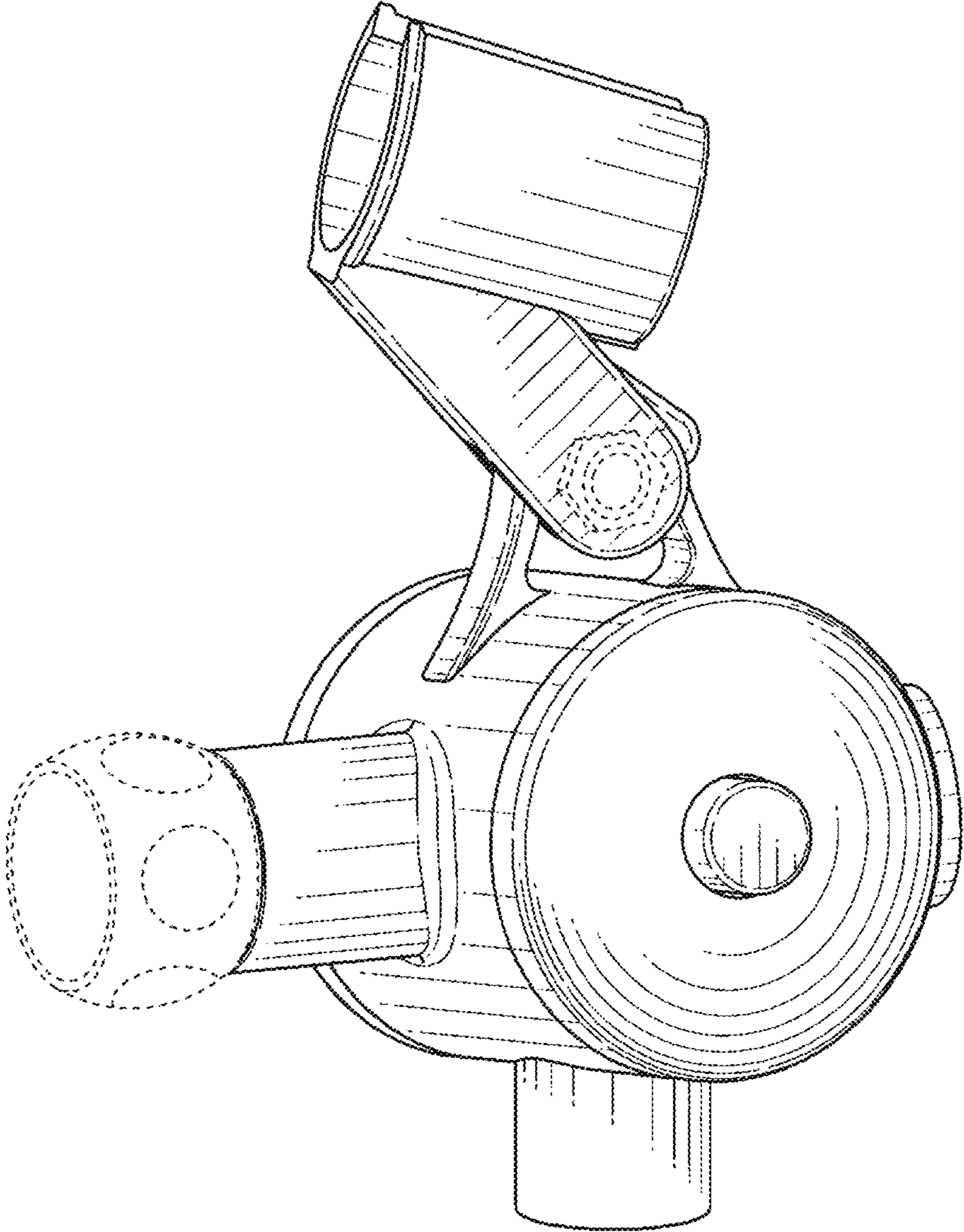


FIG. 1

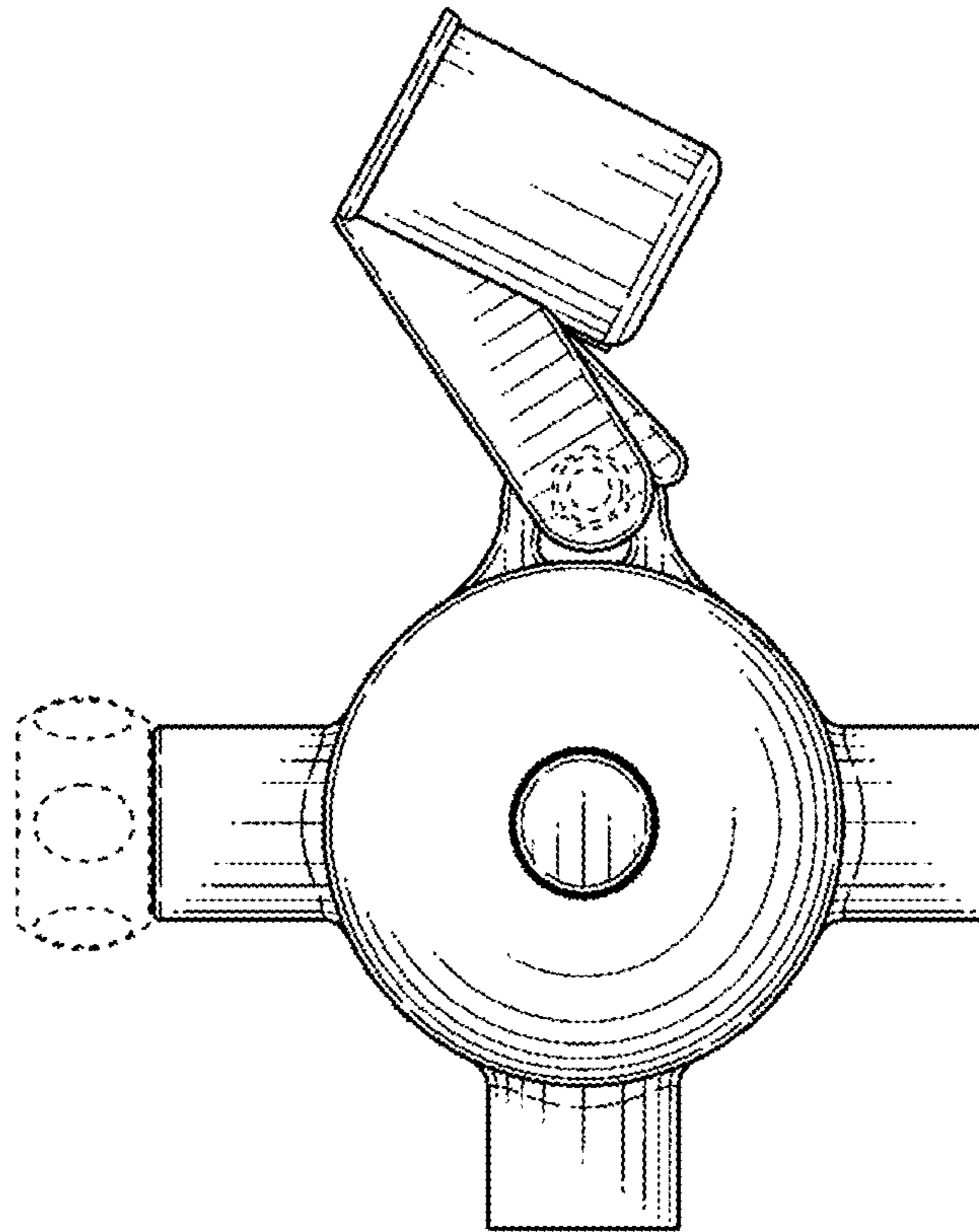


FIG. 2

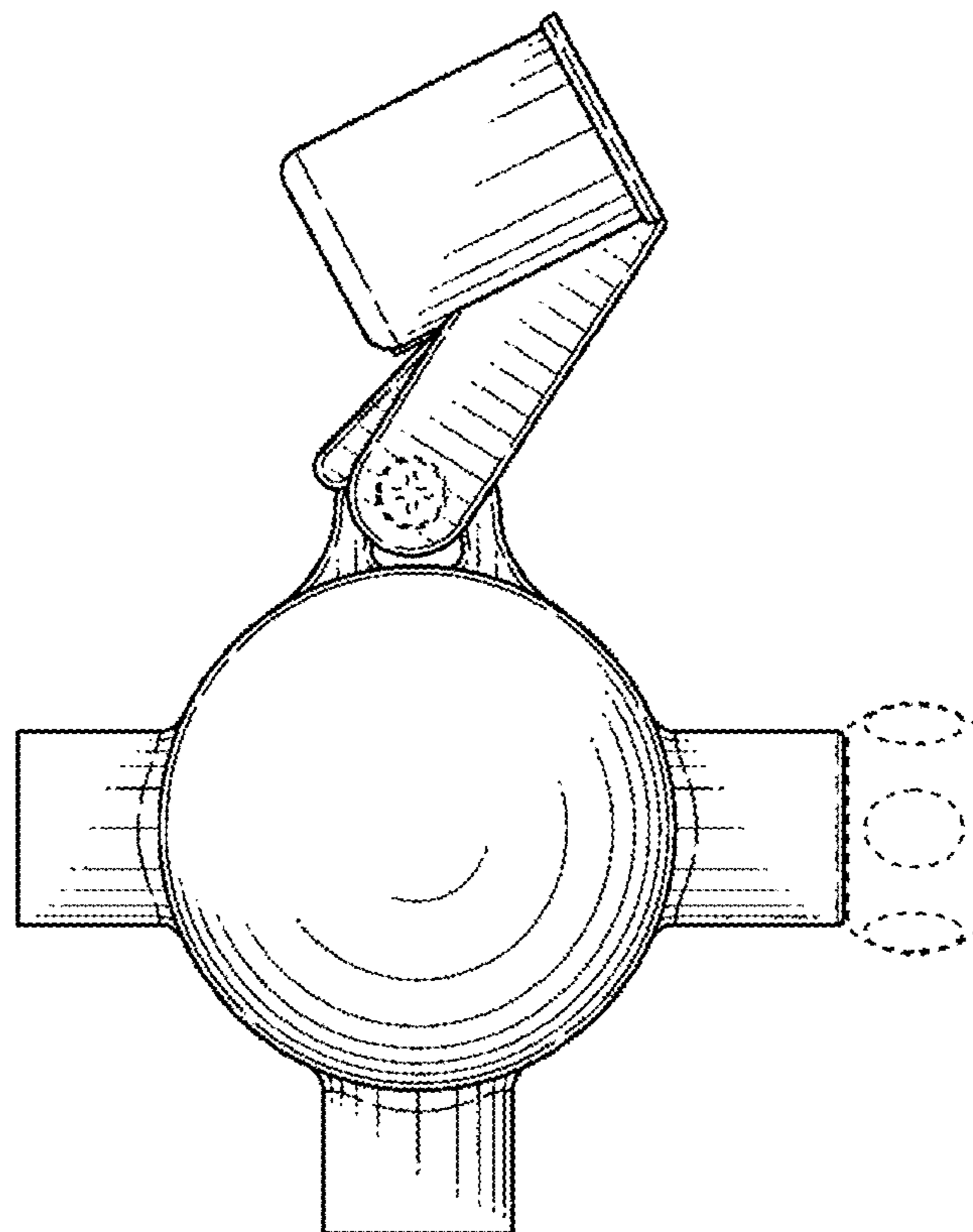


FIG. 3

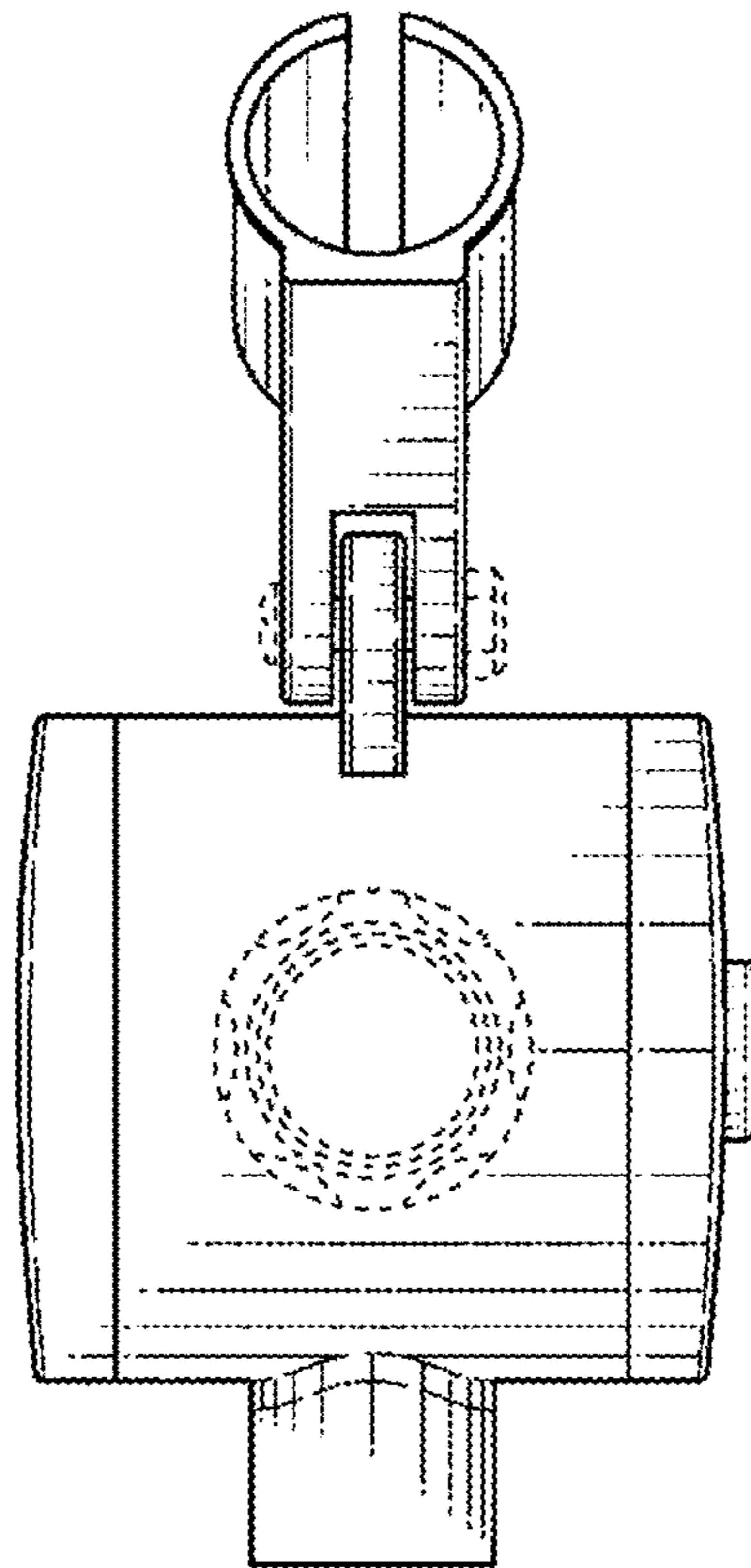


FIG. 4

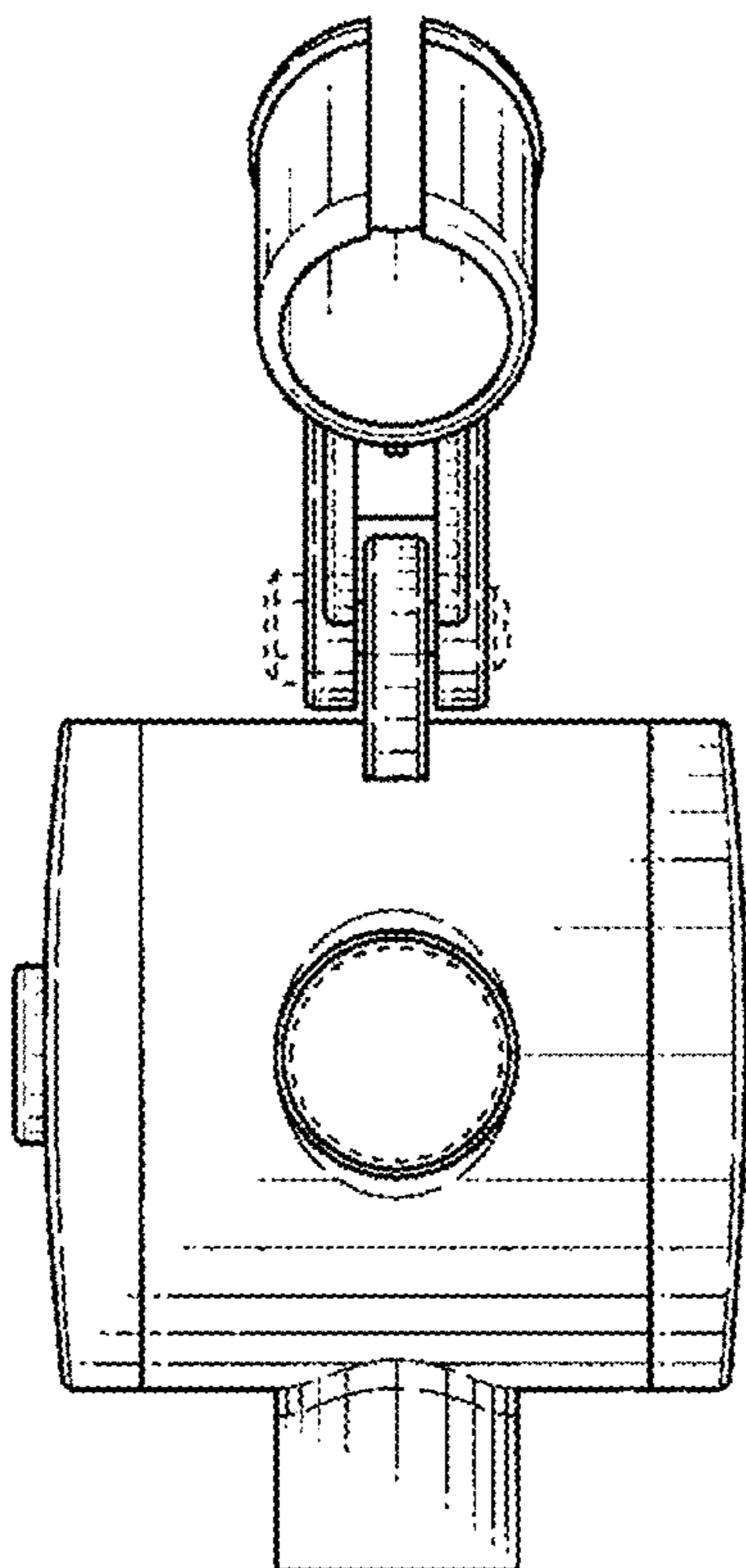


FIG. 5

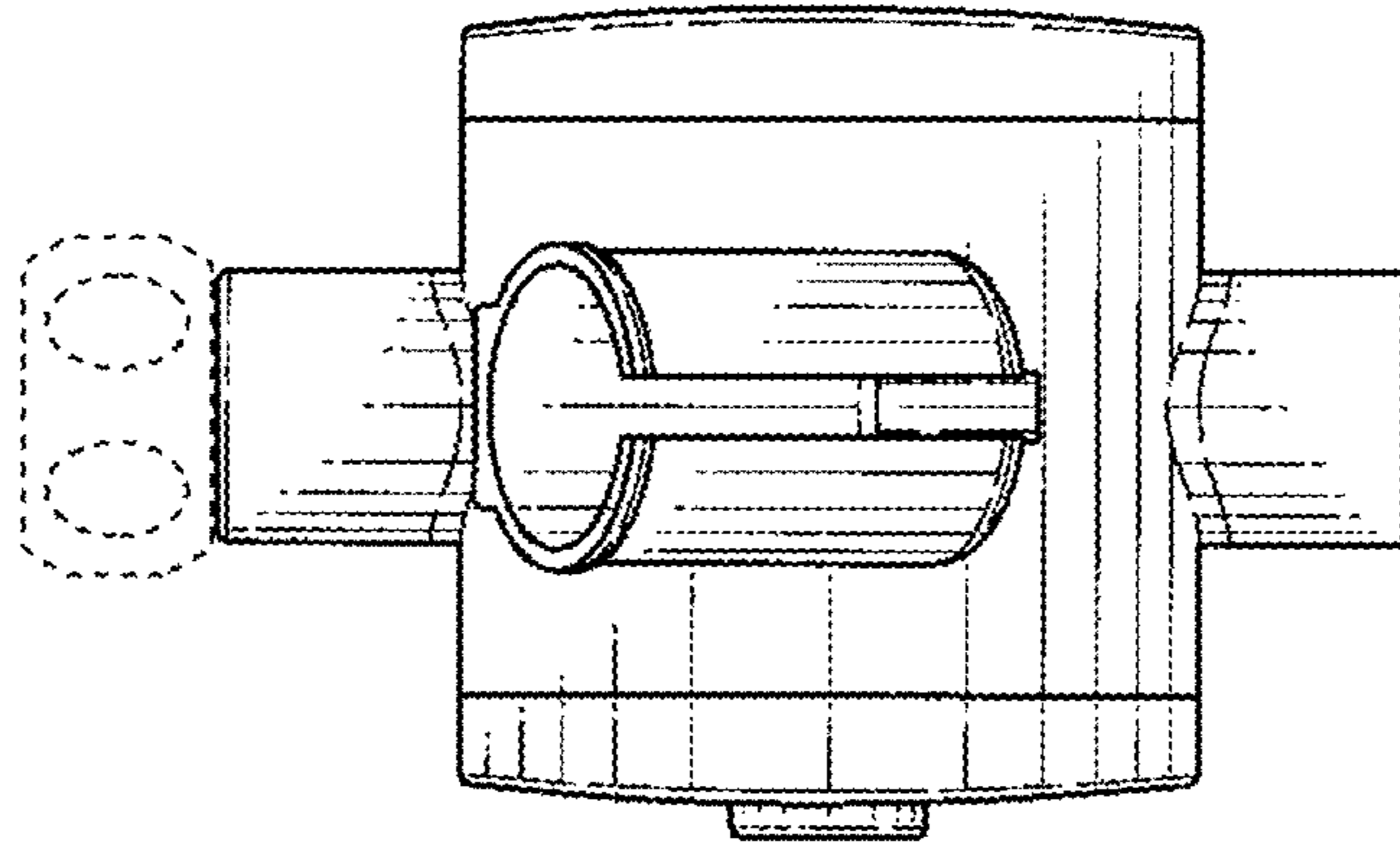


FIG. 6

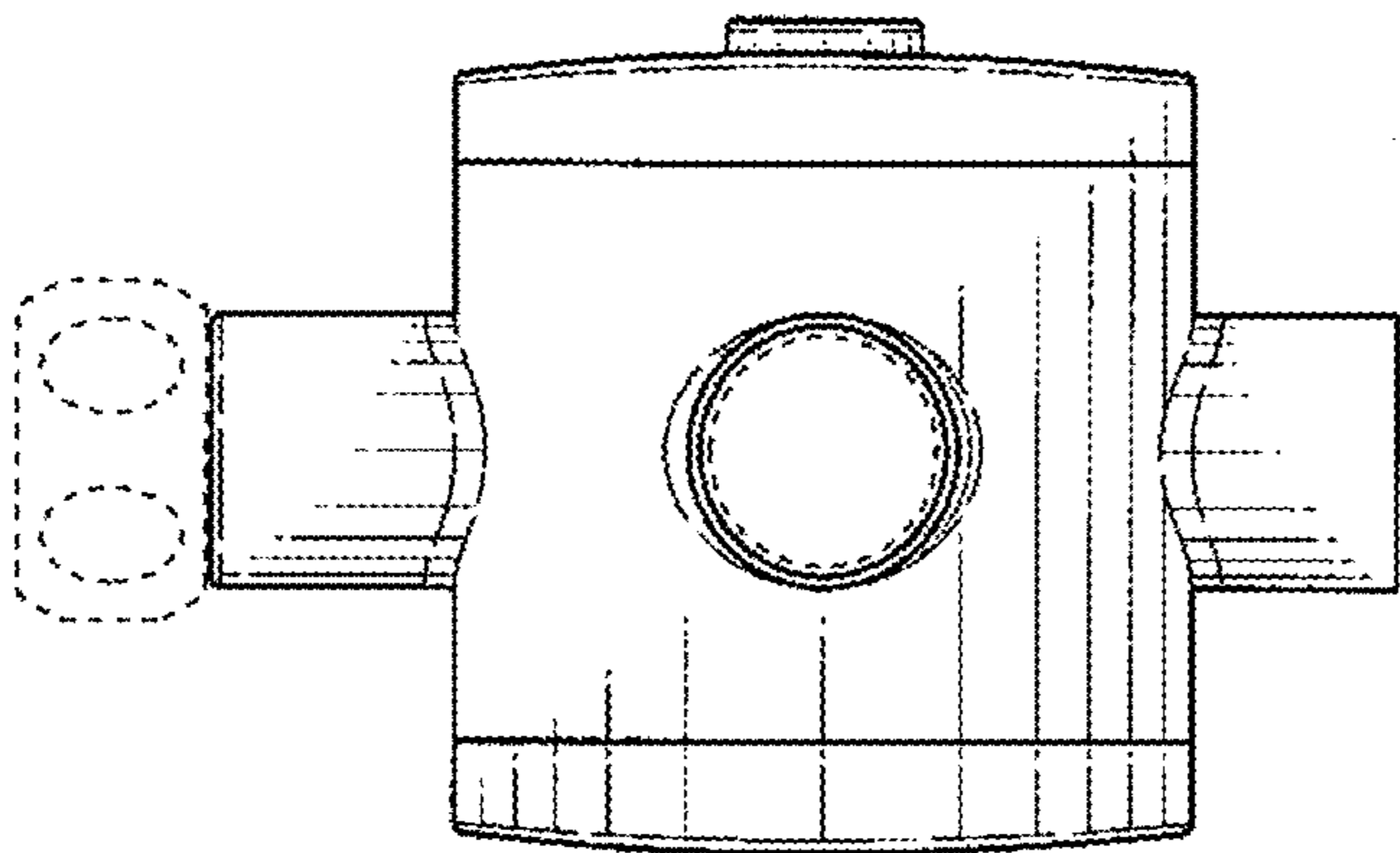


FIG. 7