



US00D960326S

(12) **United States Design Patent**
Zhang et al.

(10) **Patent No.:** **US D960,326 S**
(45) **Date of Patent:** **** Aug. 9, 2022**

(54) **FAUCET**

(71) Applicant: **AS America, Inc.**, Piscataway, NJ (US)

(72) Inventors: **Jian Zhang**, Guangzhou (CN); **Fen Liu**, Guangzhou (CN); **Emilie Williams**, New York, NY (US)

(73) Assignee: **AS America, Inc.**, Piscataway, NJ (US)

(**) Term: **15 Years**

(21) Appl. No.: **29/762,671**

(22) Filed: **Dec. 17, 2020**

(30) **Foreign Application Priority Data**

Jun. 28, 2020 (CN) 202030335936.6

(51) **LOC (13) Cl.** **23-01**

(52) **U.S. Cl.**
USPC **D23/242**

(58) **Field of Classification Search**
USPC D23/238, 239, 240, 241, 242, 243, 246,
D23/247, 249, 250, 251, 252, 254, 255,
D23/256, 257

CPC E03C 1/00; E03C 1/01; E03C 1/02; E03C
1/023; E03C 1/04; E03C 1/0401; E03C
1/0403; E03C 1/0404; E03C 1/0412;
E03C 1/05; E03C 1/042; F16K 31/60

See application file for complete search history.

(56) **References Cited**

U.S. PATENT DOCUMENTS

D280,543 S * 9/1985 Paul D23/242
D382,045 S * 8/1997 Hundley D23/252
D390,921 S * 2/1998 Steffes D23/250
D462,421 S * 9/2002 Hundley D23/254
D484,573 S * 12/2003 Haug D23/252
D487,924 S * 3/2004 Lin D23/255
D488,540 S * 4/2004 Ouyoung D23/255
D510,130 S * 9/2005 Ouyoung D23/257

D516,675 S * 3/2006 Kakihana D23/247
D521,121 S * 5/2006 Fritz D23/255
D532,085 S * 11/2006 Svendsen D23/242
D538,400 S * 3/2007 Miyamoto D23/242

(Continued)

FOREIGN PATENT DOCUMENTS

CA 2726306 A1 * 12/2009 E03C 1/04
CA 2846254 A1 * 2/2013 E03C 1/0401
EM 004203016-0006 * 9/2017

OTHER PUBLICATIONS

Youtube, Installing a 8"-15" Widespread Bathroom Faucet with a push & seal drain, posted Dec. 15, 2011, [online], [visited Mar. 26, 2022]. Internet, <URL: <https://www.youtube.com/watch?v=CP6l5nqvNsU>> (Year: 2011).*

(Continued)

Primary Examiner — Samantha Wood

(74) *Attorney, Agent, or Firm* — Tyler A. Stevenson;
Anna-lisa L. Gallo

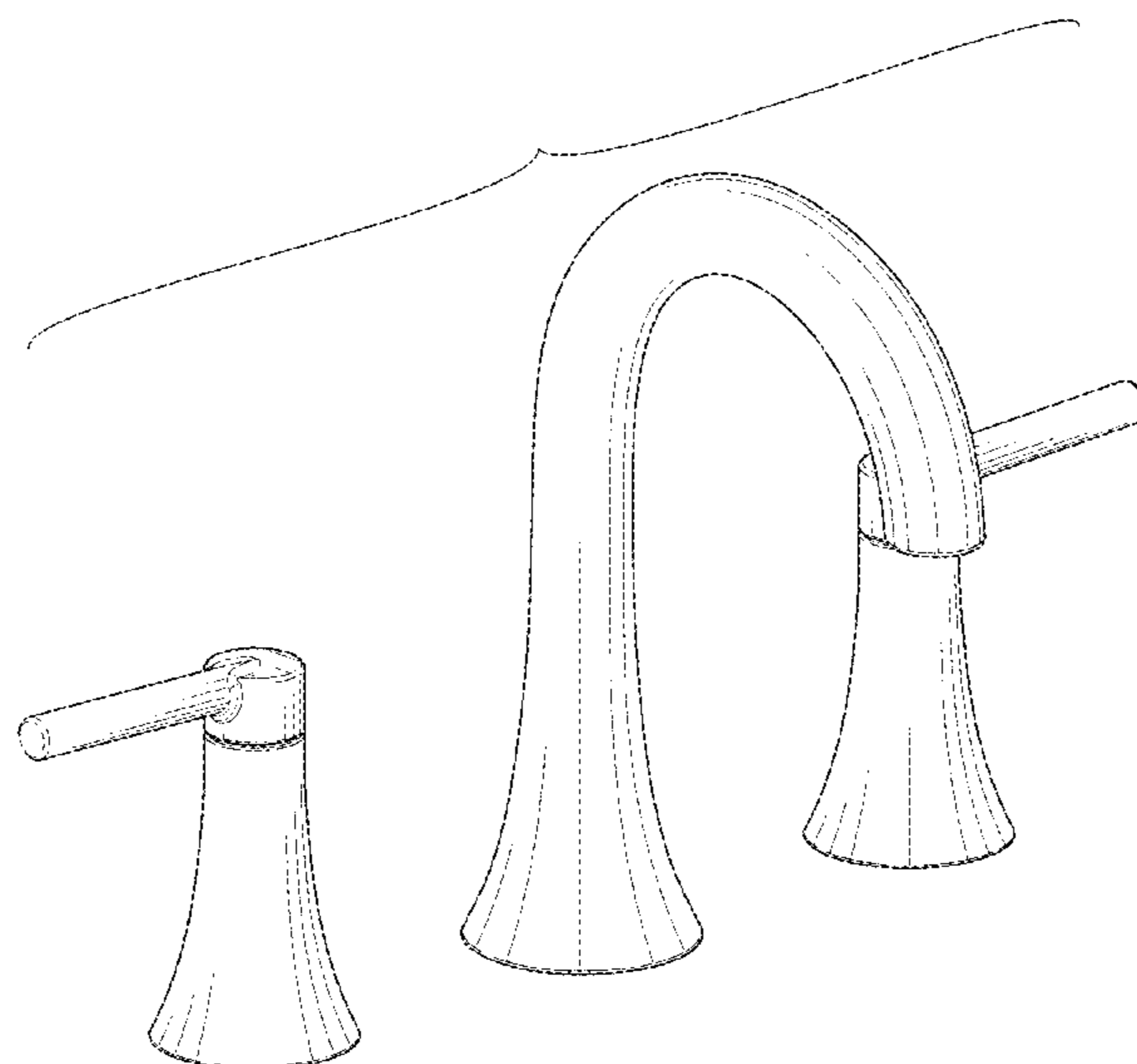
(57) **CLAIM**

We claim the ornamental design for a faucet, as shown and described.

DESCRIPTION

FIG. 1 is a front, top, left side perspective view of a faucet showing our new design;
FIG. 2 is a front view thereof;
FIG. 3 is a rear view thereof;
FIG. 4 is a left side view thereof;
FIG. 5 is a right side view thereof;
FIG. 6 is a top view thereof;
FIG. 7 is a bottom view thereof; and,
FIG. 8 is a front, bottom, left side perspective view thereof. Broken lines of the disclosure represent portions of the faucet that form no part of the claimed design.

1 Claim, 8 Drawing Sheets



(56)

References Cited

U.S. PATENT DOCUMENTS

D564,073 S * 3/2008 Shieh D23/238
 D567,911 S * 4/2008 Fritz D23/255
 D579,086 S * 10/2008 Schonherr D23/252
 D606,169 S * 12/2009 Lammel D23/242
 D607,976 S * 1/2010 Lammel D23/255
 D624,991 S * 10/2010 Kulig D23/242
 D655,787 S * 3/2012 Obara D23/242
 D667,935 S * 9/2012 Liao D23/242
 D674,051 S * 1/2013 Uhl D23/242
 D680,199 S * 4/2013 Kwok D23/257
 D690,397 S * 9/2013 Flowers D23/255
 D715,900 S * 10/2014 Flowers D23/242
 D762,821 S * 8/2016 Ingels D23/242
 D776,792 S * 1/2017 Neumayr D23/242
 D801,483 S * 10/2017 Neumayr D23/242
 D823,991 S * 7/2018 Schaubach D23/242
 D836,183 S * 12/2018 Slothower D23/242
 D859,592 S * 9/2019 Seum D23/242
 D870,851 S * 12/2019 Tentler D23/238
 D883,443 S * 5/2020 Kuang D23/242
 D913,425 S * 3/2021 Eads D23/238
 D919,054 S * 5/2021 Stoler D23/242

D919,767 S * 5/2021 Stoler D23/255
 D924,366 S * 7/2021 Lazarini D23/238
 D924,370 S * 7/2021 Weber D23/242
 D929,546 S * 8/2021 Weber D23/257
 D933,783 S * 10/2021 Miller D23/242
 D934,997 S * 11/2021 He D23/242
 D940,831 S * 1/2022 Elser D23/242
 D946,123 S * 3/2022 Park D23/242
 2009/0145492 A1* 6/2009 Thomas E03C 1/04
 137/355.23

OTHER PUBLICATIONS

Signature Hardware, Provincetown Widespread Bathroom faucet, no post date, [online], [visited Mar. 26, 2022]. Internet, <URL: <https://www.signaturehardware.com/provincetown-widespread-bathroom-faucet.html>> (Year: 2022).*

Amazon, American Standard Widespread Bathroom Faucet with Speed Connect Drain, posted May 9, 2013, [online], [visited Mar. 26, 2022]. Internet, <URL: <https://www.amazon.com/American-Standard-7186811-002-Widespread-Indicator/dp/B01E5BVQMU/ref?th=1>>(Year: 2013).*

* cited by examiner

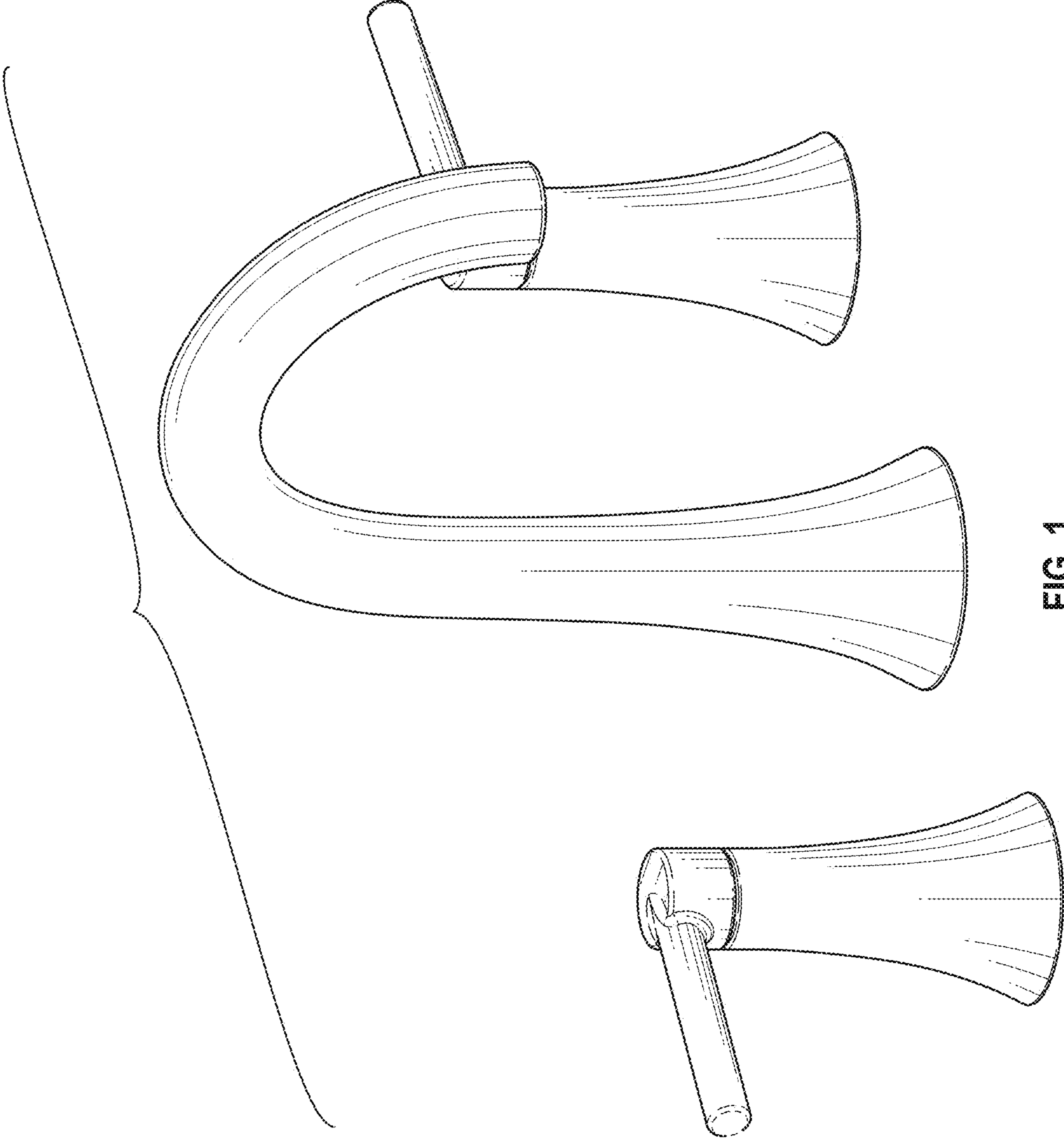


FIG. 1

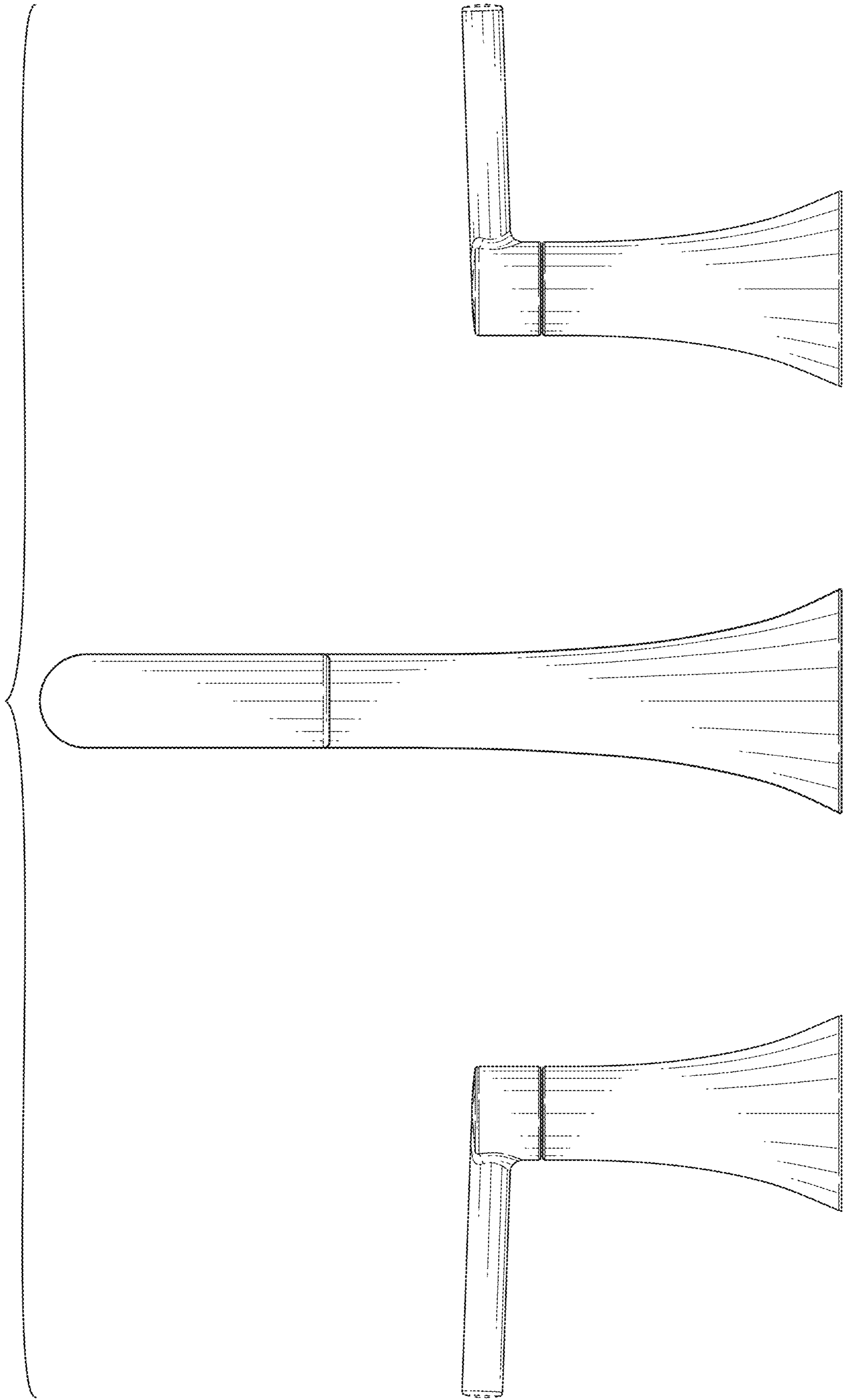


FIG. 2

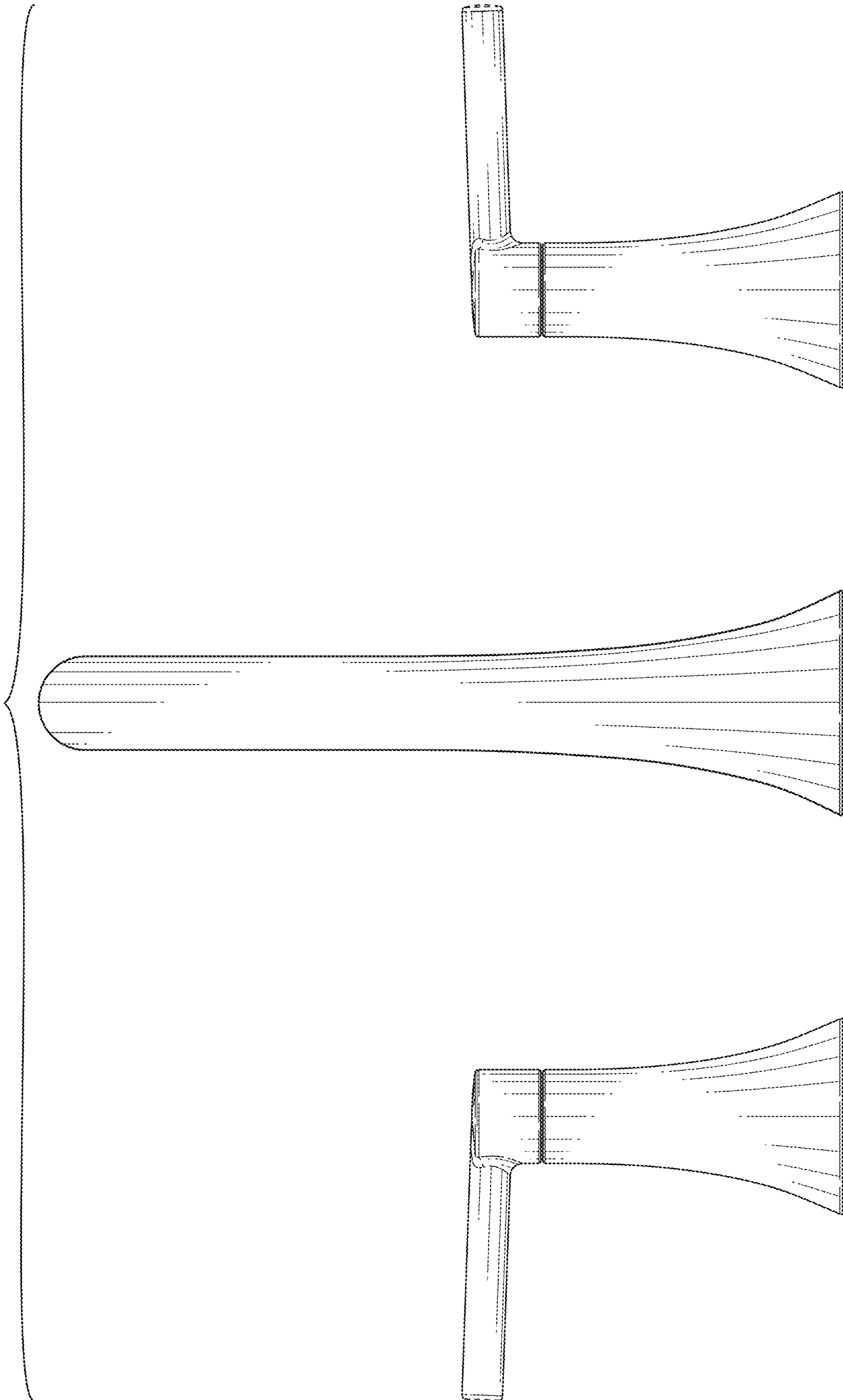


FIG. 3

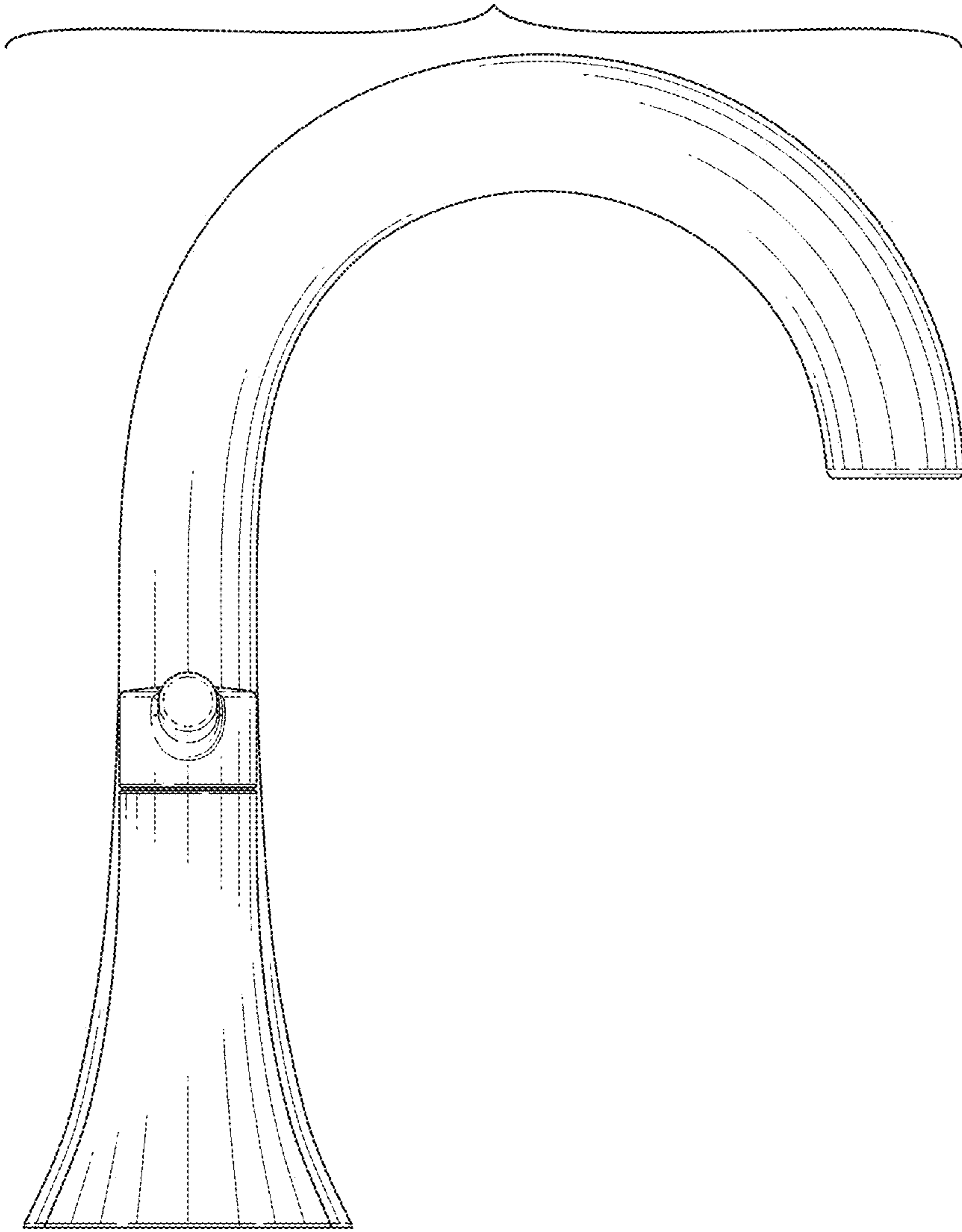


FIG. 4

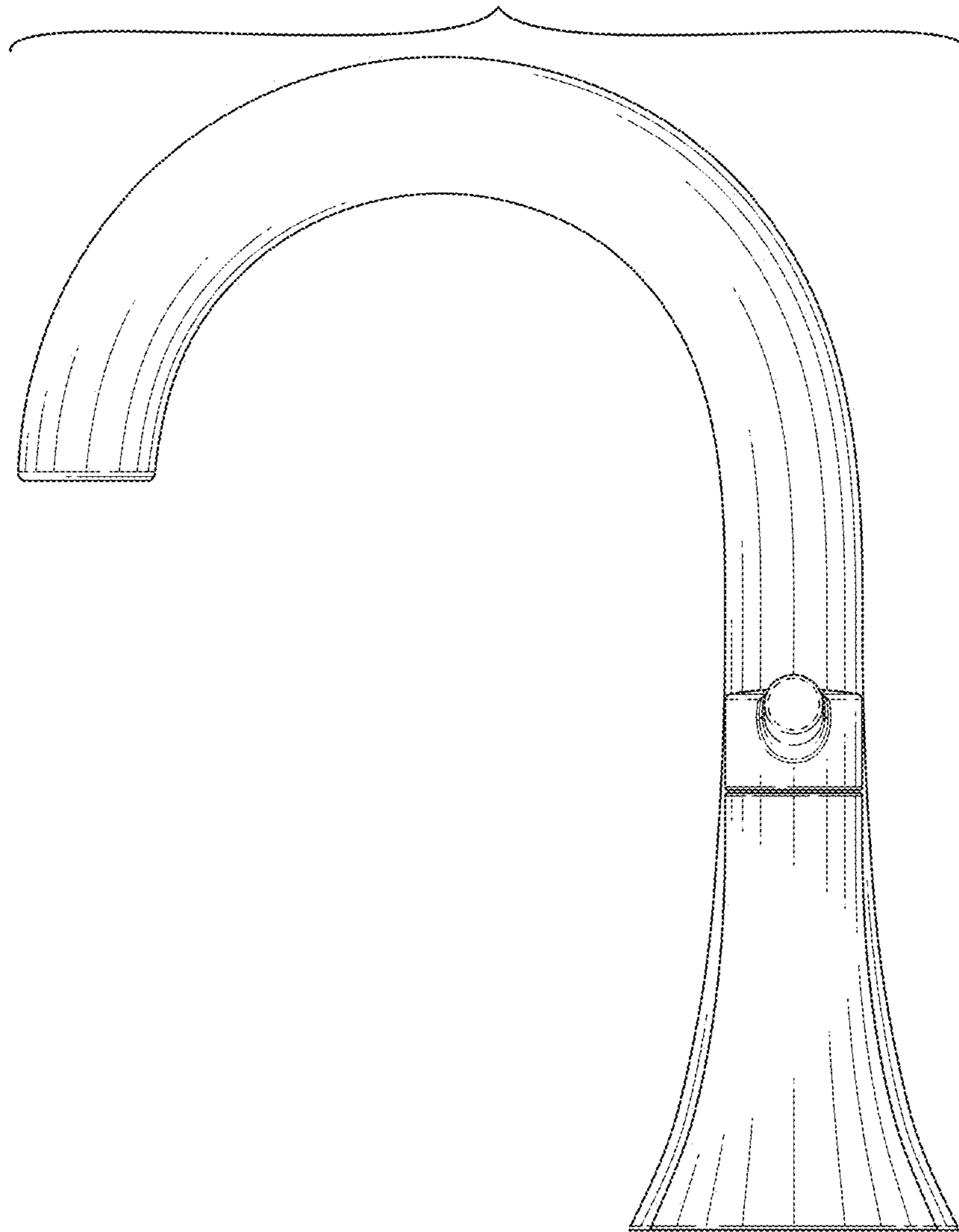


FIG. 5

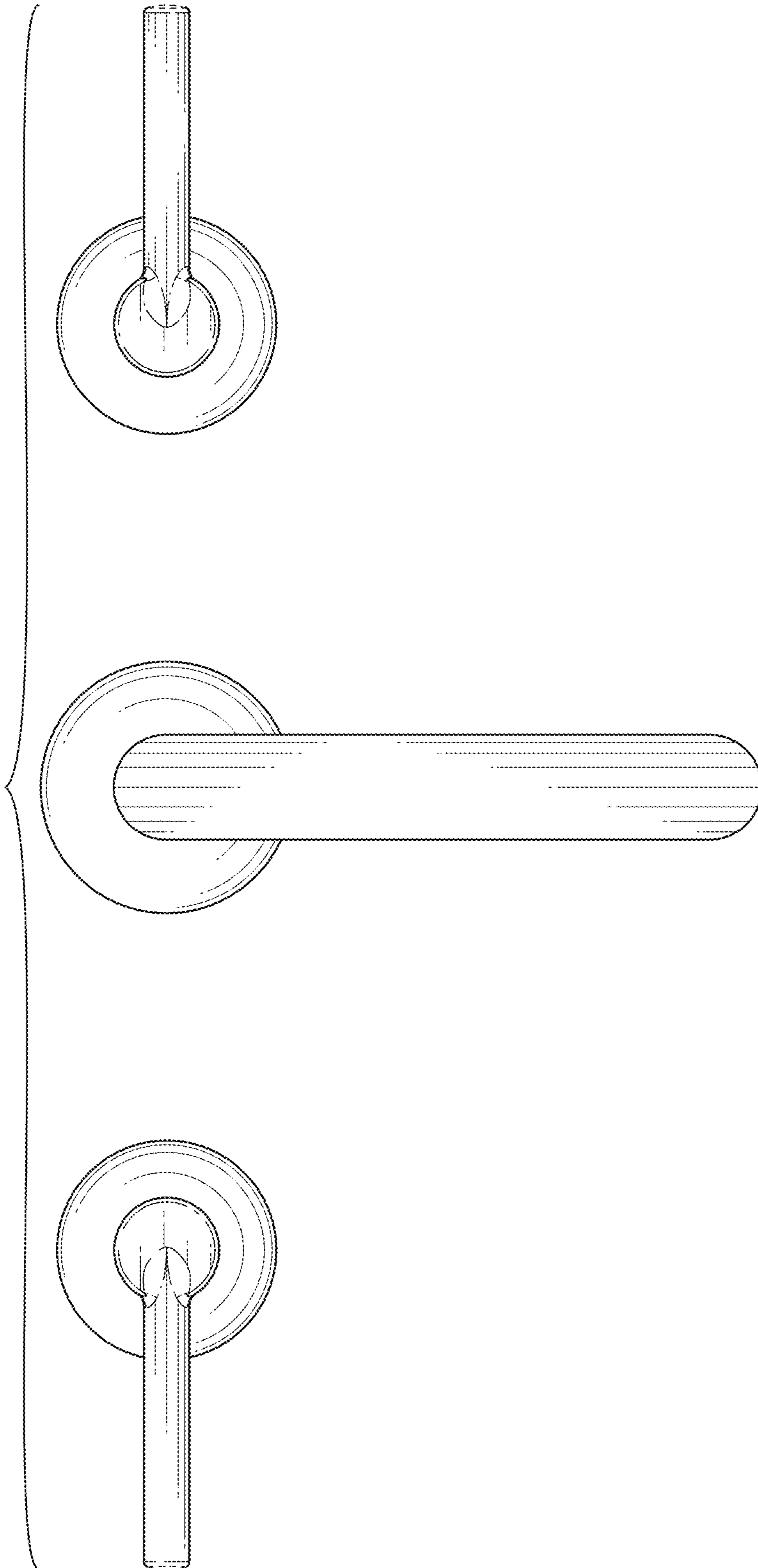


FIG. 6

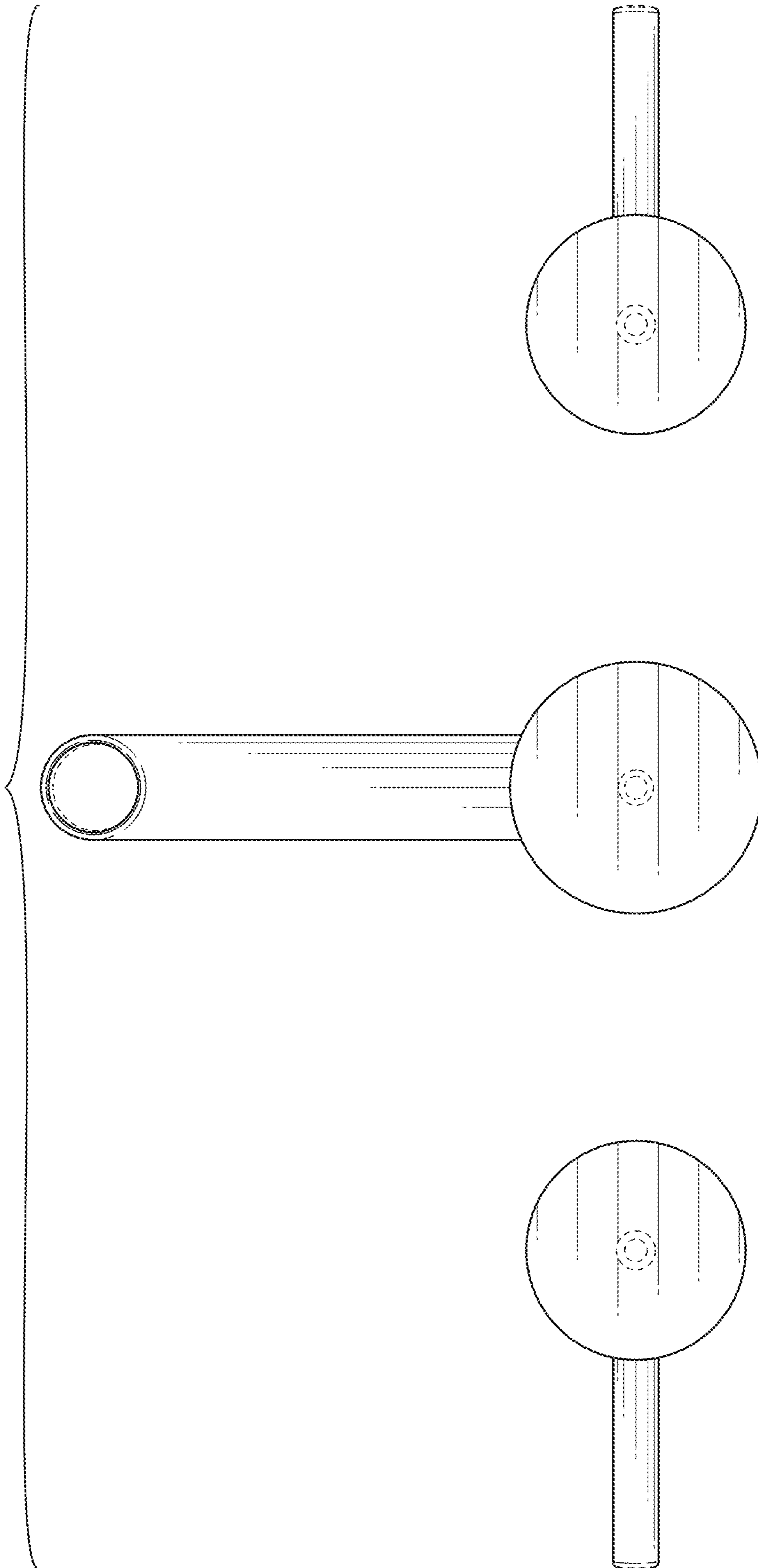


FIG. 7

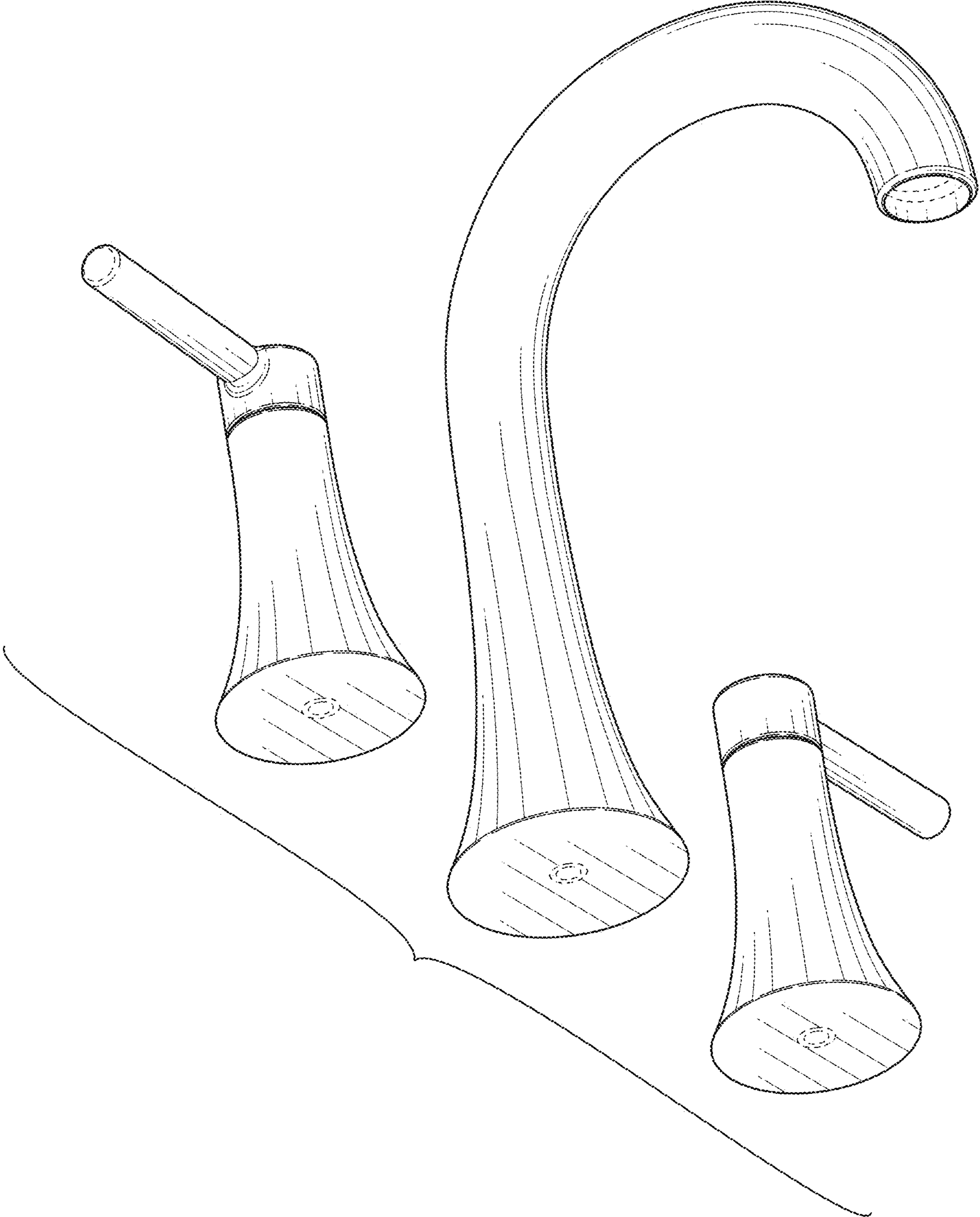


FIG. 8