



US00D960325S

(12) **United States Design Patent**
Witt et al.

(10) **Patent No.:** **US D960,325 S**

(45) **Date of Patent:** **** Aug. 9, 2022**

(54) **FAUCET**

(71) Applicant: **HANSGROHE SE**, Schiltach (DE)

(72) Inventors: **Alvaro Witt**, Stuttgart (DE); **Andreas Diefenbach**, Ludwigsburg-Ossweil (DE)

(73) Assignee: **Hansgrohe SE**, Schiltach (DE)

(**) Term: **15 Years**

(21) Appl. No.: **29/757,419**

(22) Filed: **Nov. 5, 2020**

(30) **Foreign Application Priority Data**

May 11, 2020 (EM) 007880810-0006

(51) **LOC (13) Cl.** **23-01**

(52) **U.S. Cl.**
USPC **D23/242**

(58) **Field of Classification Search**
USPC D23/238-243, 249-250, 252, 254-255,
D23/257; D8/307-308

See application file for complete search history.

(56) **References Cited**

U.S. PATENT DOCUMENTS

D463,535 S 9/2002 Singtoroj
D607,978 S * 1/2010 Williams D23/255

D755,933 S * 5/2016 Lord D23/255
D773,615 S * 12/2016 Potter D23/242
D834,148 S 11/2018 Thomas
D905,825 S * 12/2020 Potter D23/242

FOREIGN PATENT DOCUMENTS

CN 305298015 S 8/2019
WO D091352-047 7/2016

* cited by examiner

Primary Examiner — Robert A Delehanty

(74) *Attorney, Agent, or Firm* — Lora J. Graentzdoerffer

(57) **CLAIM**

The ornamental design for a faucet, as shown and described.

DESCRIPTION

FIG. 1 is a perspective view of a faucet showing our design;
FIG. 2 is a front elevational view;
FIG. 3 is a rear elevational view;
FIG. 4 is a side elevational view;
FIG. 5 is a side elevational view;
FIG. 6 is a top plan view; and,
FIG. 7 is a bottom plan view.

The broken line disclosures in the view represents portions of the faucet in which the claimed design is embodied, but which forms no part of the claimed design.

1 Claim, 7 Drawing Sheets

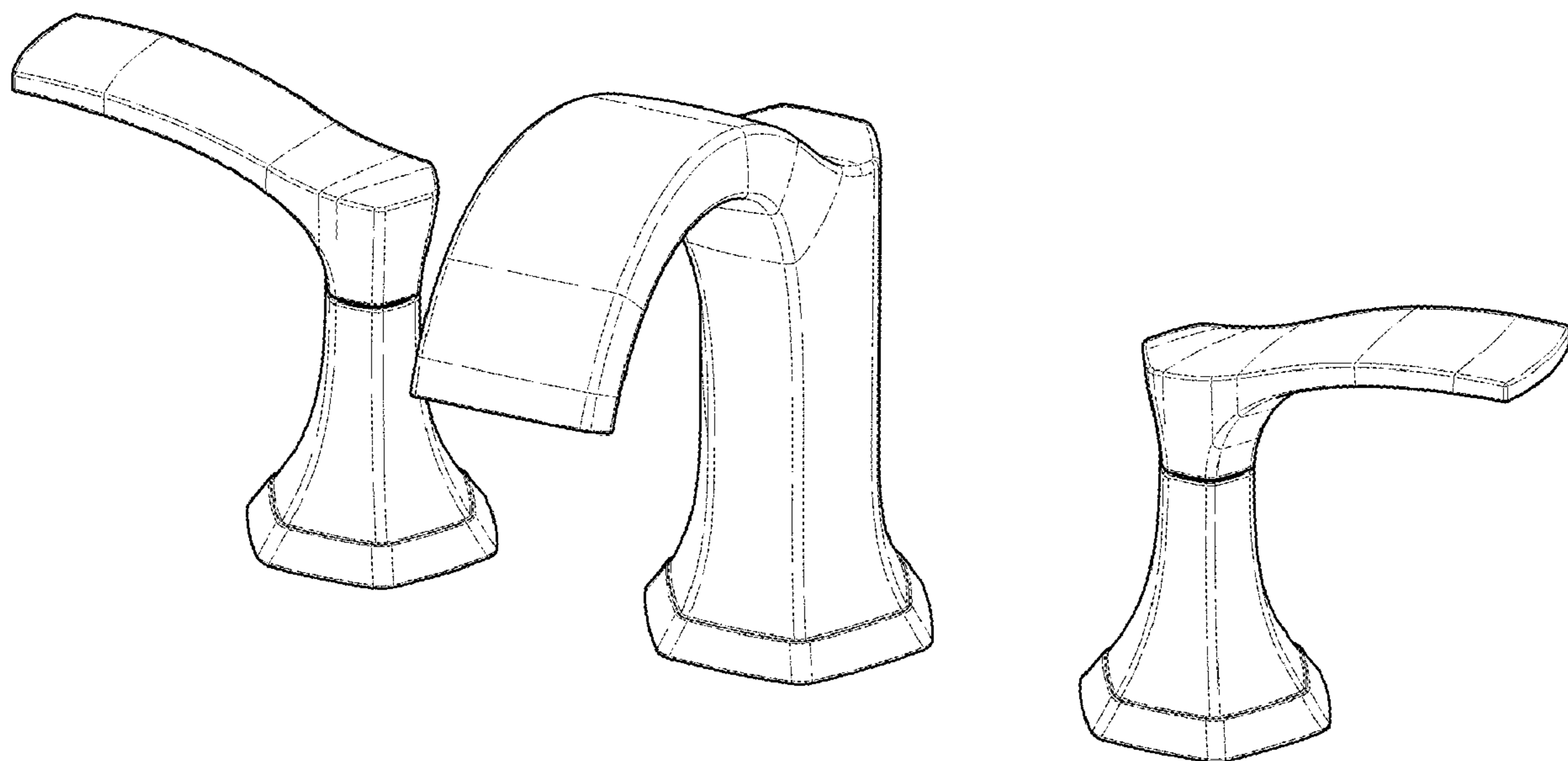


FIG. 1

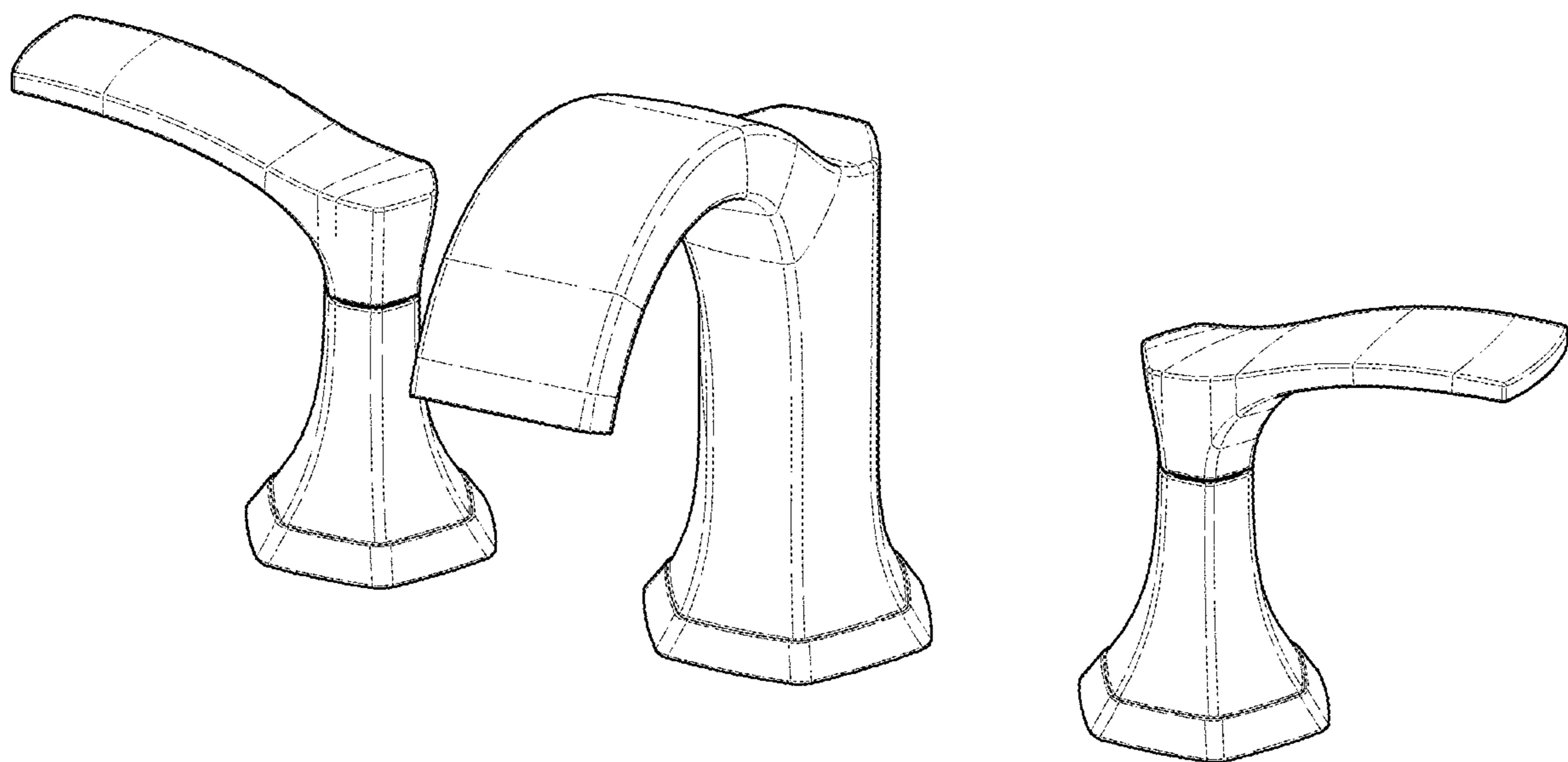


FIG. 2

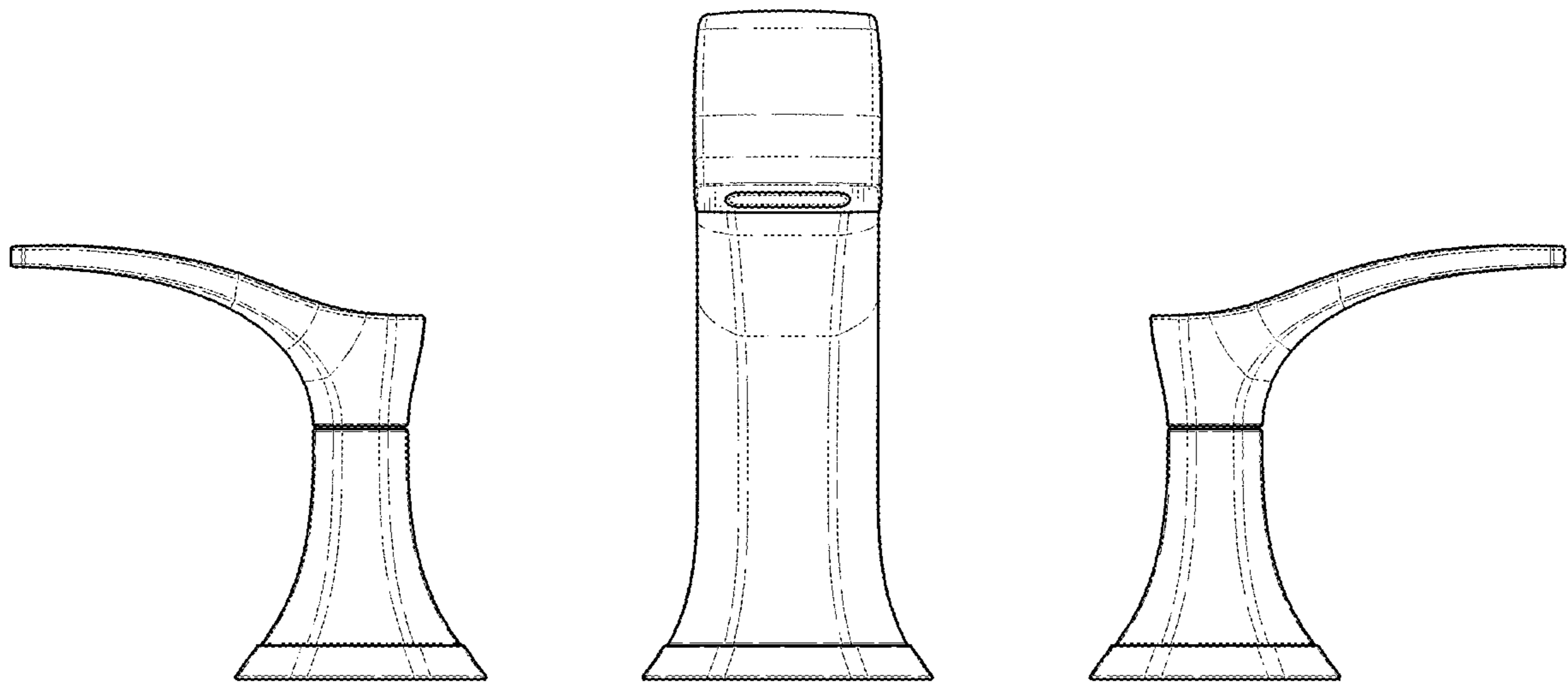


FIG. 3

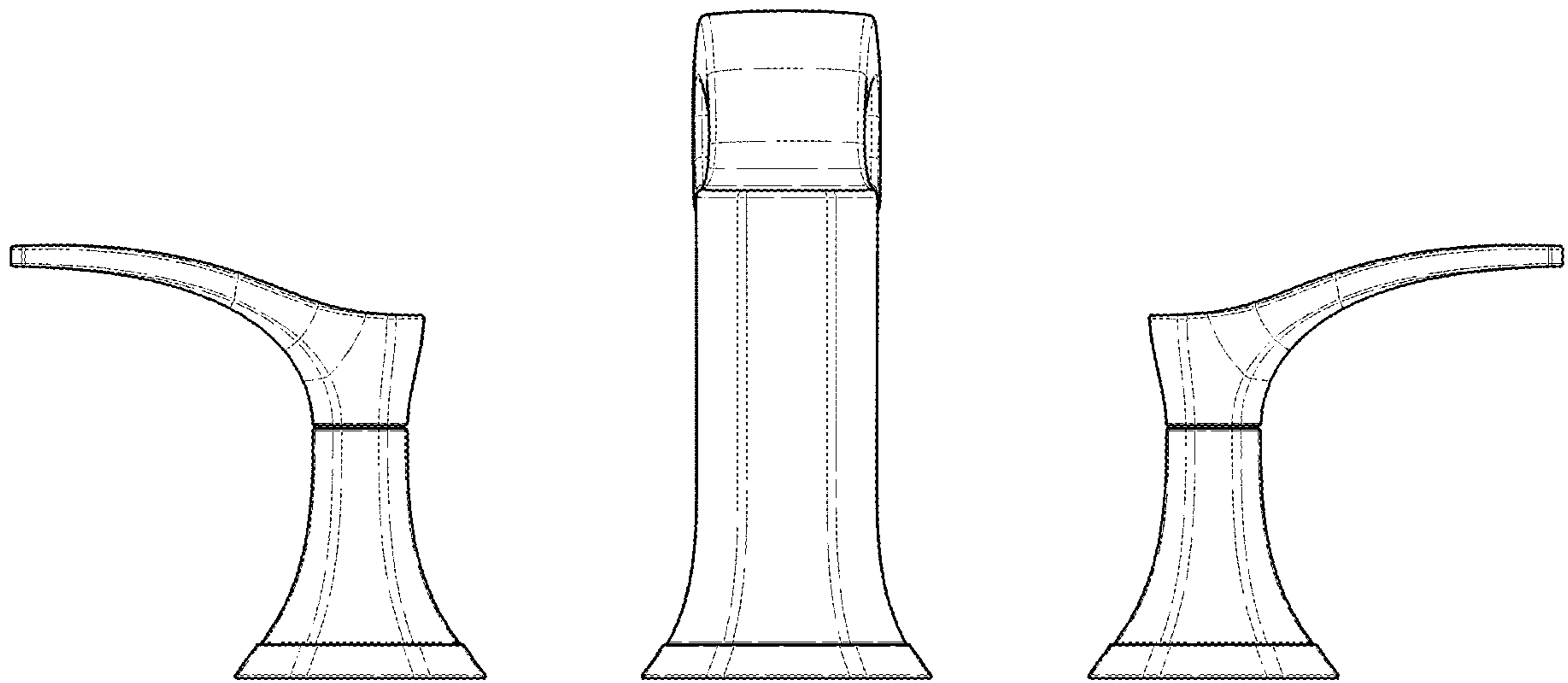


FIG. 4

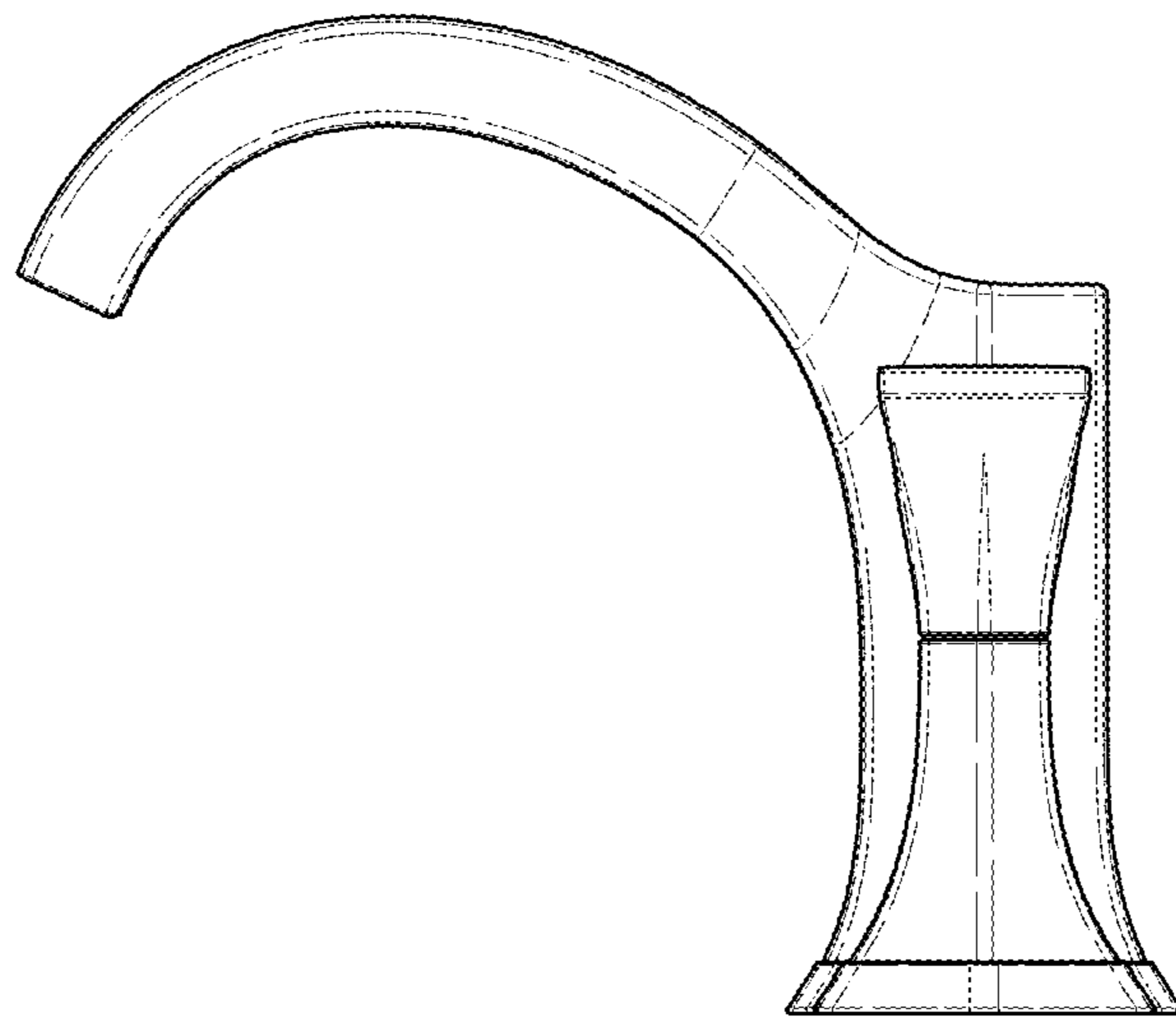


FIG. 5

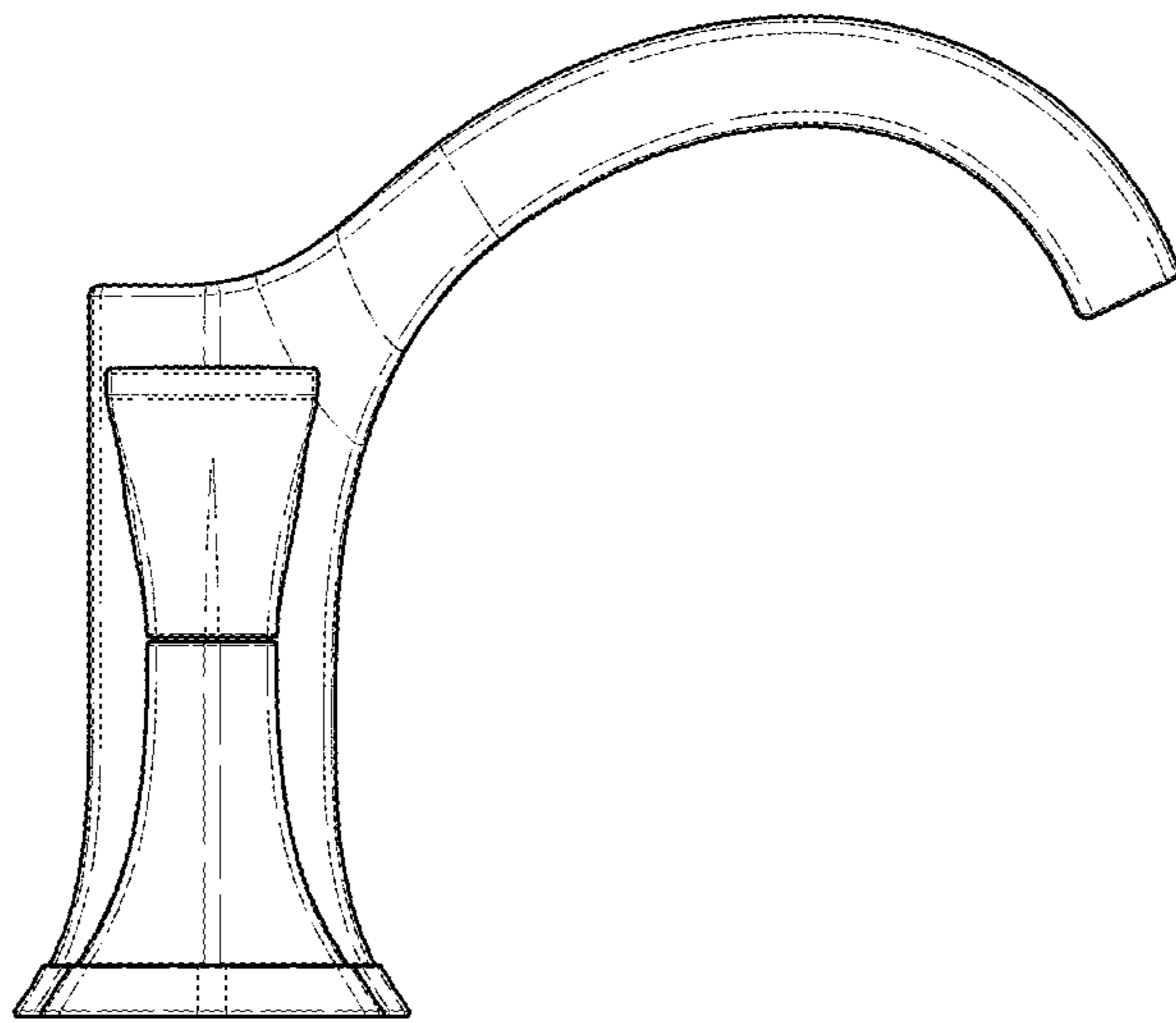


FIG. 6

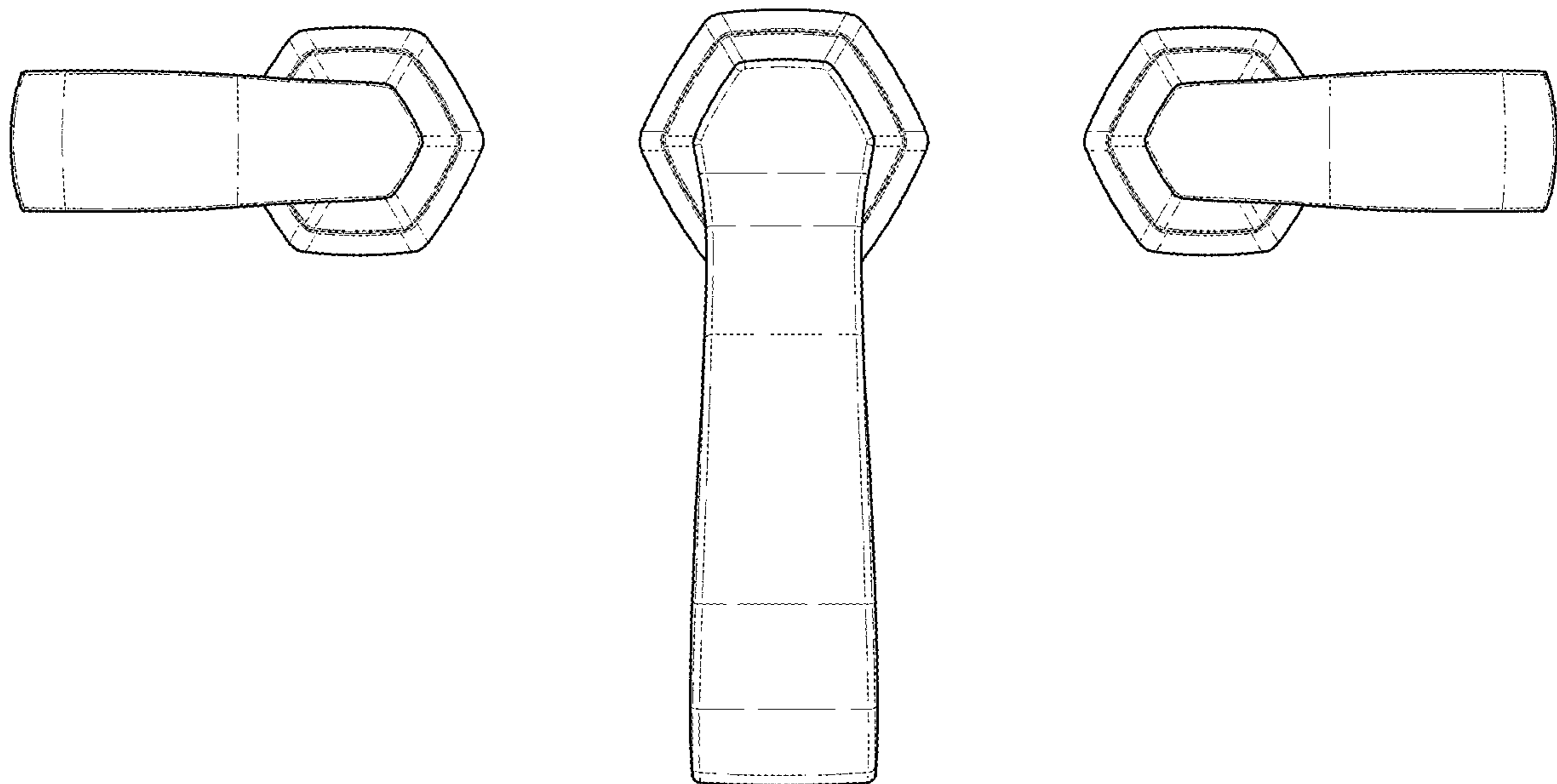


FIG. 7

