



US00D960323S

(12) **United States Design Patent**
Witt et al.

(10) **Patent No.:** **US D960,323 S**

(45) **Date of Patent:** **** Aug. 9, 2022**

(54) **FAUCET**

(71) Applicant: **HANSGROHE SE**, Schiltach (DE)

(72) Inventors: **Alvaro Witt**, Stuttgart (DE); **Andreas Diefenbach**, Ludwigsburg-Ossweil (DE)

(73) Assignee: **Hansgrohe SE**, Schiltach (DE)

(**) Term: **15 Years**

(21) Appl. No.: **29/757,428**

(22) Filed: **Nov. 5, 2020**

(30) **Foreign Application Priority Data**

May 11, 2020 (EM) 007880810-0012

(51) **LOC (13) Cl.** **23-01**

(52) **U.S. Cl.**
USPC **D23/238**

(58) **Field of Classification Search**

USPC D23/257, 249, 254, 259, 255, 233, 234,
D23/235, 236, 237, 238, 240, 241, 242,
D23/243, 250, 251, 252, 253

CPC E03C 1/01; E03C 1/0409; E03C 1/025;
E03C 1/0408; E03C 1/04; E03C 1/0401;
E03C 1/0402; E03C 1/0405; E03C
1/0412; Y10T 137/5339; Y10T 137/6014;
Y10T 137/6021

See application file for complete search history.

(56) **References Cited**

U.S. PATENT DOCUMENTS

D76,904 S * 11/1928 Smith D23/254
D175,819 S * 10/1955 Young D23/252
D300,653 S * 4/1989 Paul D23/255
D522,624 S * 6/2006 Koury D23/252
D524,922 S * 7/2006 Gilbert D23/255

D530,786 S * 10/2006 Gilbert D23/238
D534,990 S * 1/2007 Zhou D23/238
D541,388 S * 4/2007 Dolan D23/255
D574,064 S * 7/2008 Hanna D23/257
D574,470 S * 8/2008 Wolf D23/255
D581,027 S * 11/2008 Dolan D23/255
D581,494 S * 11/2008 Dolan D23/255
D603,023 S * 10/2009 Tippens D23/257
D651,284 S * 12/2011 Flowers et al.
D683,825 S * 6/2013 Sofield D23/255
D709,166 S * 7/2014 Yu D23/238
D718,424 S * 11/2014 Smith D23/255
D733,259 S * 6/2015 Flowers D23/238
D735,298 S * 7/2015 Eads D23/238
D764,631 S * 8/2016 Schoenherr D23/238
D786,403 S * 5/2017 Schoenherr D23/238
D786,404 S * 5/2017 Kaule D23/238

(Continued)

FOREIGN PATENT DOCUMENTS

CN 03362340.6 * 9/2003
EM 001857616-0001 * 5/2011
EM 005218526-0002 5/2018

Primary Examiner — Samantha Wood

(74) *Attorney, Agent, or Firm* — Lora J. Graentzdoerffer

(57) **CLAIM**

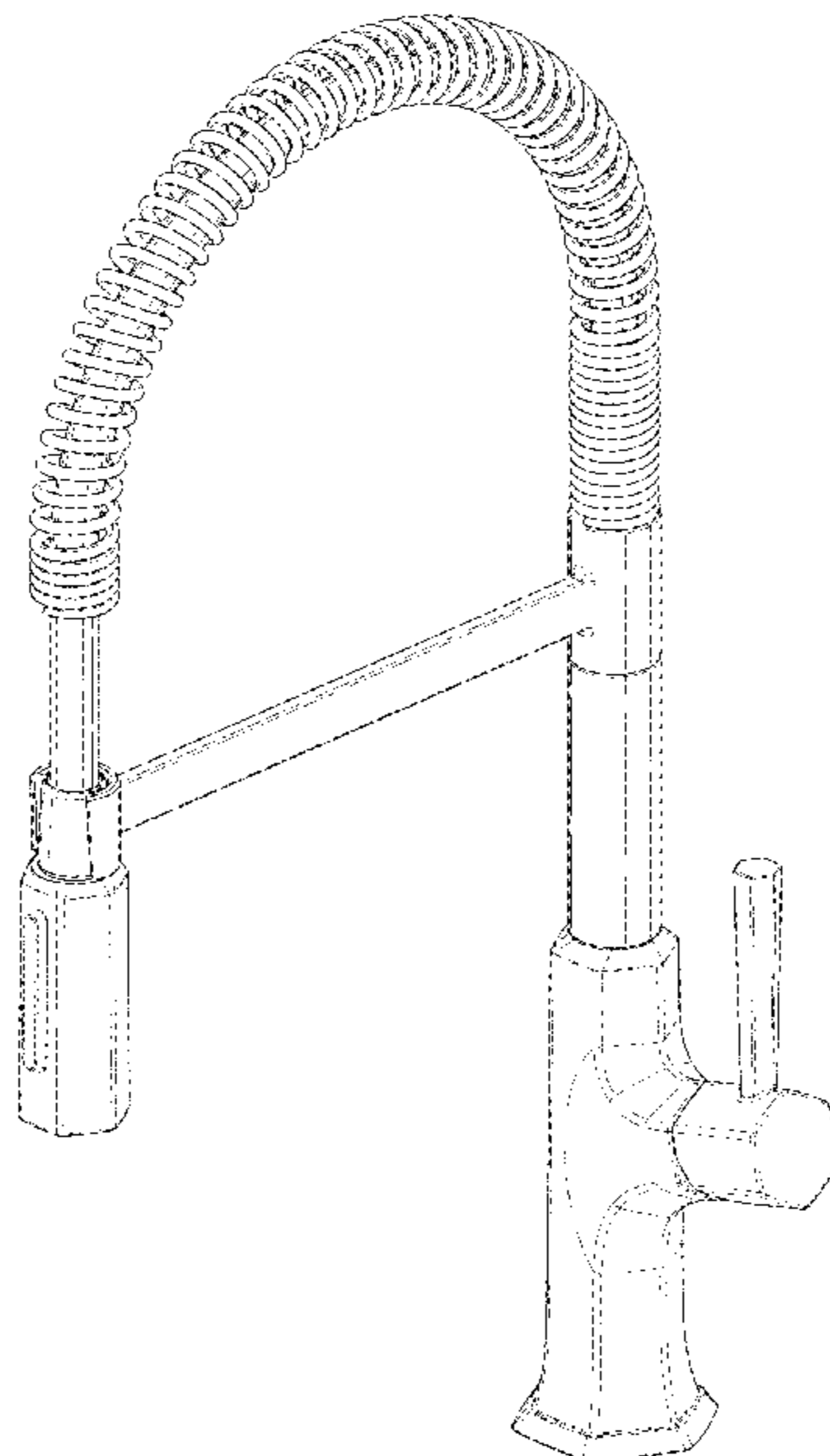
The ornamental design for a faucet, as shown and described.

DESCRIPTION

FIG. 1 is a perspective view of a faucet showing our design; FIG. 2 is a front elevational view; FIG. 3 is a rear elevational view; FIG. 4 is a side elevational view; FIG. 5 is a side elevational view; FIG. 6 is a top plan view; and, FIG. 7 is a bottom plan view.

The broken lines are included for the purpose of illustrating portions of the faucet and form no part of the claimed design.

1 Claim, 7 Drawing Sheets



(56)

References Cited

U.S. PATENT DOCUMENTS

D804,615	S	*	12/2017	Seum	D23/238
D804,616	S	*	12/2017	Flowers	D23/238
D829,865	S	*	10/2018	Georgeson	D23/238
D834,148	S	*	11/2018	Thomas	D23/242
D867,537	S	*	11/2019	Garland	D23/242
D867,546	S	*	11/2019	Kaule	D23/255
D868,211	S	*	11/2019	Garland	D23/238
10,519,635	B2	*	12/2019	Fourman	F16K 19/006
D884,123	S	*	5/2020	Eads	D23/238
D904,576	S	*	12/2020	Levi	D23/255

* cited by examiner

FIG. 1

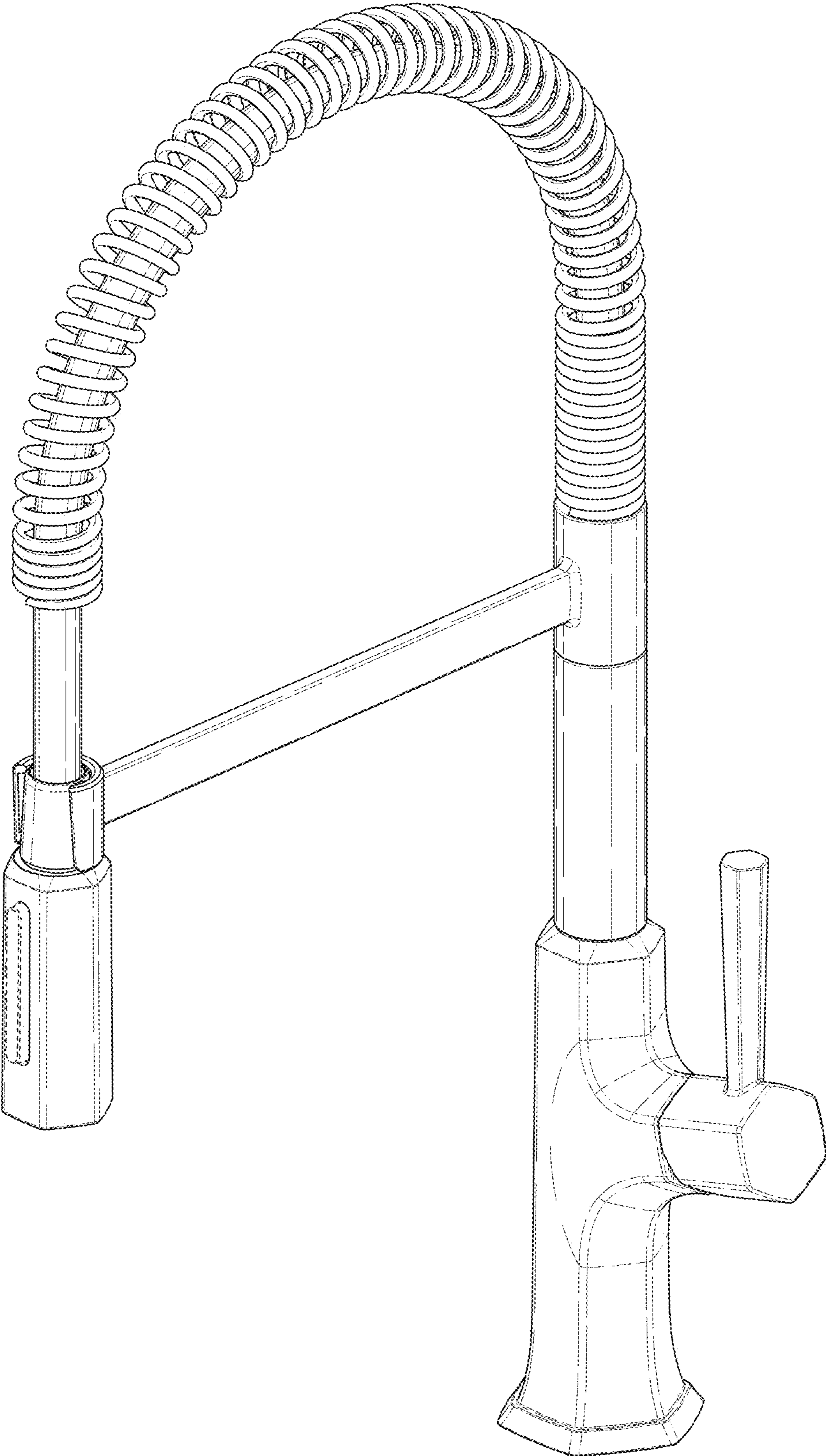


FIG. 2

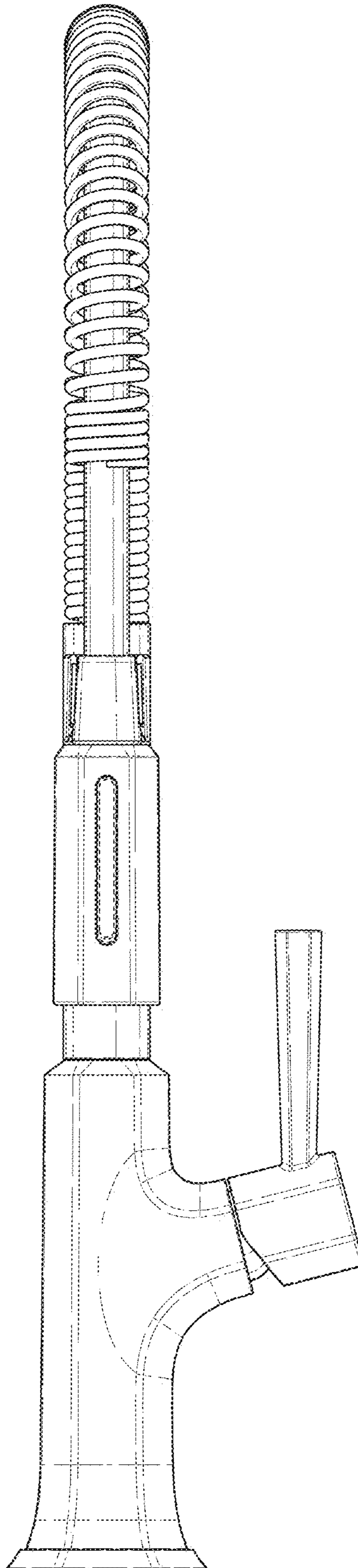


FIG. 3

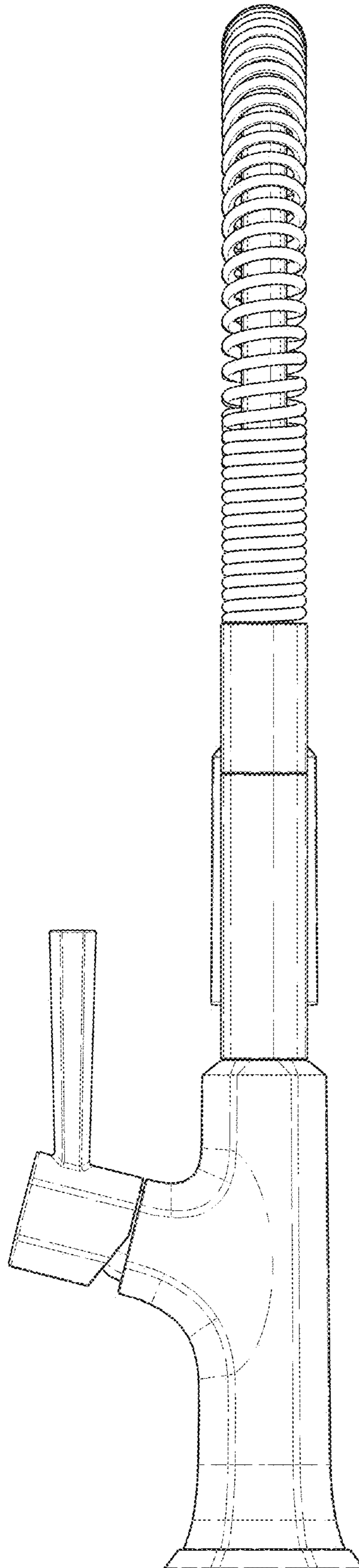


FIG. 4

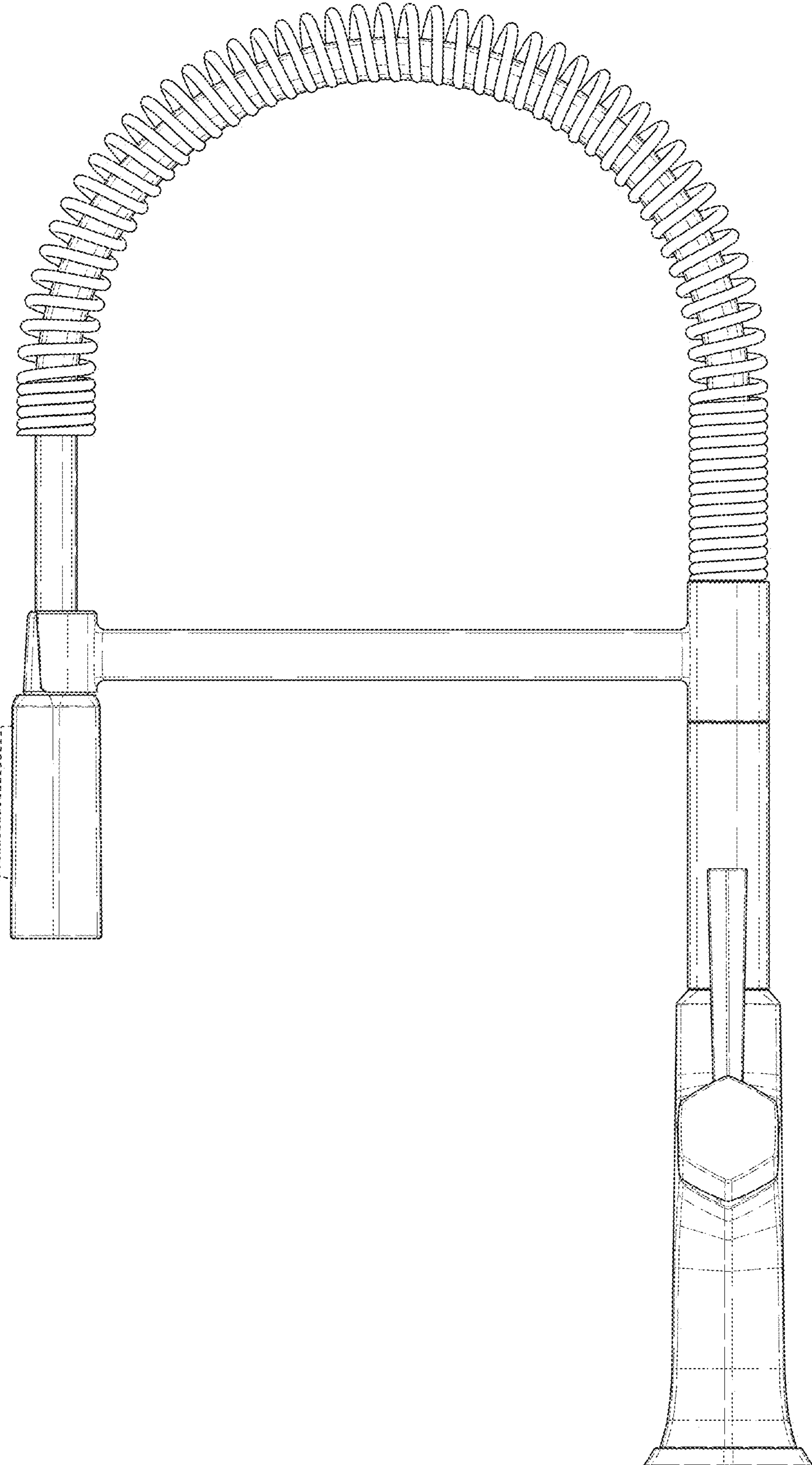


FIG. 5

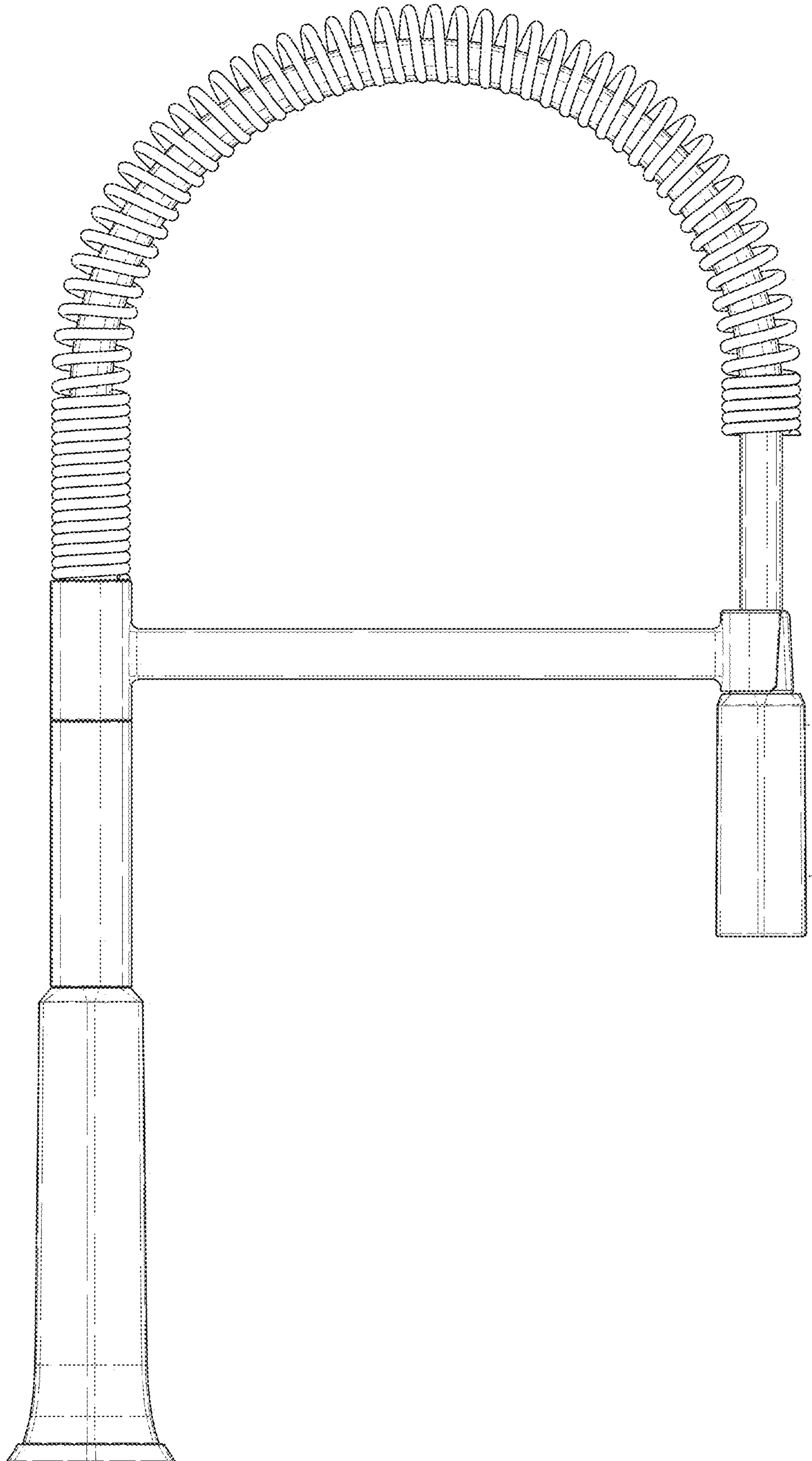


FIG. 6

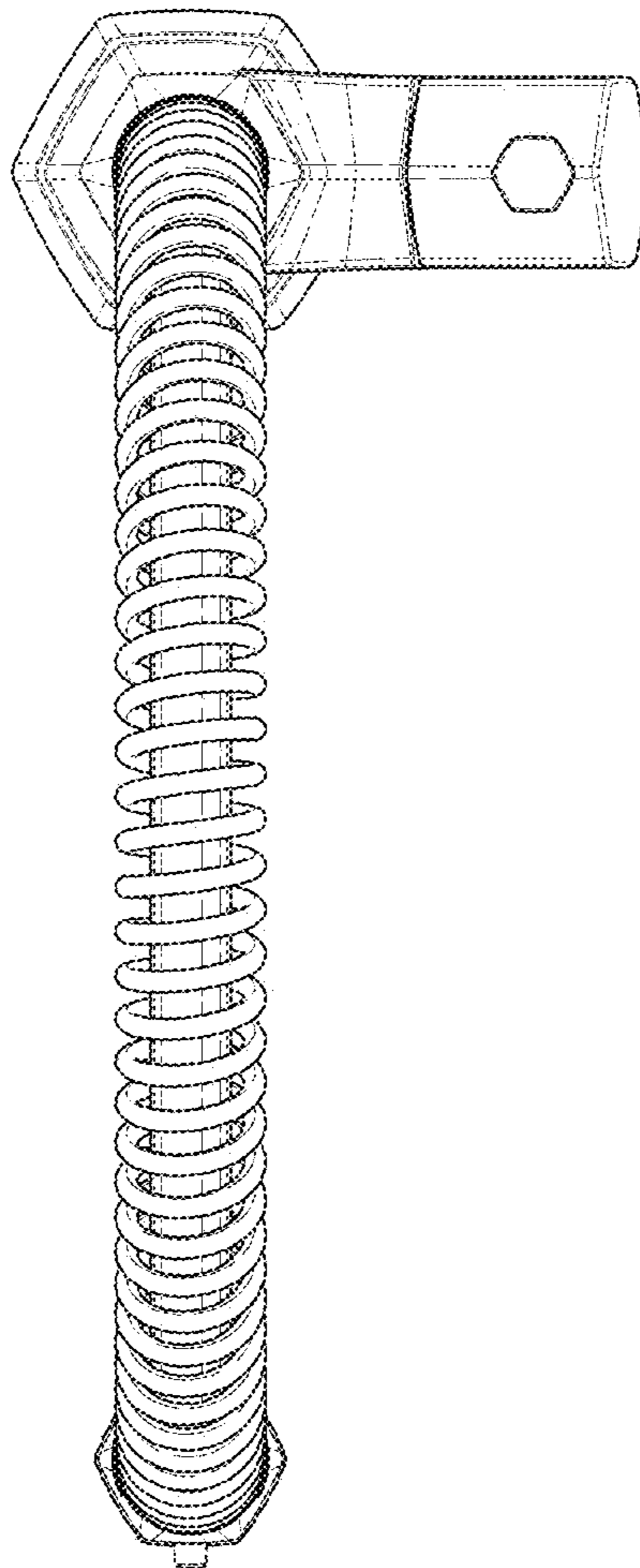


FIG. 7

