



US00D960322S

(12) **United States Design Patent** (10) **Patent No.:** **US D960,322 S**  
**Kuppert et al.** (45) **Date of Patent:** **\*\* Aug. 9, 2022**

(54) **FAUCET**

D479,579 S \* 9/2003 Haug ..... D23/238  
D517,647 S \* 3/2006 Kulig ..... D23/238  
D527,076 S \* 8/2006 Kolin ..... D23/242

(Continued)

(71) Applicant: **Grohe AG**, Hemer (DE)

(72) Inventors: **Christoph Kuppert**, Cologne (DE);  
**Patrick de Arins Speck**, London (GB)

**FOREIGN PATENT DOCUMENTS**

(73) Assignee: **Grohe AG**, Hemer (DE)

CN 201430284990 \* 8/2014  
CN 201530284707 \* 7/2015

(Continued)

(\*\*) Term: **15 Years**

**OTHER PUBLICATIONS**

(21) Appl. No.: **29/750,990**

Amazon, Bristan 2-Handle Basin Mixer, posted Feb. 14, 2010, [online], [visited Feb. 18, 2022], Internet, <URL: <https://www.amazon.co.uk/Bristan-PM-BAS2-Prism-2-Handle/dp/B0042X728O/ref>> (Year: 2010).\*

(Continued)

(22) Filed: **Sep. 17, 2020**

(30) **Foreign Application Priority Data**

Mar. 17, 2020 (EM) ..... 007758214-0002

(51) **LOC (13) Cl.** ..... **23-01**

(52) **U.S. Cl.**  
USPC ..... **D23/238**

(58) **Field of Classification Search**  
USPC ..... D23/238, 239, 240, 241, 242, 243, 246,  
D23/247, 248, 249, 250, 251, 252, 253,  
D23/254, 255, 256, 257

CPC . E03C 1/01; E03C 1/0409; E03C 1/04; E03C  
1/0401; E03C 1/025; E03C 1/0408; E03C  
1/0402; E03C 1/0405; E03C 1/0412;  
Y10T 137/5339; Y10T 137/6014; Y10T  
137/6021

See application file for complete search history.

*Primary Examiner* — Samantha Wood

(74) *Attorney, Agent, or Firm* — Muncy, Geissler, Olds & Lowe, P.C.

(57) **CLAIM**

The ornamental design for a faucet, as shown and described.

**DESCRIPTION**

FIG. 1 is a front perspective view of a faucet according to the present invention.

FIG. 2 is a front view of the faucet of FIG. 1.

FIG. 3 is a rear view of the faucet of FIG. 1.

FIG. 4 is a left side view of the faucet of FIG. 1.

FIG. 5 is a right side view of the faucet of FIG. 1.

FIG. 6 is a top view of the faucet of FIG. 1; and,

FIG. 7 is a bottom view of the faucet of FIG. 1.

The dashed lines illustrate environment that does not form a part of the present invention, and no claim is made to the material illustrated with dashed lines.

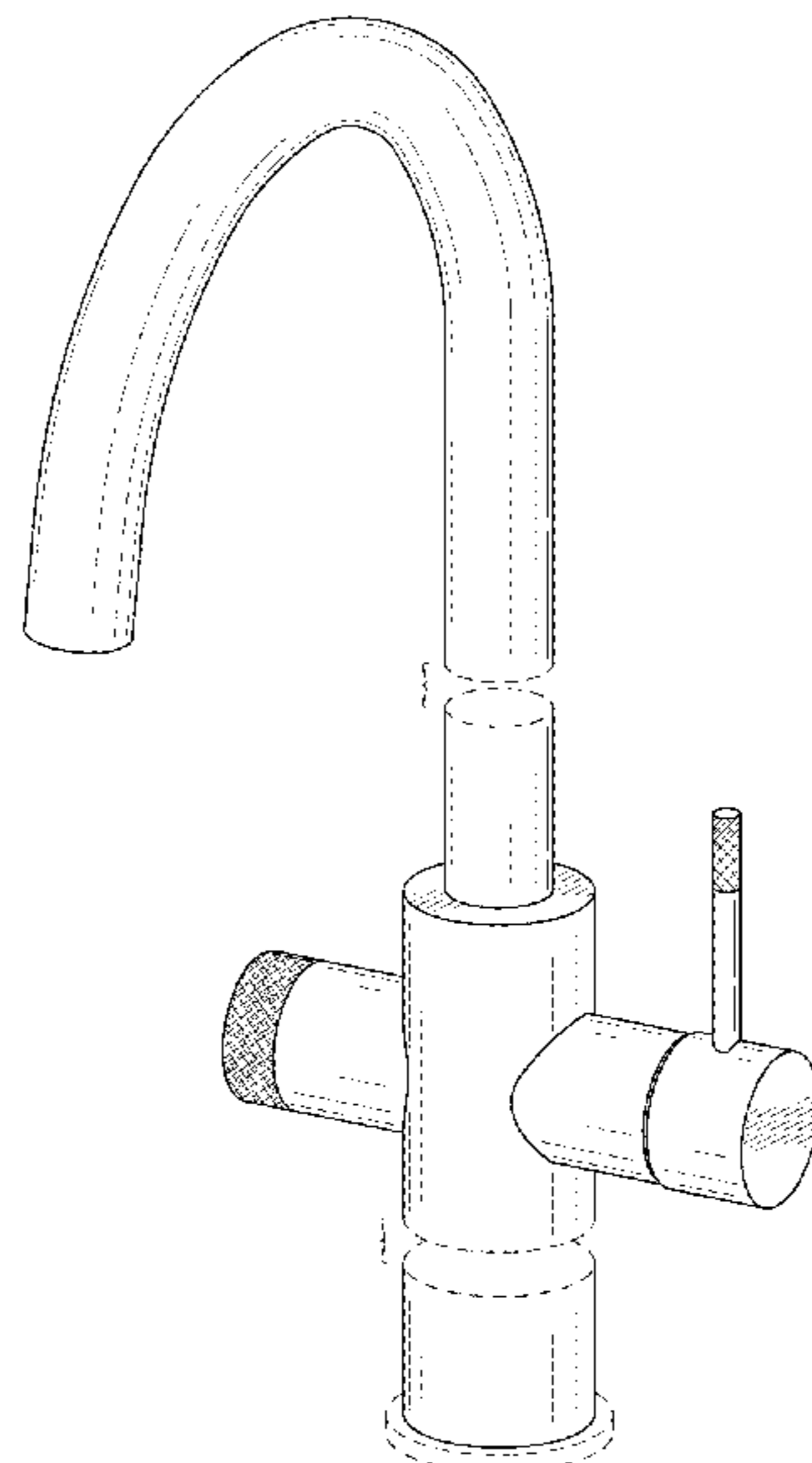
The faucet is shown with a symbolic break in its length. The appearance of any portion of the article between the break lines forms no part of the claimed design.

**1 Claim, 7 Drawing Sheets**

(56) **References Cited**

**U.S. PATENT DOCUMENTS**

D312,300 S \* 11/1990 Joerger ..... D23/241  
D377,679 S \* 1/1997 Gottwald ..... D23/238  
D456,878 S \* 5/2002 Gottwald ..... D23/238  
D457,224 S \* 5/2002 Gottwald ..... D23/243  
D461,540 S \* 8/2002 Gottwald ..... D23/257  
D479,309 S \* 9/2003 Haug ..... D23/238



(56)

References Cited

U.S. PATENT DOCUMENTS

D531,698 S \* 11/2006 Wood ..... D23/238  
 D564,634 S \* 3/2008 Kirar ..... D23/255  
 D575,848 S \* 8/2008 Kirar ..... D23/238  
 D587,342 S \* 2/2009 Sorzio ..... D23/238  
 D611,124 S \* 3/2010 Schoenherr ..... D23/238  
 D632,364 S \* 2/2011 Choi ..... D23/238  
 D635,648 S \* 4/2011 Schoenherr ..... D23/255  
 D645,120 S \* 9/2011 Lammel ..... D23/238  
 D658,744 S \* 5/2012 Starck ..... D23/238  
 D697,588 S \* 1/2014 Schoenherr ..... D23/238  
 D724,698 S \* 3/2015 Kulig ..... D23/252  
 D787,640 S \* 5/2017 Kirar ..... D23/252  
 9,739,040 B2 \* 8/2017 Gnauert ..... E03C 1/0412  
 D802,722 S \* 11/2017 Flowers ..... D23/252  
 10,066,375 B2 \* 9/2018 Kostorz ..... E03C 1/0403  
 D846,077 S \* 4/2019 Liu ..... D23/238  
 D865,913 S \* 11/2019 Soulier ..... D23/241  
 D871,545 S \* 12/2019 Wang ..... D23/238  
 D912,770 S \* 3/2021 Soulier ..... D23/238

D919,050 S \* 5/2021 Sieger ..... D23/238  
 2012/0312401 A1 \* 12/2012 Gioira ..... E03C 1/04  
 285/125.1  
 2018/0080203 A1 \* 3/2018 Frye ..... E03C 1/04

FOREIGN PATENT DOCUMENTS

CN 201530507244 \* 12/2015  
 CN 201630390508 \* 8/2016

OTHER PUBLICATIONS

Amazon, Bathwest Kitchen MixerTap, posted Dec. 17, 2021, [online],  
 [visited Feb. 18, 2022], Internet, <URL: <https://www.amazon.co.uk/BATHWEST-360%C2%B0Swivel-Monobloc-Advanced-Multi-Layer/dp/B09KRSDBP3/ref>> (Year: 2021).\*

Amazon, Arputhy 3 Way Kitchen Tap, posted Sep. 9, 2019, [online],  
 [visited Feb. 24, 2022], Internet, <URL: <https://www.amazon.co.uk/dp/B07XQCHTY1/ref>> (Year: 2019).\*

\* cited by examiner

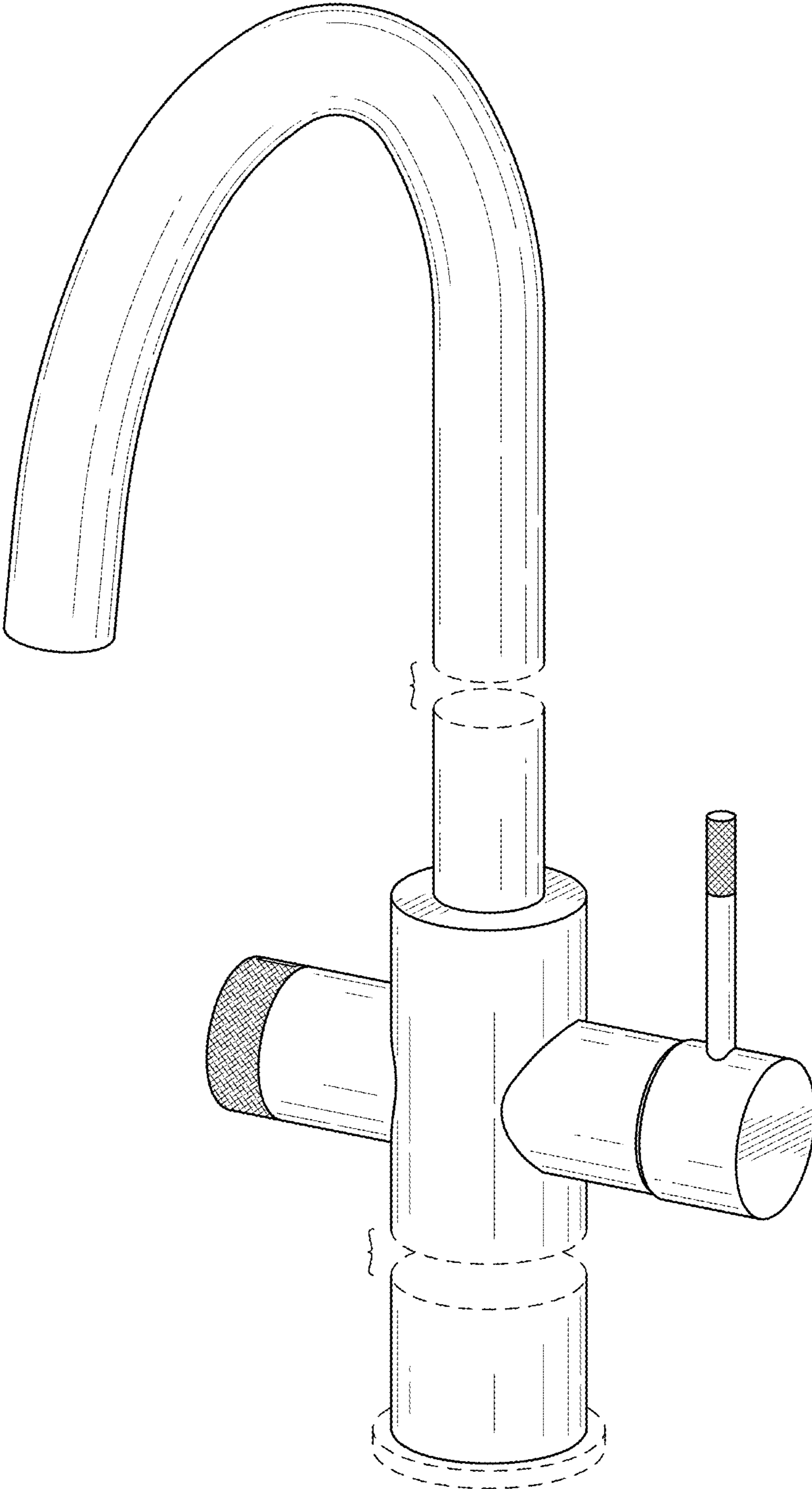


FIG. 1

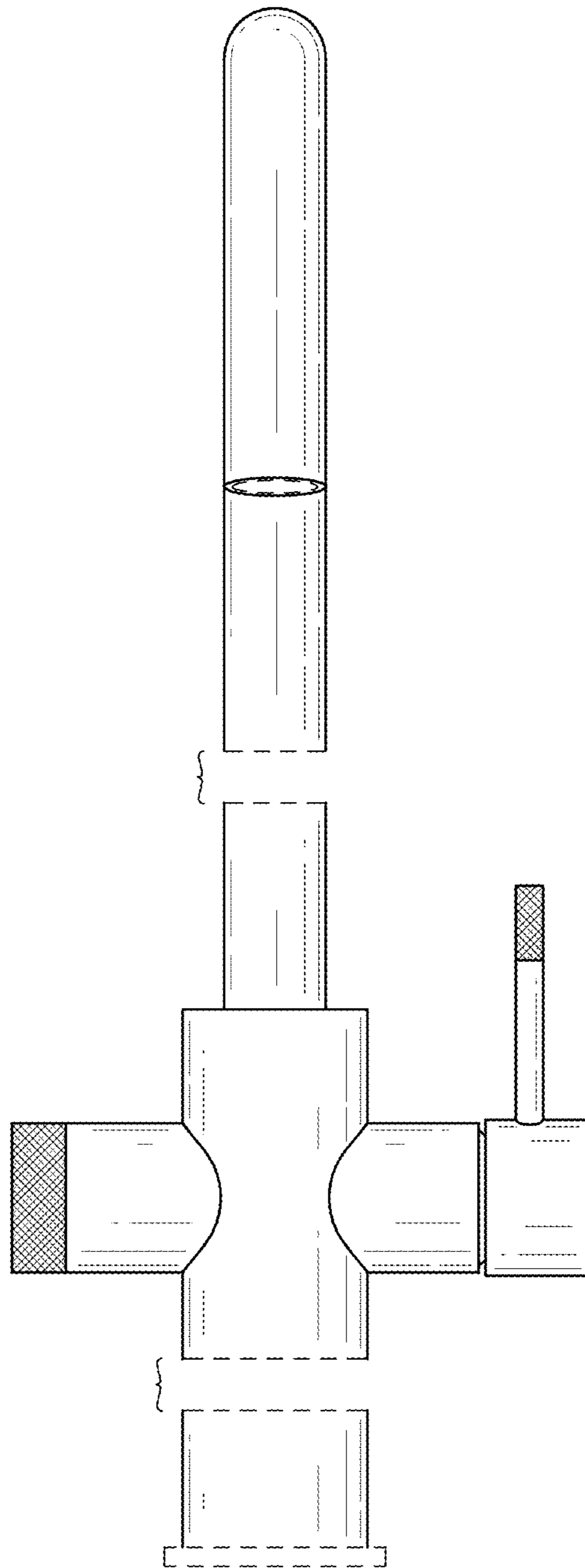


FIG.2

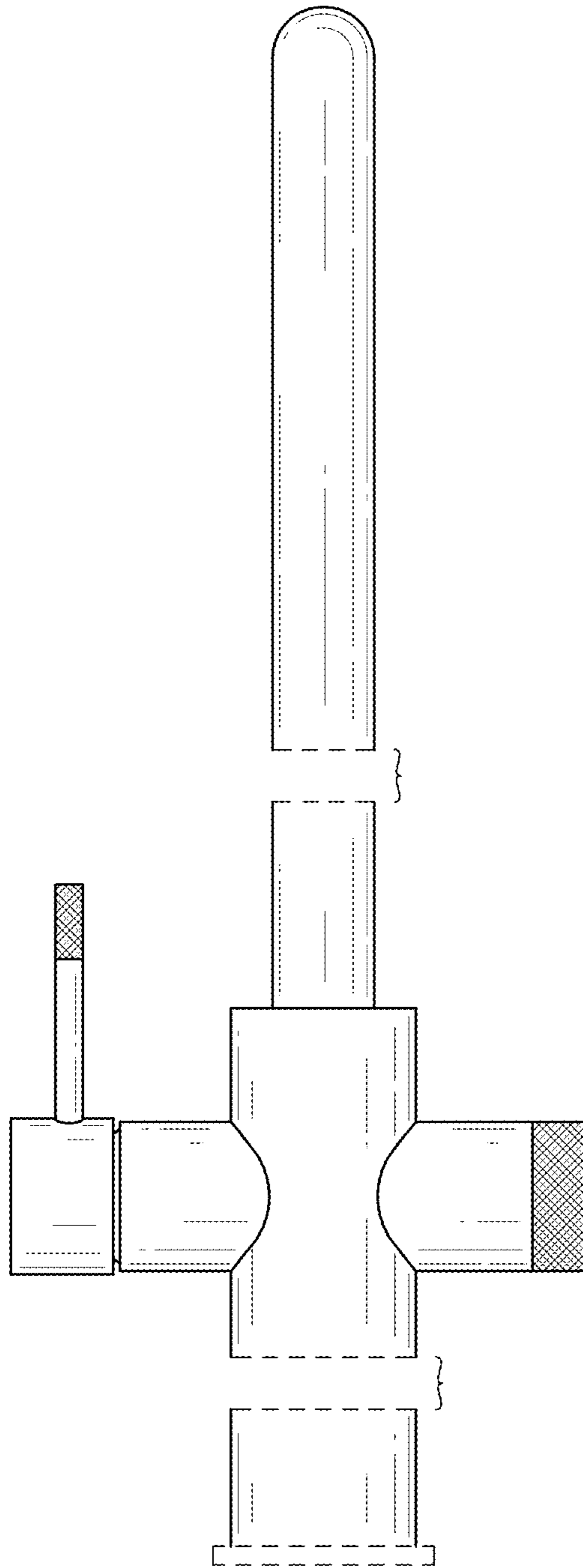


FIG.3

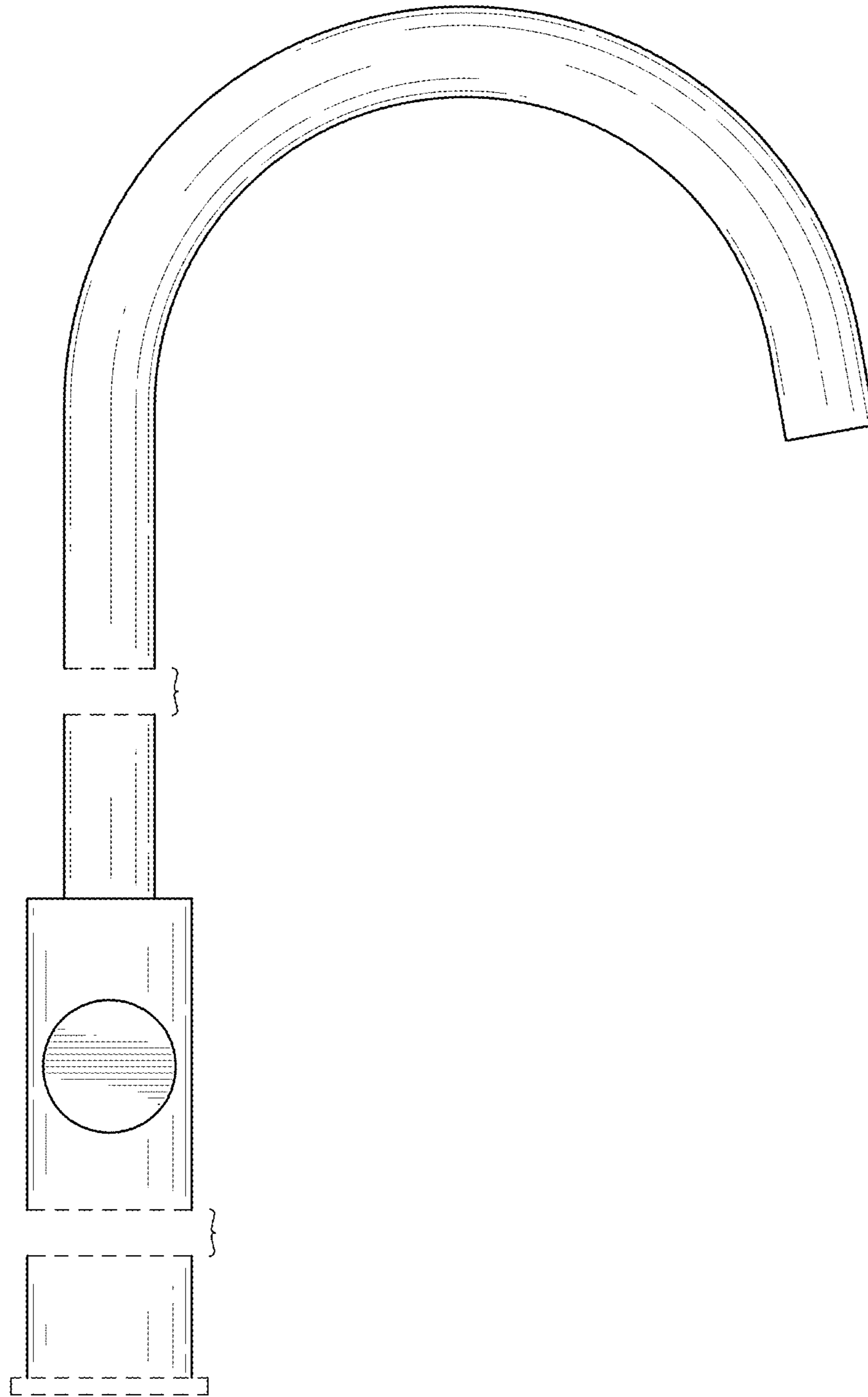


FIG.4



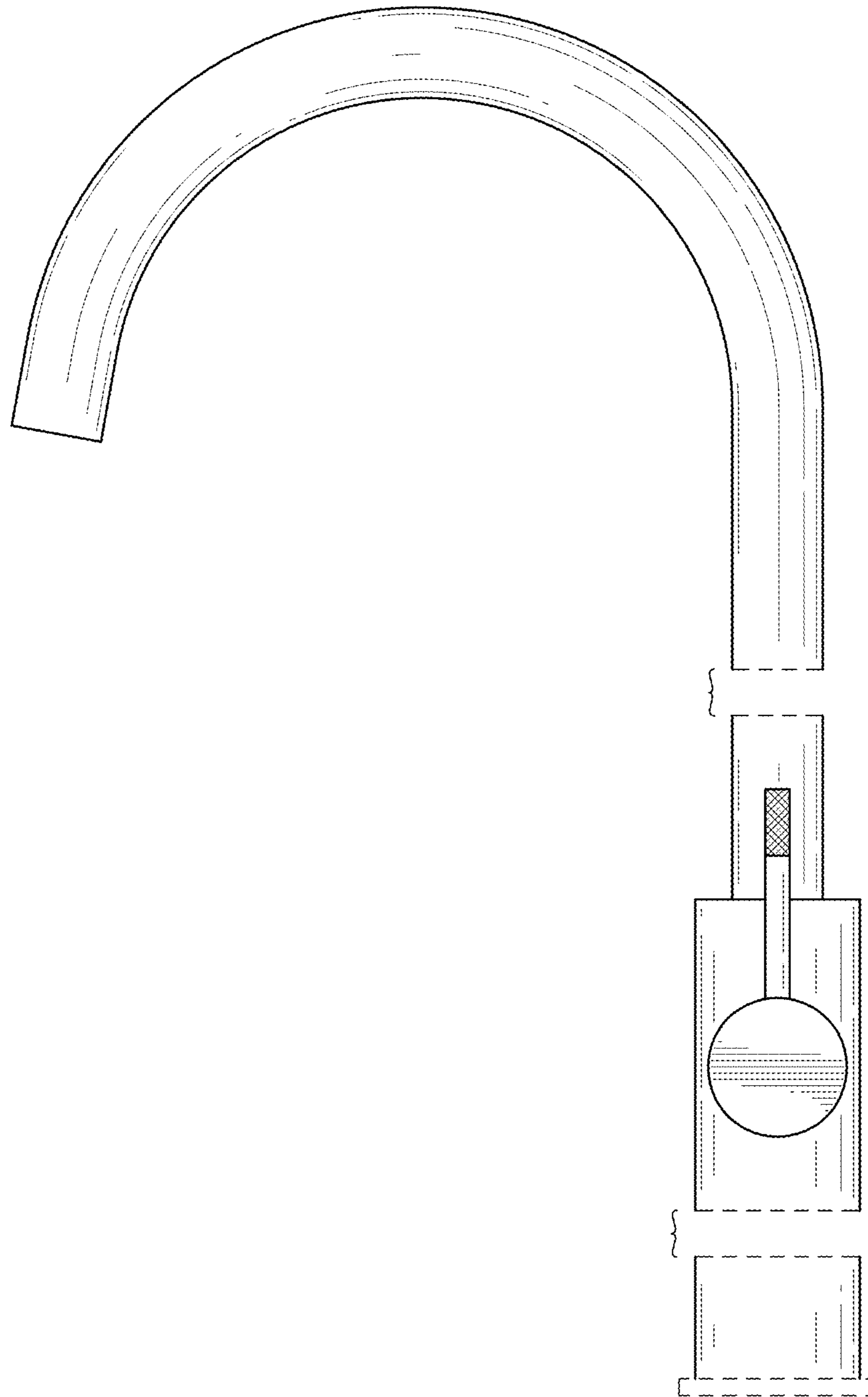


FIG.5

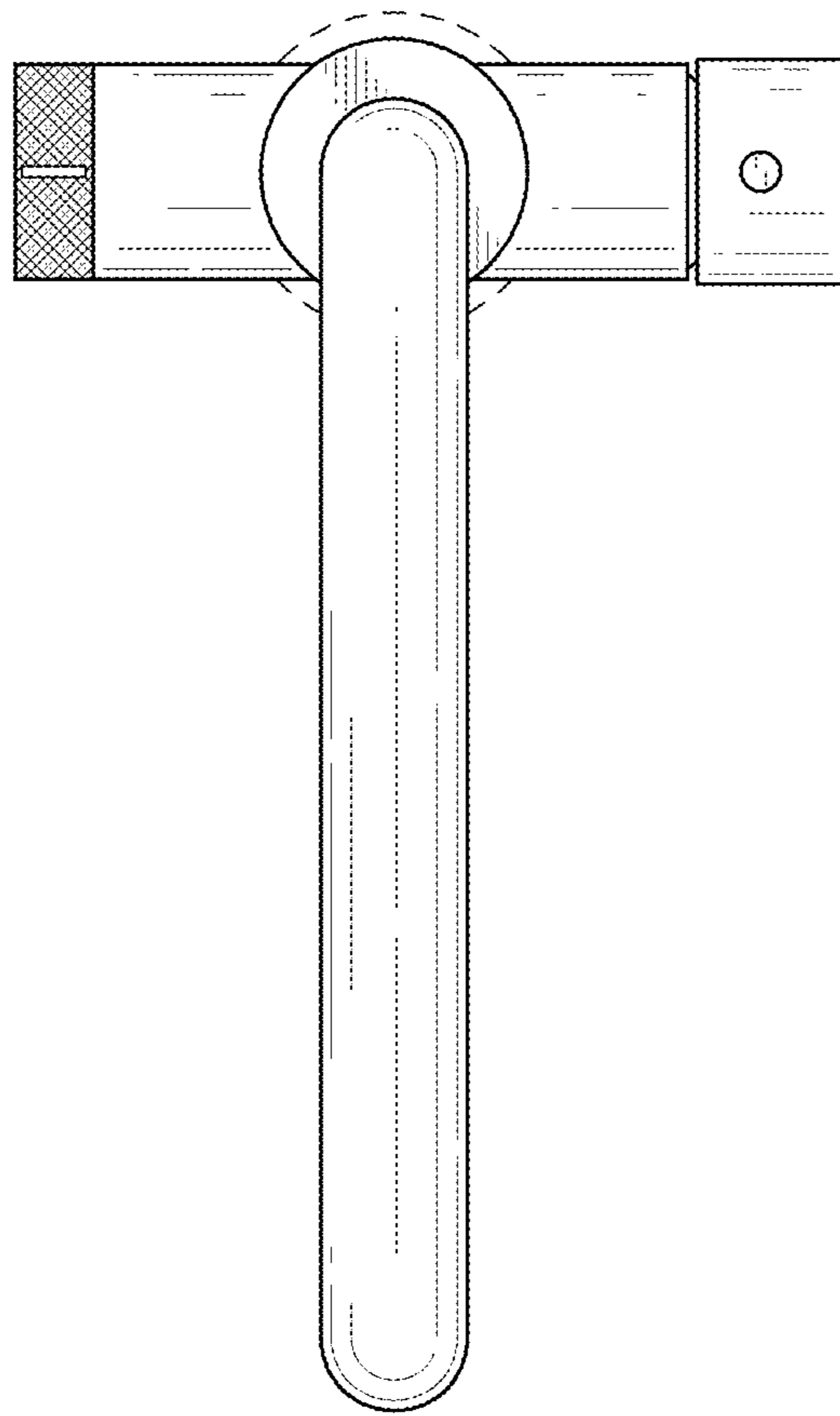


FIG.6



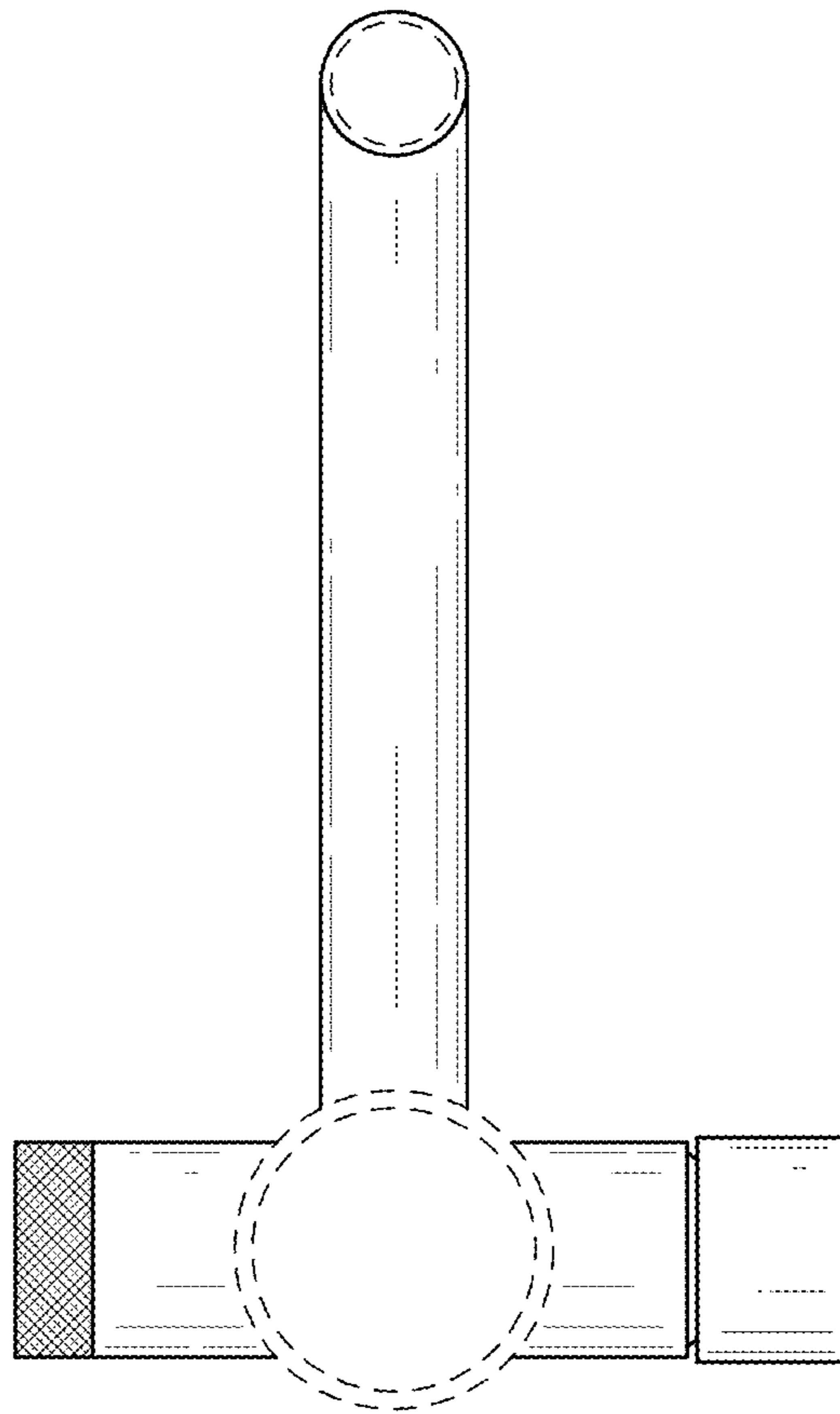


FIG.7